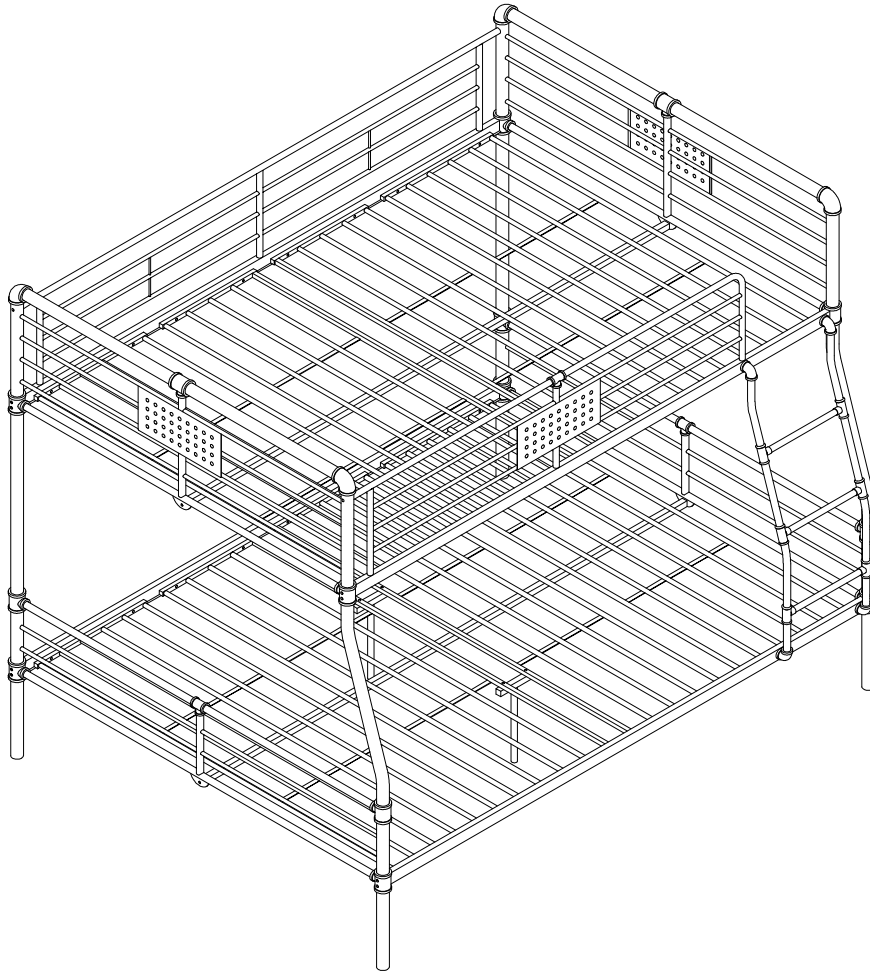


Furniture of America[®]

Assembly Instructions

CM-BK913FQ

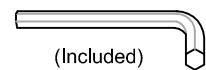


ASSEMBLY RATING

The Assembly Rating is a 5-point system that shows the degree of effort needed in assembling a specific product (with 1 being easy and 5 being difficult). For some products, two persons are recommended.

Tools Required For Assembly:

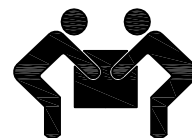
Allen Wrench



EASY



DIFFICULT



2 PERSONS RECOMMENDED

ASSEMBLY & CARE ADVICE

FOR YOUR FURNITURE TO LAST, CORRECT ASSEMBLY AND PROPER MAINTENANCE ARE NECESSARY. PLEASE FOLLOW THE INFORMATION PROVIDED BELOW TO FULLY ENJOY YOUR FURNITURE.

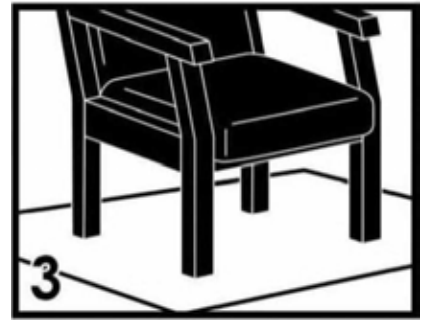
BASIC ASSEMBLY TECHNIQUES



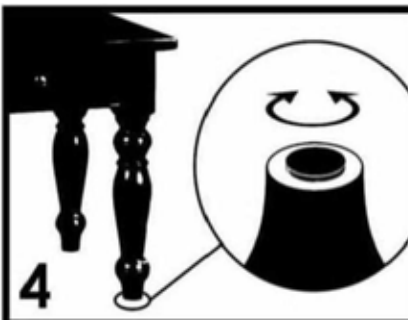
When lock or spring washer is used in an assembly, please make sure the lock or spring washer is placed between the larger flat washer and the head of the screw or bolt.



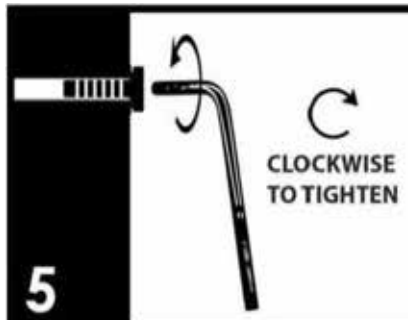
Position each part correctly and insert screws or bolts into their respective holes by hand tighten or using the proper hand tool. Only tighten when step is completed or when instructed to do so.



Use cardboard or carpet area when assembling furniture to prevent scratches. Make sure the furniture rests on a flat and level surface with each leg evenly touching the floor.



Some furniture comes with height adjustment knobs underneath each leg. To lower or to raise each leg, you need to turn clockwise or counterclockwise, respectively.

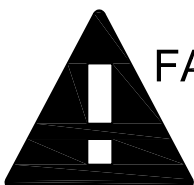


Make sure all parts are properly aligned, then use the appropriate hand tool to completely tighten the bolts or screws. Do not use power tools and do not overtighten.



Save the instructions and store the Allen wrench or any supplied tool for later maintenance. After two weeks, check and tighten any loose hardware and repeat again every six months thereafter.

IT IS THE USER'S RESPONSIBILITY TO MAINTAIN THE FURNITURE. THE HARDWARE MAY LOOSEN OVER TIME AND MAY CAUSE THE FURNITURE TO BE WOBBLY AND UNABLE TO SUPPORT ITS INTENDED WEIGHT CAPACITY. THIS MAY LEAD TO COLLAPSE AND MAY CAUSE SERIOUS INJURY.



FAILURE TO FOLLOW THE GUIDELINES ABOVE MAY RESULT IN INJURY AND/OR PROPERTY DAMAGE.



Before you begin, please read Page 2 of "Assembly and Care Advice".

And remember, do not tighten until each step is completed or instructed.

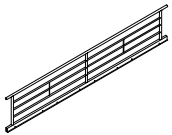
Parts List



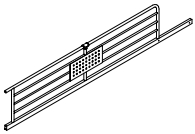
#1 x 1pc Left
Left Head Panel



#2 x 1pc Right
Right Head Panel



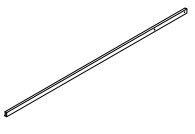
#3 x 1pc
Back Guardrail



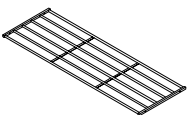
#4 x 1pc
Front Guardrail



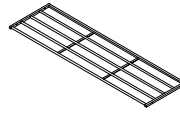
#5 x 1pc
Lower Rear Tube



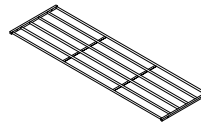
#6 x 1pc
Lower Front Tube



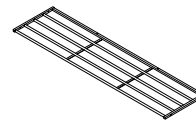
#7 x 2pcs
Upper End Bed Frame



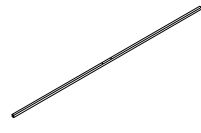
#8 x 2pcs
Upper Middle Bed Frame



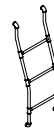
#9 x 2pcs
Lower End Bed Frame



#10x 2pcs
Lower Middle Bed Frame



#11 x 2pcs
Lower Center Tube



#12 x 1pc
Ladder



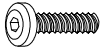
#13 x 2pcs
Support Leg



Before you begin, please read Page 2 of "Assembly and Care Advice".

And remember, do not tighten until each step is completed or instructed.

Hardware List



#A x 40pcs
Bolt 1/4"x1"



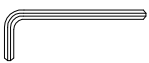
#B x 4pcs
Bolt 1/4"x1-1/8"



#C x 4pcs
Bolt 1/4"x1-3/8"

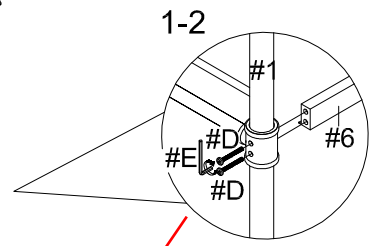
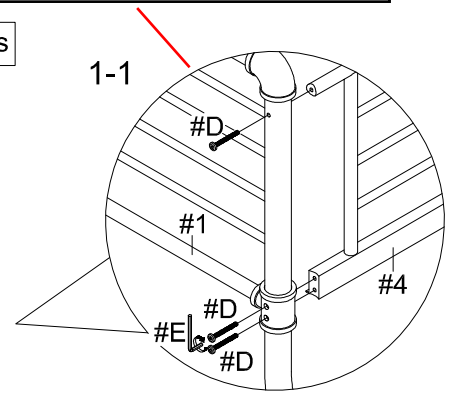
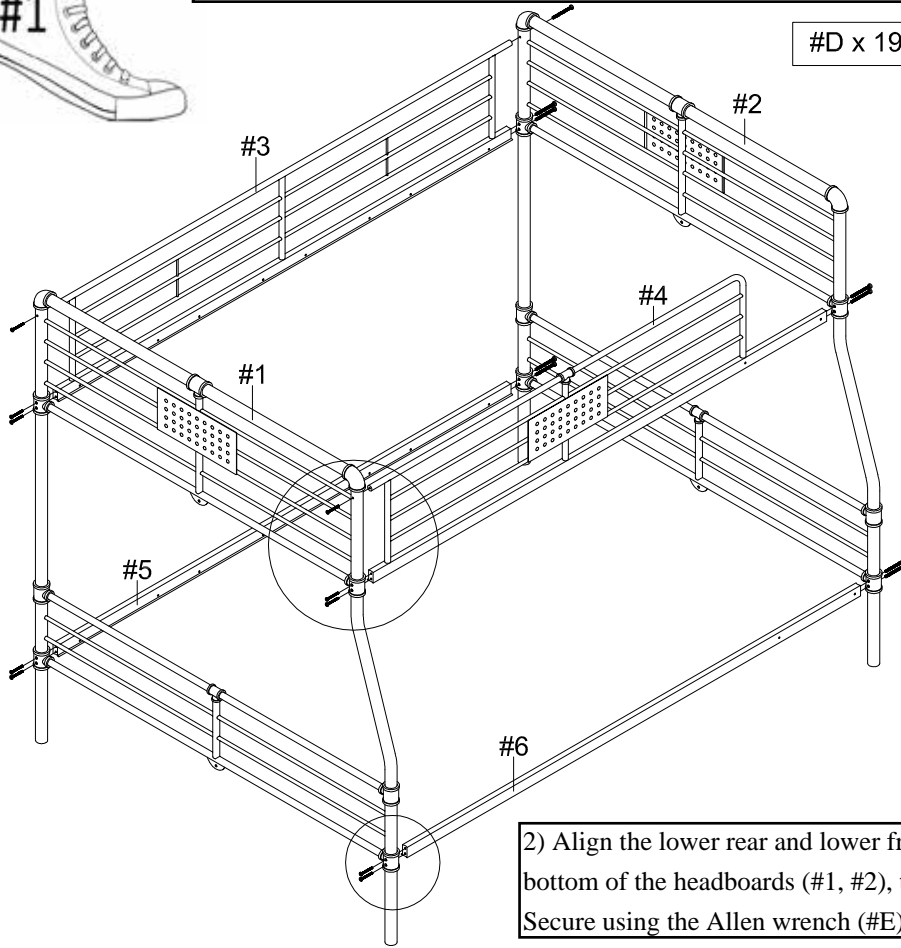


#D x 19pcs
Bolt 1/4"x3"

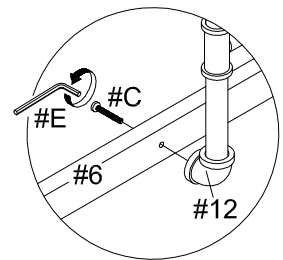
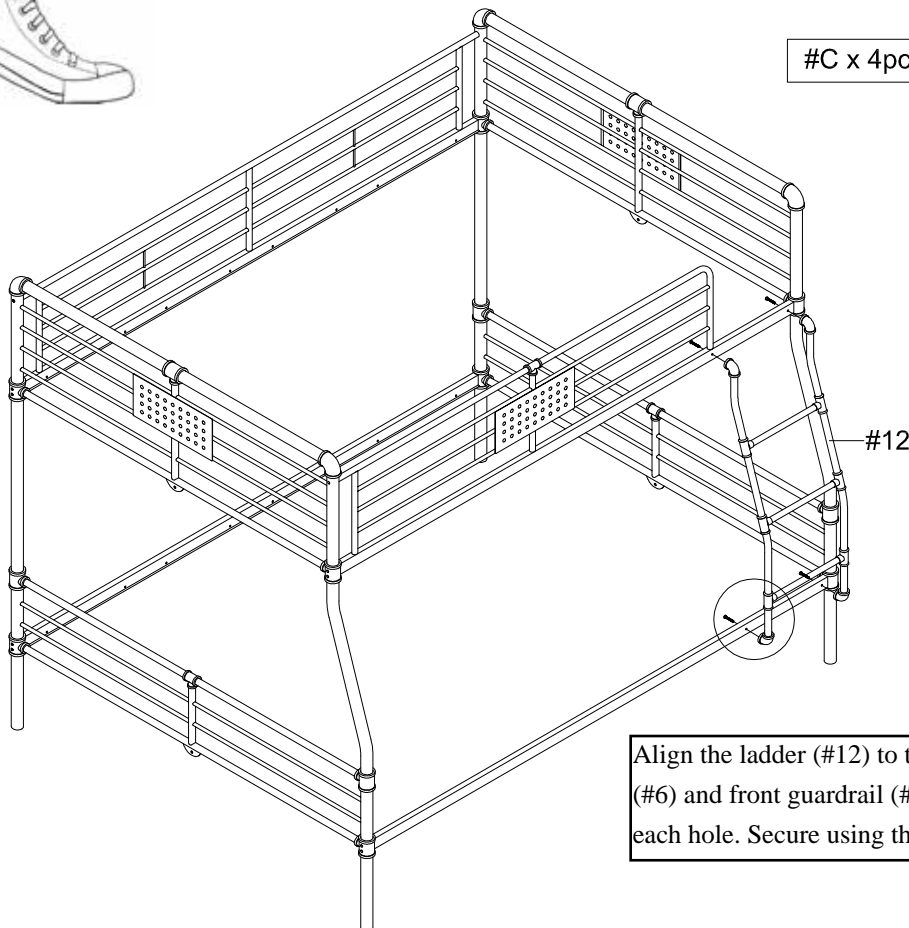


#E x 1pc
Allen Wrench M4

1) Align the back and front guardrail (#3, #4) to the holes along the upper half of the headboards (#1, #2), then insert the bolts (#D) into each hole. Secure using the Allen wrench (#E).



2) Align the lower rear and lower front tube (#5, #6) to the holes along the bottom of the headboards (#1, #2), then insert the bolts (#D) into each hole. Secure using the Allen wrench (#E).

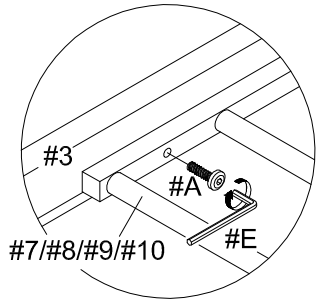
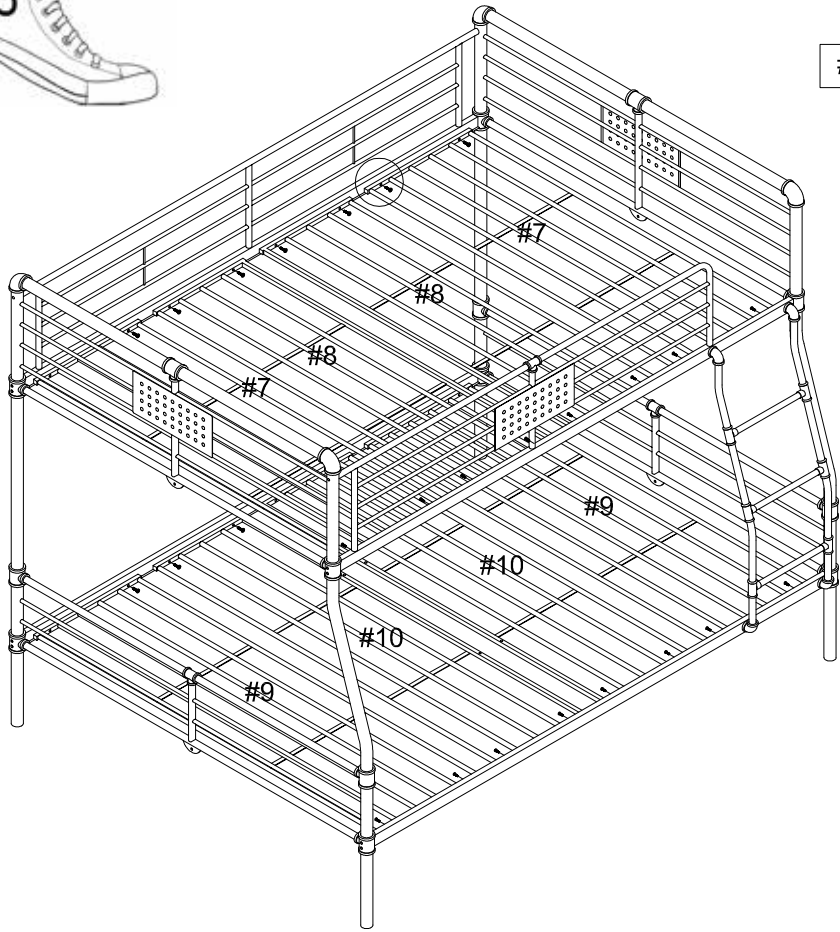


Align the ladder (#12) to the holes of the lower front tube (#6) and front guardrail (#4), then insert the bolts (#C) into each hole. Secure using the Allen wrench (#E).



#3

#A x 32pcs

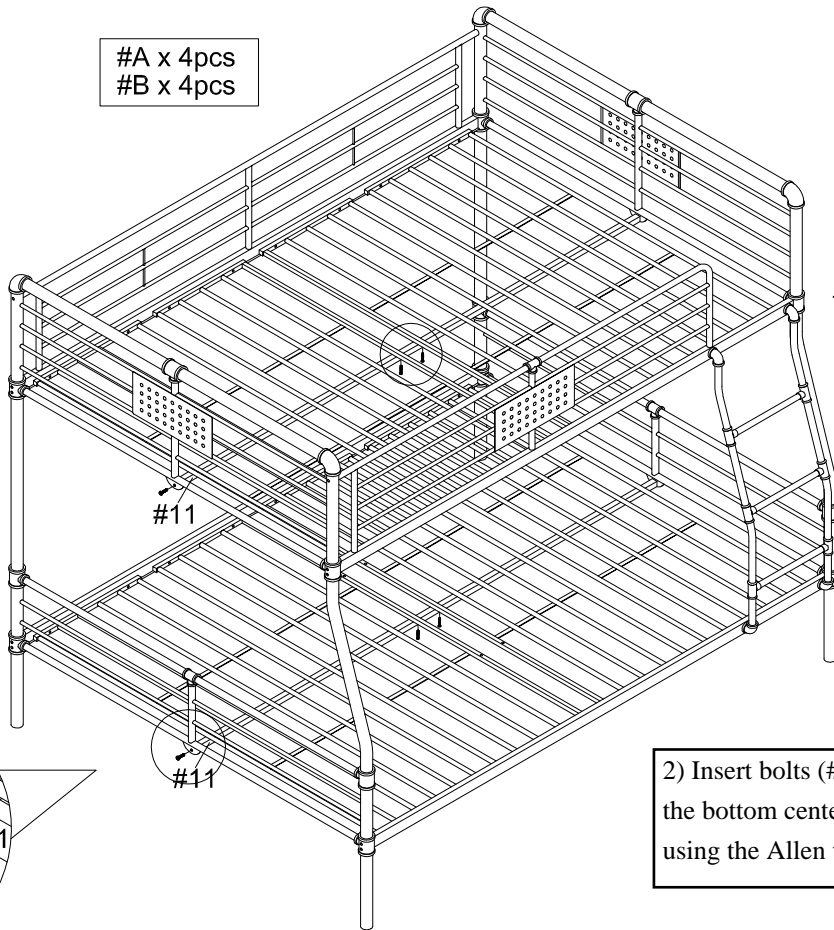


Align the bed frames (#7, #8, #9, #10) to the holes indicated, then insert the bolts (#A) into each hole. Secure using the Allen wrench (#E).

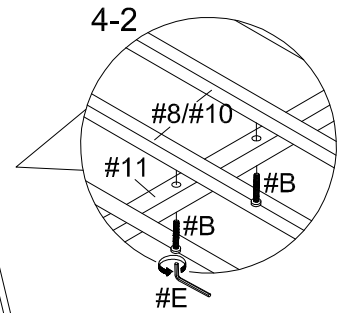


#4

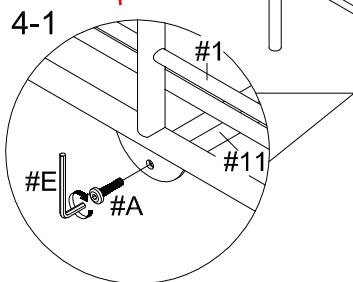
#A x 4pcs
#B x 4pcs

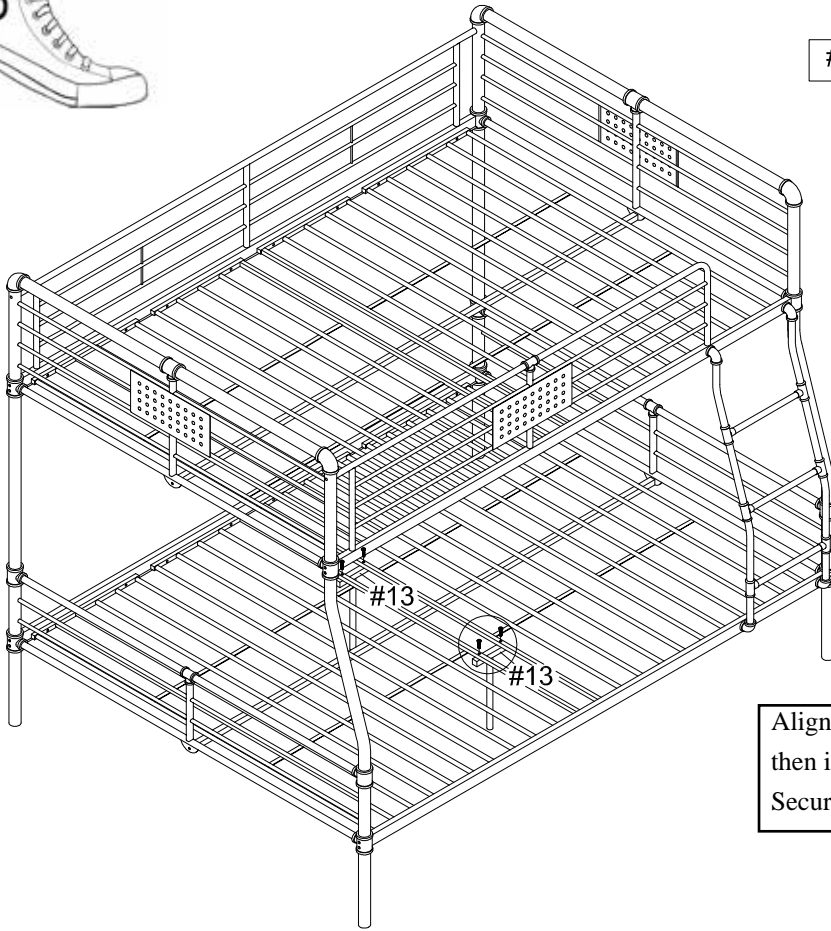


1) Attach the lower center tube (#11) to the headboards (#1, #2), then insert bolt (#A) into each hole. Secure using the Allen wrench (#E).

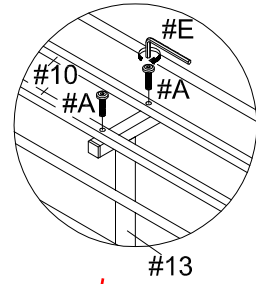


2) Insert bolts (#B) to the each holes located at the bottom center of the tube (#11). Secure using the Allen wrench (#E).

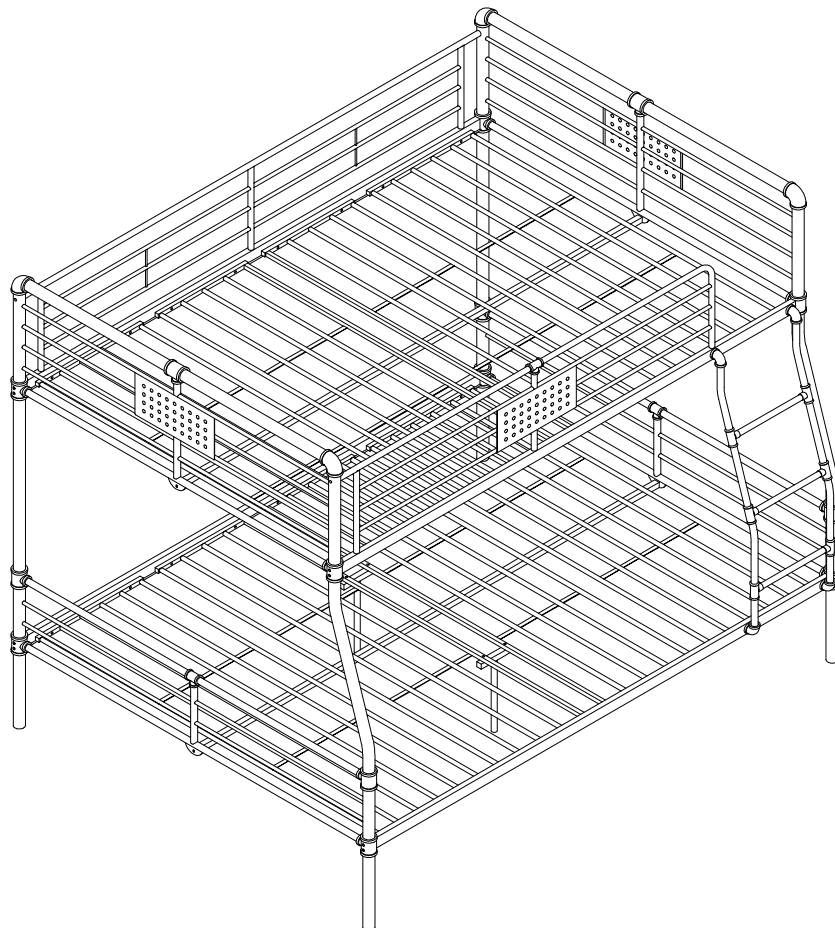




#A x 4pcs



Align the support legs (#13) to the bottom frames, then insert the bolts (#A) into the holes from above. Secure using the Allen wrench (#E).



Safety Warnings

1. Follow the information on the warnings appearing on the upper bunk end structure and on the carton . Do not remove warning label from bed.
 2. Always use the recommended size mattress or/and mattress support to help prevent the likelihood of entrapment or falls.
 3. Surface of mattress must be at least 5 in. below the upper edge of guardrails .
 4. Do not allow children less than 6 years of age to use the upper bunk.
 5. Periodically check and ensure that the guardrail, ladder ,and other components are in their proper position ,free from damage ,and that all connectors are tight .
 6. Prohibit horseplay on/or under the bed and prohibit jumping on the bed.
 7. Always use the ladder for entering and leaving the upper bunk.
 8. Do not use substitute parts ,Contact manufacturer or dealer for replacement parts.
 9. Use of a night light may provide added safety precaution for a child using the upper bunk.
 10. Always use guardrails on both long sides of the upper bunk.
 11. If the bunk bed will be placed next to a wall, the guardrail that runs the full length of the bed should be placed against the wall to prevent entrapment between the bed and the wall.
 12. The use of water or sleep flotation mattress is prohibited .
 13. Keep these instructions for future reference.
 14. Use only mattress which is 78 3/4"× 54"× 6" on upper bunk and for bottom bunk required 78 3/4"× 60"× 8"mattress .
 15. Prohibit more than one person on upper bunk.
- STRANGULATION HAZARD:**
16. Never attach or hang items to any part of the bunk bed that are not designed for use with the bed for example, but not limited to hooks, belts, and jump ropes.