



Furniture of America®

E-Commerce by Enitial Lab

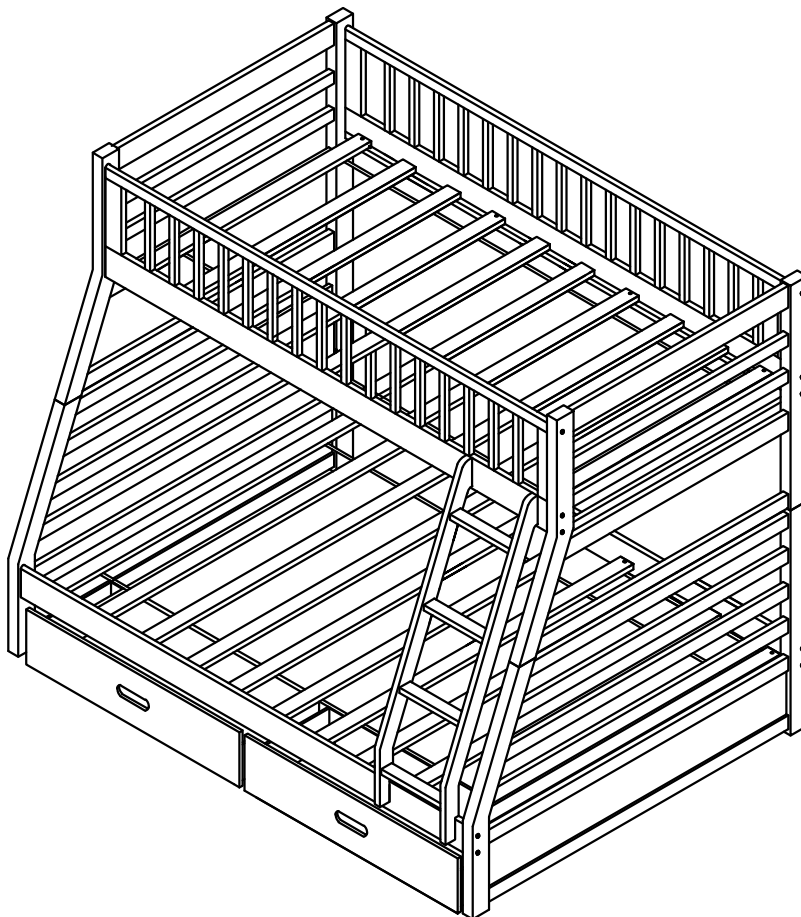
# ASSEMBLY INSTRUCTIONS

MODEL #

CM-BK601

Questions?

GIVE US CALL: 1-888-980-5122  
MON-FRI 8:30AM - 5:30PM (PST)



## TOOLS REQUIRED



Allen Wrench

(Included)



Phillips  
Screwdriver

(Not Included)



3 - People  
Recommended

## ASSEMBLY RATING



EASY —————> DIFFICULT

The Assembly Rating is a 5-point system showing the level of effort needed to assemble a specific product.



FOA Intro

Thank you for your purchase!


We hope you enjoy this new addition to your home for many years to come.

Our commitment to providing quality products does not simply end when you purchase our product. We fully stand behind our products from start to finish. Our customer service department is available Monday – Friday 8:30 AM – 5:30 PM Pacific and can help with assembly questions as well as, if necessary, replacing damaged or missing parts. To help expedite our service, please have these assembly instructions readily available, along with your order receipt.

 **Consumer Hotline**  
Toll-Free 1-888-980-5122

 **WEBSITE**  
[www.foagroup.com](http://www.foagroup.com)

    foagroup

 **Monday to Friday**  
8:30AM- 5:30PM (PST)

 **E-MAIL**  
[cs.ec@foagroup.com](mailto:cs.ec@foagroup.com)

 FurnitureOfAmerica

---

## CHECK BEFORE STARTING

**Are you missing anything?**

Double-check all parts, hardware and accessories listed on Page 6 are accounted for.

**Should we send any replacements?**

Are there any irregularities or flaws in the parts? We can send replacements!

**Check out our Quick Tips!**

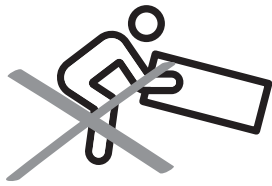
We recommend reviewing the pre-assembly handouts. Even experts need a refresher now and then!

**Prep Time!**

Please review the assembly instructions and all diagrams prior to assembling. Arrange parts as recommended on Page 7 and group identical hardware together to make assembling easier.

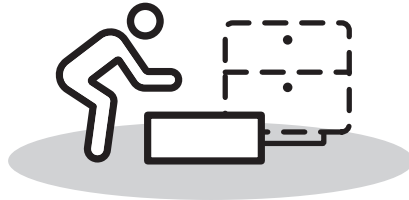
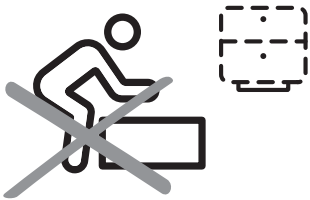
# PRE ASSEMBLY INTRODUCTION

We understand building ready-to-assemble furniture can be a challenging experience for some. To help avoid confusion, we have provided some helpful tips that may speed up the process.



## Teamwork

ALWAYS have at least two people to help with transporting and assembling the product to avoid potential injury and/or damage.



## Suitable Location

Assembling near the area of the intended location is highly recommended.



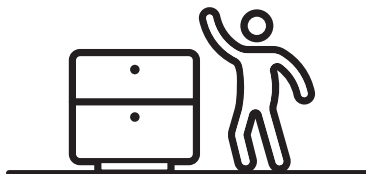
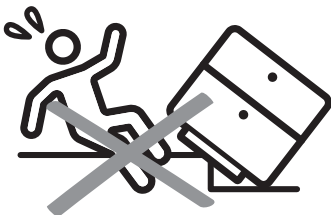
## Sufficient Space

Make sure you have enough space to move around during the assembly.



## Avoid Scratches

Use cardboard, blankets or a carpeted area while assembling furniture to prevent scratches.



## Flat Surface

Make sure the furniture rests on a flat and level surface with each leg evenly touching the floor.

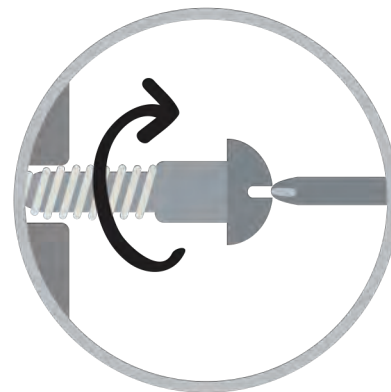
# ASSEMBLY AND CARE ADVICE



**FAILURE TO FOLLOW THE GUIDELINES BELOW MAY RESULT IN INJURY AND/OR PROPERTY DAMAGE.**



Position each part correctly and insert screws or bolts into their respective holes.



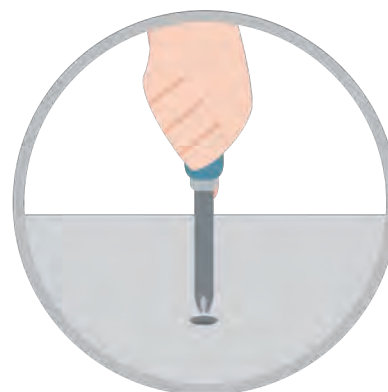
Turn clockwise to tighten and only tighten when step is completed or when instructed to do so.



Use the appropriate hand tools or power tools for assembly. Select steps, such as tightening screws and/or bolts, may require hand tools to avoid causing damage during assembly.



Save the instructions and store any supplied tools for later maintenance.



After two weeks, check and tighten any loose hardware and repeat again every six months thereafter.

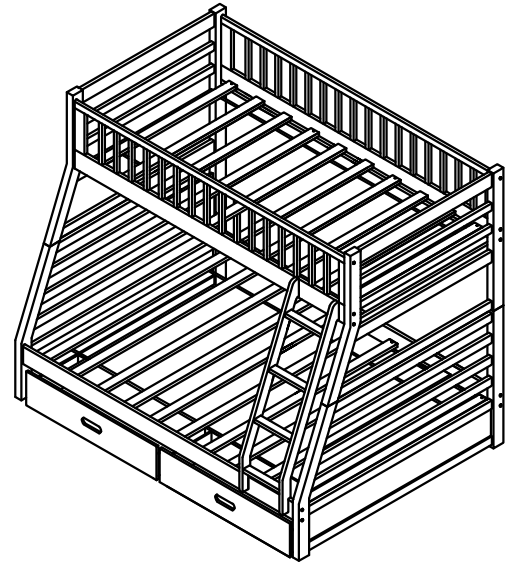
**IT IS THE USER'S RESPONSIBILITY TO MAINTAIN THE FURNITURE. THE HARDWARE MAY LOOSEN OVER TIME AND MAY CAUSE THE FURNITURE TO BE WOBBLY AND UNABLE TO SUPPORT ITS INTENDED WEIGHT CAPACITY. THIS MAY LEAD TO COLLAPSE AND MAY CAUSE SERIOUS INJURY.**

# BUNK BED

CM-BK601

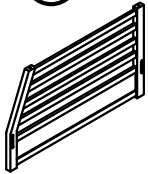


• Please keep instructions for future reference.  
• Check the quantity and irregularity of parts and hardware before you start.



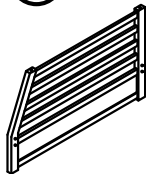
## PARTS

#1 1pc



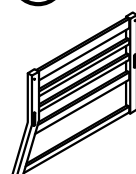
Lower End  
Guardrail

#2 1pc



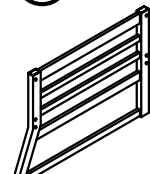
Lower End  
Guardrail

#3 1pc



Upper End  
Guardrail

#4 1pc



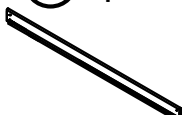
Upper End  
Guardrail

#5 1pc



Lower Front  
Side Rail

#6 1pc



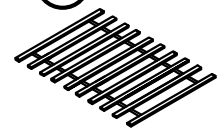
Lower Back  
Side Rail

#7 1pc



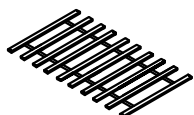
Ladder Rail

#8 1set



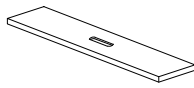
Full Slats Kit  
(10pcs)

#9 1set



Twin Slat Kit  
(10pcs)

#10 2pcs



Front Panel

#11 2pcs



Side (Left)

#12 2pcs



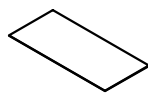
Side (Right)

#13 2pcs



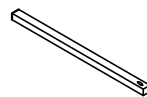
Back Panel

#14 2pcs



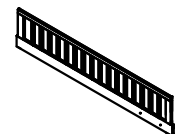
Bottom Panel

#15 2pcs



Center Support

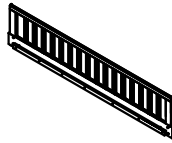
#16 1pc



Upper Front Side  
Rail

**PARTS**

#17 1pc



Upper Back Side Rail

**HARDWARE**

#A 16pcs



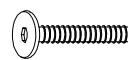
Bolt  
Ø1/4" x 3-1/4"

#B 16pcs



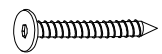
Barrel Nut  
Ø1/4"

#C 4pcs



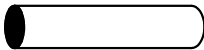
Bolt  
Ø1/4" x 1-9/16"

#D 4pcs



Screw  
Ø1/4" x 3-1/8"

#E 4pcs



Metal Dowel  
φ9\*90mm

#F 8pcs



Wood Dowel  
φ6\*30mm

#G 16pcs



Screw  
#4x30mm

#H 20pcs



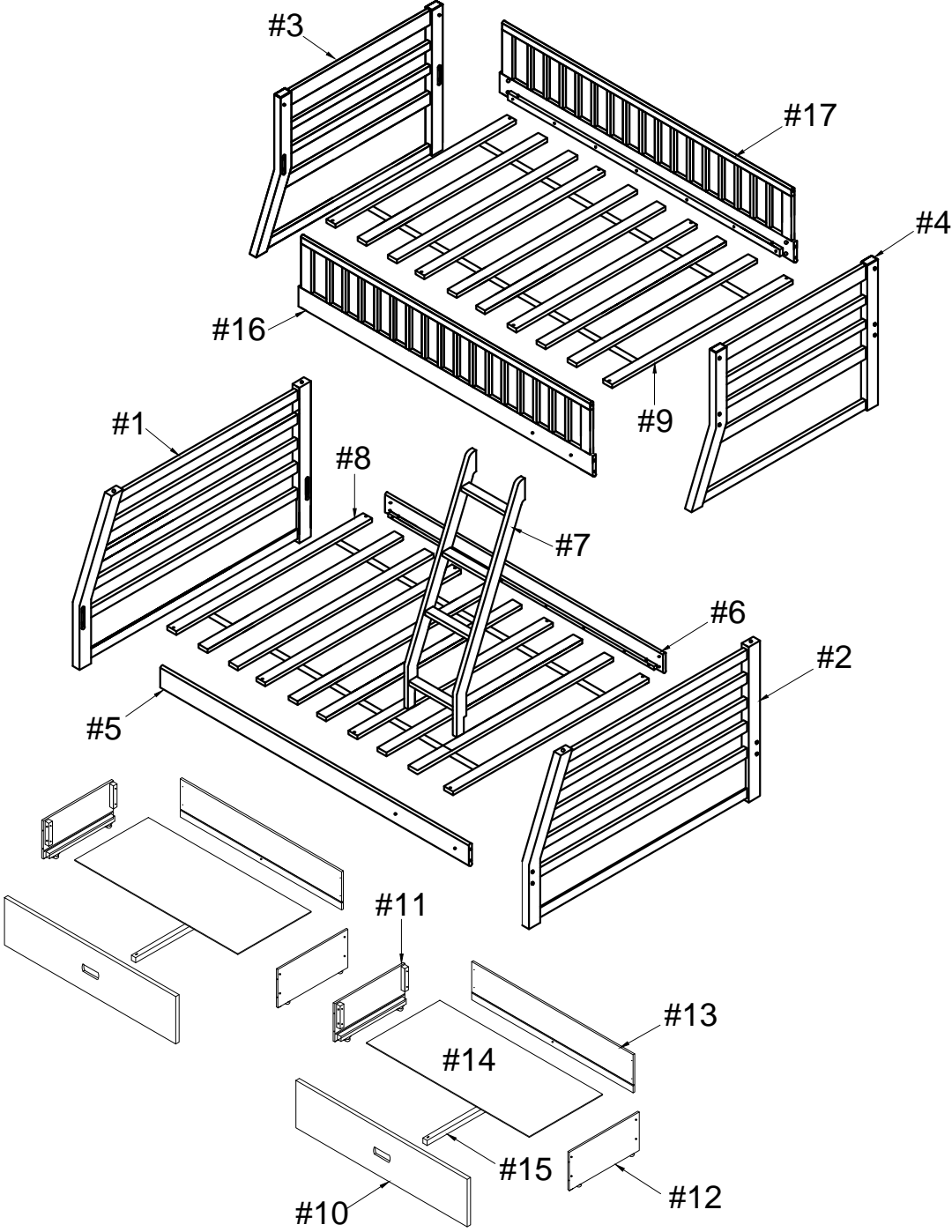
Screw  
#4x25mm

#I 1pc





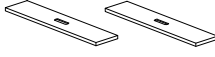

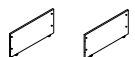
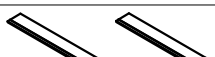
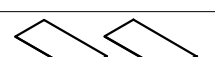
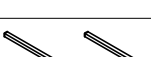
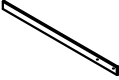



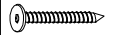
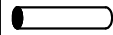




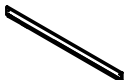







Allen Wrench 4mm

# Exploded View



# CM-BK601 is packed in 2 cases

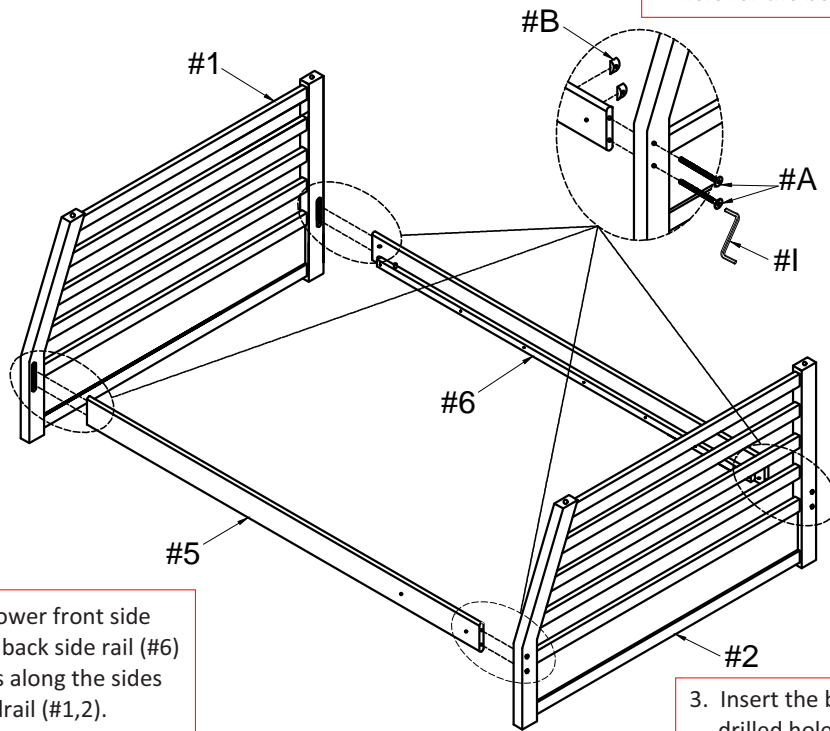
Carton	Disignation	Part	Hardware
CM-BK601-1	Lower End Guardrail	#1 	
	Lower End Guardrail	#2 	
	Upper End Guardrail	#3 	
	Upper End Guardrail	#4 	
	Front Panel	#10 	
	Side ( Left )	#11 	
	Side ( Right )	#12 	
	Back Panel	#13 	
	Bottom Panel	#14 	
	Center Support	#15 	
CM-BK601-2	Lower Front Side Rail	#5 	 #A x 16pcs  #B x 16pcs  #C x 4pcs  #D x 4pcs  #E x 4pcs  #F x 8pcs  #G x 16pcs  #H x 20pcs  #I x 1pc
	Lower Back Side Rail	#6 	
	Ladder Rail	#7 	
	Full Slat Kit	#8 	
	Twin Slat Kit	#9 	
	Upper Front Side Rail	#16 	
	Upper Back Side Rail	#17 	



# ASSEMBLY INSTRUCTIONS

## 1

- Part #1 x 1pc
- Part #2 x 1pc
- Part #5 x 1pc
- Part #6 x 1pc
- Hardware #A x 8pcs
- Hardware #B x 8pcs



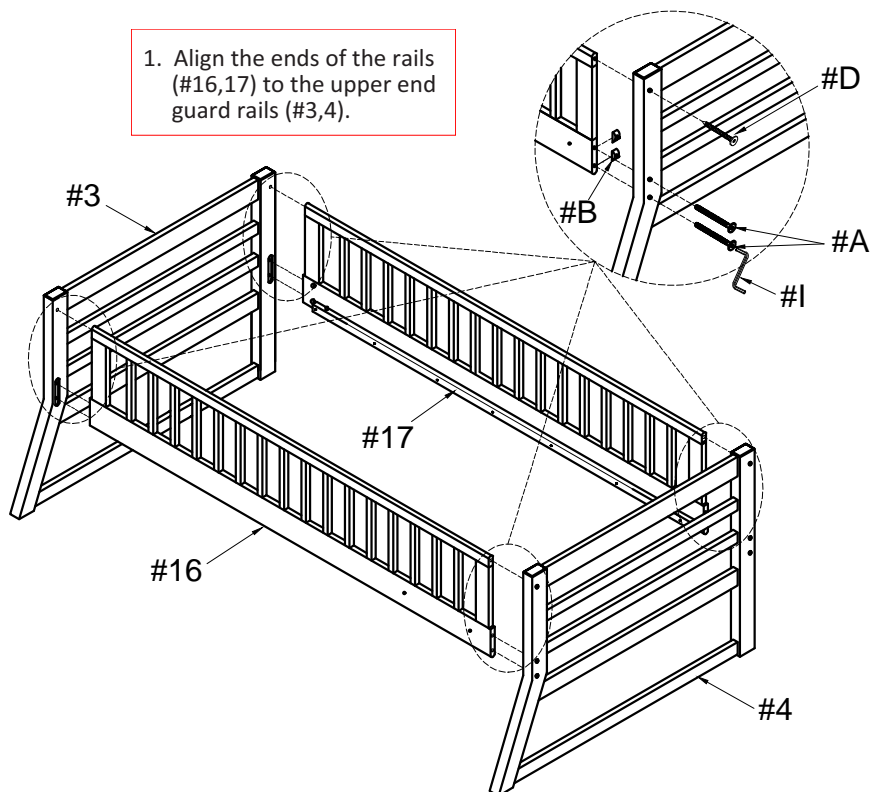
2. Insert the barrel nuts (#B) into the rails, and align the hole for the bolt.

1. Align the ends of the lower front side rail (#5) and the lower back side rail (#6) to the pre-drilled holes along the sides of the lower end guardrail (#1,2).

3. Insert the bolt (#A) into the pre-drilled holes along the side and into the barrel nut (#B). Secure using the Allen wrench (#1).

## 2

- Part #3 x 1pc
- Part #4 x 1pc
- Part #16 x 1pc
- Part #17 x 1pc
- Hardware #A x 8pcs
- Hardware #B x 8pcs
- Hardware #D x 4pcs



1. Align the ends of the rails (#16,17) to the upper end guard rails (#3,4).

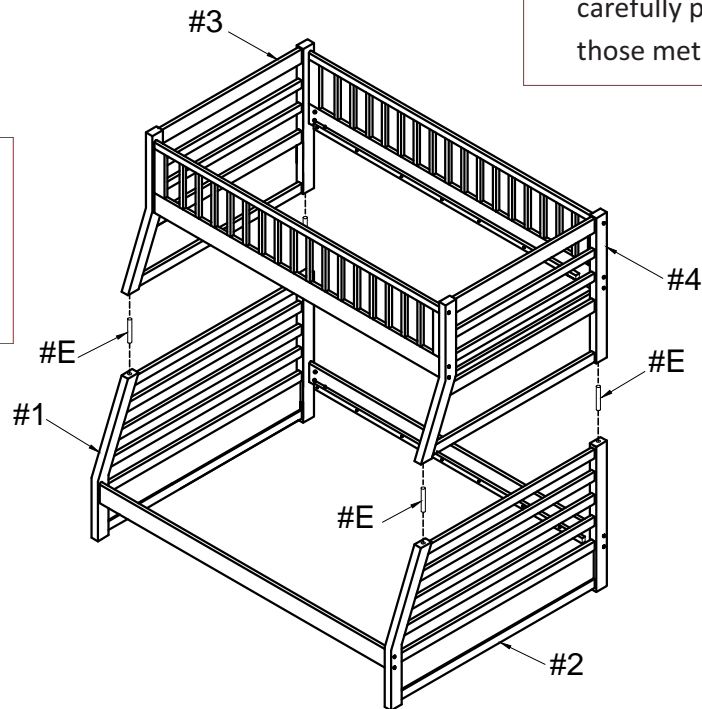
2. Insert the barrel nuts (#B) into the 2 bottom holes along the rails. Insert 3 bolts (#A) into the pre-drilled holes along the outer sides of (#3,4) and into the barrel nut (#C). Note, the top hole does not go into a nut. Secure bolts using the Allen wrench (#1).

# ASSEMBLY INSTRUCTIONS

## 3

Hardware **#E** x 4pcs

1. Insert a metal dowel (#E) into the large pre-drilled holes along the top corners of the bottom bunk.

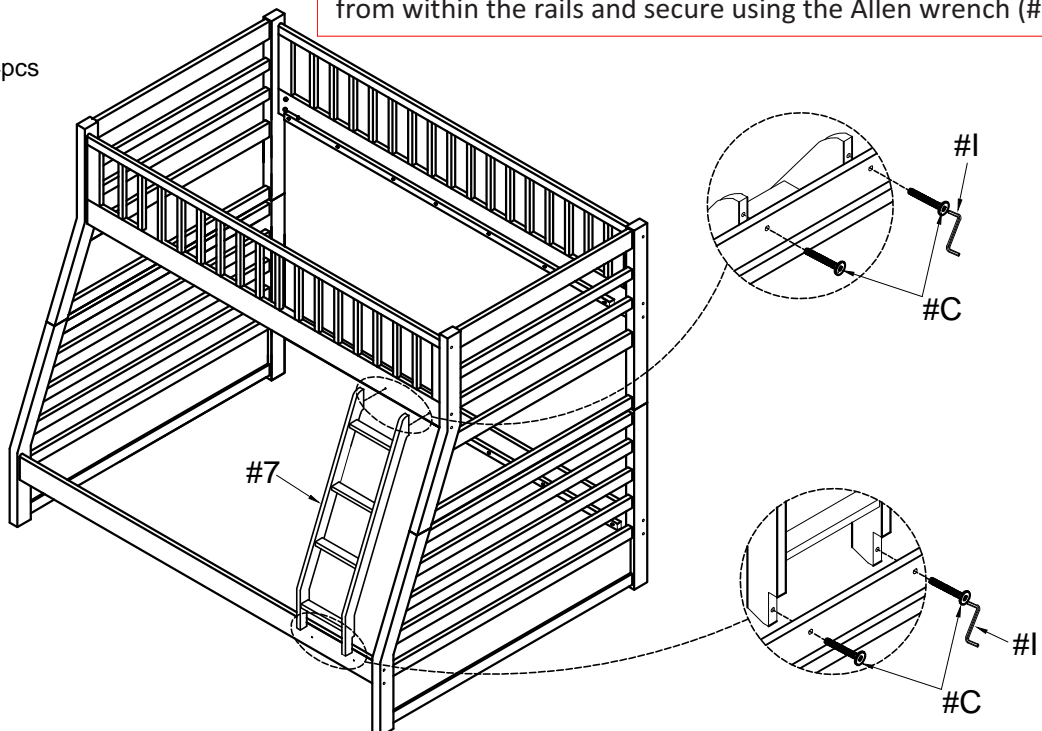


2. With the help of another person, carefully place the top bunk onto those metal dowels (#E).

## 4

Part **#7** x 1pc  
Hardware **#C** x 4pcs

Align the top and bottom of the ladder (#7) to the pre-drilled holes along the front rails. Insert a bolt (#C) into each end from within the rails and secure using the Allen wrench (#I).

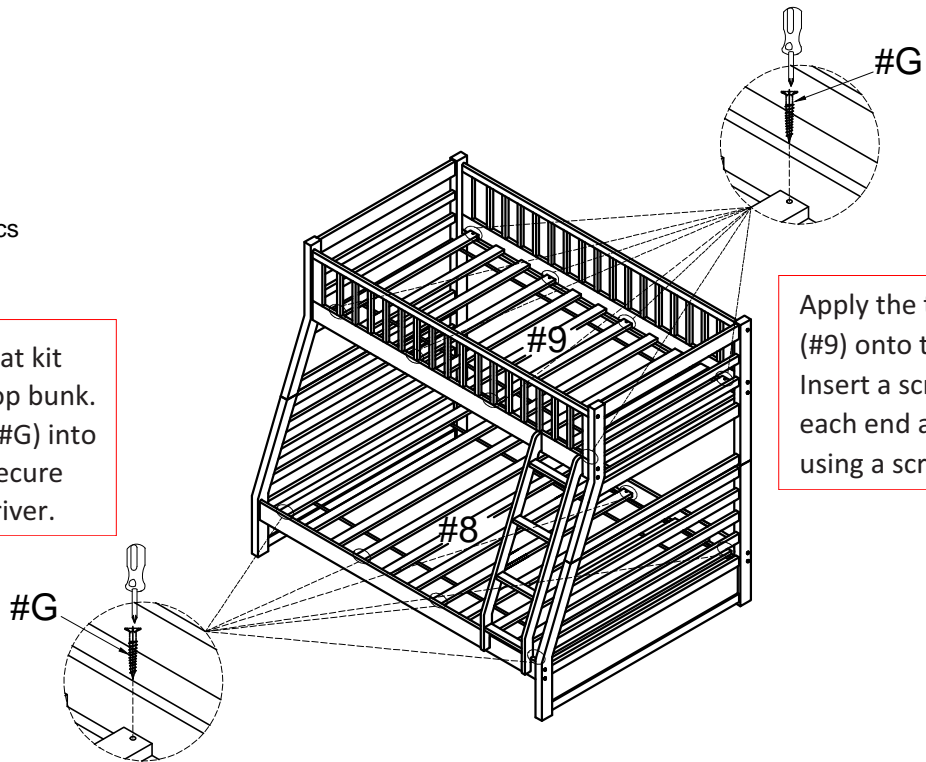


# ASSEMBLY INSTRUCTIONS

## 5

Part #8 x 1set  
Part #9 x 1set  
Hardware #G x 16pcs

Apply the full slat kit (#8) onto the top bunk. Insert a screw (#G) into each end and secure using a screwdriver.

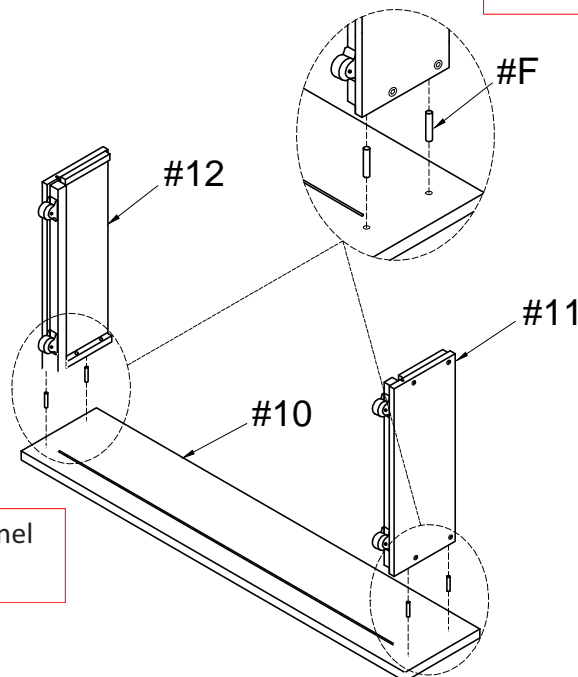


Apply the twin slat kit (#9) onto the top bunk. Insert a screw (#G) into each end and secure using a screwdriver.

## 6

Part #10 x 1pc  
Part #11 x 1pc  
Part #12 x 1pc  
Hardware #F x 4pcs

1. Place the front panel (#10) face down.



2. Insert a wood dowels (#F) into the pre-drilled holes along the corners of the front panel (#10).

3. Place the right side (#12) and left side (#11) onto the other ends of those wood dowels (#F).

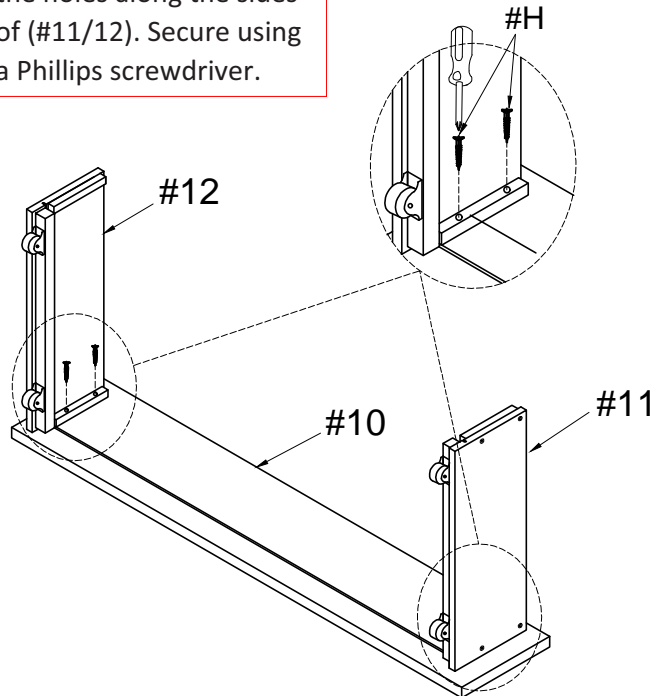
x 2

# ASSEMBLY INSTRUCTIONS

7

Hardware  x 4pcs

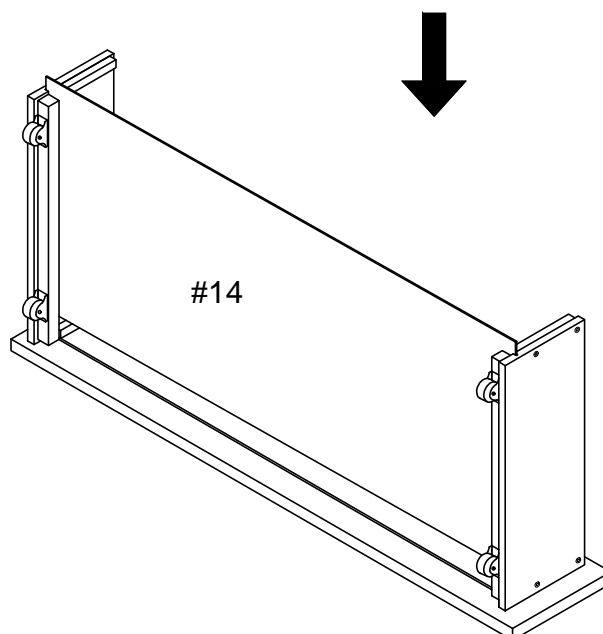
Insert 2 screws (#H) into the holes along the sides of (#11/12). Secure using a Phillips screwdriver.



8

Part  x 1pc

Align the bottom panel (#14) to the ridges along the sides and carefully slide in.

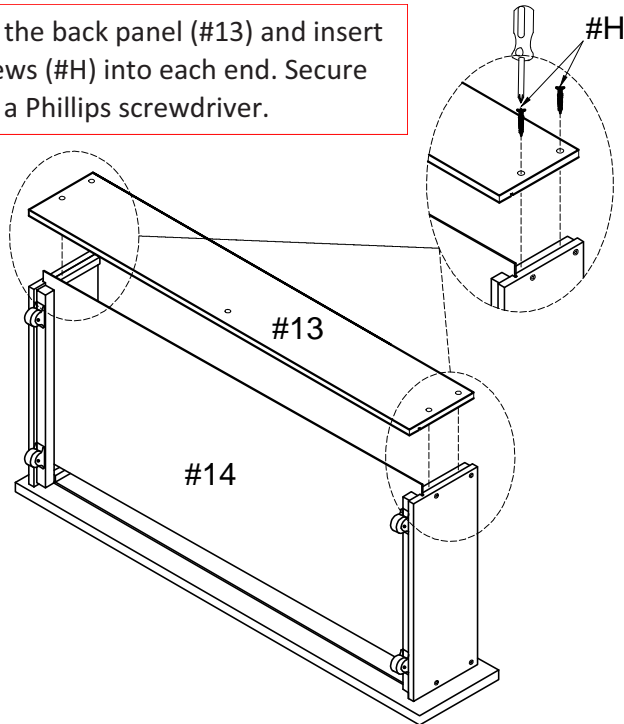


# ASSEMBLY INSTRUCTIONS

## 9

Part #13 x 1pc  
Hardware #H x 4pcs

Place the back panel (#13) and insert 2 screws (#H) into each end. Secure using a Phillips screwdriver.

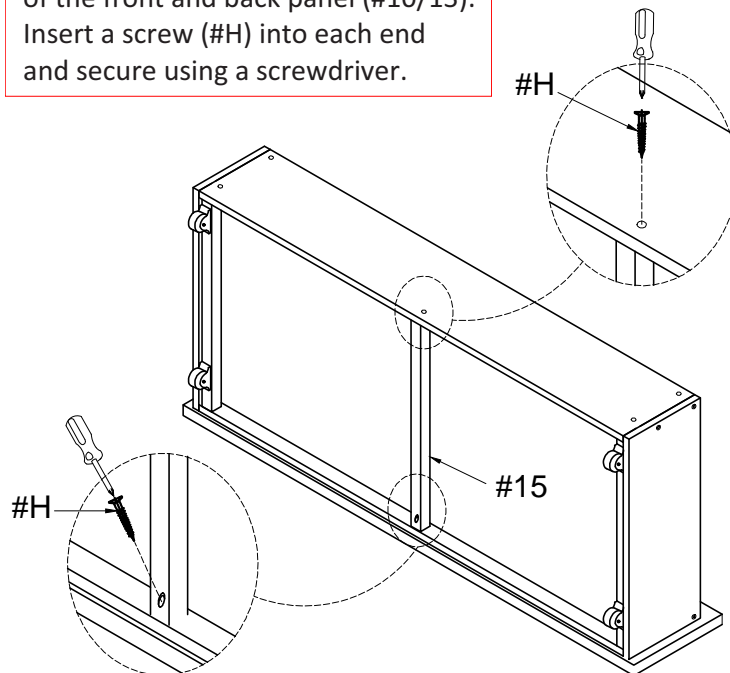


x 2

## 10

Part #15 x 1pc  
Hardware #H x 2pcs

Align the center support (#15) to the pre-drilled holes along the center of the front and back panel (#10/13). Insert a screw (#H) into each end and secure using a screwdriver.



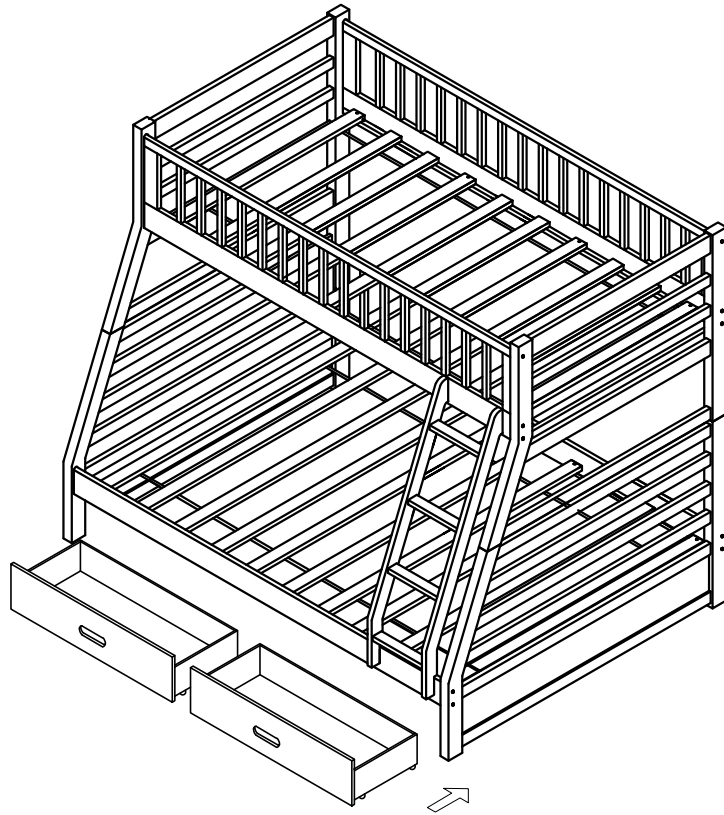
Repeat process for second drawer.

x 2

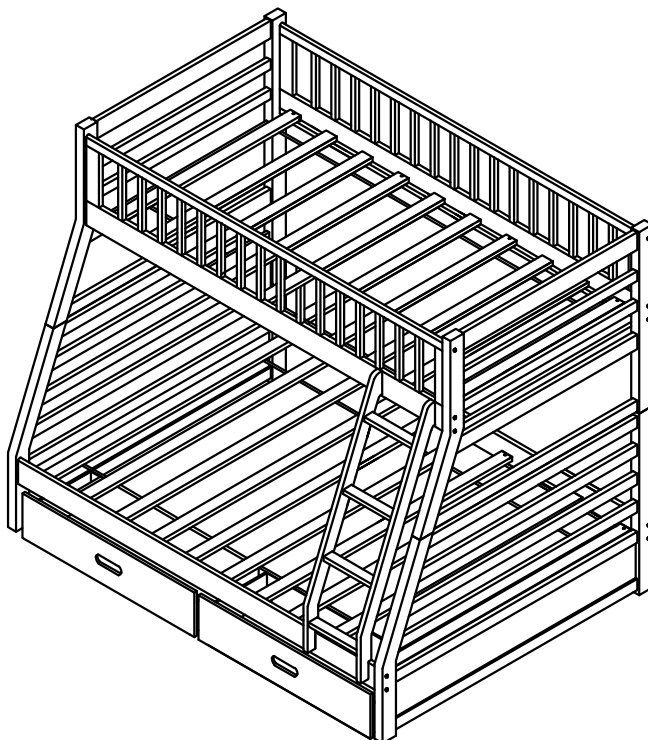
# ASSEMBLY INSTRUCTIONS

Make sure all screws and bolts are firmly secured.

11



12



## ASSEMBLY COMPLETED



Please ensure the furniture rests on an even and flat surface. If the product wobbles or feels loose, double-check all bolts and/or screws are properly tightened and secured.



### Keep this handy!

Please retain this instruction manual and any order-related information for future reference.



### Lift, don't drag!

To avoid damage to product please always LIFT the product when transporting or adjusting the placement.

## Safety Warnings for Bunk Beds

1. Read and follow the information on the WARNINGS shown on the end structure of the upper bunk and on the carton.
2. Do not remove warning label from the bed.
3. Keep these instructions for future reference.
4. **IMPORTANT: Must use Bunkie mattress or Bunkie board.** The proper sizes for the **UPPER/LOWER TWIN-SIZE** Bunkie mattress or Bunkie board should be 74" long and 37½" - 38½" wide with no more than 6" thickness and for the **UPPER/LOWER FULL-SIZE** should be 74" long and 53" - 54" wide with no more than 6" thickness.
5. Surface of mattress must be at least 5 inches (127 mm) **BELOW** the upper edge of guardrails.
6. The **MAXIMUM** weight capacity for the upper bunk is not to exceed 175 lbs.
7. Do not allow children under 6 years of age to use the upper bunk.
8. Periodically check and ensure that the guardrails, ladder, handle and other components are in their proper position, free from damage, and that all connectors are tightened and secured.
9. **DO NOT** allow horseplay, rough playing or jumping on the beds and do not allow playing or hiding under the beds.
10. Always use the ladder for entering or leaving the upper bunk.
11. Do not use substitute parts. Contact the manufacturer or dealer for replacement parts.
12. Use of a nightlight may provide added safety precaution for a person using the upper bunk.
13. Always use the guardrails on both sides of the upper bunk.
14. If the bunk bed will be placed next to a wall, the guardrail that runs the full length of the bed should be placed against the wall to prevent entrapment between the bed and the wall.
15. The use of water or sleep flotation mattresses is prohibited.
16. No more than one person is allowed on the upper bunk at all times.



## **WARNING: STRANGULATION HAZARD**

Never attach or hang objects to any part of the bunk bed that are not designed for use with the bed. Objects such as hanger, hook, belt, bag, rope, string, etc. should not be used on or around the bunk bed.