

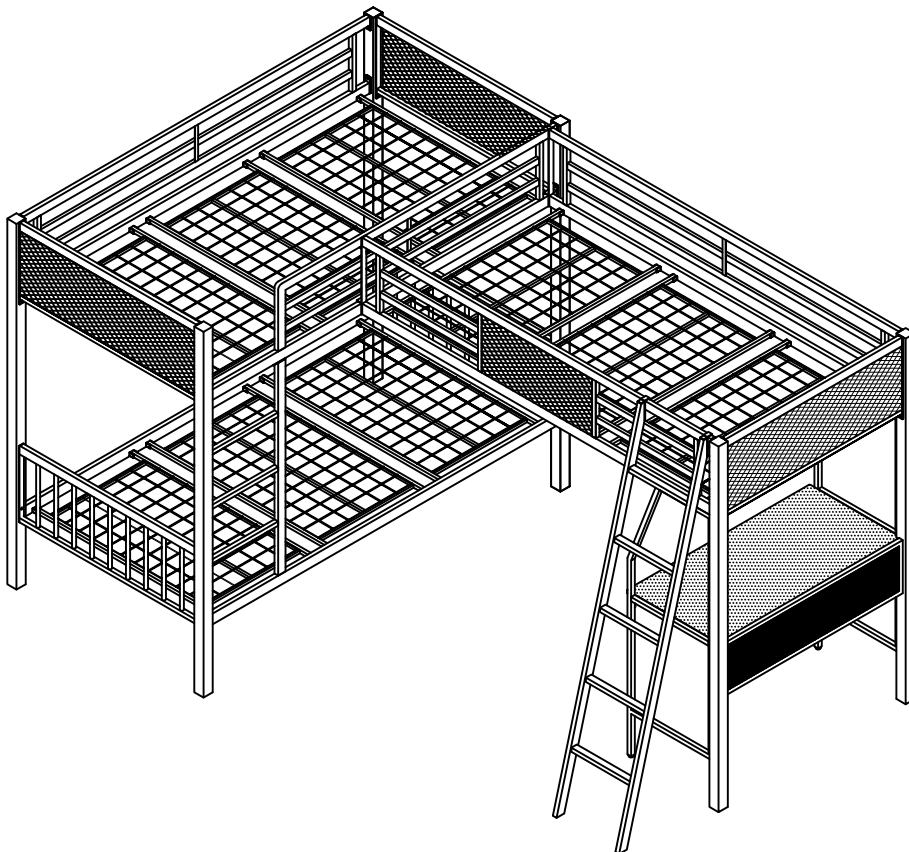
# ASSEMBLY INSTRUCTIONS

MODEL #

CM-BK1049

Questions?

GIVE US A CALL: 1-888-980-5122  
MON – FRI 8:30AM – 5:30PM (PT)



## TOOLS REQUIRED



Allen Wrench

(Included)



3 - People  
Recommended

## ASSEMBLY RATING



EASY → DIFFICULT

The Assembly Rating is a 5-point system showing the level of effort needed to assemble a specific product.




FOA Intro

Thank you for your purchase!


We hope you enjoy this new addition to your home for many years to come.

Our commitment to providing quality products does not simply end when you purchase our product. We fully stand behind our products from start to finish. Our customer service department is available Monday – Friday 8:30 AM – 5:30 PM Pacific Time and can help with assembly questions as well as, if necessary, replacing damaged or missing parts. To help expedite our service, please have these assembly instructions readily available, along with your order receipt.


 **Consumer Hotline**  
Toll-Free 1-888-980-5122

 **WEBSITE**  
[www.foagroup.com](http://www.foagroup.com)

    foagroup

 **Monday to Friday**  
8:30AM- 5:30PM (PT)

 **E-MAIL**  
[cs.ec@foagroup.com](mailto:cs.ec@foagroup.com)

 FurnitureOfAmerica

---

## CHECK BEFORE STARTING

**Are you missing anything?**  
Double-check all parts, hardware and accessories listed are all accounted for.

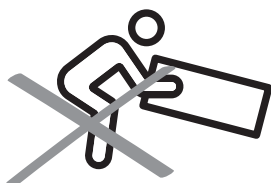
**Should we send any replacements?**  
Are there any irregularities or flaws in the parts? We can send replacements!

**Check out our Quick Tips!**  
We recommend reviewing the pre-assembly handouts. Even experts need a refresher now and then!

**Prep Time!**  
Please review the assembly instructions and all diagrams prior to assembling.

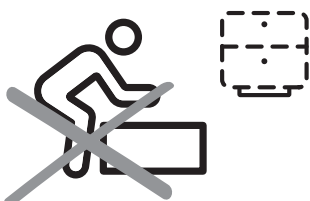
# PRE ASSEMBLY INTRODUCTION

We understand building ready-to-assemble furniture can be a challenging experience for some. To help avoid confusion, we have provided some helpful tips that may speed up the process.



## Teamwork

ALWAYS have at least two people to help with transporting and assembling the product to avoid potential injury and/or damage.



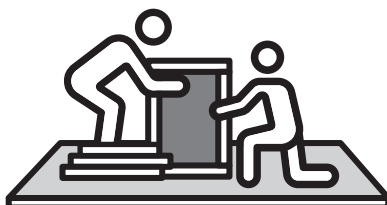
## Suitable Location

Assembling near the area of the intended location is highly recommended.



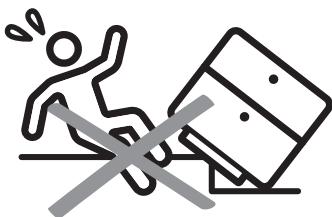
## Sufficient Space

Make sure you have enough space to move around during the assembly.



## Avoid Scratches

Use cardboard, blankets or a carpeted area while assembling furniture to prevent to prevent scratches and damages.



## Flat Surface

Make sure the furniture rests on a flat and level surface with each leg evenly touching the floor.

# ASSEMBLY AND CARE ADVICE



**FAILURE TO FOLLOW THE GUIDELINES BELOW MAY RESULT IN INJURY AND/OR PROPERTY DAMAGE.**



Position each part correctly and insert screws or bolts into their respective holes.



Turn clockwise to tighten and only tighten when step is completed or when instructed to do so.



Use the appropriate hand tools or power tools for assembly. Select steps, such as tightening screws and/or bolts, may require hand tools to avoid causing damage during assembly.



Save the instructions and store any supplied tools for later maintenance.



After two weeks, check and tighten any loose hardware and repeat again every six months thereafter.

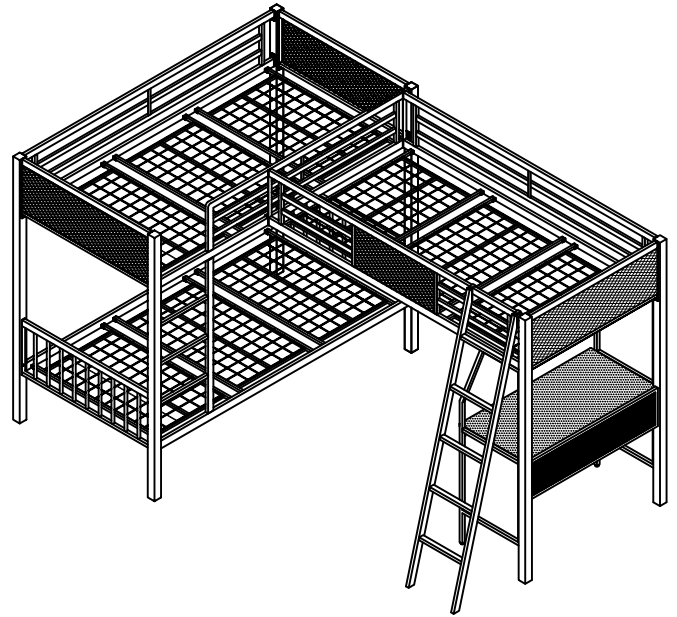
**IT IS THE USER'S RESPONSIBILITY TO MAINTAIN THE FURNITURE. THE HARDWARE MAY LOOSEN OVER TIME AND MAY CAUSE THE FURNITURE TO BE WOBBLY AND UNABLE TO SUPPORT ITS INTENDED WEIGHT CAPACITY. THIS MAY LEAD TO COLLAPSE AND MAY CAUSE SERIOUS INJURY.**

# BUNKBED

CM-BK1049



• Please keep instructions for future reference.  
 • Check the quantity and irregularity of parts and hardware before you start.



## PARTS

#1 1pc



Left Front Post

#2 2pcs



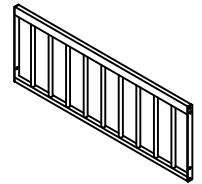
Left Back Post  
Right Front Post

#3 1pc



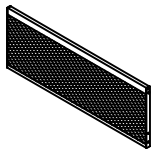
Right Back Post

#4 2pcs



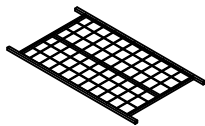
Bottom Panel

#5 3pcs



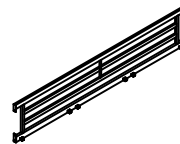
Upper Panel

#6 9pcs



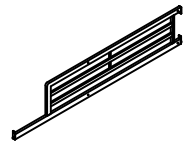
Bed Base Frame

#7 1pc



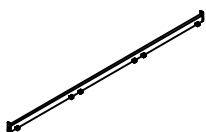
Back Panel

#8 1pc



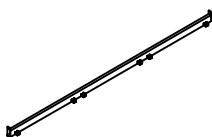
Front Panel

#9 1pc



Bottom Back Rail

#10 1pc



Bottom Front Rail

#11 1pc



Ladder A

#12 1pc



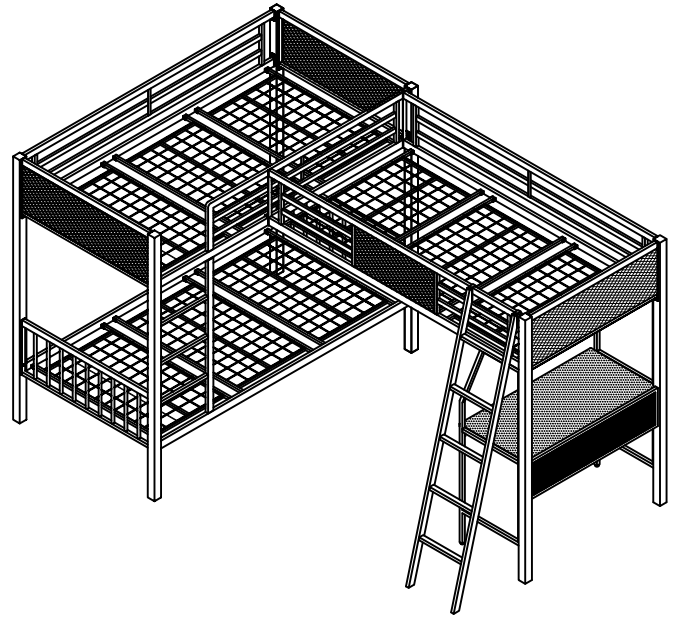
Post 1

# BUNKBED

CM-BK1049



- Please keep instructions for future reference.
- Check the quantity and irregularity of parts and hardware before you start.



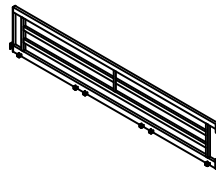
## PARTS

#13 1pc



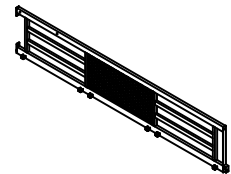
Post 2

#14 1pc



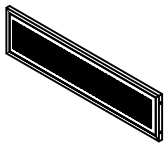
Back Guardrail

#15 1pc



Front Guardrail

#16 1pc



Panel

#17 1pc



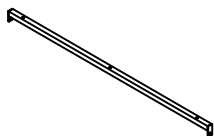
Desk Right Frame

#18 1pc



Desk Left Frame

#19 2pcs



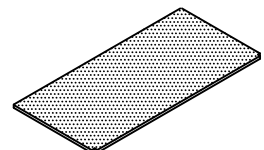
Rails

#20 1pc



Ladder B

#21 1pc



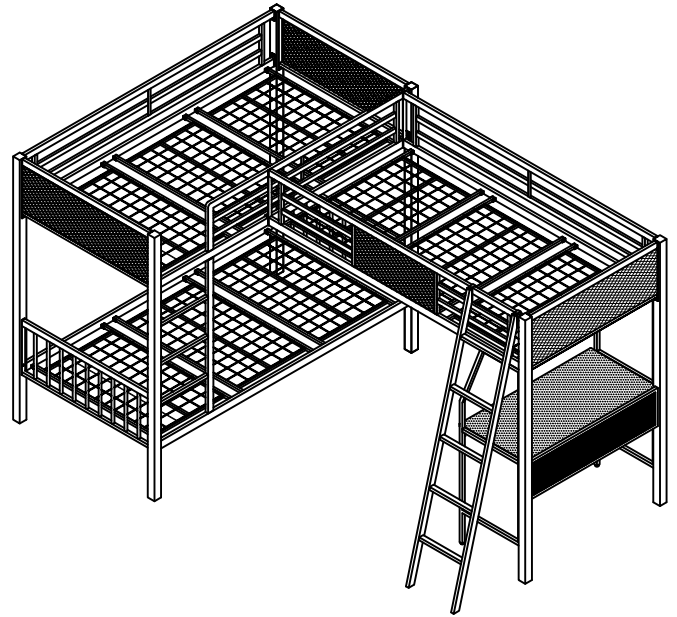
Top Board

# BUNKBED

CM-BK1049

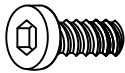


- Please keep instructions for future reference.
- Check the quantity and irregularity of parts and hardware before you start.



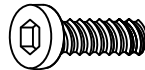
## HARDWARE

#A 66pcs



Bolt 1/4" x 5/8"

#B 2pcs



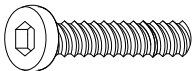
Bolt 1/4" x 1"

#C 6pcs



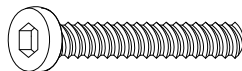
Bolt 1/4" x 1-1/4"

#D 18pcs



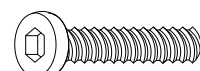
Bolt 1/4" x 1-1/2"

#E 1pc



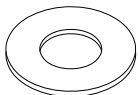
Bolt 1/4" x 2-3/4"

#F 2pcs



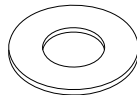
Bolt 5/16" x 1-1/2"

#G 93pcs



Flat Washer  $\phi$ 16mm

#H 2pcs



Flat Washer  $\phi$ 18mm

#I 1pc



Allen Wrench M4

#J 1pc



Allen Wrench M5

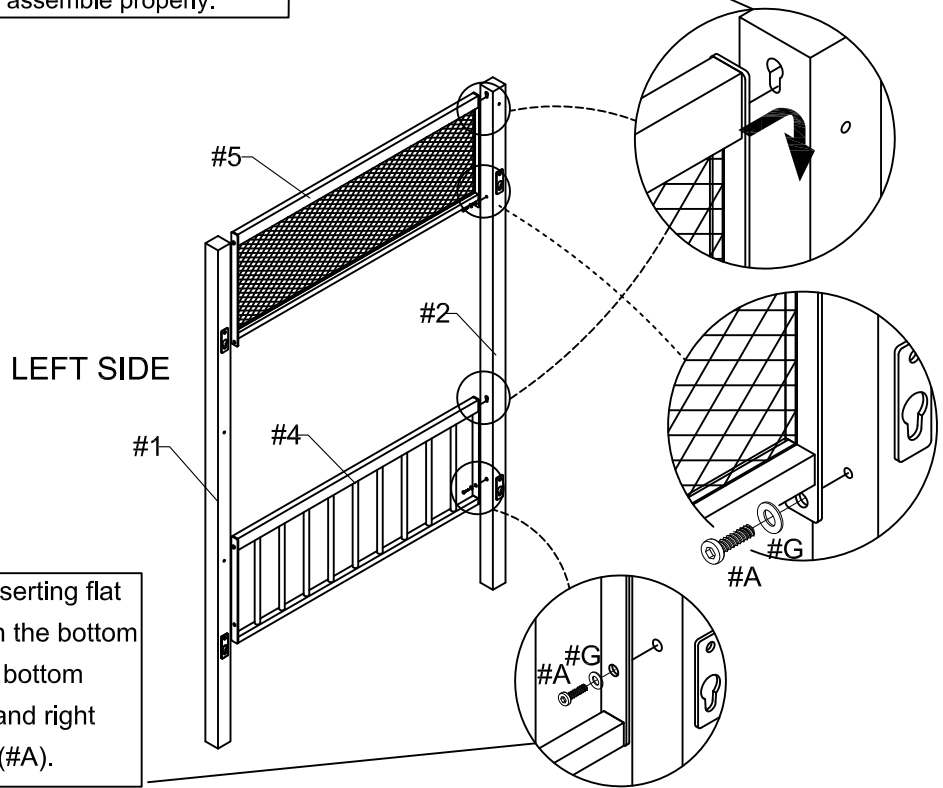
# ASSEMBLY INSTRUCTIONS

## 1

Note:  
Do not fully tighten all bolts until assembly is complete. This will help all parts to assemble properly.

- Part #1 x1pc
- Part #2 x1pc
- Part #4 x1pc
- Part #5 x1pc
- Hardware #A x4pcs
- Hardware #G x4pcs
- Hardware #I x1pc

1) Attach the top of the upper panel (#5) and bottom panel (#4) to the holes of the left and right front post (#1,2)

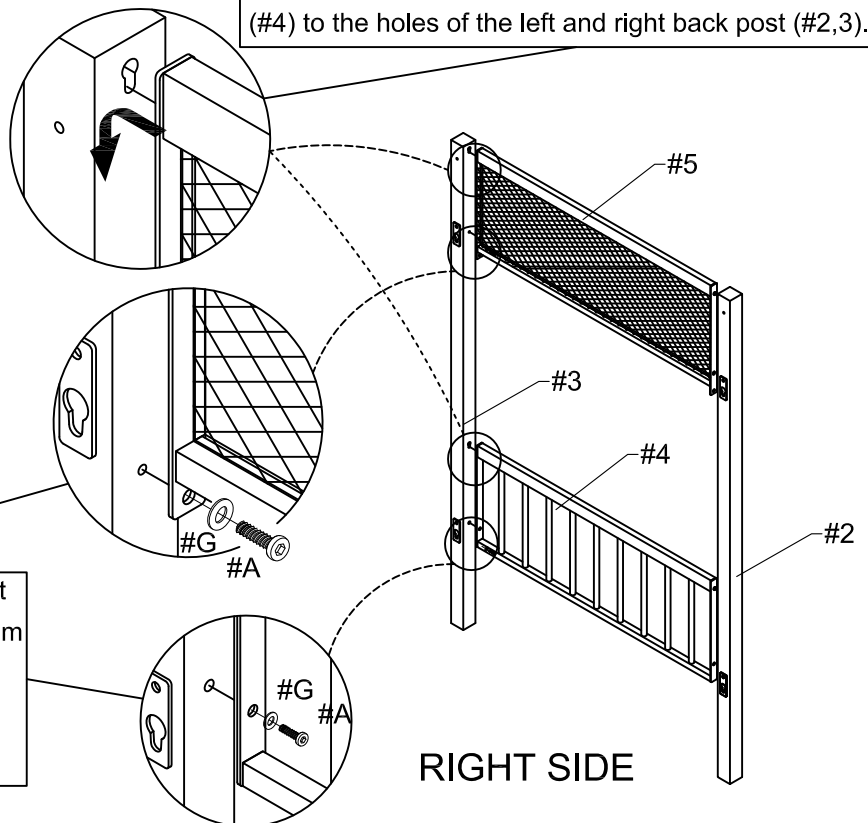


2) Prepare 4 bolts assembly by inserting flat washer (#G) onto bolts (#A). Align the bottom holes of the upper panel (#5) and bottom panel (#4) to the holes of the left and right front post (#1,2) Secure with bolt (#A).

## 2

- Part #2 x1pc
- Part #3 x1pc
- Part #4 x1pc
- Part #5 x1pc
- Hardware #A x4pcs
- Hardware #G x4pcs
- Hardware #I x1pc

1) Attach the top of the upper panel (#5) and bottom panel (#4) to the holes of the left and right back post (#2,3).



2) Prepare 4 bolts assembly by inserting flat washer (#G) onto bolts (#A). Align the bottom holes of the upper panel (#5) and bottom panel (#4) to the holes of the left and right back post (#2,3) Secure with bolt (#A).

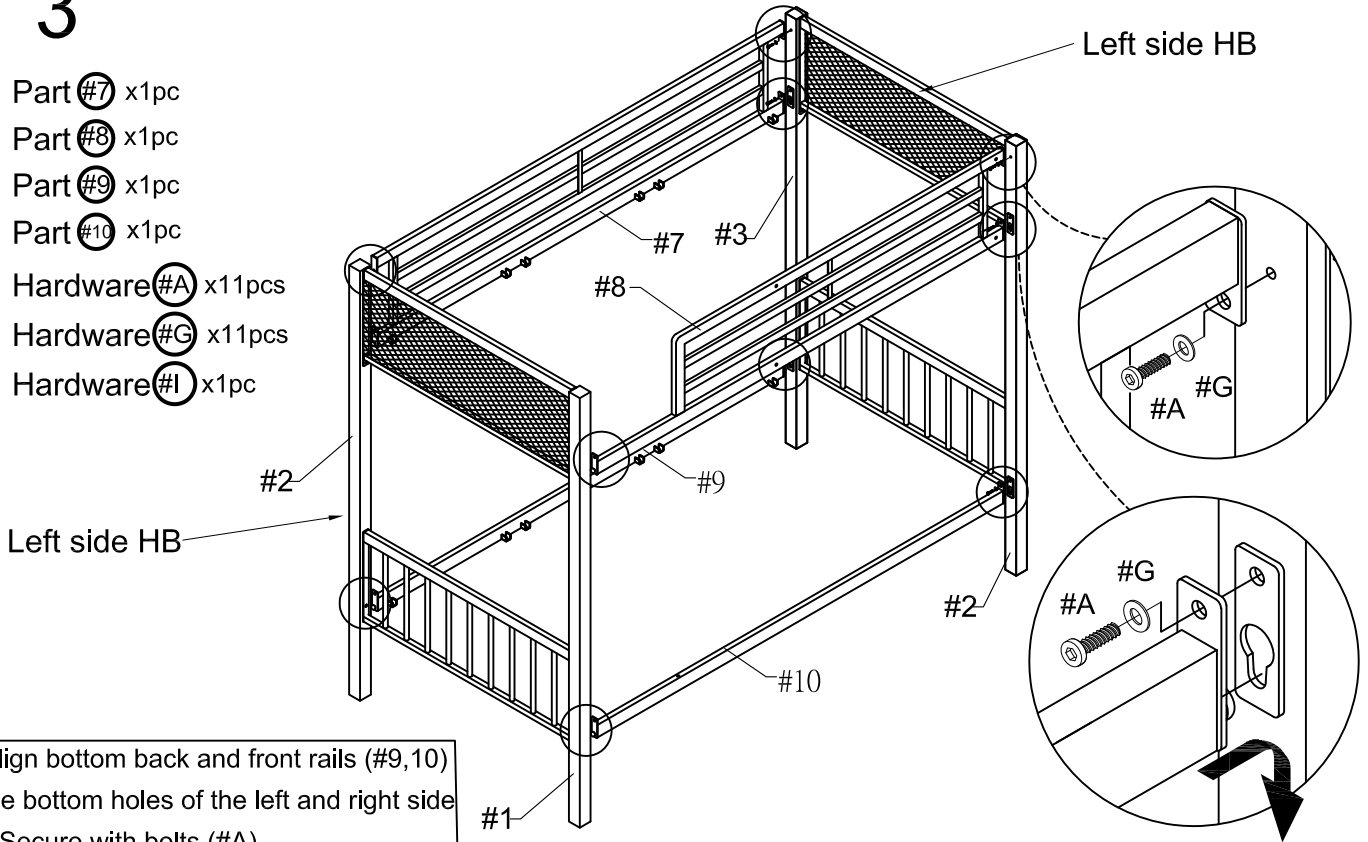


# ASSEMBLY INSTRUCTIONS

1) Prepare 11 bolts assembly by inserting flat washer (#G) onto bolts (#A). Align back panel (#7) and front panel (#8) to the holes of the right and left side HB. Secure with bolts (#A).

## 3

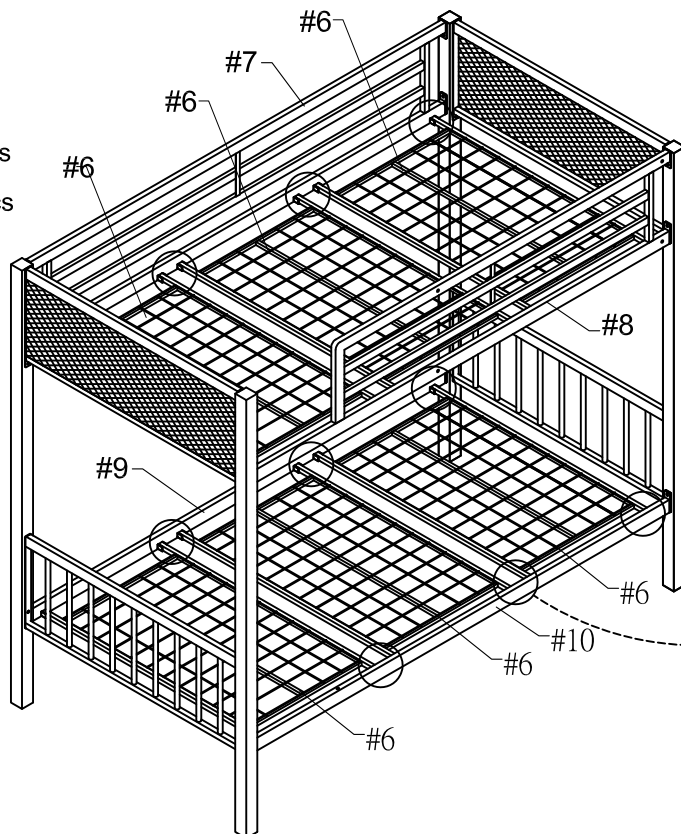
- Part #7 x1pc
- Part #8 x1pc
- Part #9 x1pc
- Part #10 x1pc
- Hardware #A x11pcs
- Hardware #G x11pcs
- Hardware #I x1pc



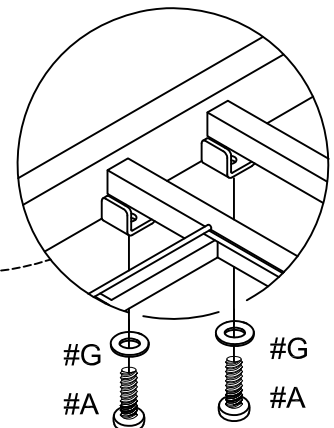
2) Align bottom back and front rails (#9,10) to the bottom holes of the left and right side HB. Secure with bolts (#A).

## 4

- Part #6 x6pcs
- Hardware #A x24pcs
- Hardware #G x24pcs
- Hardware #I x1pc



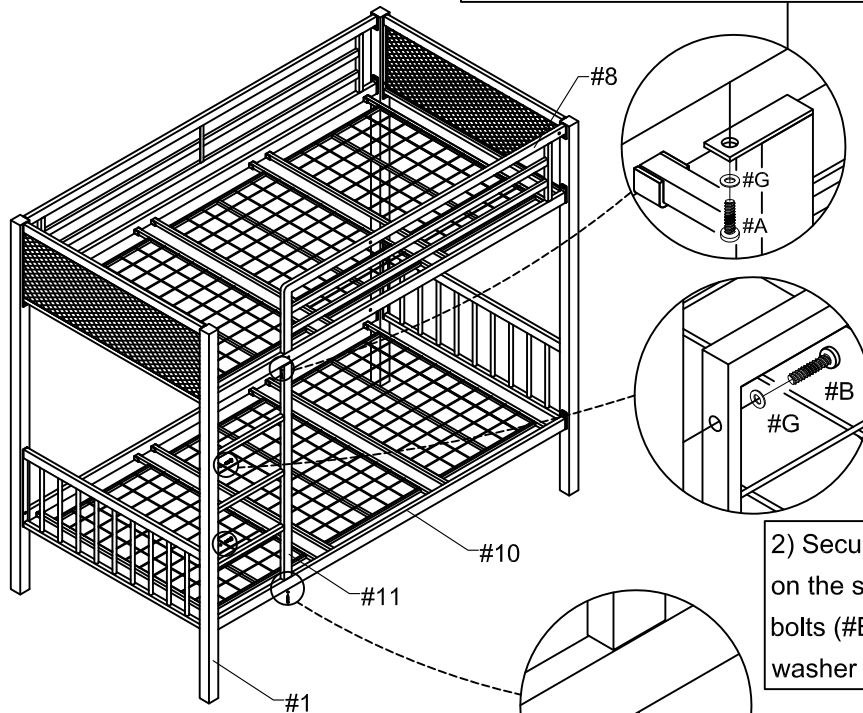
Prepare 24 bolts assembly by inserting flat washer (#G) onto bolts (#A). Align bed base frame (#6) to the holes of the side rails. Secure with bolts (#A) as shown in the picture,



# ASSEMBLY INSTRUCTIONS

## 5

- Part #11 x1pc
- Hardware #A x1pc
- Hardware #B x2pcs
- Hardware #E x1pc
- Hardware #G x4pcs
- Hardware #I x1pc



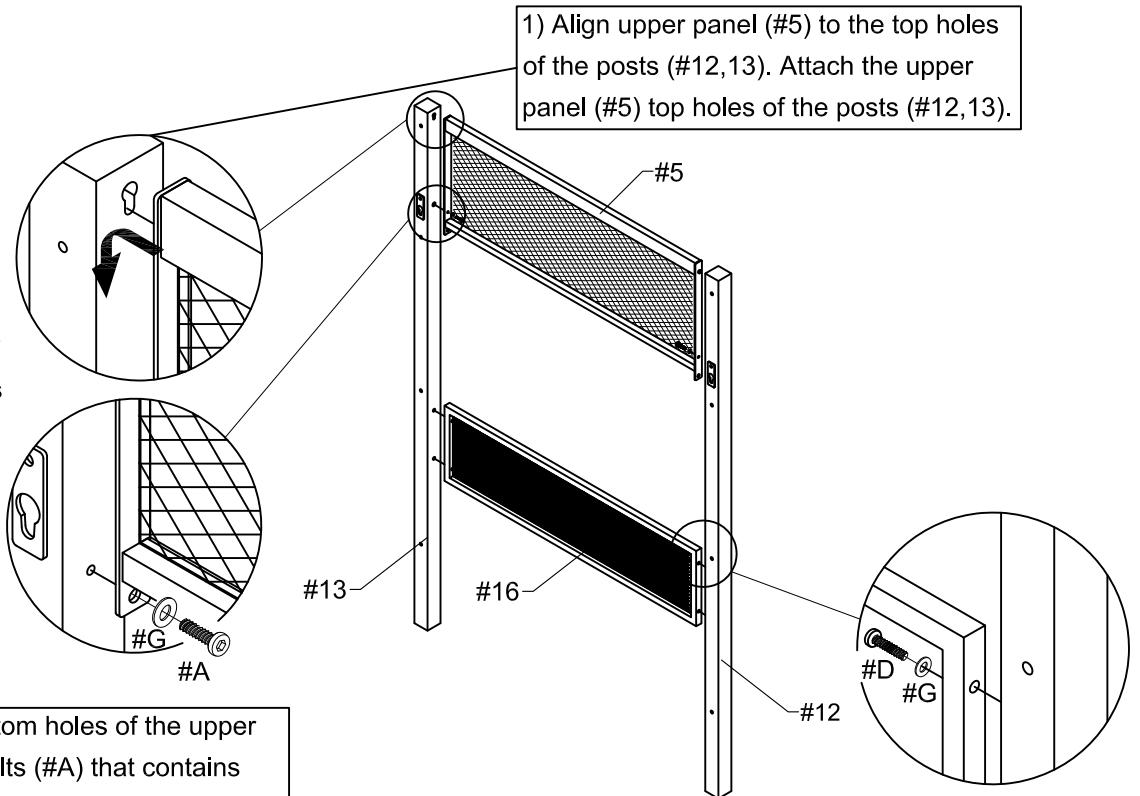
1) Align the ladder A (#11) to the holes in-between the bunk beds. Secure the top ladder (#11) hole with Bolts (#A) that contains lock washer (#G).

2) Secure ladder holes (#11) on the side of the left HB with bolts (#B) that contains washer (#G).

3) Secure ladder holes (#11) on the bottom of side rails with bolts (#E) that contains washer (#G).

## 6

- Part #5 x1pc
- Part #12 x1pc
- Part #13 x1pc
- Part #16 x1pc
- Hardware #A x2pcs
- Hardware #D x4pcs
- Hardware #G x6pcs
- Hardware #I x1pc



1) Align upper panel (#5) to the top holes of the posts (#12,13). Attach the upper panel (#5) top holes of the posts (#12,13).

2) Secure the bottom holes of the upper panel (#5) with bolts (#A) that contains washer (#G).

# ASSEMBLY INSTRUCTIONS

## 7

Part **#17** x1pc

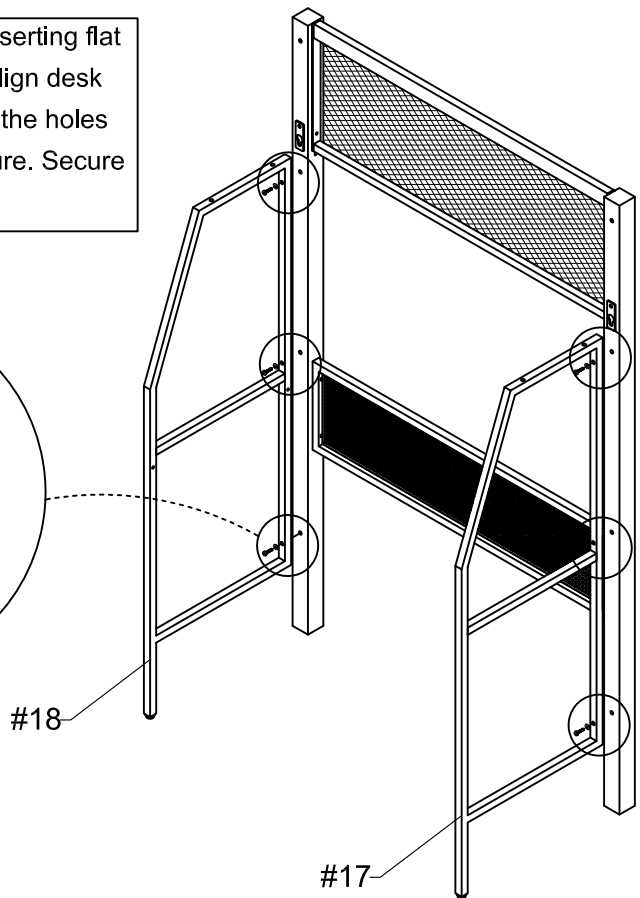
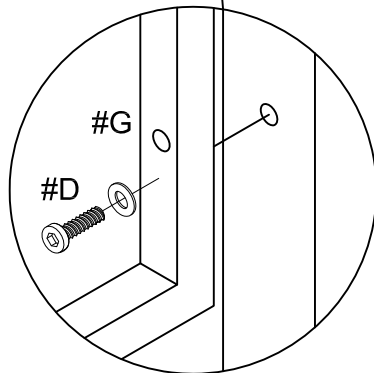
Part **#18** x1pc

Hardware **#D** x6pcs

Hardware **#G** x6pcs

Hardware **#I** x1pc

Prepare 6 bolts assembly by inserting flat washer (#G) onto bolts (#D). Align desk right and left frame (#17,18) to the holes of the HB as shown in the picture. Secure with bolts (#D).



## 8

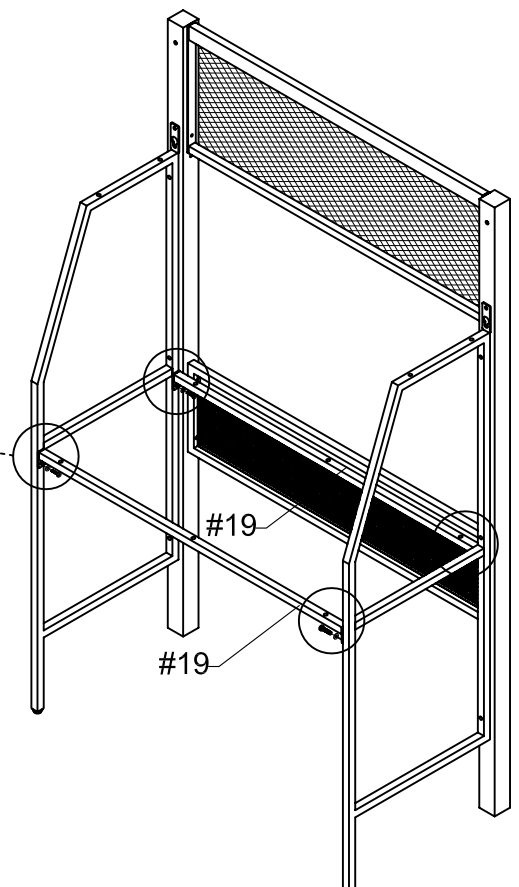
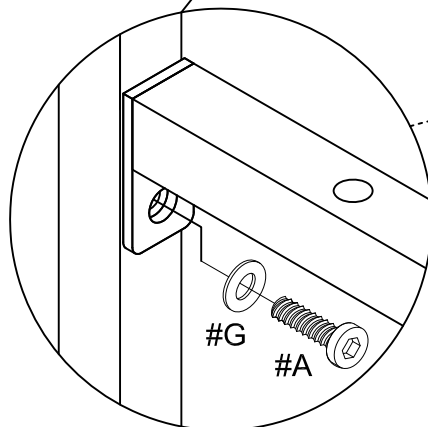
Part **#19** x2pcs

Hardware **#A** x4pcs

Hardware **#G** x4pcs

Hardware **#I** x1pc

Prepare 4 bolts assembly by inserting flat washer (#G) onto bolts (#A). Align rails (#19) to the holes in-between the desk frame (#17,18). Secure with bolts (#A).

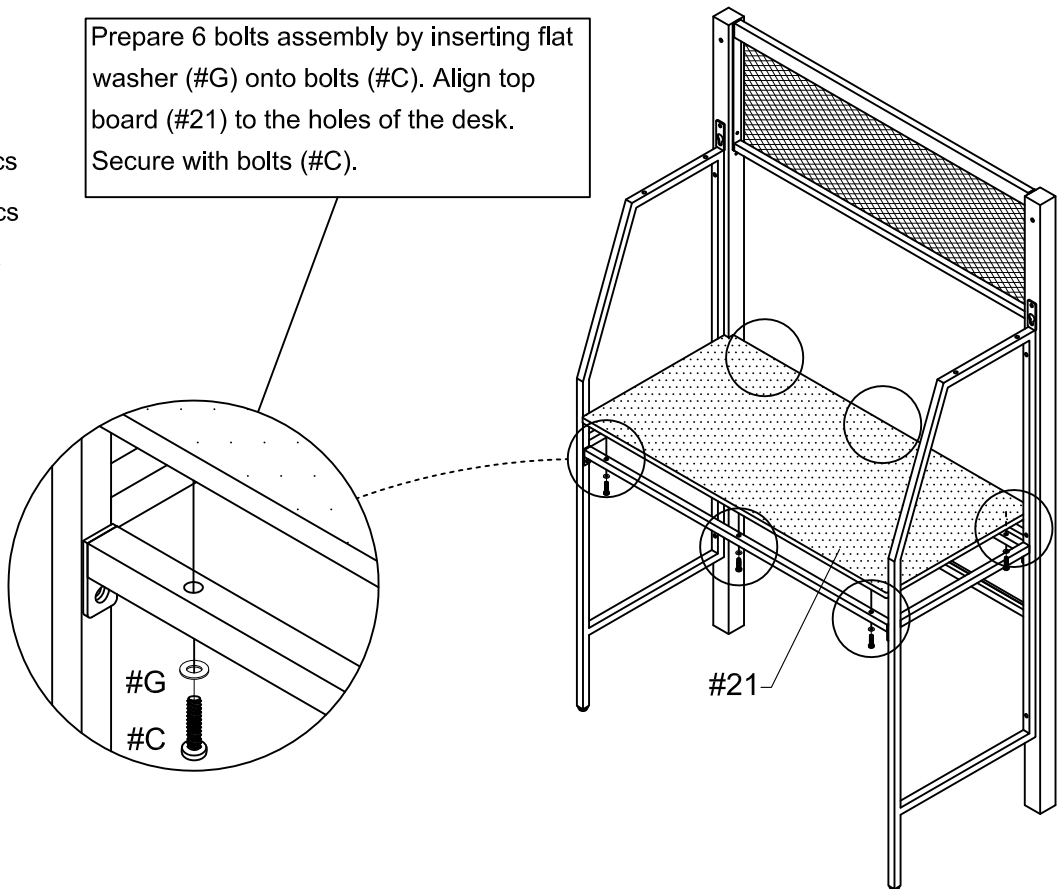


# ASSEMBLY INSTRUCTIONS

## 9

- Part **#21** x1pc
- Hardware **#C** x6pcs
- Hardware **#G** x6pcs
- Hardware **#I** x1pc

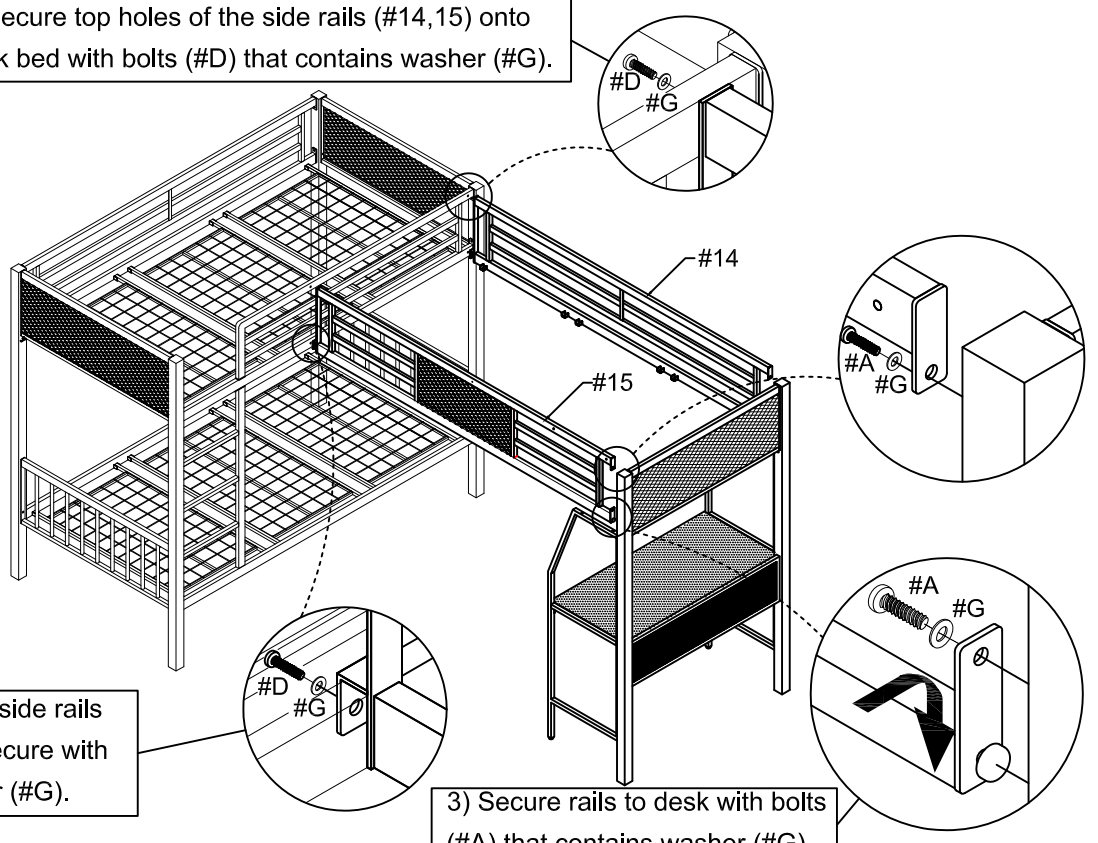
Prepare 6 bolts assembly by inserting flat washer (#G) onto bolts (#C). Align top board (#21) to the holes of the desk. Secure with bolts (#C).



## 10

- Part **#14** x 1pc
- Part **#15** x 1pc
- Hardware **#A** x4pcs
- Hardware **#D** x4pcs
- Hardware **#G** x8pcs
- Hardware **#I** x1pc

2) Secure top holes of the side rails (#14,15) onto bunk bed with bolts (#D) that contains washer (#G).



1) Hook the bottom of holes of side rails (#14,15) onto the bunk bed. Secure with bolts (#D) that contains washer (#G).

3) Secure rails to desk with bolts (#A) that contains washer (#G).

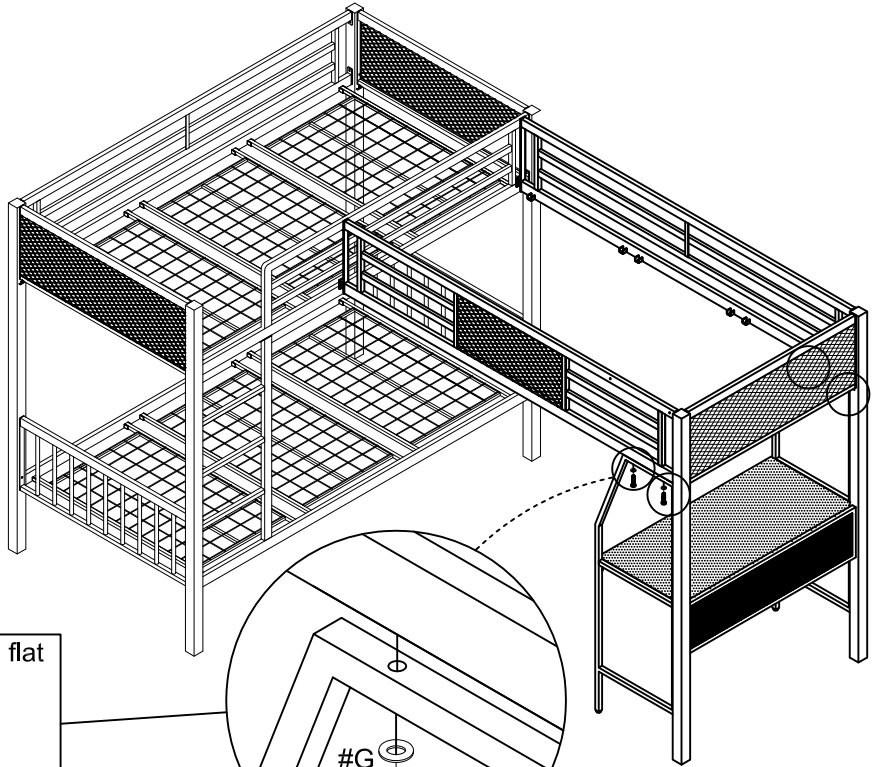
# ASSEMBLY INSTRUCTIONS

## 11

Hardware #D x4pcs

Hardware #G x4pcs

Hardware #I x1pc



Prepare 4 bolts assembly by inserting flat washer (#G) onto bolts (#D). Secure bottom holes, where the side rails are resting on the desk, with bolts (#D).

## 12

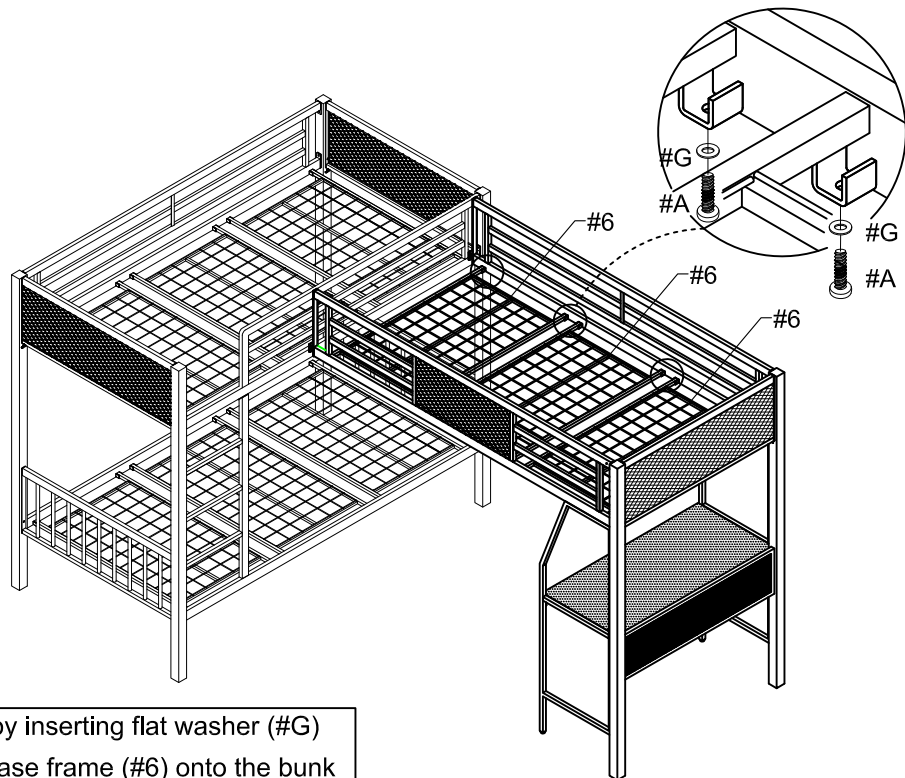
### #12

Part #6 x 3pcs

Hardware #A x12pcs

Hardware #G x12pcs

Hardware #I x1pc

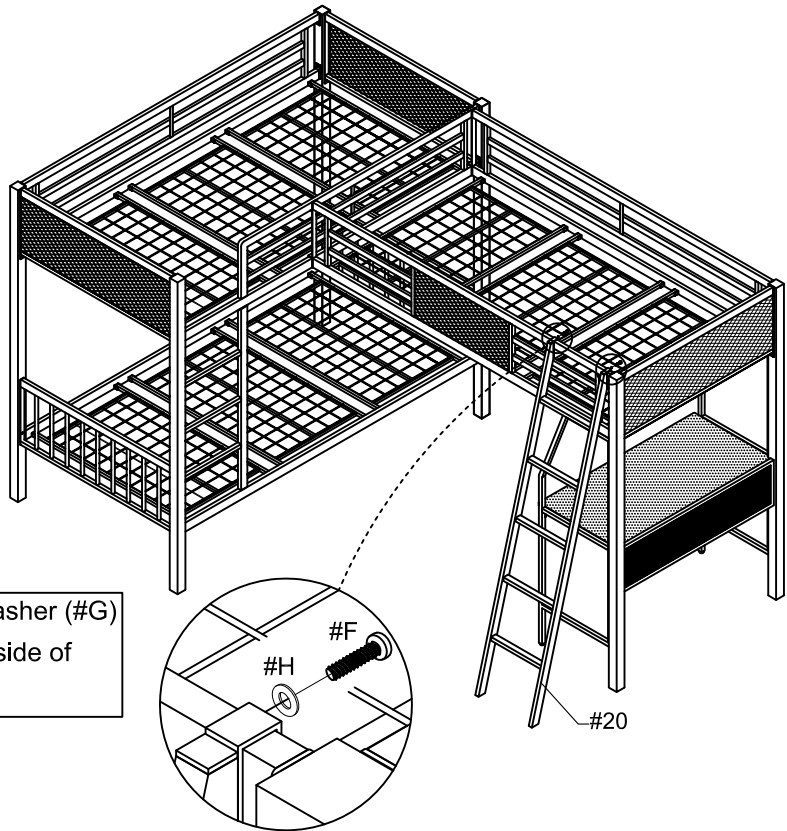


Prepare 12 bolts assembly by inserting flat washer (#G) onto bolts (#A). Place bed base frame (#6) onto the bunk bed on top of desk. Secure with bolts (#A).

# ASSEMBLY INSTRUCTIONS

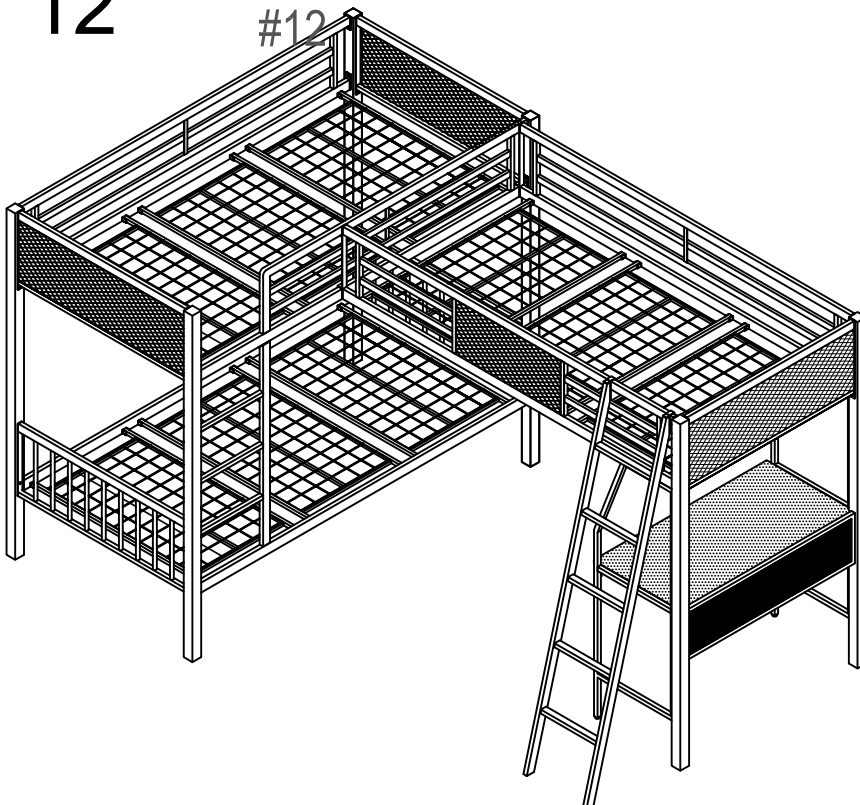
## 13

- Part #20 x1pc
- Hardware #F x2pcs
- Hardware #H x2pcs
- Hardware #J x1pc



Prepare 2 bolts assembly by inserting flat washer (#G) onto bolts (#F). Place ladder (#20) onto the side of bunk bed with desk. Secure with bolts (#F).

## 12



### ASSEMBLY COMPLETED



Please ensure the furniture rests on an even and flat surface. If the product wobbles or feels loose, double-check all bolts and/or screws are properly tightened and secured.



#### Keep this handy!

Please retain this instruction manual and any order-related information for future reference.



#### Lift, don't drag!

To avoid damage to product please always LIFT the product when transporting or adjusting the placement.

## Safety Warnings

1. Follow the information on the warnings appearing on the upper bunk end structure and on the carton. Do not remove warning label from bed.
2. Always use the recommended size mattresses or mattress supports, or both, to help prevent the likelihood of entrapment or falls.
3. Surface of mattress must be at least 5 in. (127mm) below the upper edge of guardrails .
4. Do not allow children under 6 years of age to use the upper bunk.
5. Periodically check and ensure that the guardrail, ladder, and other components are in their proper position, free from damage, and that all connectors are tight.
6. Do not allow horseplay on or under the bed and prohibit jumping on the bed.
7. Always use the ladder for entering and leaving the upper bunk.
8. Do not use substitute parts, Contact the manufacturer or dealer for replacement parts.
9. Use of a night light may provide added safety precaution for a child using the upper bunk.
10. Always use guardrails on both long sides of the upper bunk. If the bunk bed will be placed next to the wall, the guardrail that runs the full length of the bed should be placed against the wall to prevent entrapment between the bed and wall.
11. The use of water or sleep flotation mattress is prohibited .
12. Keep these instructions for future reference.
13. Use only mattress which is (74"-75")X(37 $\frac{1}{2}$ "-38 $\frac{1}{2}$ ")X6" on upper bunk and for bottom bunk required (74"-75")X(37 $\frac{1}{2}$ "- 38 $\frac{1}{2}$ ")X8" mattress.
14. Prohibit more than one person on upper bunk.
15. Maximum total weight is not to exceed 400 lbs. on the upper bunk.

### STRANGULATION HAZARD:

Never attach or hang items to any part of the bunk bed that are not designed for use with the bed, for example, but not limited to, hooks, belts, and jump ropes.