

ASSEMBLY INSTRUCTIONS

MODEL #

CM-BK1037F

Questions?

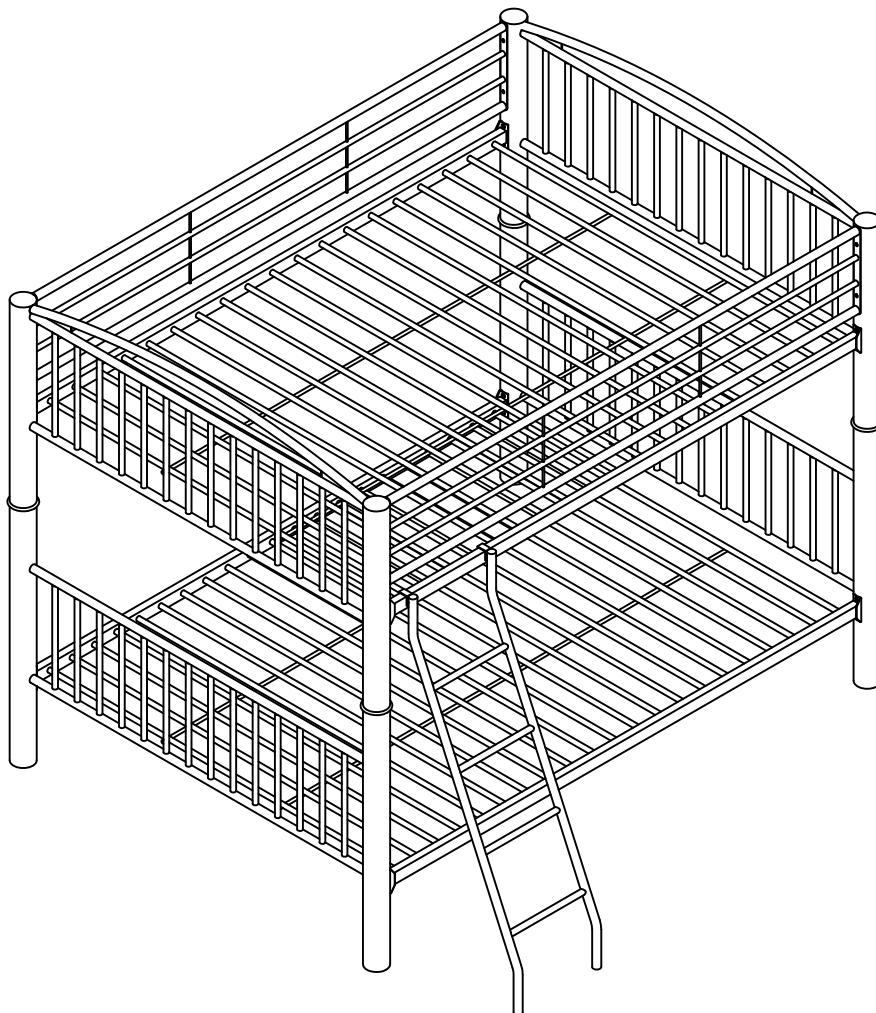
GIVE US CALL: 1-888-980-5122
MON-FRI 8:30AM - 5:30PM (PST)

TOOLS REQUIRED



Allen Wrench

(Included)



**3 - People
Recommended**

ASSEMBLY RATING



EASY → DIFFICULT

The Assembly Rating is a 5-point system showing the level of effort needed to assemble a specific product.



FOA Intro


Thank you for your purchase!

We hope you enjoy this new addition to your home for many years to come.

Our commitment to providing quality products does not simply end when you purchase our product. We fully stand behind our products from start to finish. Our customer service department is available Monday – Friday 8:30 AM – 5:30 PM Pacific and can help with assembly questions as well as, if necessary, replacing damaged or missing parts. To help expedite our service, please have these assembly instructions readily available, along with your order receipt.

 **Consumer Hotline**
Toll-Free 1-888-980-5122

 **WEBSITE**
www.foagroup.com

 **Monday to Friday**
8:30AM- 5:30PM (PST)

 **E-MAIL**
cs.ec@foagroup.com

    foagroup

 FurnitureOfAmerica

CHECK BEFORE STARTING

Are you missing anything?

Double-check all parts, hardware and accessories listed on Page 6 are accounted for.

Should we send any replacements?

Are there any irregularities or flaws in the parts? We can send replacements!

Check out our Quick Tips!

We recommend reviewing the pre-assembly handouts. Even experts need a refresher now and then!

Prep Time!

Please review the assembly instructions and all diagrams prior to assembling. Set up your work-space by laying the parts and hardware out separately, then begin!

PRE ASSEMBLY INTRODUCTION

We understand building ready-to-assemble furniture can be a challenging experience for some. To help avoid confusion, we have provided some helpful tips that may speed up the process.



Teamwork

ALWAYS have at least two people to help with transporting and assembling the product to avoid potential injury and/or damage.



Suitable Location

Assembling near the area of the intended location is highly recommended.



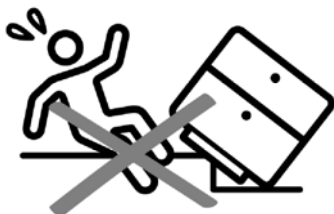
Sufficient Space

Make sure you have enough space to move around during the assembly.



Avoid Scratches

Use cardboard, blankets or a carpeted area while assembling furniture to prevent scratches.



Flat Surface

Make sure the furniture rests on a flat and level surface with each leg evenly touching the floor.

ASSEMBLY AND CARE ADVICE



FAILURE TO FOLLOW THE GUIDELINES BELOW MAY RESULT IN INJURY AND/OR PROPERTY DAMAGE.



Position each part correctly and insert screws or bolts into their respective holes.



Use the appropriate hand tools or power tools for assembly. Select steps, such as tightening screws and/or bolts, may require hand tools to avoid causing damage during assembly.



Turn clockwise to tighten and only tighten when step is completed or when instructed to do so.



Save the instructions and store any supplied tools for later maintenance.



After two weeks, check and tighten any loose hardware and repeat again every six months thereafter.

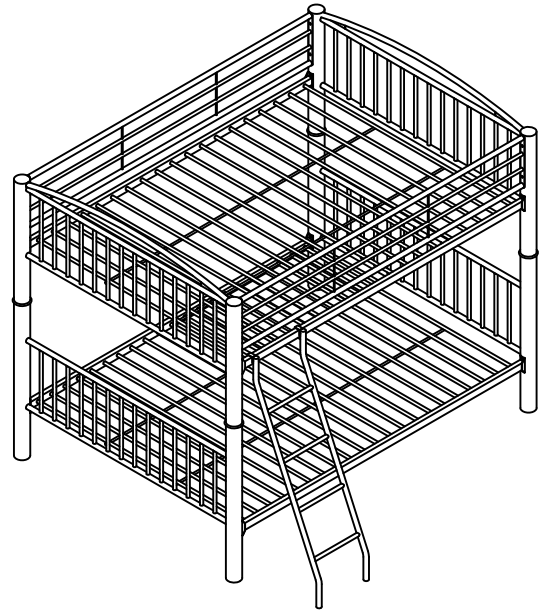
IT IS THE USER'S RESPONSIBILITY TO MAINTAIN THE FURNITURE. THE HARDWARE MAY LOOSEN OVER TIME AND MAY CAUSE THE FURNITURE TO BE WOBBLY AND UNABLE TO SUPPORT ITS INTENDED WEIGHT CAPACITY. THIS MAY LEAD TO COLLAPSE AND MAY CAUSE SERIOUS INJURY.

BUNKBED

CM-BK1037F

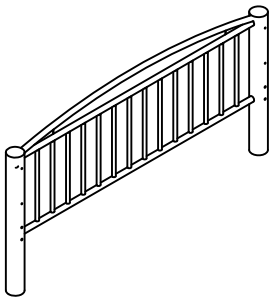


- Please keep instructions for future reference.
- Check the quantity and irregularity of parts and hardware before you start.



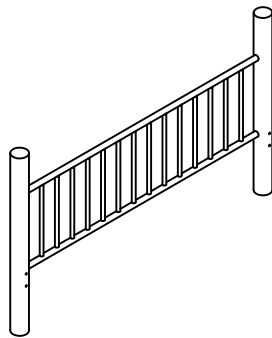
PARTS

#1 2pcs



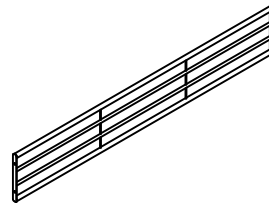
Top Headboard & Footboard

#2 2pcs



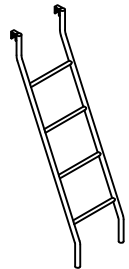
Bottom Headboard & Footboard

#3 2pcs



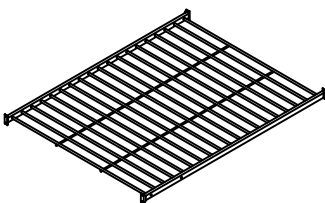
Guardrail

#4 1pc



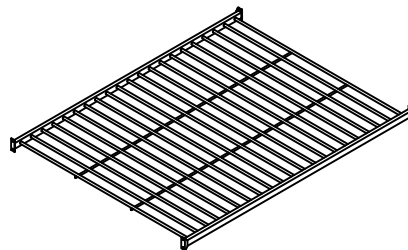
Ladder

#5 1pc



Top Base Frame

#6 1pc



Bottom Base Frame

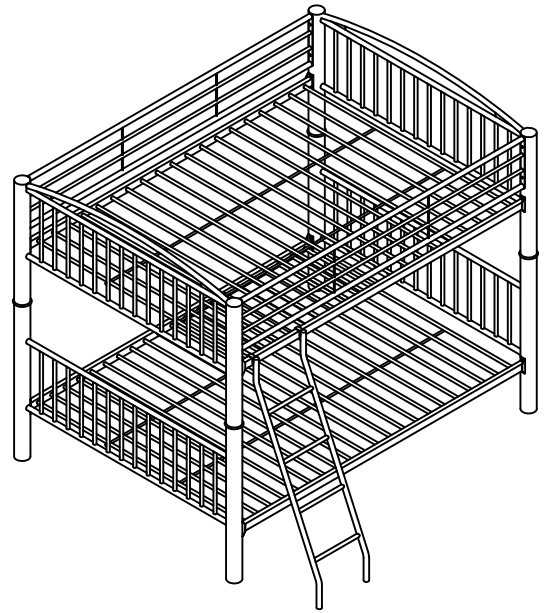
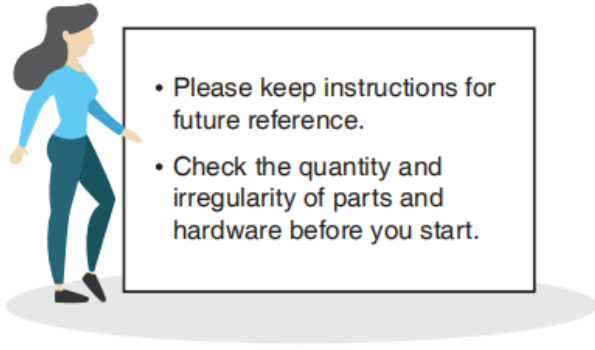
#7 4pcs



Post Connector

BUNKBED

CM-BK1037F



HARDWARE

#A 2pcs



Bolt 1/4" x 1-3/4"
(White)

#B 8pcs



Bolt 1/4" x 3/4"
(White)

#C 16pcs



Bolt 5/16" x 3/4"
(White)

#D 10pcs



Flat Washer
16mm (White)

#E 10pcs



Spring Washer
11mm (White)

#F 16pcs



Flat Washer
18mm (White)

#G 16pcs



Spring Washer
13mm (White)

#H 1pc



Allen Wrench
4 x 4 mm (White)

#I 1pc



Allen Wrench
5 x 5 mm (White)

#J 8pcs



PLASTIC CAP
3"
(only to be used when
beds are separated)

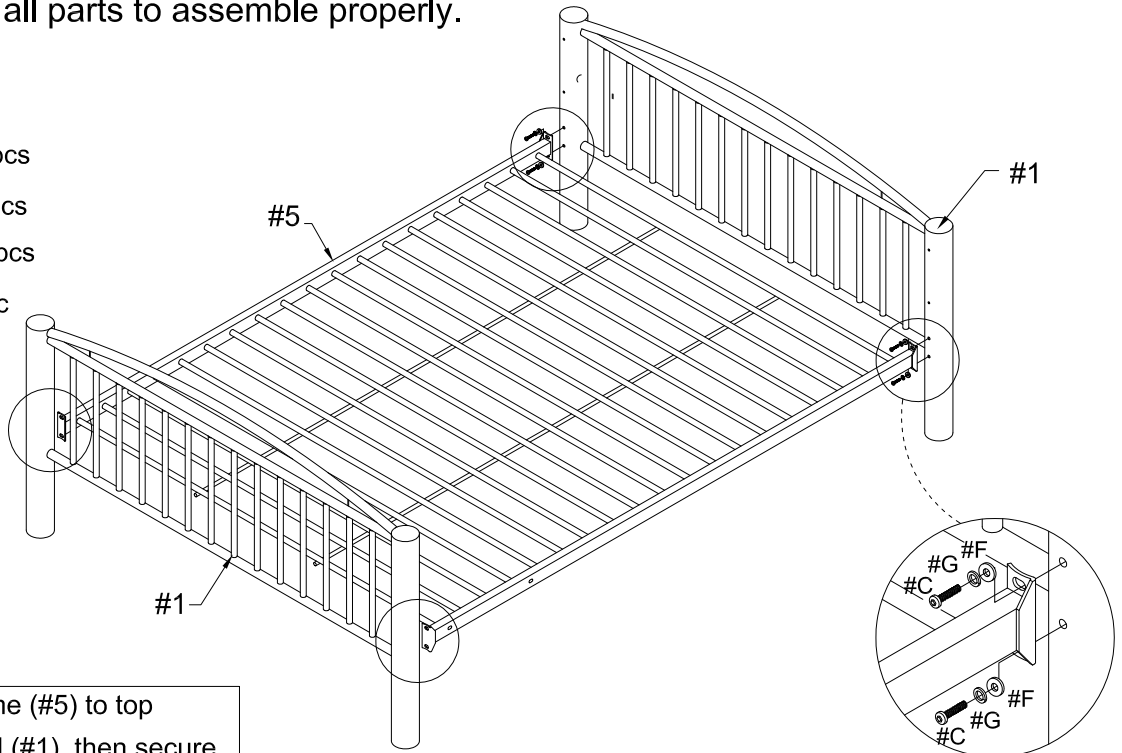
ASSEMBLY INSTRUCTIONS

ASSEMBLY

Do not fully tighten all bolts until assembly is complete. This will help all parts to assemble properly.

1

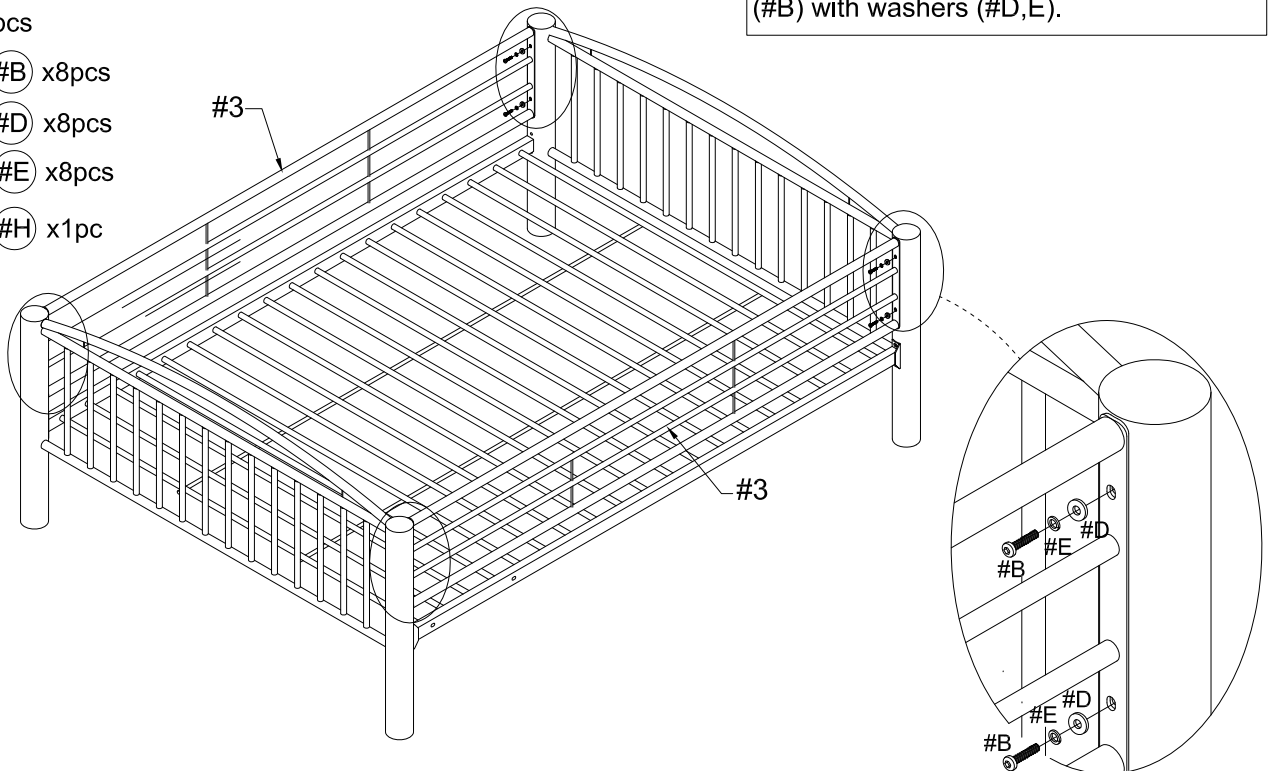
- Part #1 x2pcs
- Part #5 x1pc
- Hardware #C x8pcs
- Hardware #F x8pcs
- Hardware #G x8pcs
- Hardware #I x1pc



Align the top base frame (#5) to top headboard & footboard (#1), then secure by using bolts (#C) with washers (#F,G).

2

- Part #3 x2pcs
- Hardware #B x8pcs
- Hardware #D x8pcs
- Hardware #E x8pcs
- Hardware #H x1pc

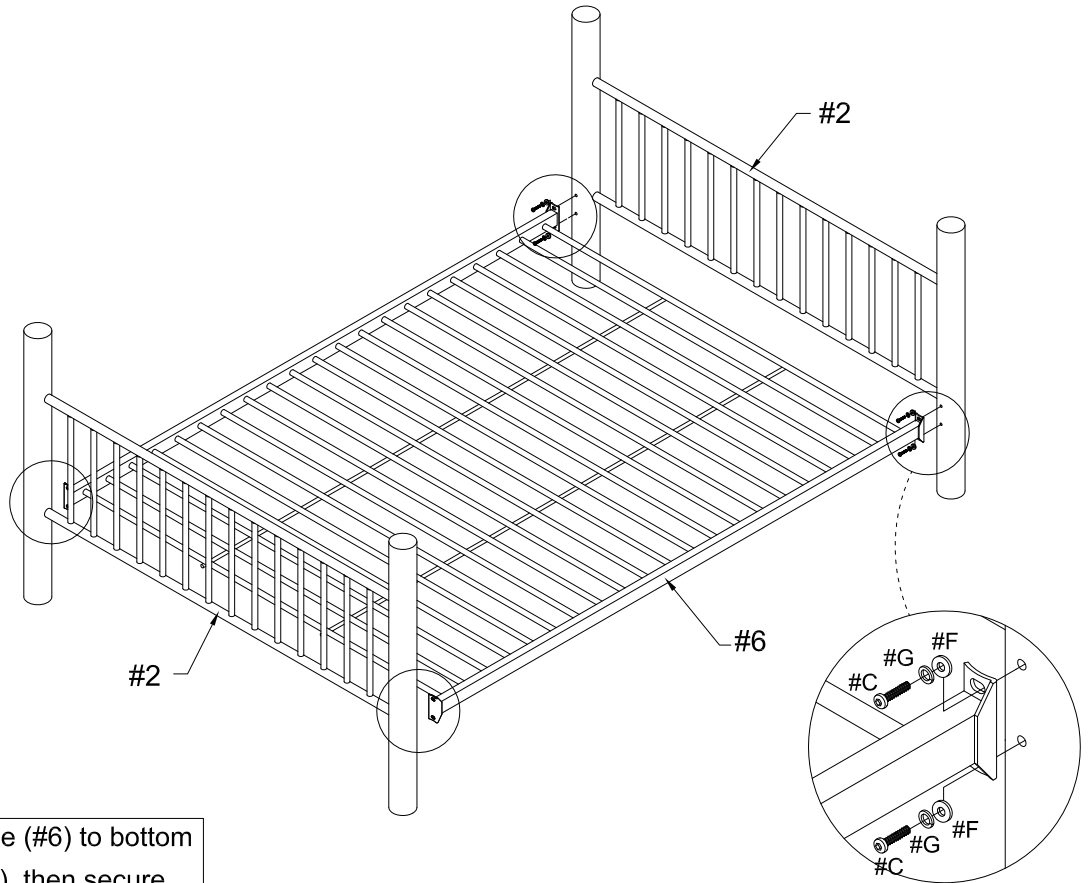


Align the guardrail (#3) to top headboard & footboard (#1), then secure by using bolts (#B) with washers (#D,E).

ASSEMBLY INSTRUCTIONS

3

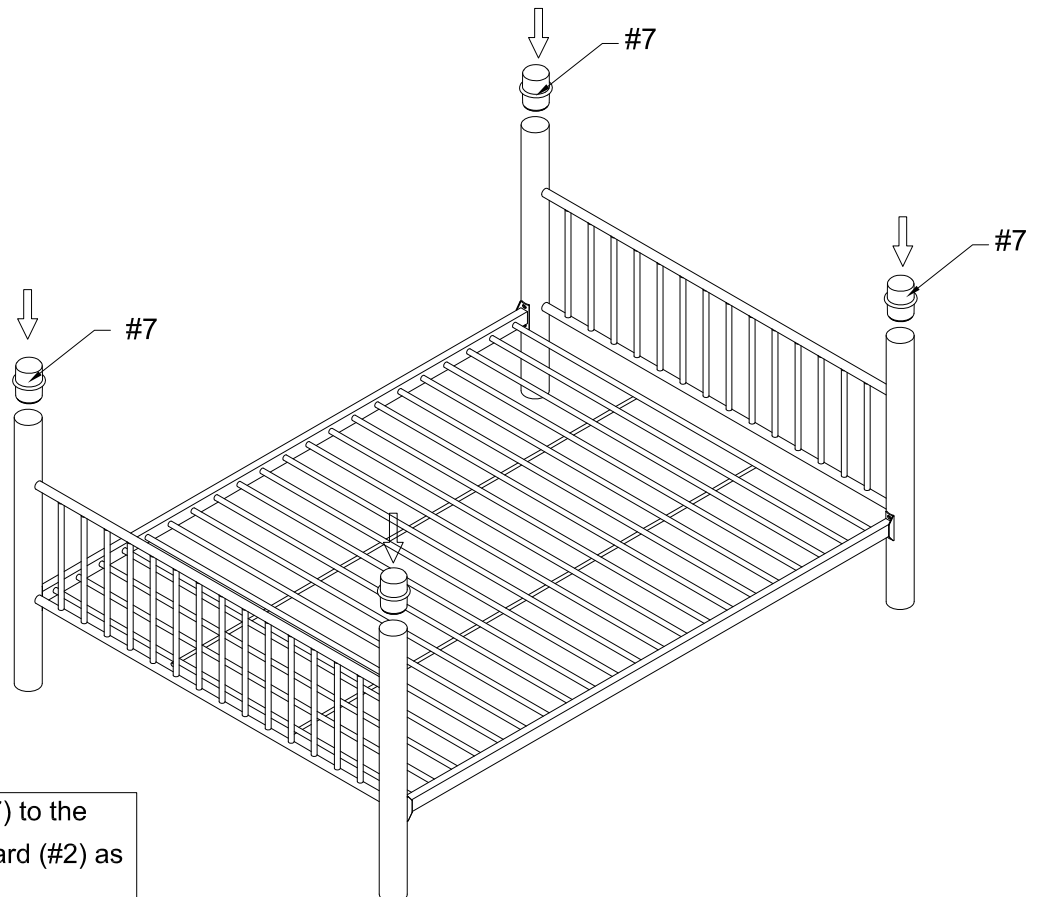
- Part #2 x2pcs
- Part #6 x1pc
- Hardware #C x8pcs
- Hardware #F x8pcs
- Hardware #G x8pcs
- Hardware #I x1pc



Align the bottom base frame (#6) to bottom headboard & footboard (#2), then secure by using bolts (#C) with washers (#F, #G).

4

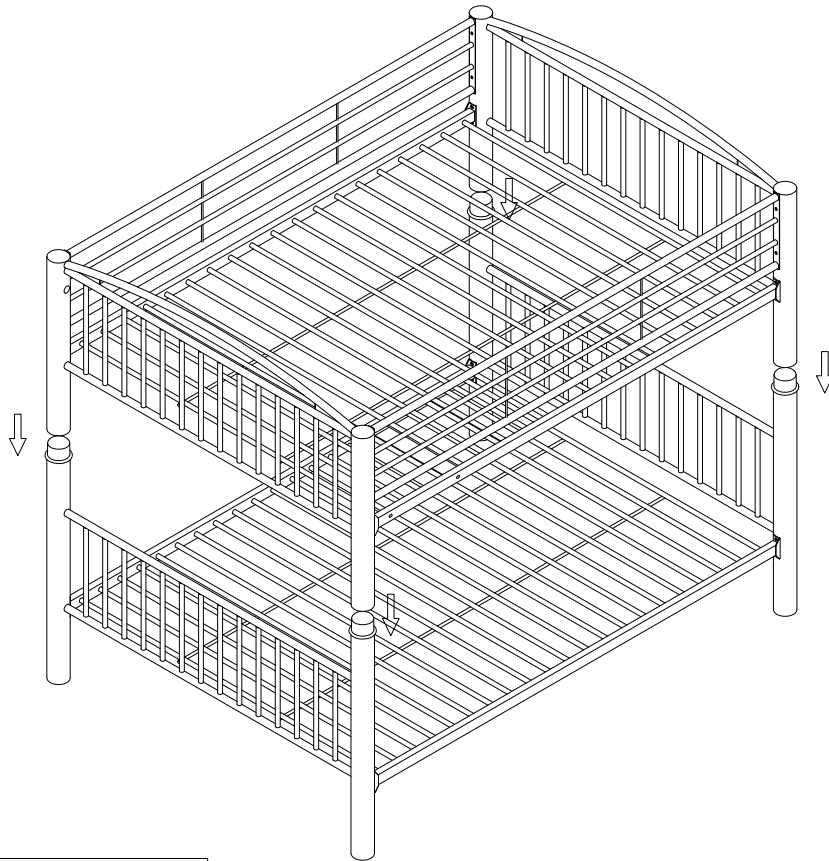
- Part #7 x4pcs



Align the post connector (#7) to the bottom headboard & footboard (#2) as shown in the diagram.

ASSEMBLY INSTRUCTIONS

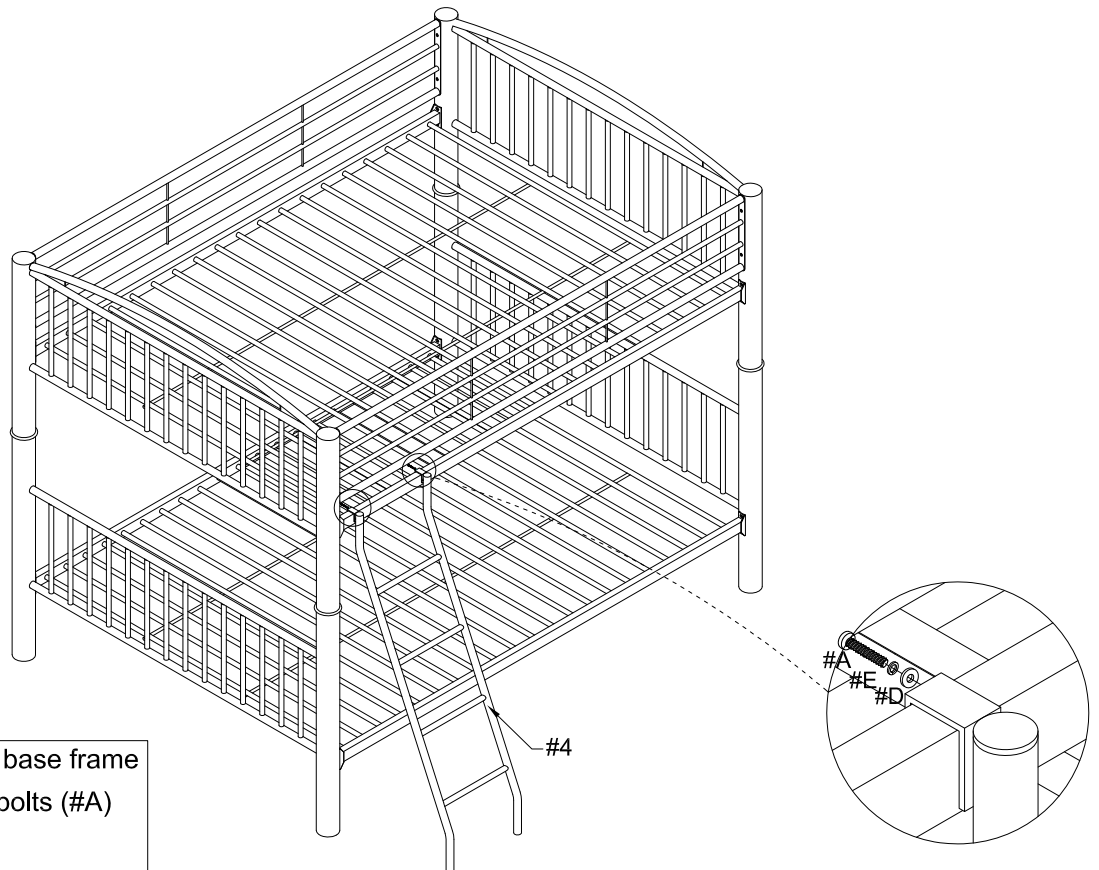
5



Placing the top bed over the lower bed.

6

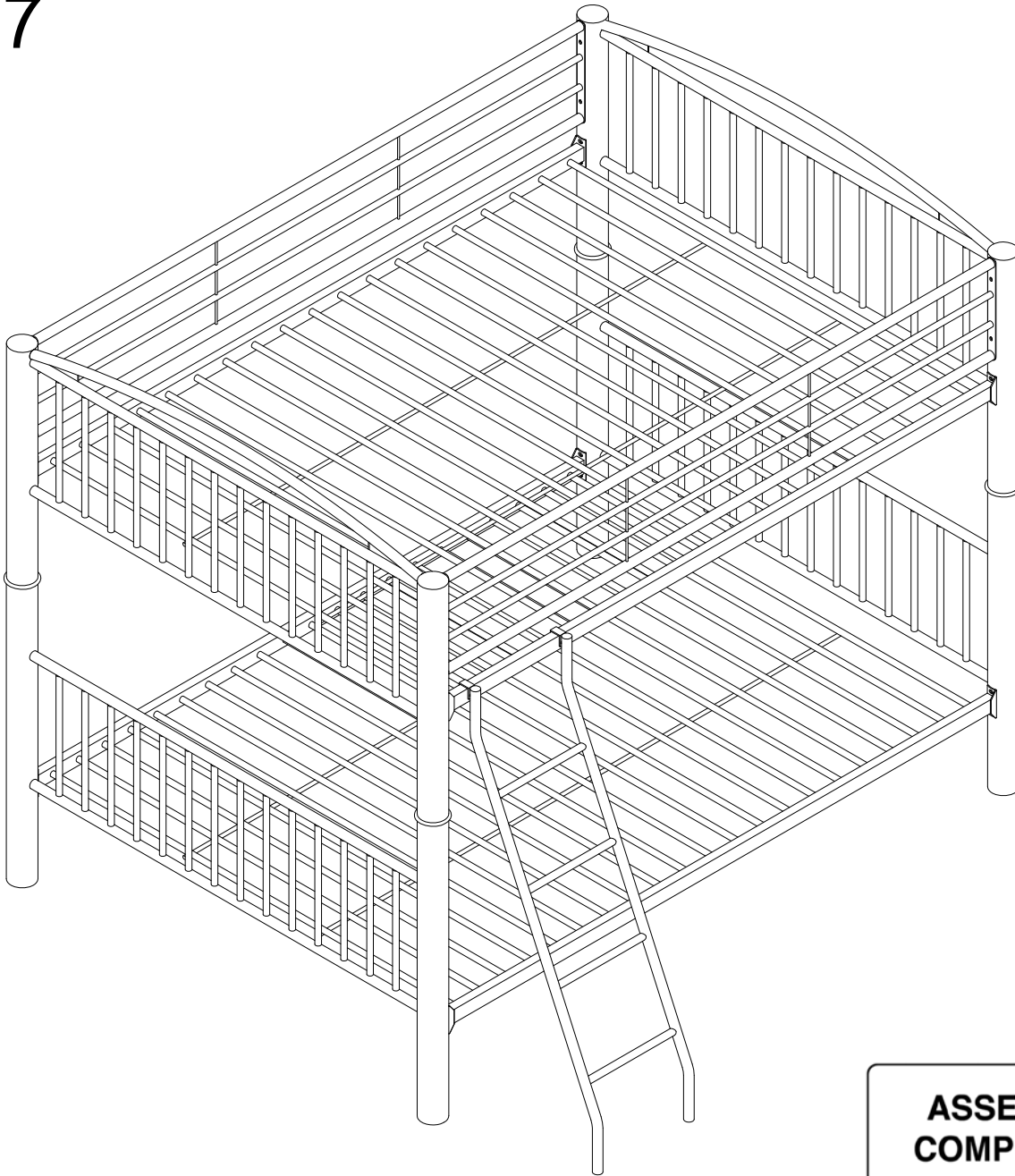
- Part #4 x1pc
- Hardware #A x2pcs
- Hardware #D x2pcs
- Hardware #E x2pcs
- Hardware #H x1pc



Align the ladder (#4) to top base frame (#5), then secure by using bolts (#A) with washers (#D,#E).

ASSEMBLY INSTRUCTIONS

7



NOTE:

The bunkbed can be converted into two separate full-size bed.

TO REMOVE THE ASSEMBLED BUNK BED FOR USE AS SEPARATE BEDS, PLEASE FOLLOW STEPS 8-12 ON THE FOLLOWINGS PAGES.

ASSEMBLY COMPLETED



Please ensure the furniture rests on an even and flat surface. If the product wobbles or feels loose, double-check all bolts and/or screws are properly tightened and secured.

✓ **Keep this handy!**

Please retain this instruction manual and any order-related information for future reference.

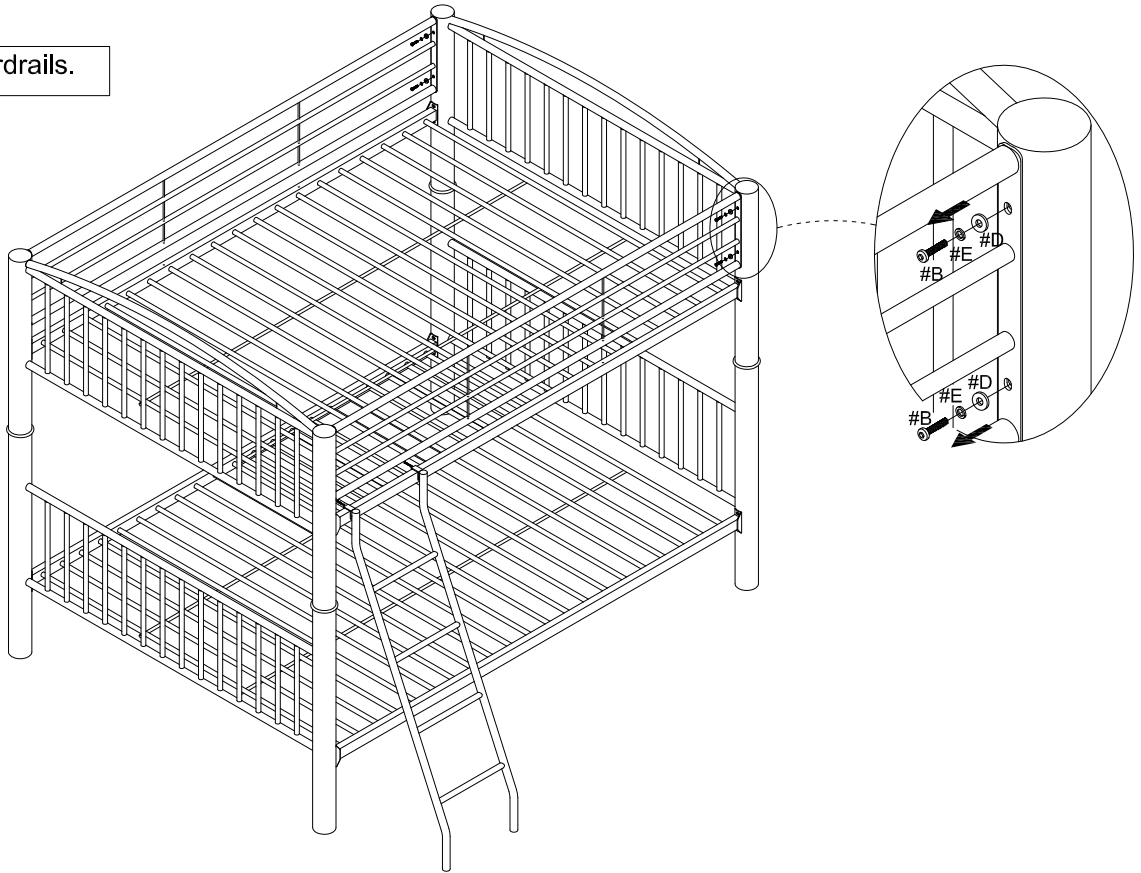
✓ **Lift, don't drag!**

To avoid damage to product please always LIFT the product when transporting or adjusting the placement.

ASSEMBLY INSTRUCTIONS

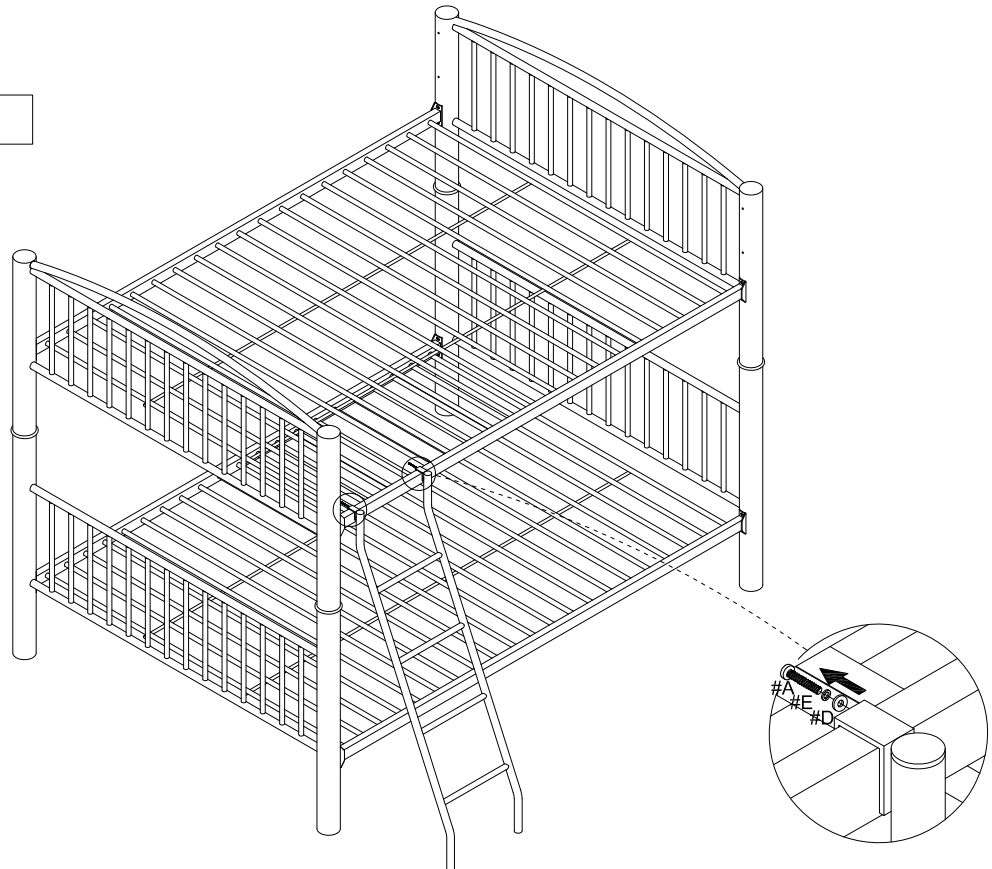
8

Remove the guardrails.



9

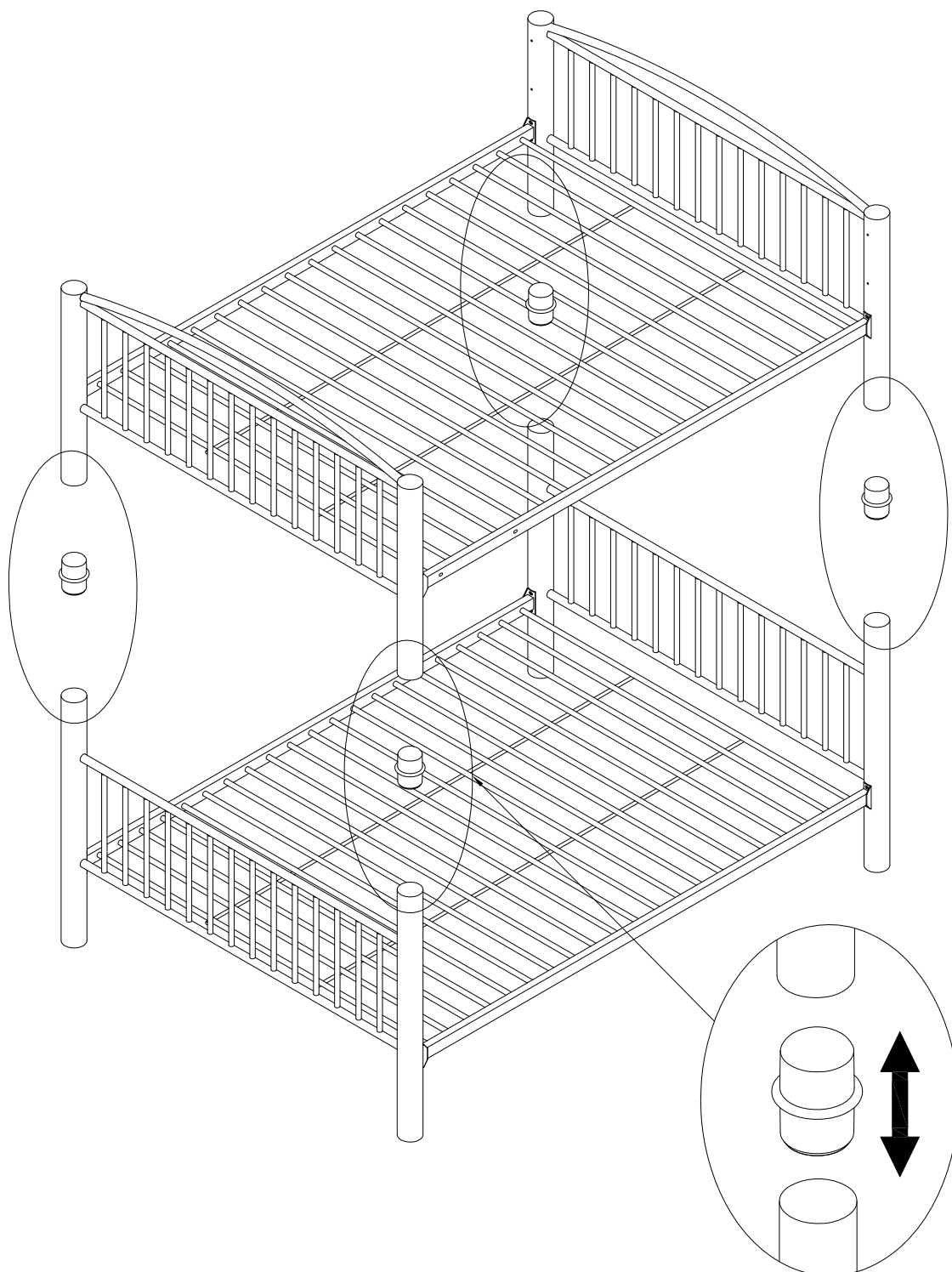
Remove the ladder.



ASSEMBLY INSTRUCTIONS

10

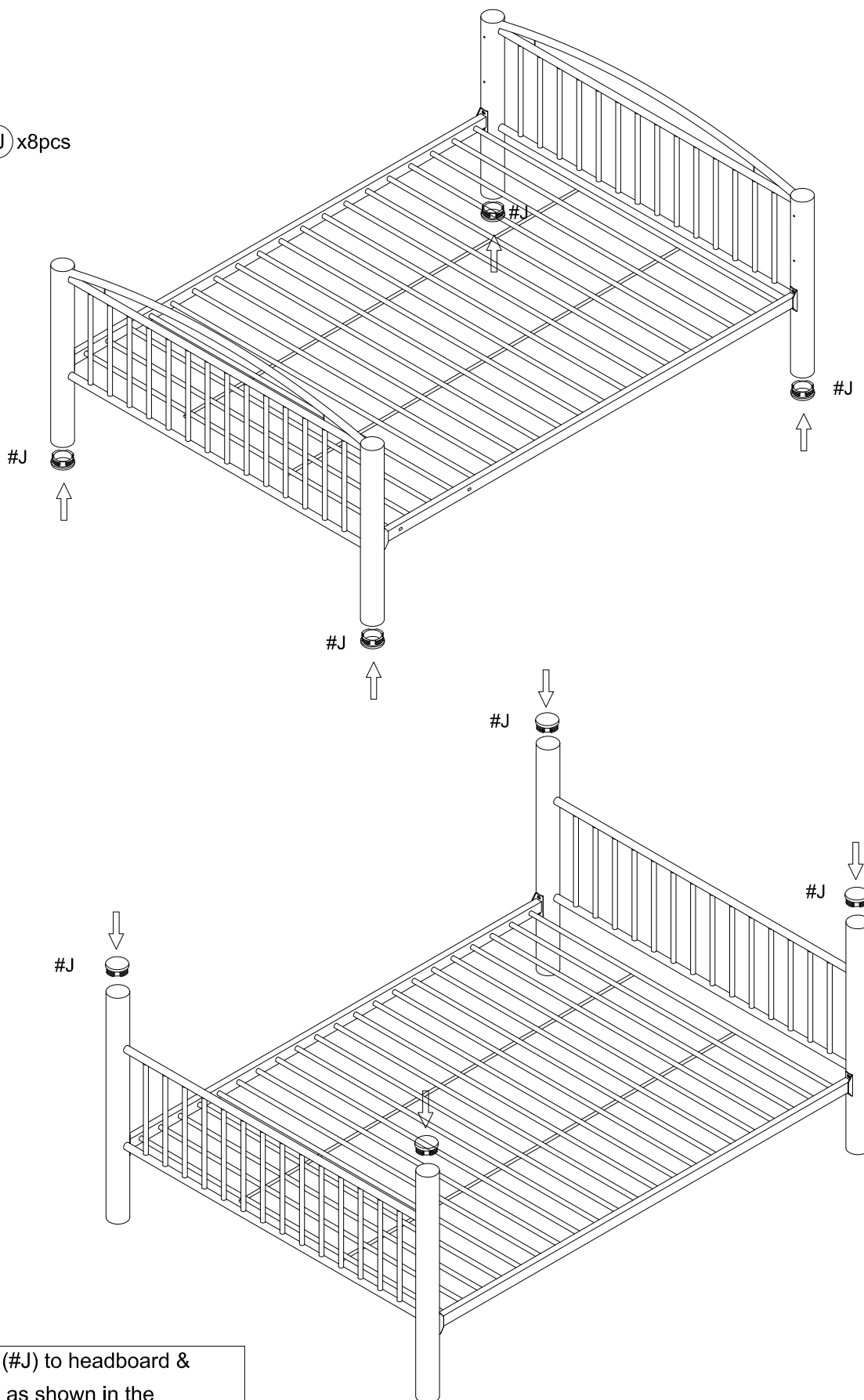
Remove the post connectors.



ASSEMBLY INSTRUCTIONS

11

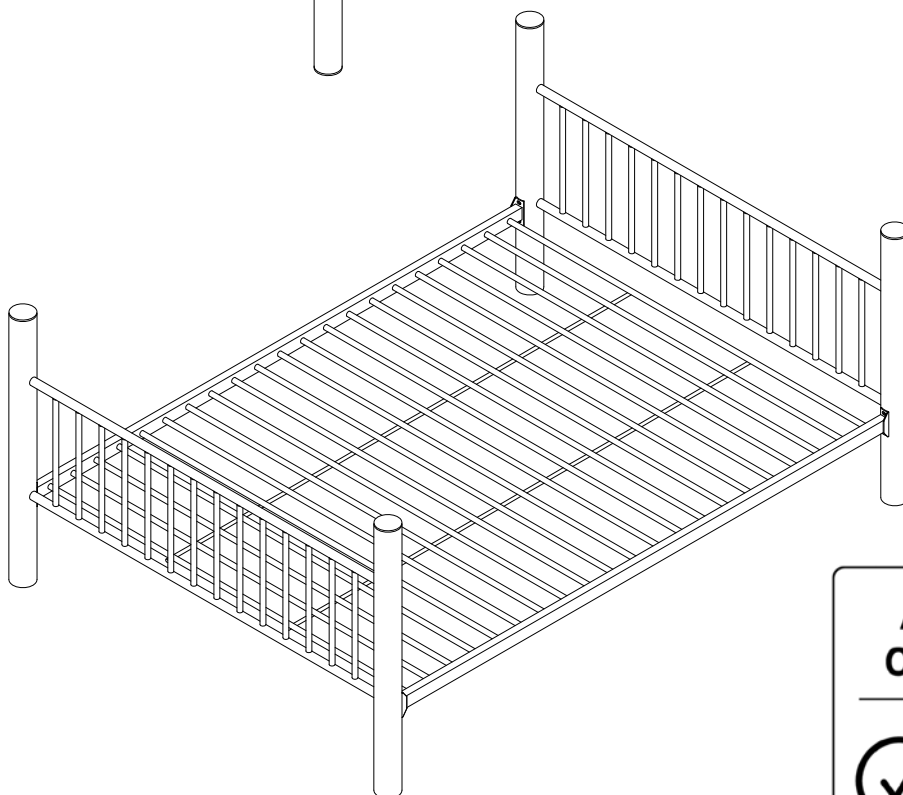
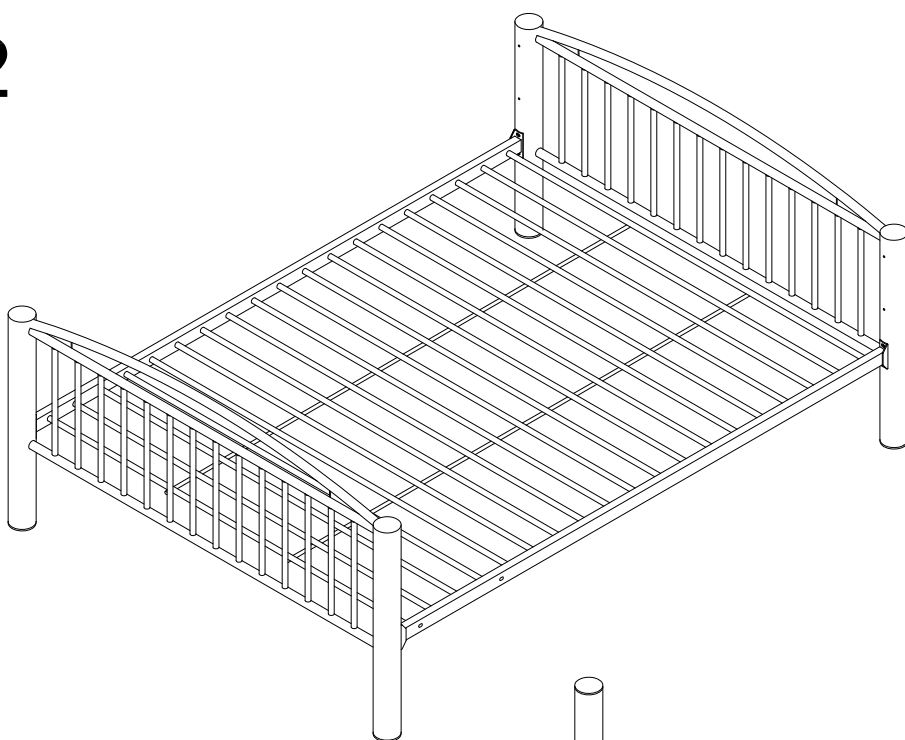
Hardware (#J) x8pcs



Align plastic caps (#J) to headboard & footboard (#1, #2) as shown in the diagram..

ASSEMBLY INSTRUCTIONS

12



ASSEMBLY COMPLETED



Please ensure the furniture rests on an even and flat surface. If the product wobbles or feels loose, double-check all bolts and/or screws are properly tightened and secured.

✓ Keep this handy!

Please retain this instruction manual and any order-related information for future reference.

✓ Lift, don't drag!

To avoid damage to product please always LIFT the product when transporting or adjusting the placement.

Safety Warnings

1. Follow the information on the warnings appearing on the upper bunk end structure and on the carton. Do not remove warning label from bed.
2. Always use the recommended size mattresses or mattress supports, or both, to help prevent the likelihood of entrapment or falls.
3. Surface of mattress must be at least 5 in. (127mm) below the upper edge of guardrails.
4. Do not allow children under 6 years of age to use the upper bunk.
5. Periodically check and ensure that the guardrail, ladder, and other components are in their proper position, free from damage, and that all connectors are tight.
6. Do not allow horseplay on or under the bed and prohibit jumping on the bed.
7. Always use the ladder for entering and leaving the upper bunk.
8. Do not use substitute parts. Contact the manufacturer or dealer for replacement parts.
9. Use of a night light may provide added safety precaution for a child using the upper bunk.
10. Always use guardrails on both long sides of the upper bunk. If the bunk bed will be placed next to the wall, the guardrail that runs the full length of the bed should be placed against the wall to prevent entrapment between the bed and wall.
11. The use of water or sleep flotation mattresses is prohibited.
12. Keep these instructions for future reference.
13. Always use the recommended size mattress or mattress support to prevent the likelihood of being trapped or falling over. The proper mattress size for the UPPER bunk **MUST BE** 74" to 75" long x 53 $\frac{1}{2}$ " to 54 $\frac{1}{2}$ " wide x 6" high (no higher than 6"). The proper mattress size for the LOWER bunk **MUST BE** 74" to 75" long x 53 $\frac{1}{2}$ " to 54 $\frac{1}{2}$ " wide x 8" high.
14. Prohibit more than one person on upper bunk.
15. Maximum total weight is not to exceed 150 lbs on the upper bunk.

STRANGULATION HAZARD:

Never attach or hang items to any part of the bunk bed that are not designed for use with the bed; for example, but not limited to, hooks, belts and jump ropes.