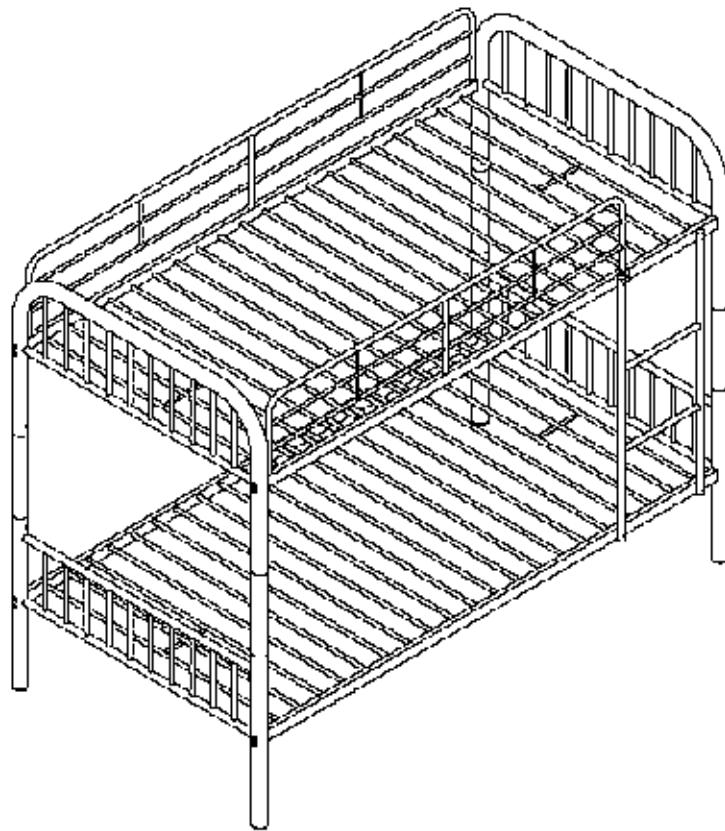


Assembly Instructions

CM-BK1035



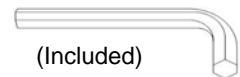
ASSEMBLY RATING

The Assembly Rating is a 5-point system that shows the degree of effort needed in assembling a specific product (with 1 being easy and 5 being difficult). For some products, two persons are recommended.

EASY  DIFFICULT

Tools Required for Assembly:

Allen Wrench



2 PERSONS RECOMMENDED



Furniture of America™

E-commerce Division - Enitial Lab

Thank you for your purchase!

We hope you will enjoy your new product for many years to come. Our commitment to providing quality products does not simply end when a purchase is made. We stand behind our products and will provide any support needed in order for you to fully enjoy your purchase. Your satisfaction is the greatest recognition we could have.

Because we value your trust in our company, we will do our best to meet your service expectations. Should you have any assembly related questions, parts replacement requests, comments or suggestions, please feel free to contact us any time. To help expedite the service, please have the assembly instructions available, along with your order receipt.



www.foagroup.com



cs.ec@foagroup.com



Toll-Free 1-888-980-5122 or 1-626-363-9311



1-626-270-4451



Monday to Friday 8:30 a.m. to 5:30 p.m. (PST)



<https://twitter.com/foagroup>

<http://instagram.com/foagroup#>

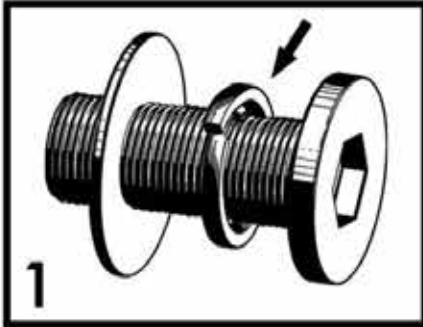
<http://www.pinterest.com/foagroup/>

<https://www.youtube.com/user/FurnitureOfAmerica>

ASSEMBLY & CARE ADVICE

FOR YOUR FURNITURE TO LAST, CORRECT ASSEMBLY AND PROPER MAINTENANCE ARE NECESSARY. PLEASE FOLLOW THE INFORMATION PROVIDED BELOW TO FULLY ENJOY YOUR FURNITURE.

BASIC ASSEMBLY TECHNIQUES



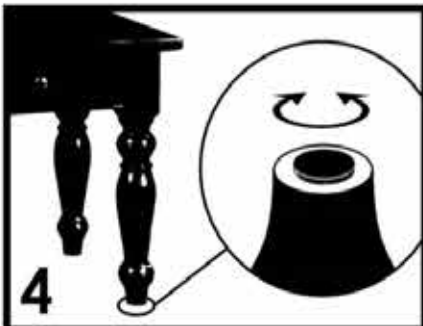
1 When lock or spring washer is used in an assembly, please make sure the lock or spring washer is placed between the larger flat washer and the head of the screw or bolt.



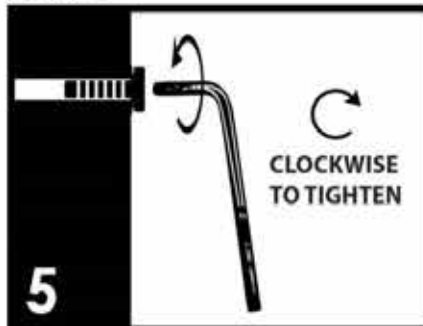
2 Position each part correctly and insert screws or bolts into their respective holes by hand tighten or using the proper hand tool. Only tighten when step is completed or when instructed to do so.



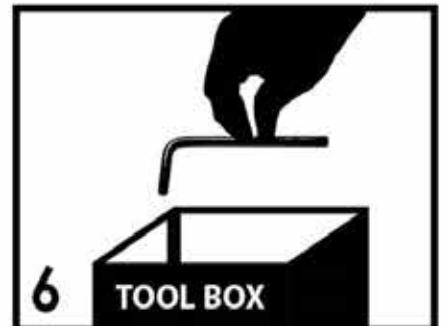
3 Use cardboard or carpet area when assembling furniture to prevent scratches. Make sure the furniture rests on a flat and level surface with each leg evenly touching the floor.



4 Some furniture comes with height adjustment knobs underneath each leg. To lower or to raise each leg, you need to turn clockwise or counterclockwise, respectively.



5 Make sure all parts are properly aligned, then use the appropriate hand tool to completely tighten the bolts or screws. Do not use power tools and do not overtighten.



6 Save the instructions and store the Allen wrench or any supplied tool for later maintenance. After two weeks, check and tighten any loose hardware and repeat again every six months thereafter.

IT IS THE USER'S RESPONSIBILITY TO MAINTAIN THE FURNITURE. THE HARDWARE MAY LOOSEN OVER TIME AND MAY CAUSE THE FURNITURE TO BE WOBBLY AND UNABLE TO SUPPORT ITS INTENDED WEIGHT CAPACITY. THIS MAY LEAD TO COLLAPSE AND MAY CAUSE SERIOUS INJURY.



FAILURE TO FOLLOW THE GUIDELINES ABOVE MAY RESULT IN INJURY AND/OR PROPERTY DAMAGE.



Before you begin, please read Page 3 for “Assembly and Care Advice” AND Page 12 for “Safety Warnings”.

And remember, do not tighten until each step is completed or instructed.

MD

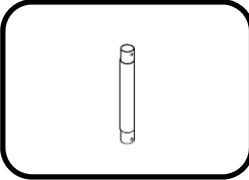
Parts List



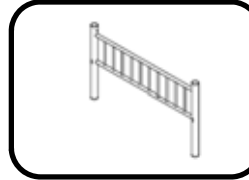
#1 x 1 pc
Left Upper End Rail



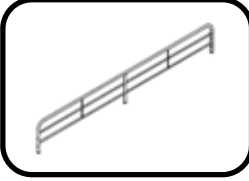
#2 x 1 pc
Right Upper End Rail



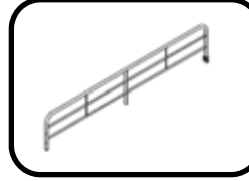
#3 x 4 pcs
Extension Pole



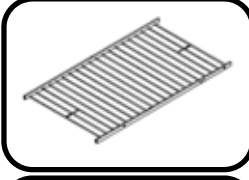
#4 x 2 pcs
Lower End Rail



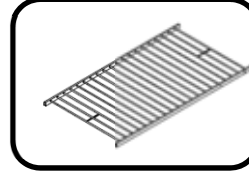
#5 x 1 pc
Rear Guardrail



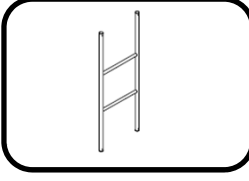
#6 x 1 pc
Front Guardrail



#7 x 1 pc
Upper Bed Frame

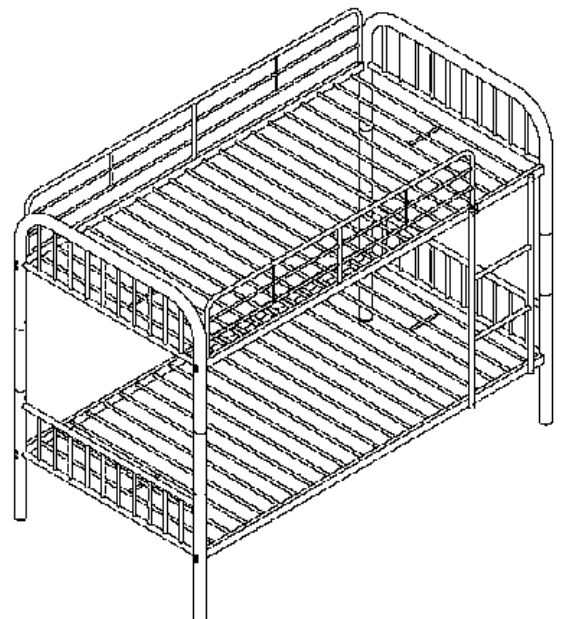


#8 x 1 pc
Lower Bed Frame



#9 x 1 pc
Ladder

Note: Right and left are determined by facing the ladder of the bunk bed in its upright position.





Due to the size and/or weight of this product, it is highly recommended that the assembly should be done near the area of its intended location. Make sure you have enough space to move around during the assembly. ALWAYS have at least two people to help with transporting and assembling the product to avoid any potential injury and/or damage.

Hardware List



#A x 16 pcs
Bolt M6x75



#B x 2 pcs
Bolt M6x55



#C x 4 pcs
Bolt M6x40



#D x 6 pcs
Bolt M6x35



#E x 9 pcs
Bolt M6x12



#F x 1 pc
Barrel Nut



#G x 8 pcs
Spacer

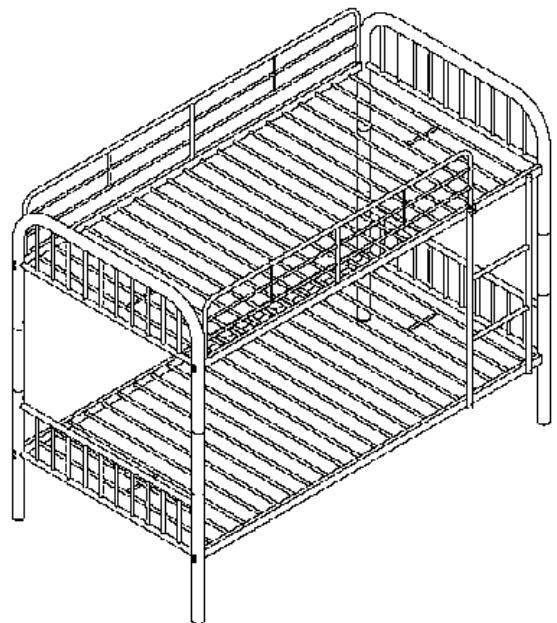


#H x 2 pcs
Allen Wrench



*#I x 8 pcs
Cover

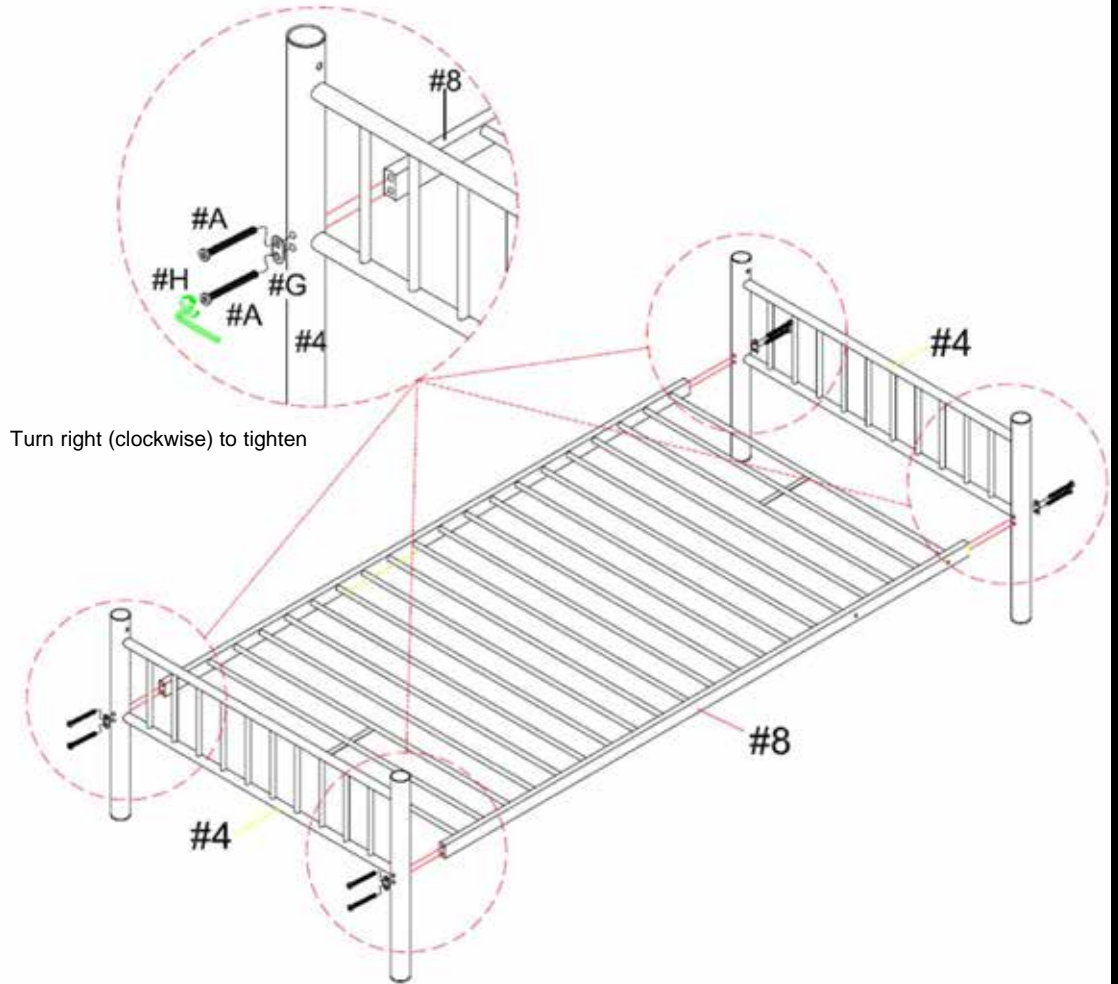
*#I covers are to be used when choosing the separate bed set-up.





#1

#A X 8pcs
#G X 4pcs

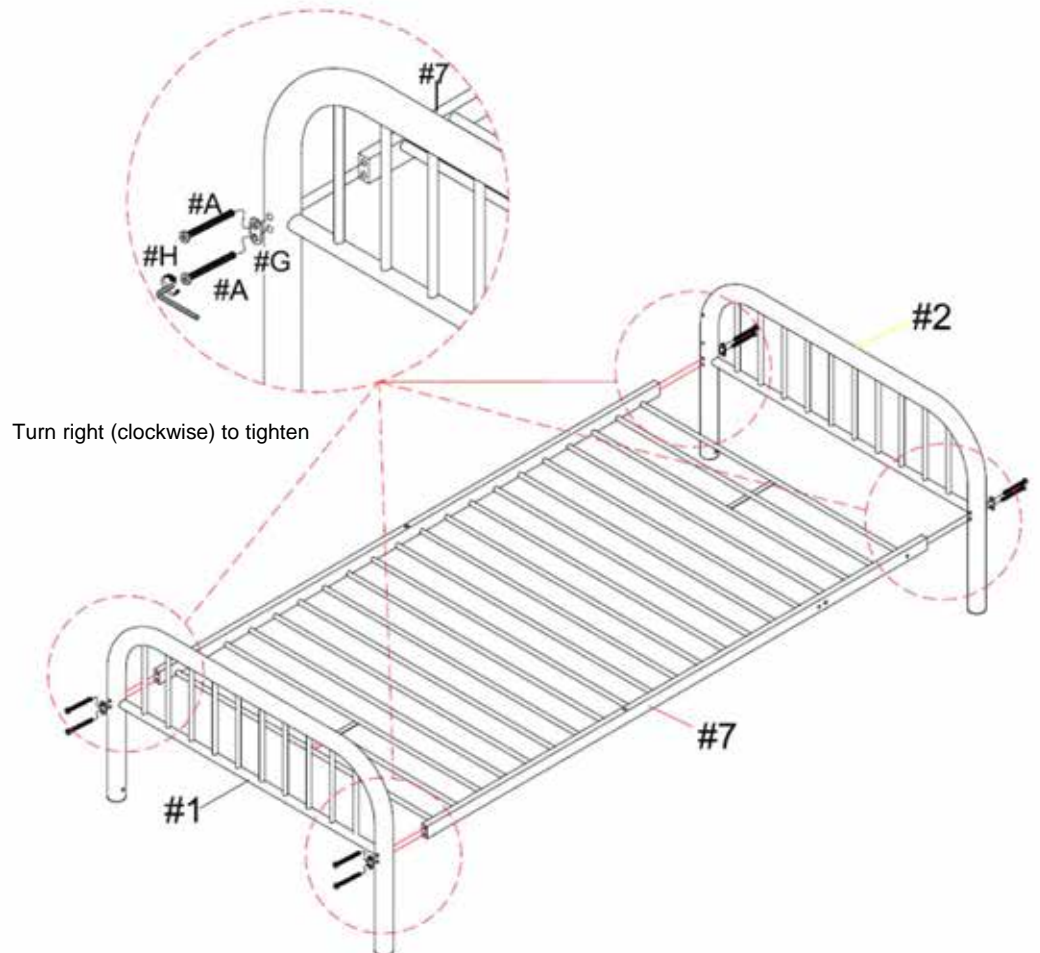


Turn right (clockwise) to tighten



#2

#A X 8pcs
#G X 4pcs

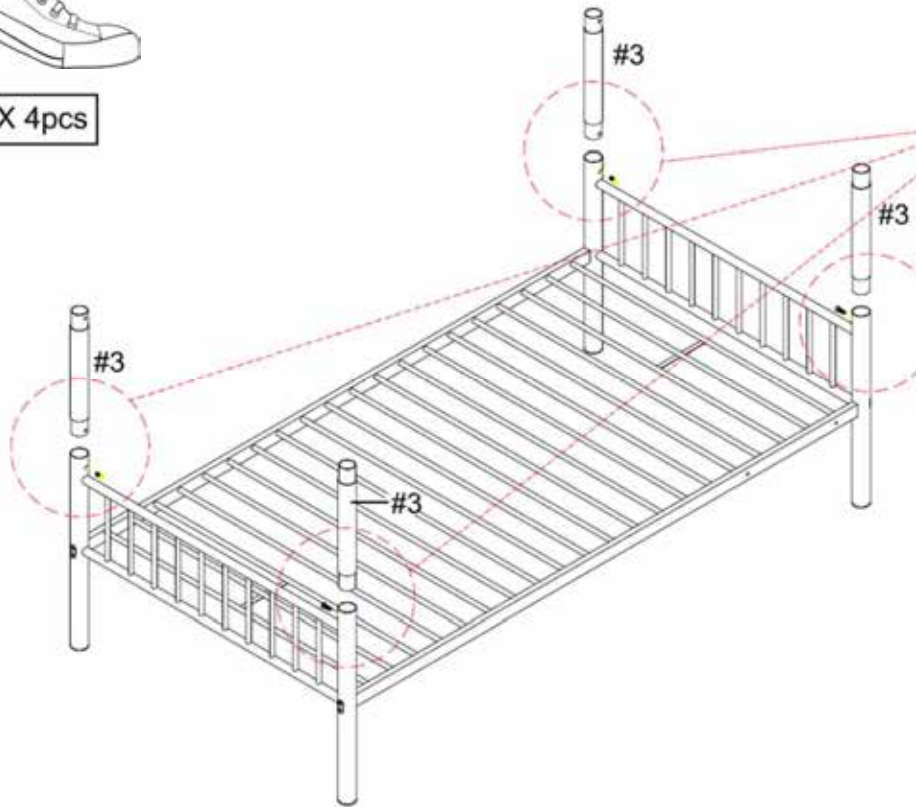


Turn right (clockwise) to tighten

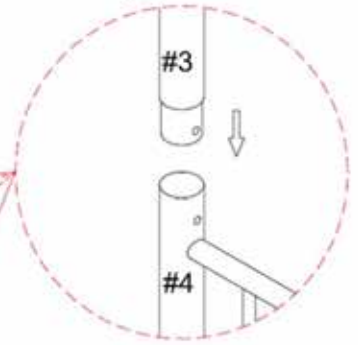


#3

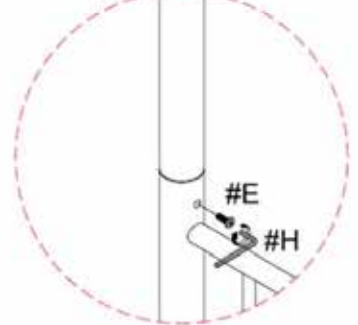
#E X 4pcs



3-1



3-2

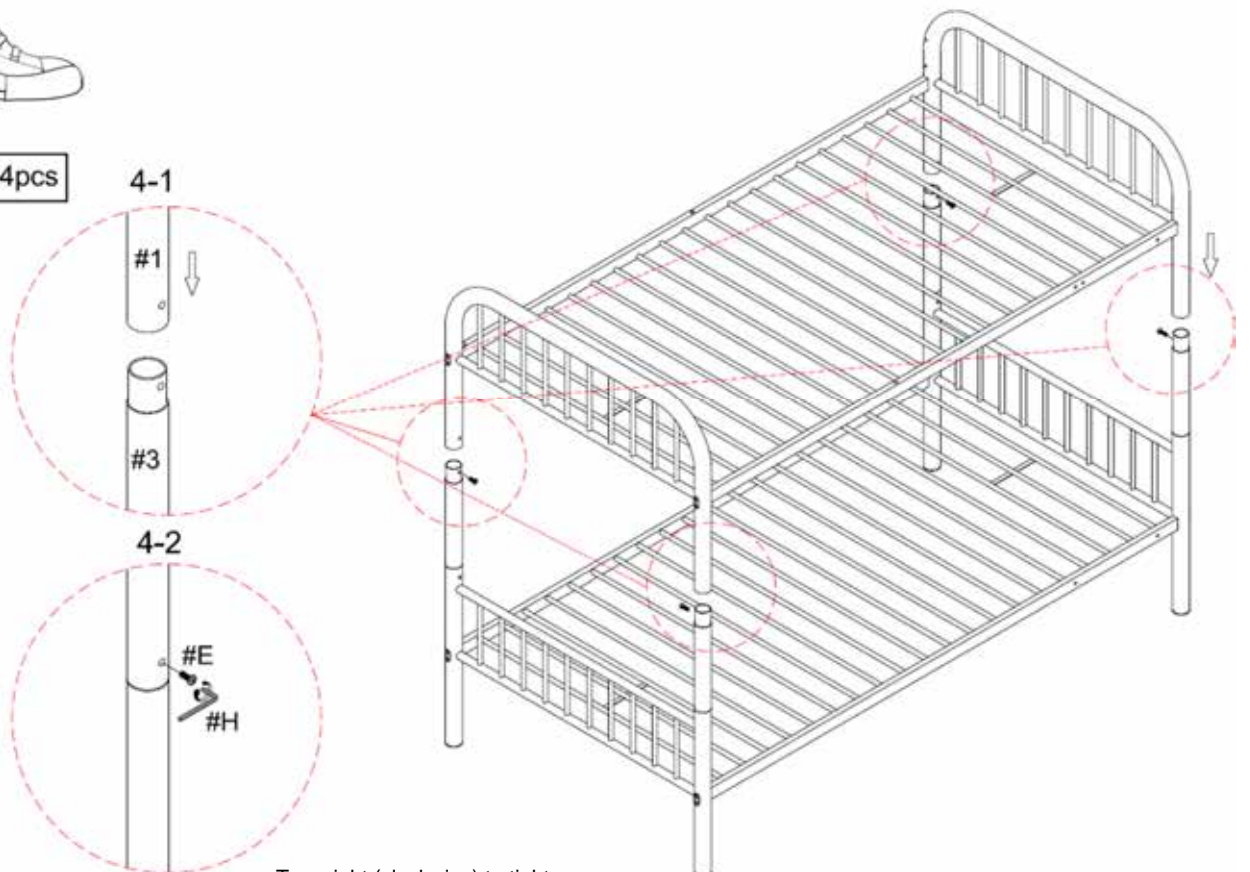


Turn right (clockwise) to tighten

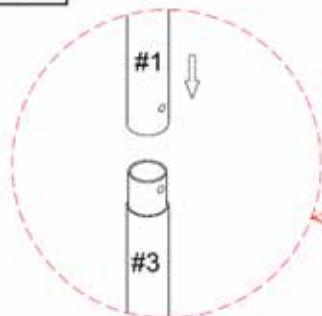


#4

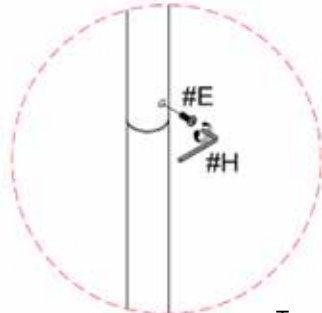
#E X 4pcs



4-1



4-2

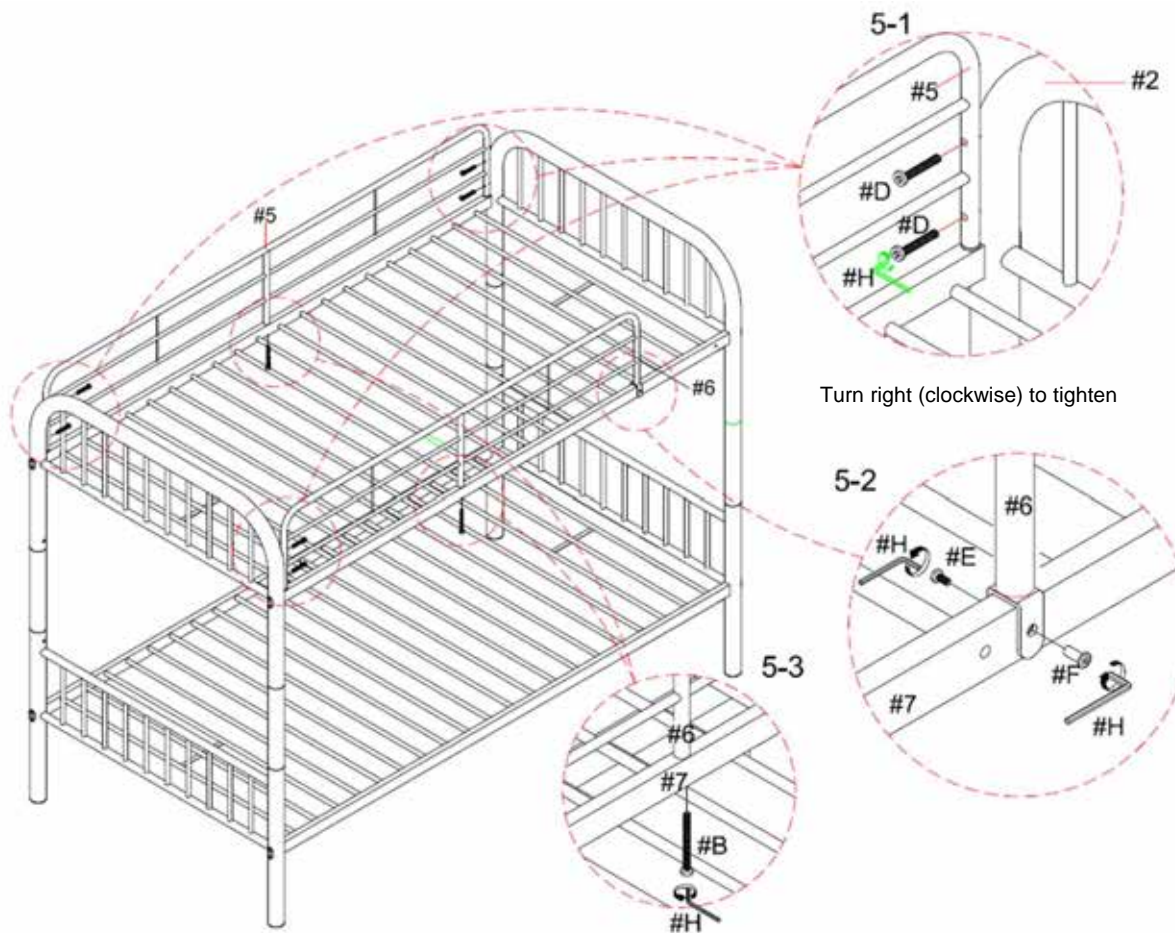


Turn right (clockwise) to tighten



#5

#B X 2pcs
#D X 6pcs
#E X 1pc
#F X 1pc



Turn right (clockwise) to tighten

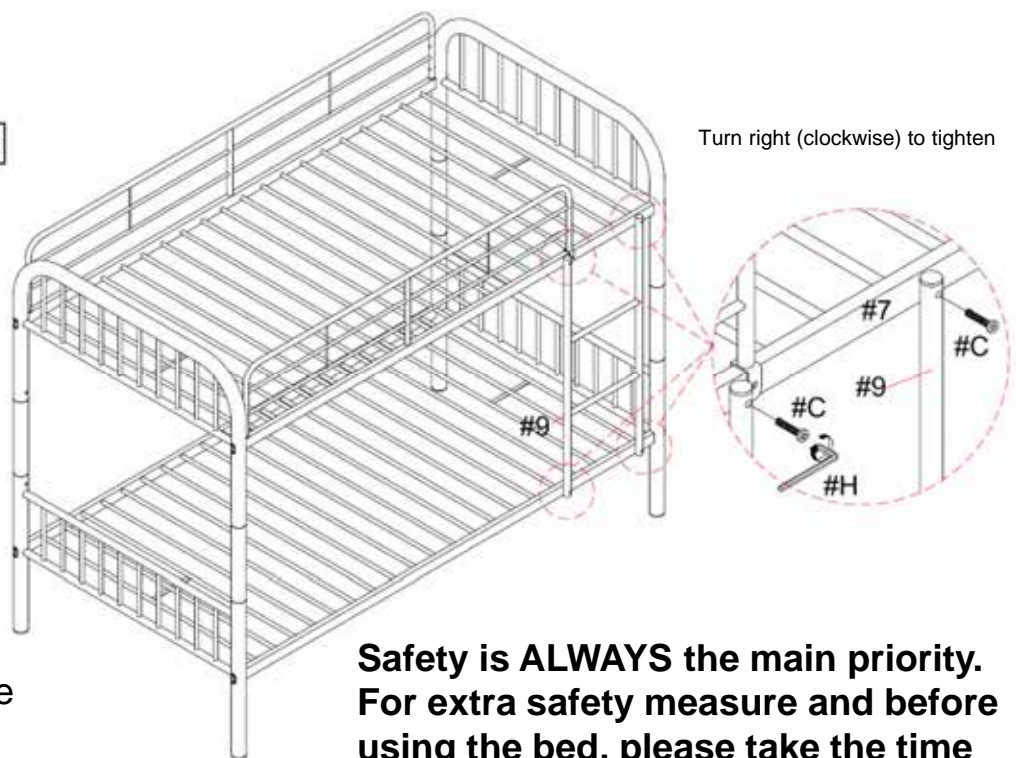
5-2

5-3



#6

#C X 4pcs



Turn right (clockwise) to tighten

Read and follow the information on the WARNINGS shown on the end structure of the upper bunk and on the carton. Do not remove warning label from the bed. Keep these instructions for future reference.

Safety is ALWAYS the main priority. For extra safety measure and before using the bed, please take the time to inspect the assembly again and make sure that ALL bolts and screws are FULLY tightened.

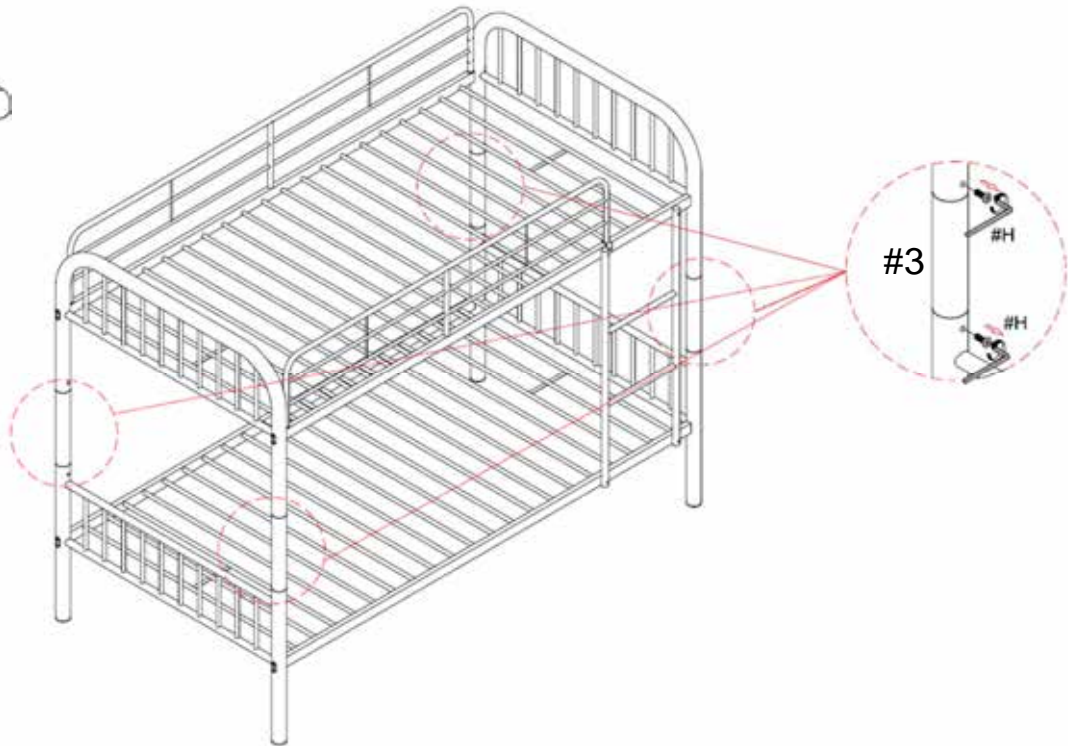
ASSEMBLY IS COMPLETED



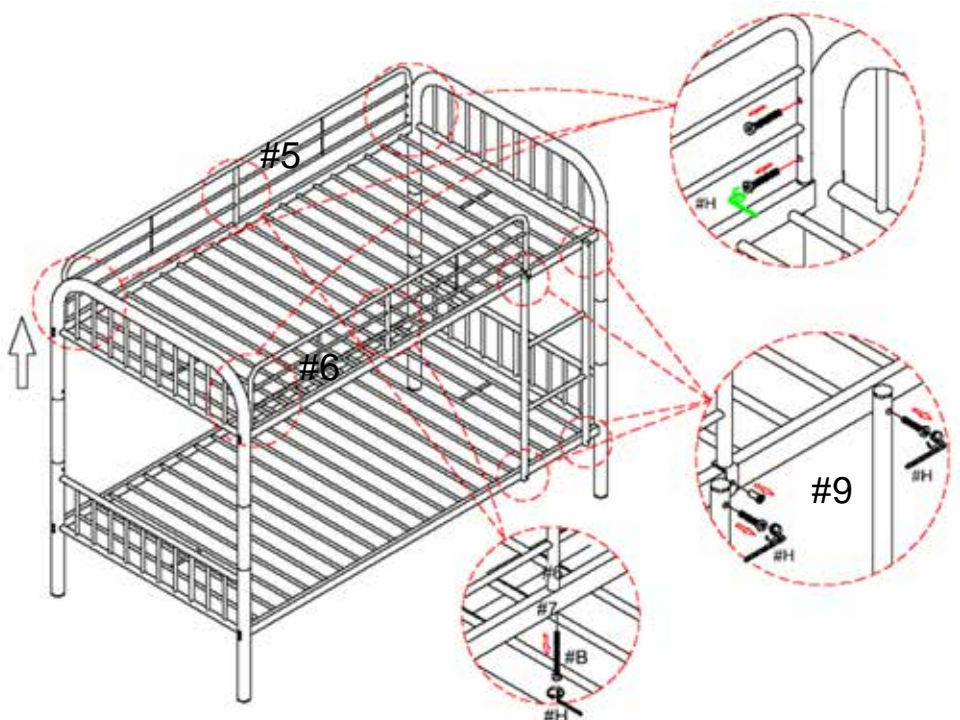
The bunk bed can be converted into two separate twin-size beds. Please follow this section in converting from a bunk bed into two separate beds.



Remove the hardware holding the extension poles (#3).

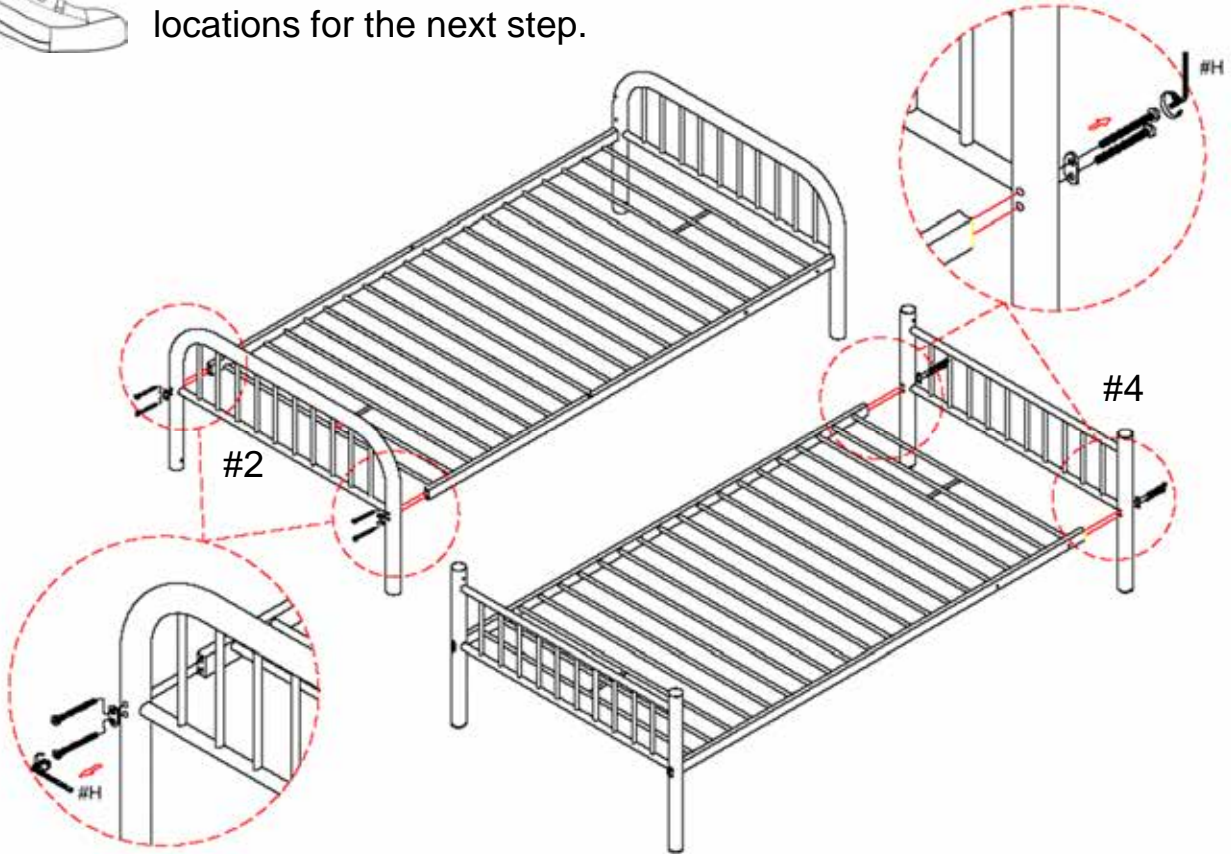


Remove the hardware holding the ladder (#9), the rear guardrail (#5) and the front guardrail (#6) and then remove those parts. With the help of another person, carefully lift the upper bunk out from the extension poles (#3) and set it down on the floor. Remove the extension poles (#3) from the lower bunk.



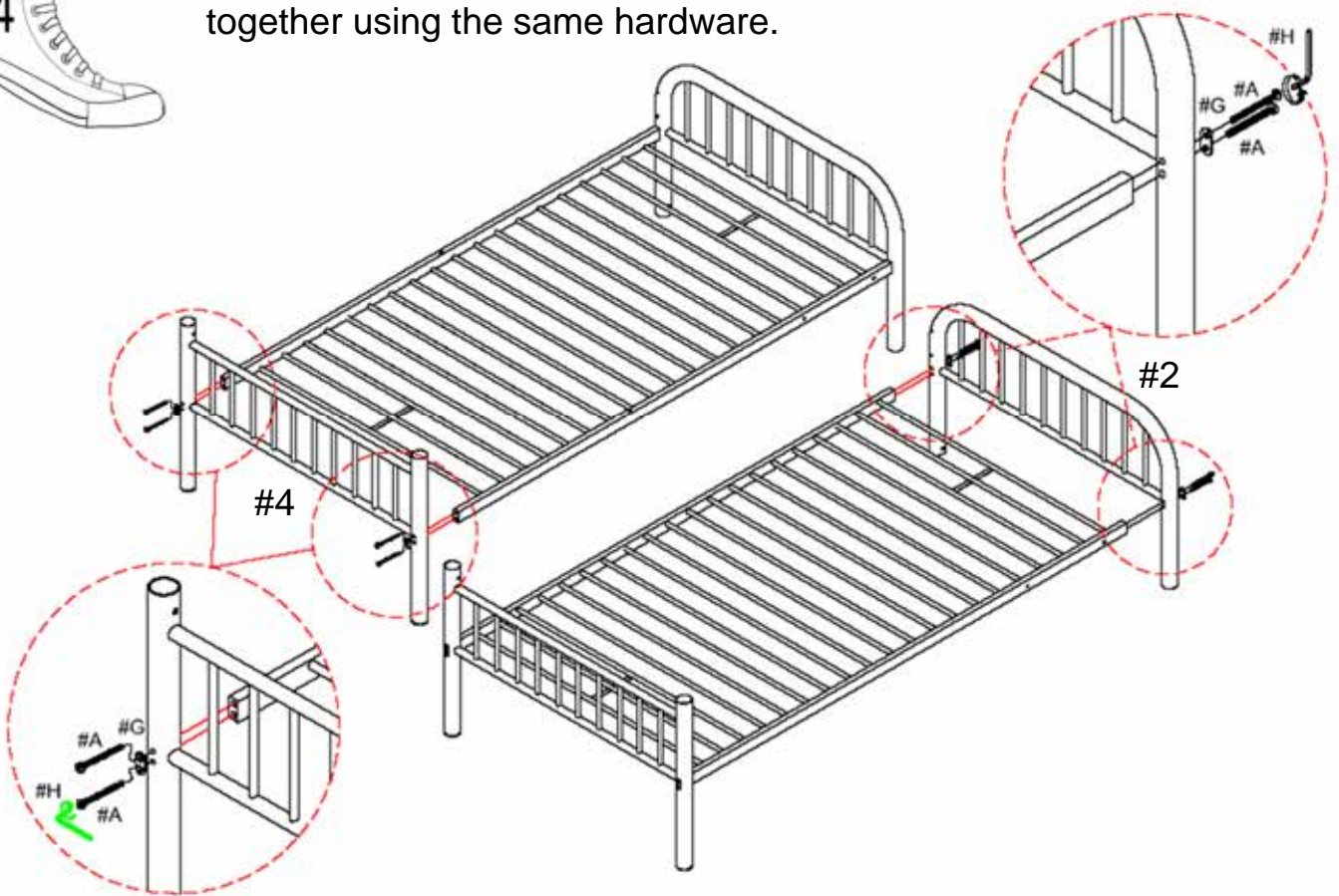


Remove the hardware holding the right upper end rail (#2) and the hardware holding the lower end rail (#4). Remove the parts in order to swap locations for the next step.



After the parts are swapped, secure the parts together using the same hardware.

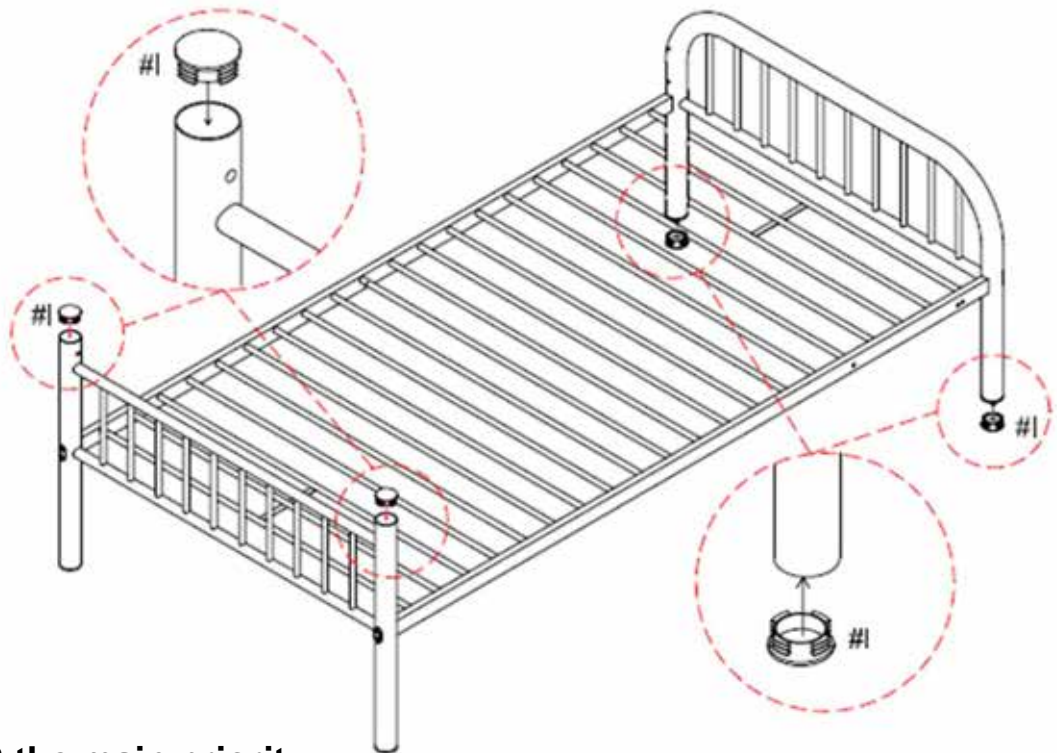
Turn right (clockwise) to tighten



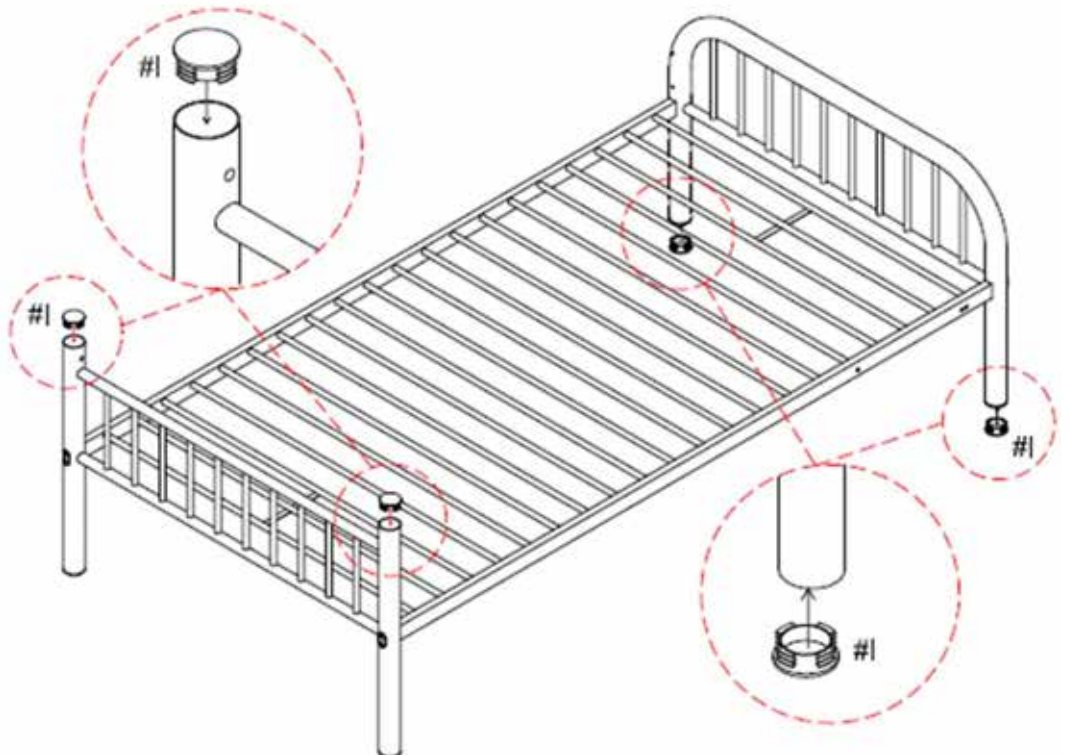


Insert the 8 covers (#1) as shown below.

#1 X 8pcs



Safety is ALWAYS the main priority.
For extra safety measure and before using the bed, please take the time to inspect the assembly again and make sure that ALL bolts and screws are FULLY tightened.



ASSEMBLY IS COMPLETED

Safety Warnings for Bunk Beds

1. Read and follow the information on the WARNINGS shown on the end structure of the upper bunk and on the carton. Do not remove warning label from the bed. Keep these instructions for future reference.
2. Always use the recommended size mattress or mattress support, or both, to help prevent the likelihood of entrapment or falls. The proper mattress sizes for the **UPPER TWIN-SIZE bunk** should be 74" to 75" long x 37½" to 38½" wide x 6" high (no higher than 6") and for the **LOWER TWIN-SIZE bunk** should be 74" to 75" long x 37½" to 38½" wide x 6" to 8" high.
3. Surface of mattress must be at least 5 inches (127 mm) **BELOW** the upper edge of guardrails.
4. Do not allow persons under 6 years of age to use the upper bunk.
5. Periodically check and ensure that the guardrails, ladder, handle and other components are in their proper position, free from damage, and that all connectors are tighten and secured.
6. For safety reasons, especially on the upper bunk bed, **DO NOT** allow rough playing or jumping on the bed and do not allow playing or hiding under the bed.
7. Always use the ladder for entering and leaving the upper bunk.
8. Do not use substitute parts. Contact the manufacturer or dealer for replacement parts.
9. Use of a nightlight may provide added safety precaution for a person using the upper bunk.
10. Always use the guardrails on both long sides of the upper bunk. If the bunk bed will be placed next to the wall, the guardrail that runs the full length of the bed should be placed against the wall to prevent entrapment between the bed and the wall.
11. The use of water or sleep flotation mattresses is prohibited.
12. No more than one person is allowed on the upper bunk at all times.
13. The **MAXIMUM** weight capacity for the upper bunk is not to exceed 150 lbs.



WARNING: STRANGULATION HAZARD

Never attach or hang objects to any part of the bunk bed that are not designed for use with the bed. Objects such as hanger, hook, belt, bag, rope, string, etc. should not be used on or around the bunk bed.