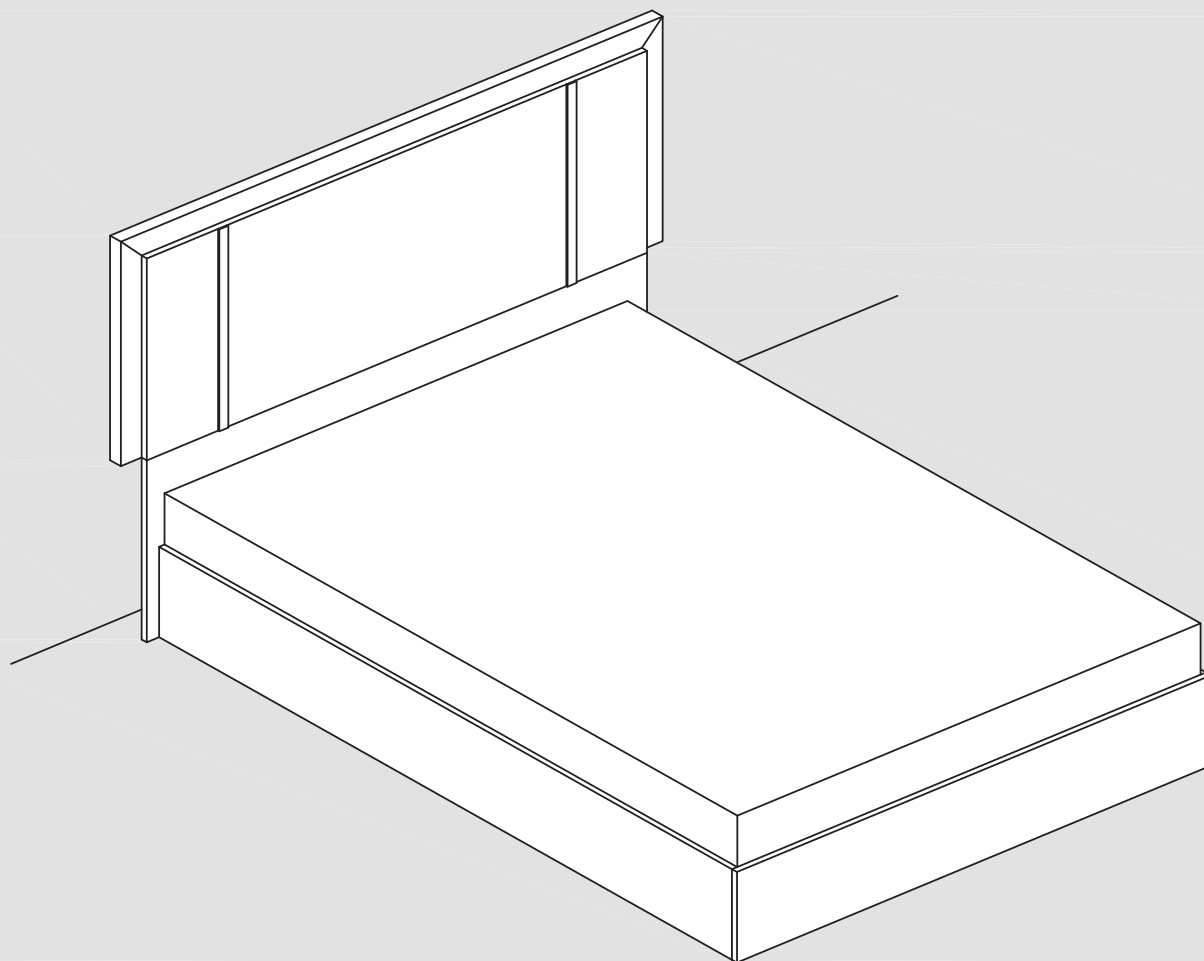




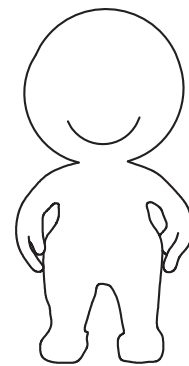
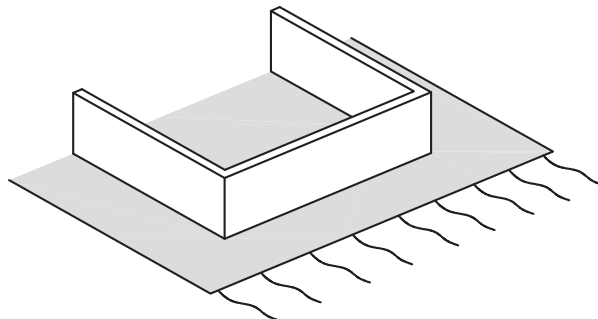
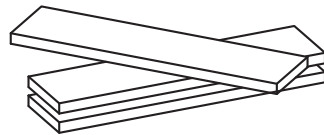
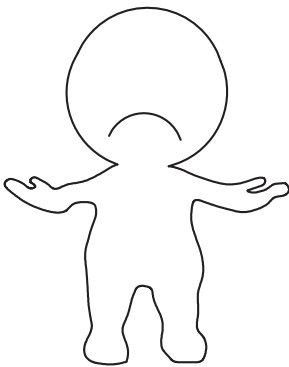
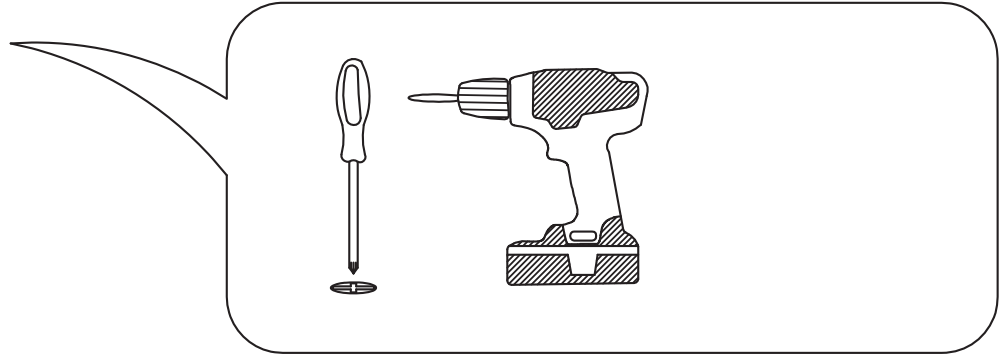
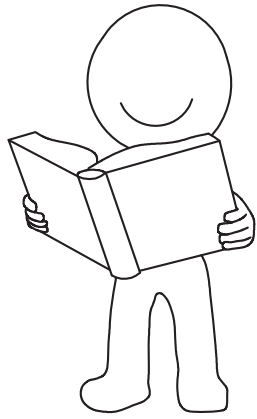
# ASSEMBLING INSTRUCTIONS



---

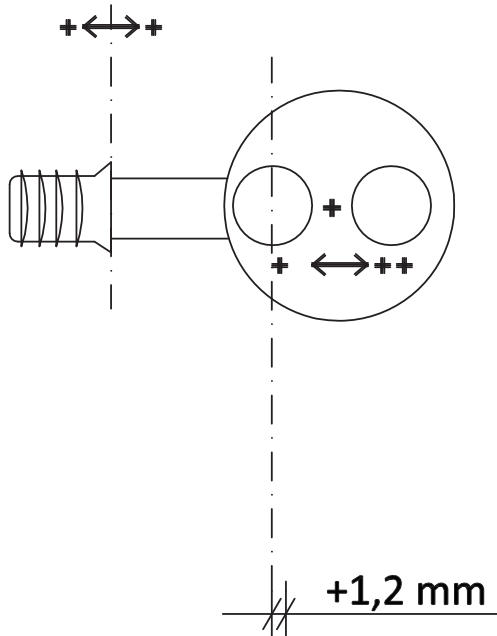
BED Q.S. - 180 - K.S.  
**MOD. TREVISO**

---



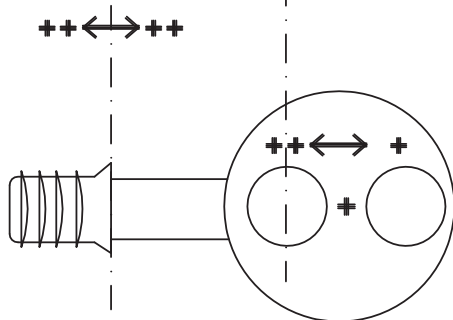
# JUNCTION "VIS"

## POSITION +

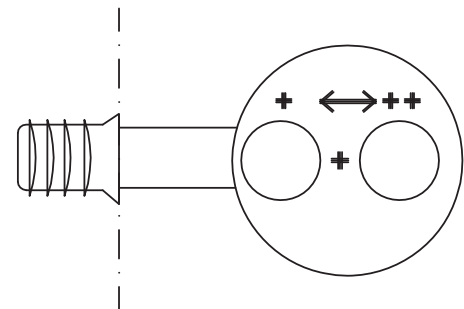
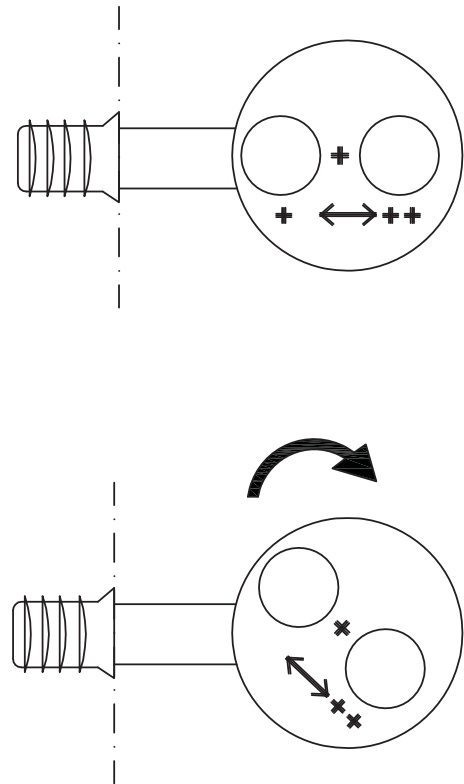


+1,2 mm

## POSITION +



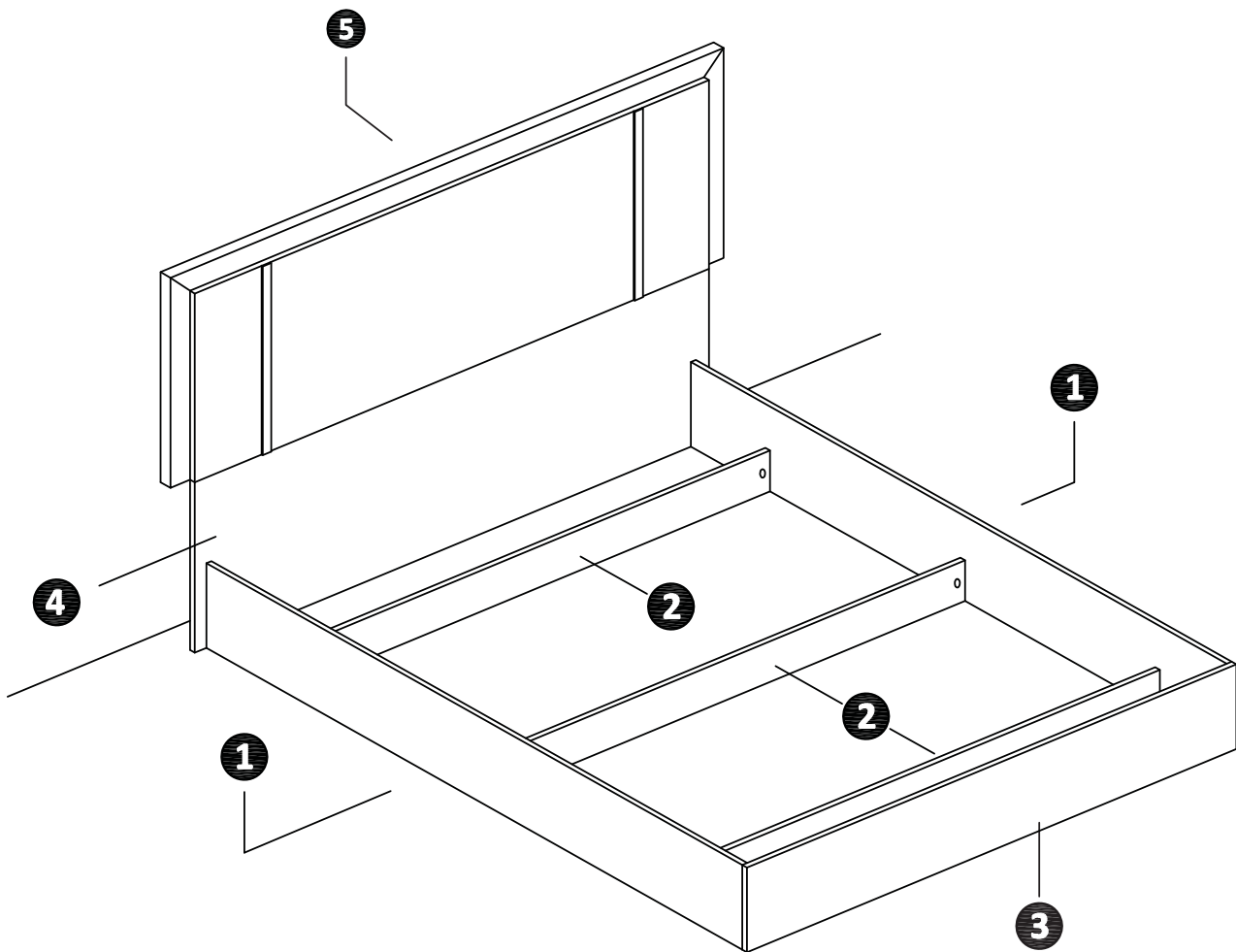
## 180° ROTATION TO CHANGE POSITION




**TO CHANGE THE LOCKING POSITION, REMOVE THE LOCKING SCREW AND ROTATE THE JUNCTION BY 180° WITH A SCREWDRIVER**


## LEGEND


- ① Side rails
- ② Crosspieces
- ③ Footboard
- ④ Under Headboard
- ⑤ Headboard

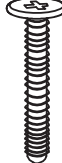


# GENERAL FITTINGS CHECK LIST


**A**  **Wooden Dowels**  
10x30  
*x16*

**F**  **Screws**  
6Mx15  
*x16*

**B**  **Wooden Dowels**  
8x30  
*x12*

**G**  **Screws**  
6MX25  
*x24*

**C**  **Pins**  
"VIS"  
*x8*

**H**  **Pins**  
*x6*

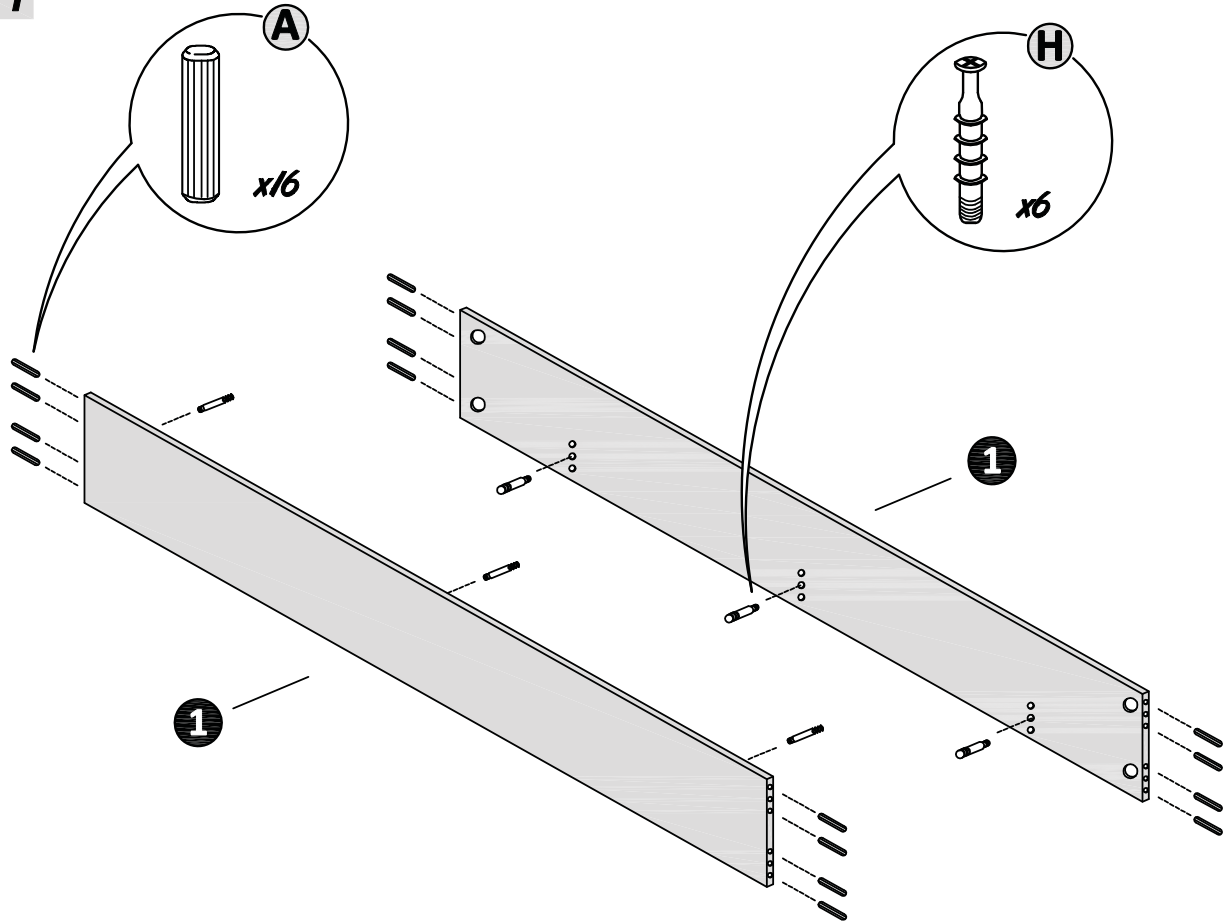
**D**  **Cams**  
"VIS"  
*x8*

**I**  **Cams**  
*x6*

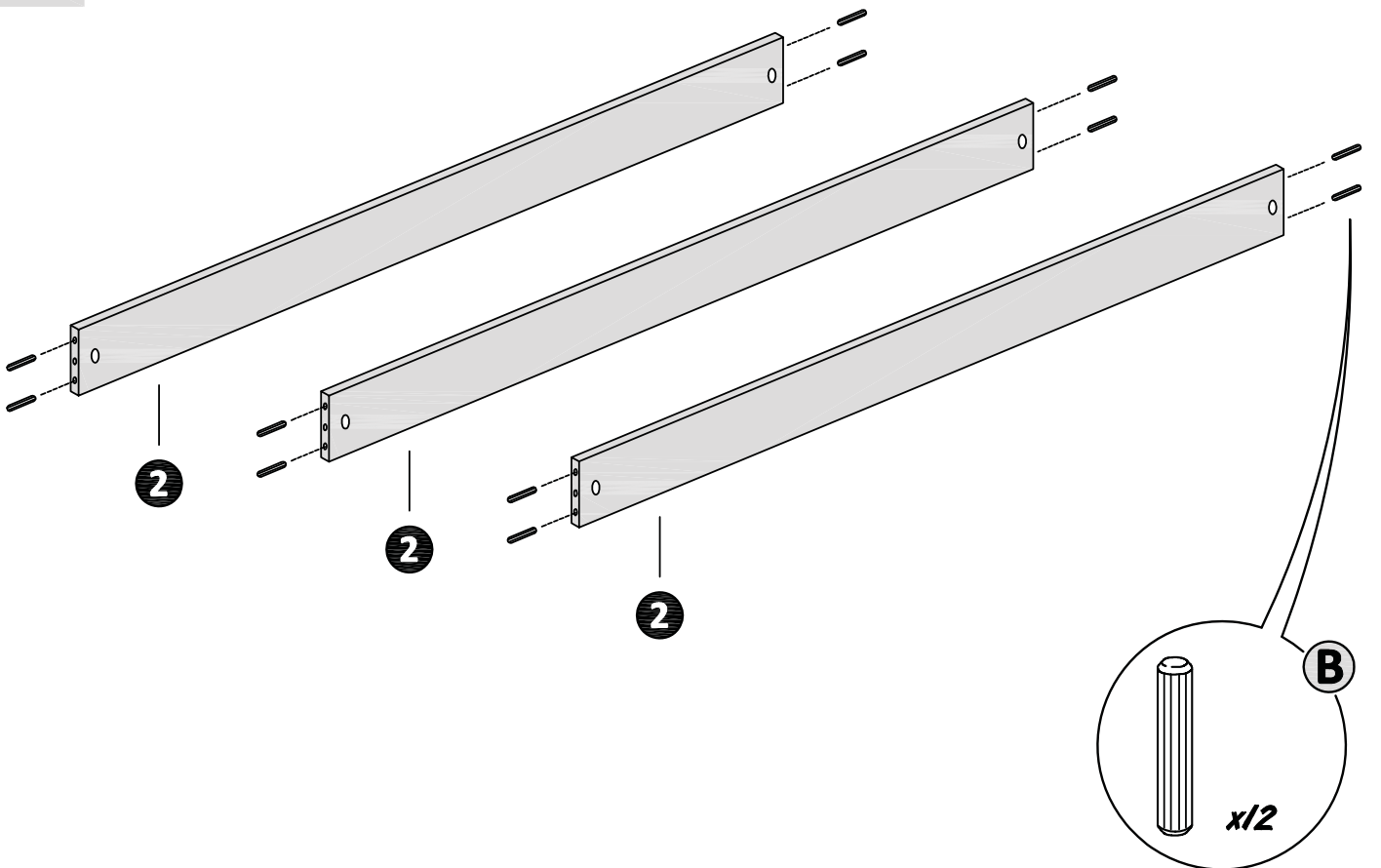
**E**  **Grub screws**  
"VIS"  
*x8*

**L**  **Screws**  
3,5x50  
*x6*

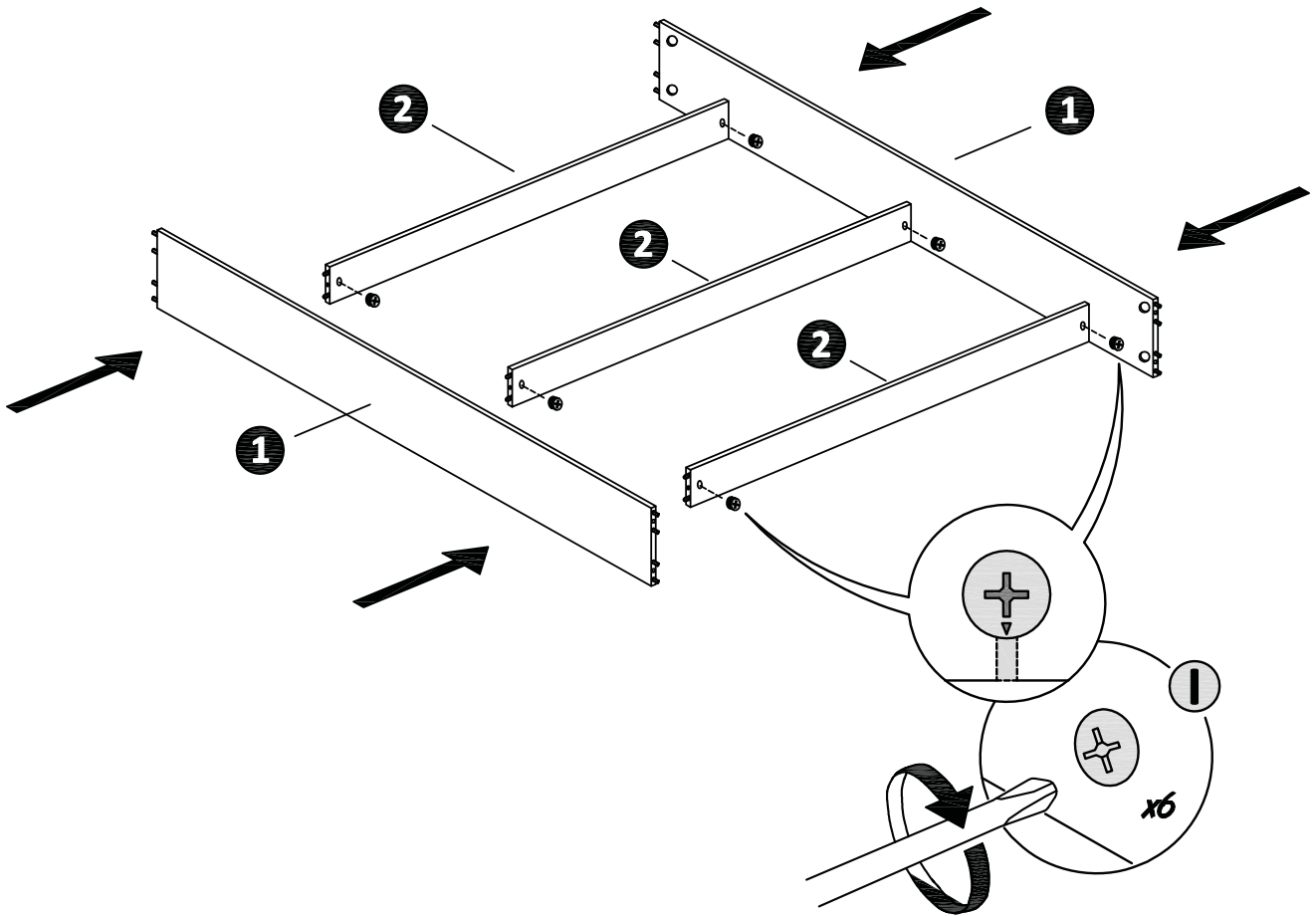
1



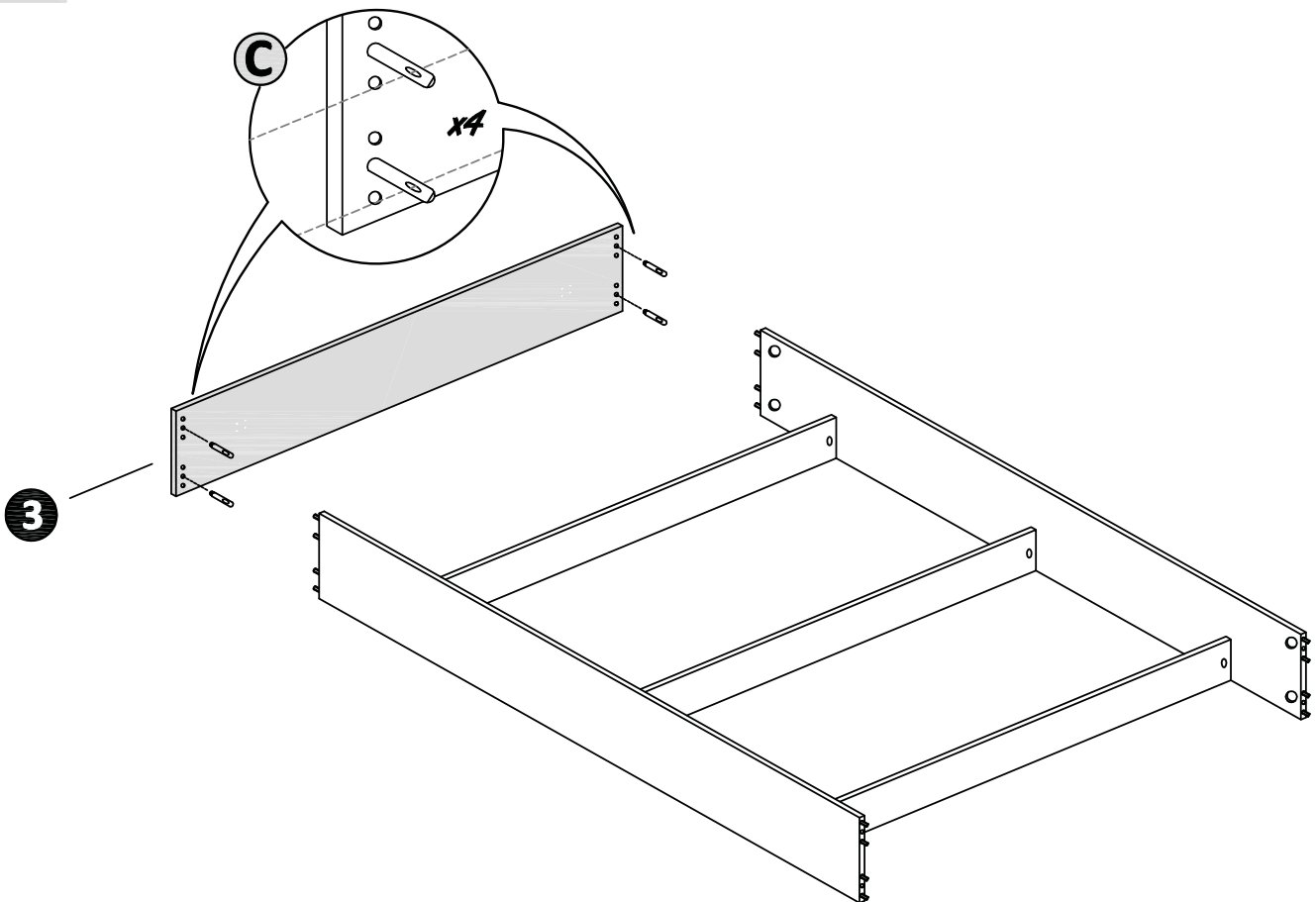
2



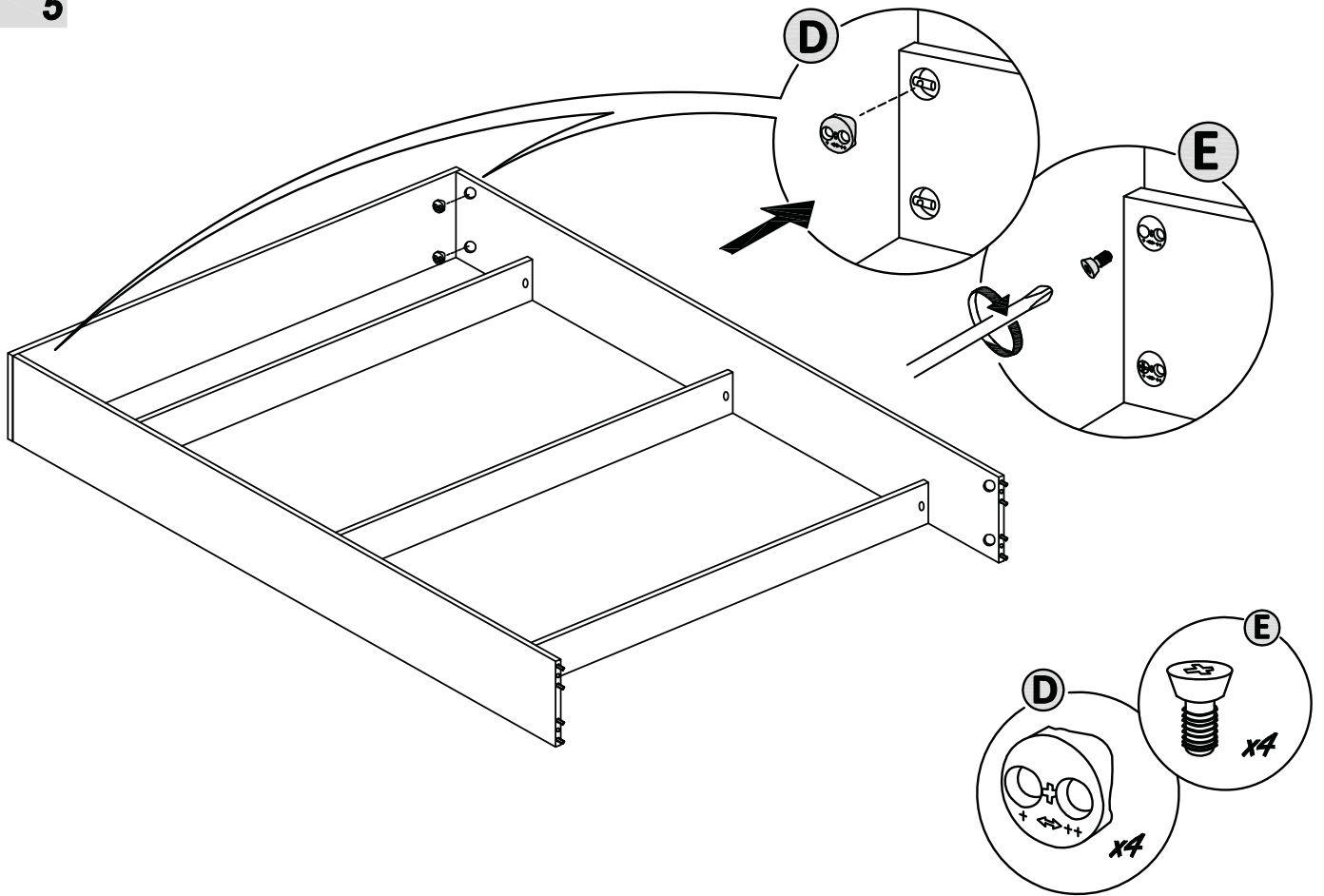
3



4



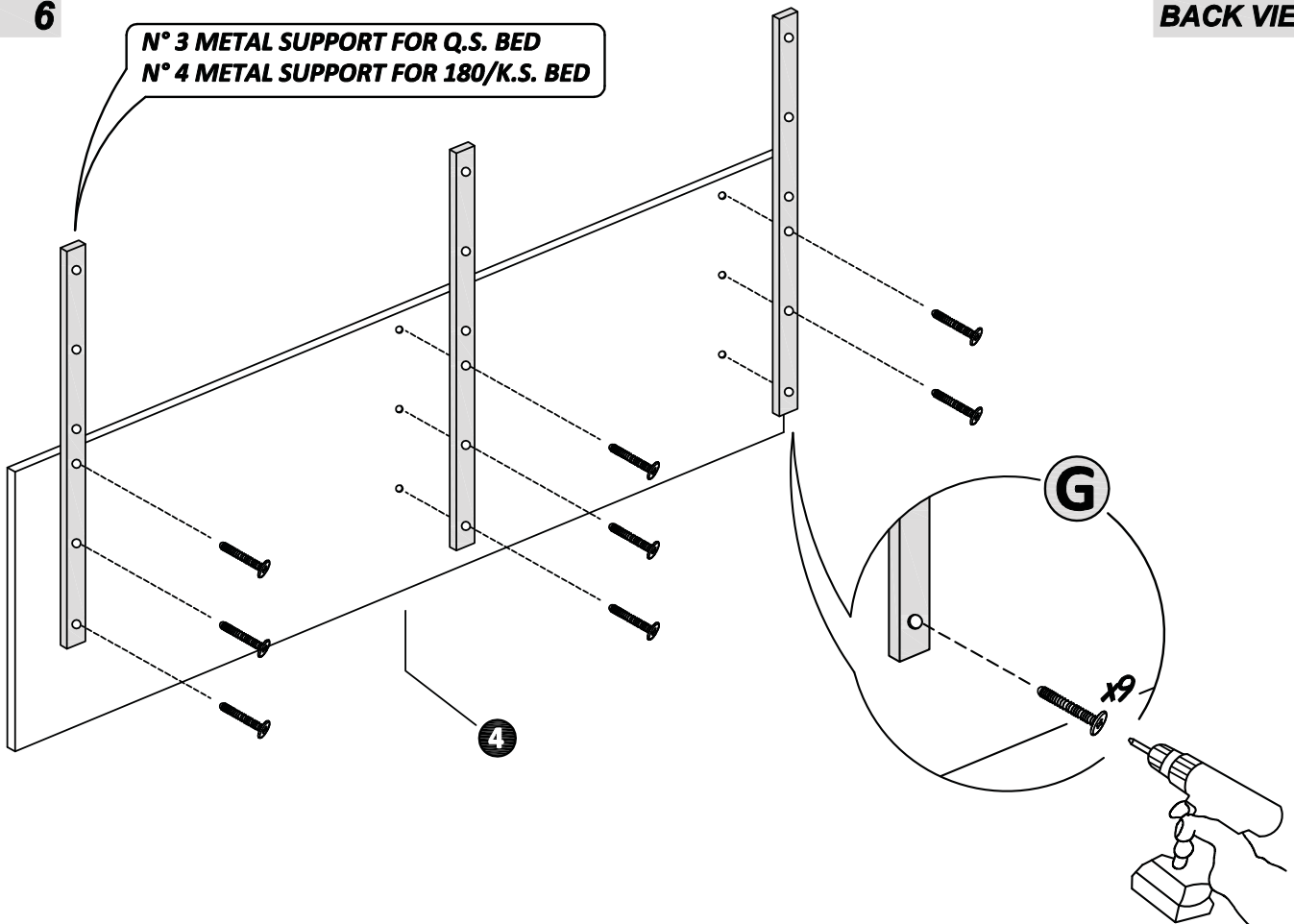
5



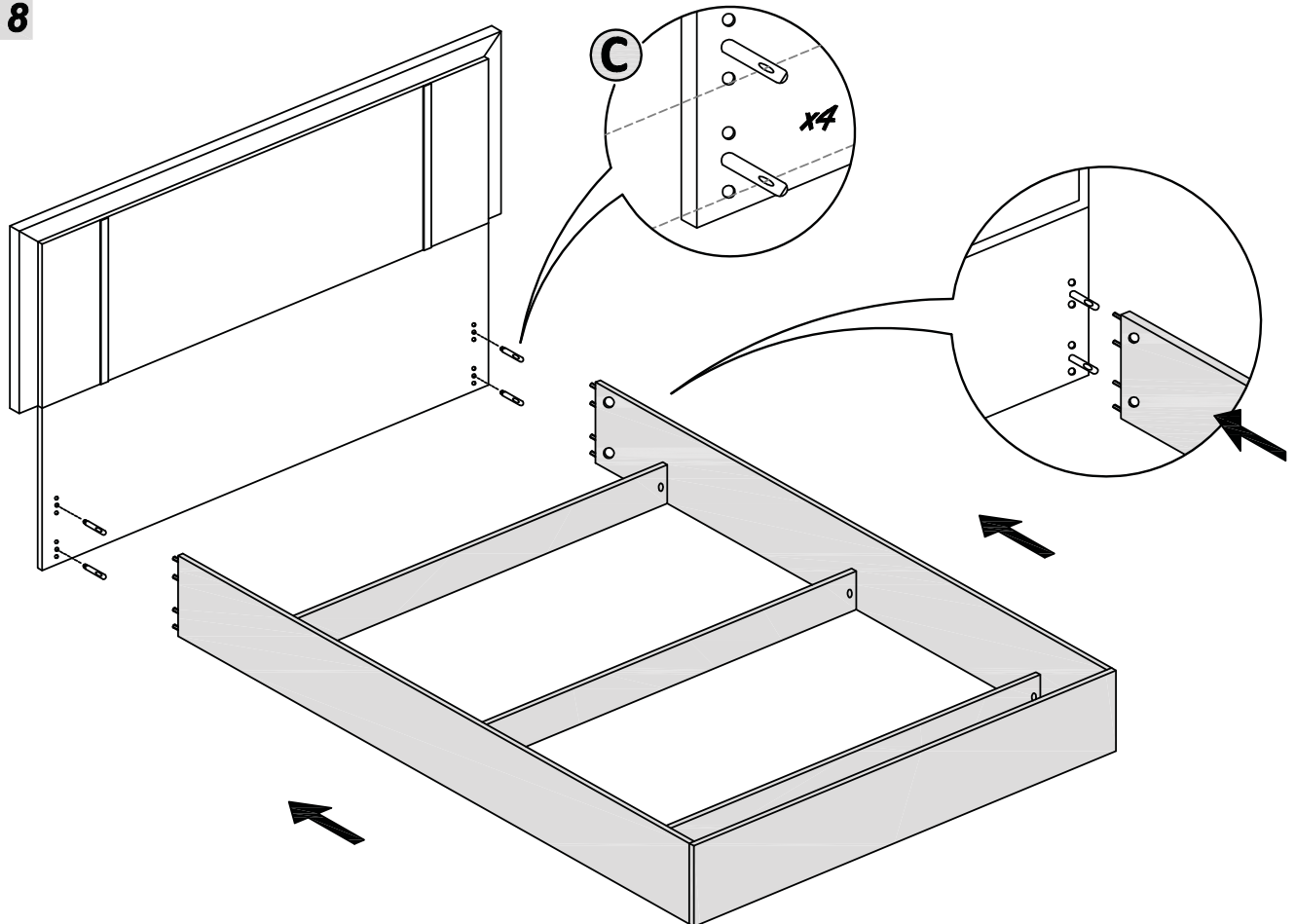
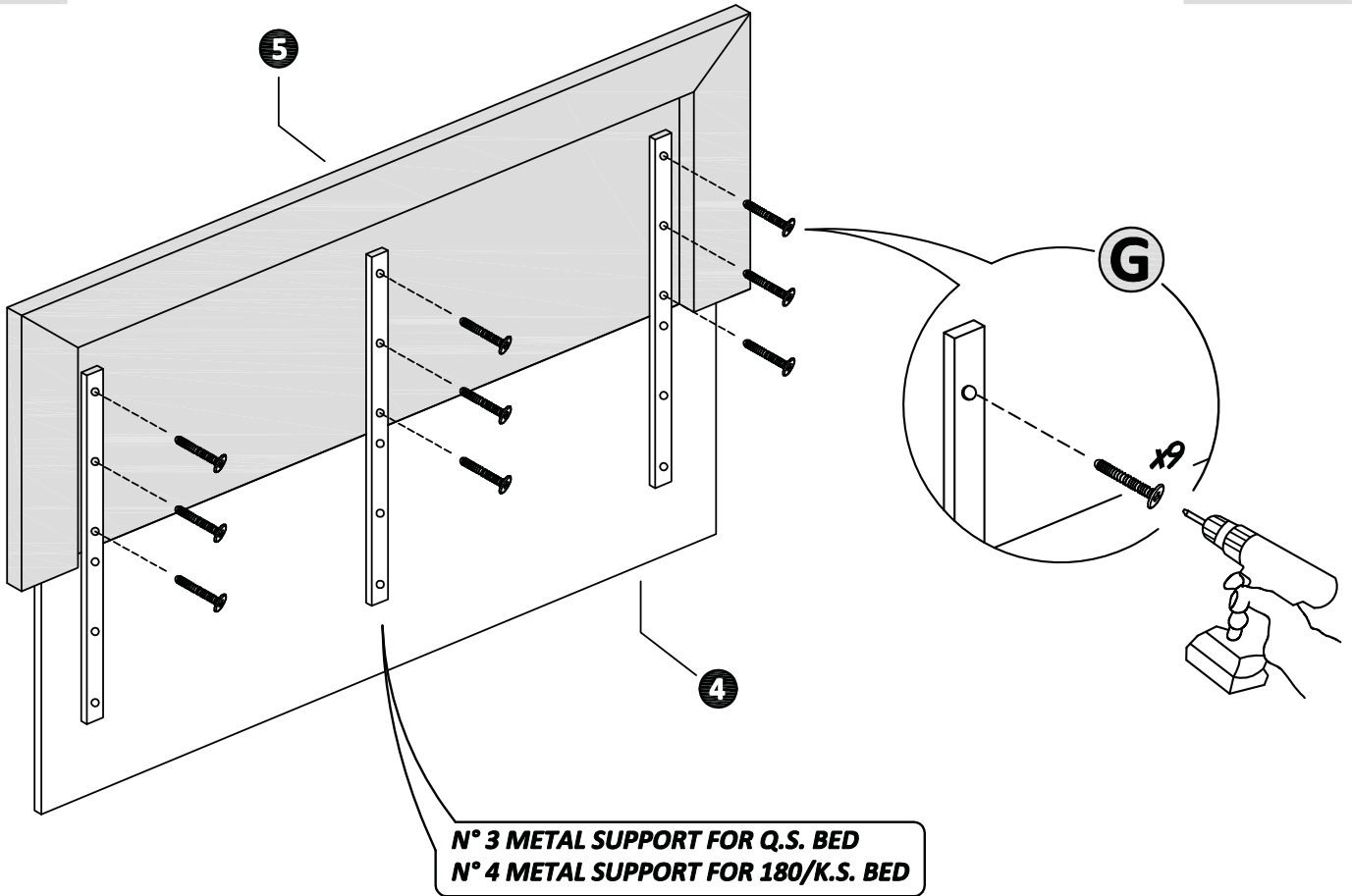
6

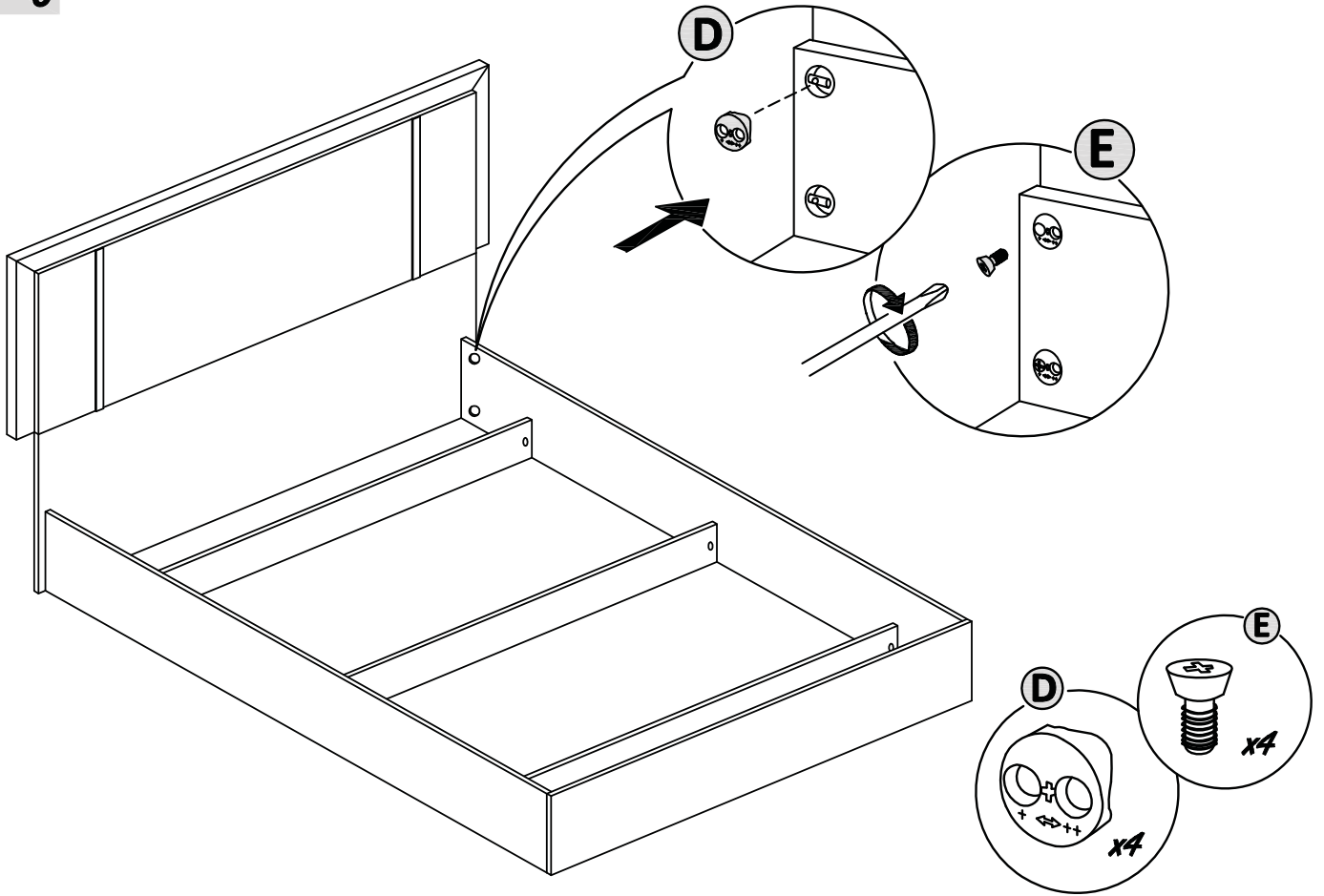
N° 3 METAL SUPPORT FOR Q.S. BED  
N° 4 METAL SUPPORT FOR 180/K.S. BED

BACK VIEW

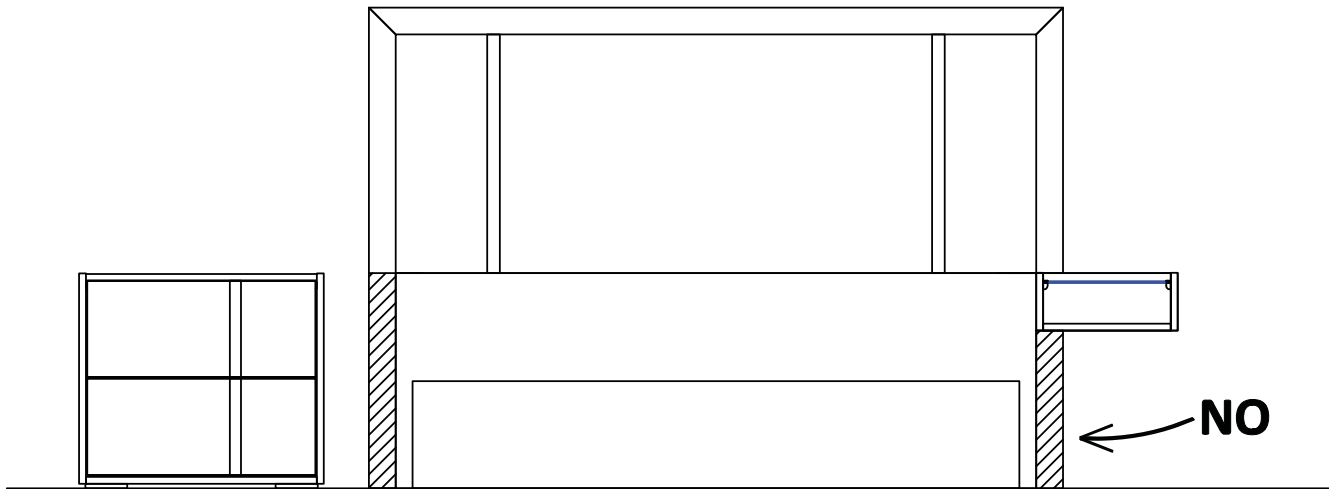






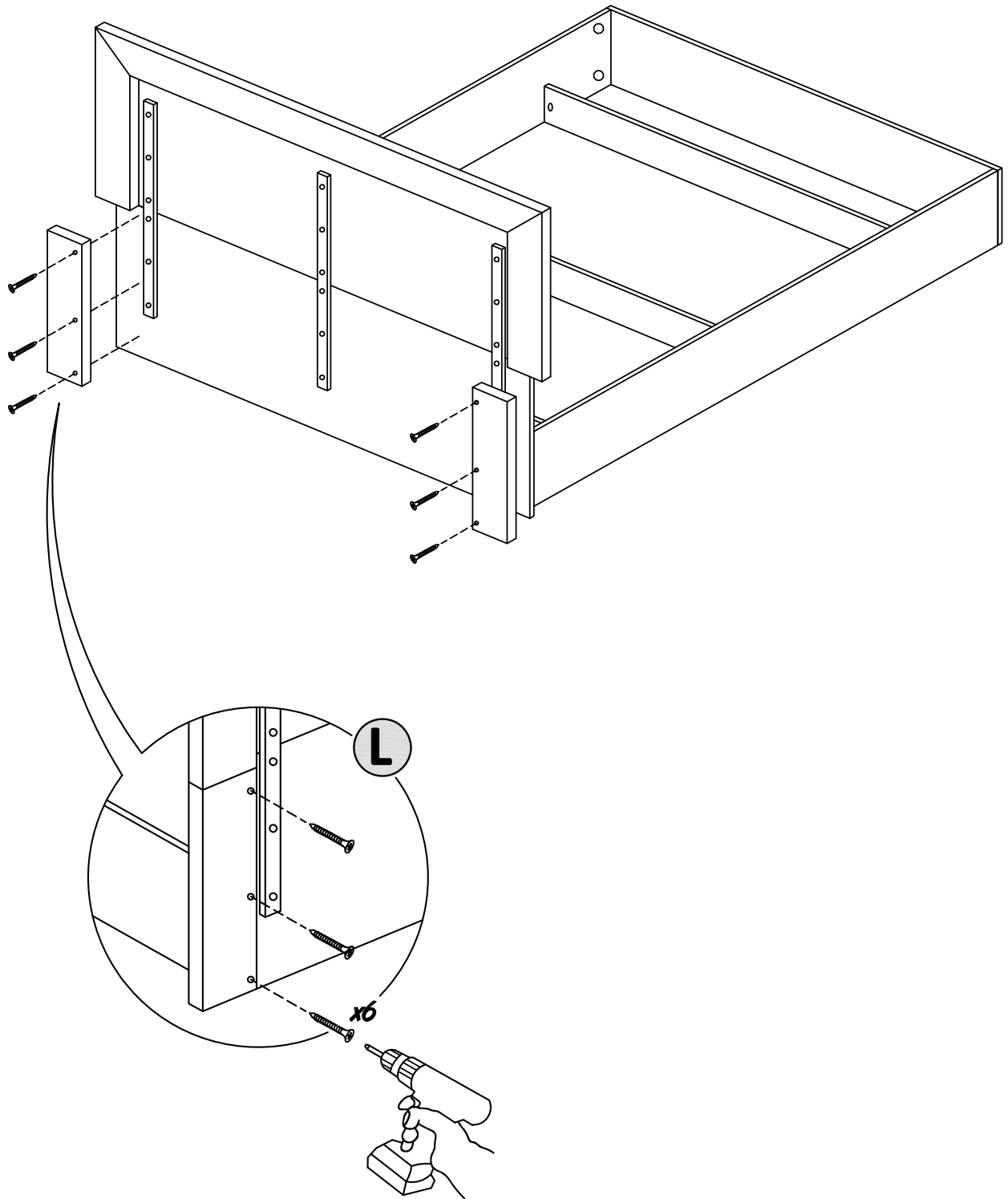


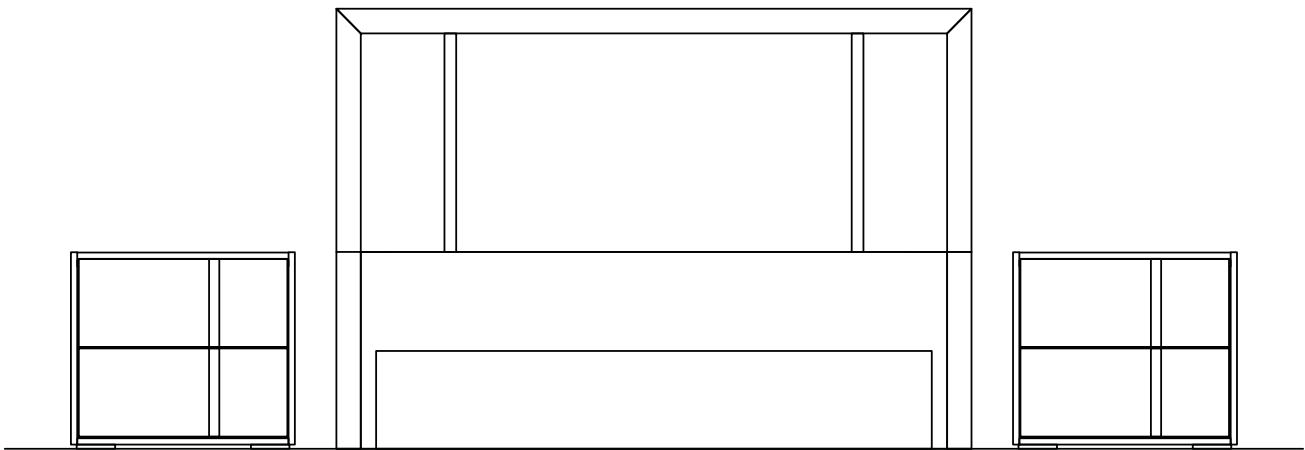
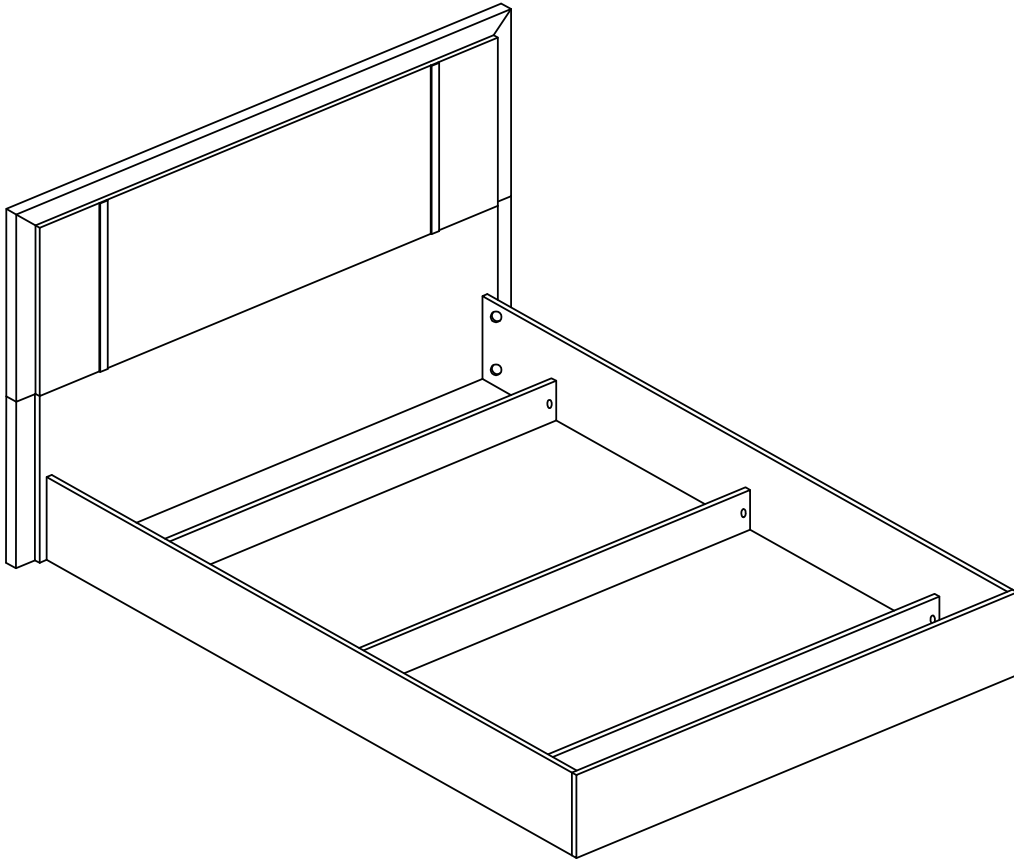
**ATTENTION**



**THE WOODEN TRIM HAS TO BE ASSEMBLED ONLY WITH STANDARD NIGHT TABLE**

# ASSEMBLING WOODEN TRIM









*100% Made in Italy*

Thank you for choosing our products.



**STATUS**

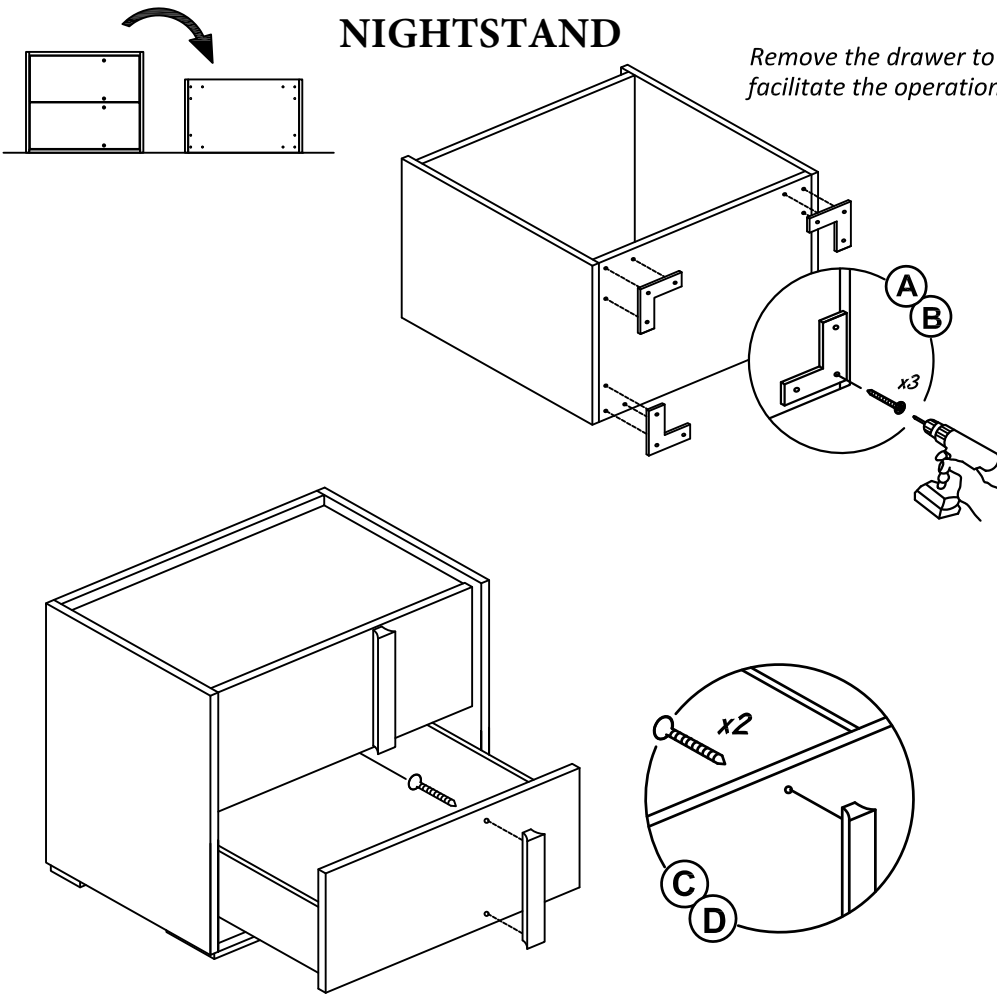
Via delle Industrie 6/A - 31018 GAIARINE (TV) - ITALY

 [info@statusitaly.it](mailto:info@statusitaly.it)  + 39 0434 75195

---





# NIGHTSTAND

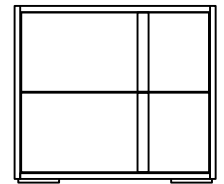
Remove the drawer to facilitate the operation



# TREVISO

## FITTINGS CHECK LIST

- (A)  Screws for feet  $\varnothing 3,5$  L25 (12)
- (B)  Feet (4)
- (C)  Handles (2)
- (D)  Screws for handles  $\varnothing 3,5$  L25 (4)



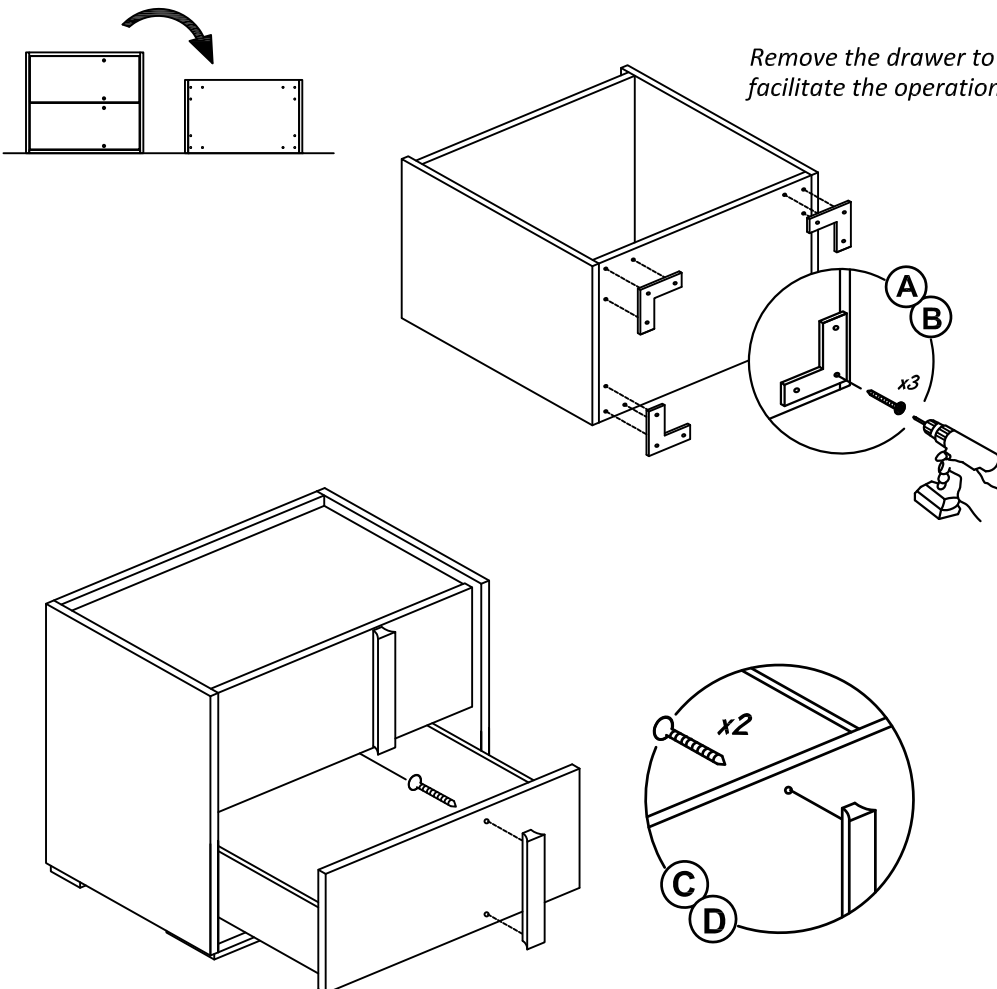
|       |                 |
|-------|-----------------|
| Model | TREVISO Bedroom |
| Code  | ERTRBWHCD01     |
| Item  | Night Table     |

**STATUS**  
Italian status symbol

100% made in Italy


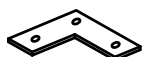


# NIGHTSTAND

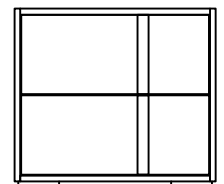
Remove the drawer to facilitate the operation



# TREVISO

## FITTINGS CHECK LIST

- (A)  Screws for feet  $\varnothing 3,5$  L25 (12)
- (B)  Feet (4)
- (C)  Handles (2)
- (D)  Screws for handles  $\varnothing 3,5$  L25 (4)



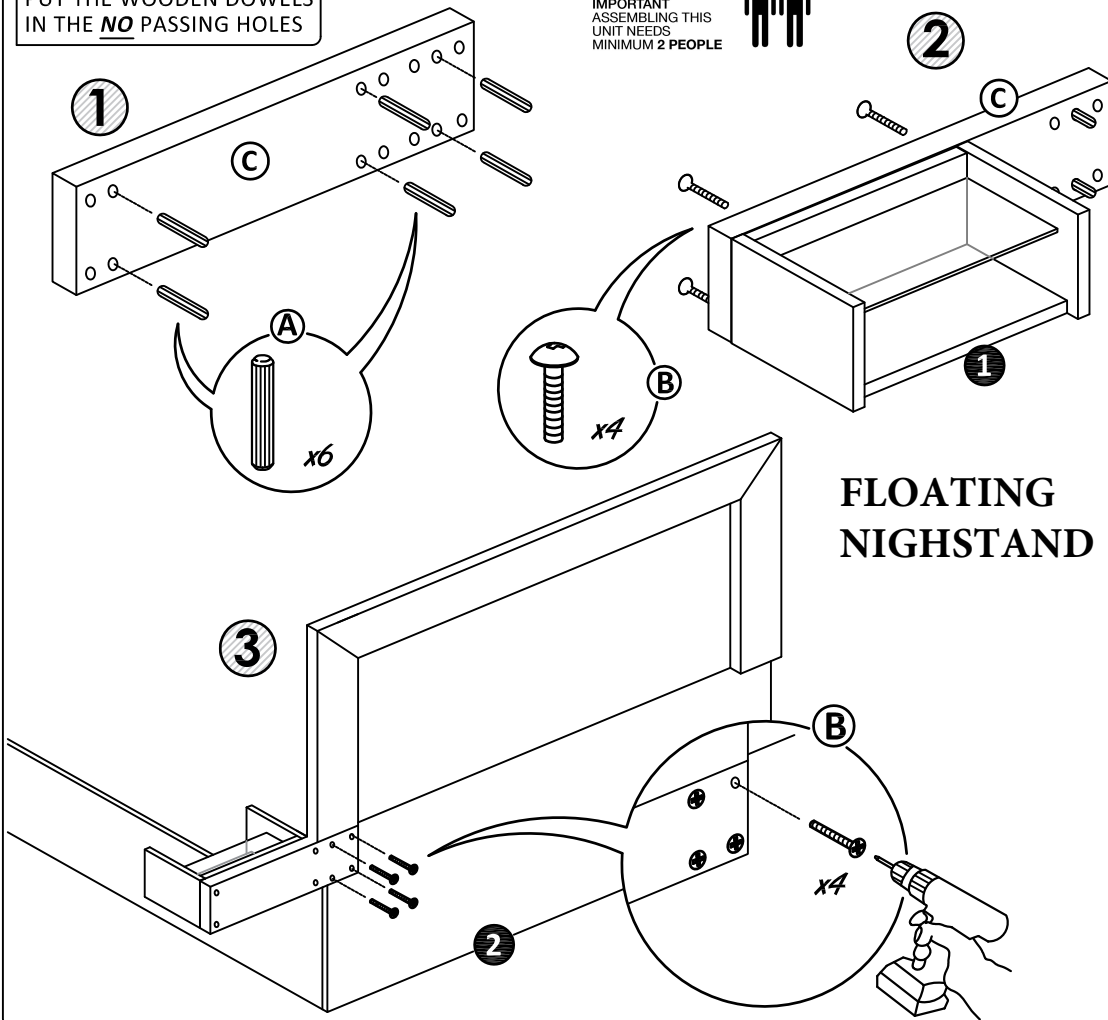
|       |                 |
|-------|-----------------|
| Model | TREVISO Bedroom |
| Code  | ERTRBWHCD01     |
| Item  | Night Table     |

**STATUS**  
Italian status symbol

100% made in Italy

PUT THE WOODEN DOWELS  
IN THE **NO** PASSING HOLES

IMPORTANT  
ASSEMBLING THIS  
UNIT NEEDS  
MINIMUM 2 PEOPLE





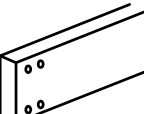
## FLOATING NIGHTSTAND

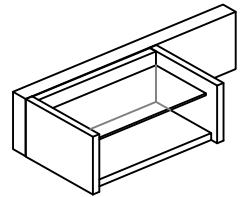
# TREVISO

### LEGEND

- 1 Floating Night Table
- 2 Under Headboard

### FITTINGS CHECK LIST

- A  Wooden Dowels (6)
- B  Screws for feet 6M L45 (8)
- C  Support (1)



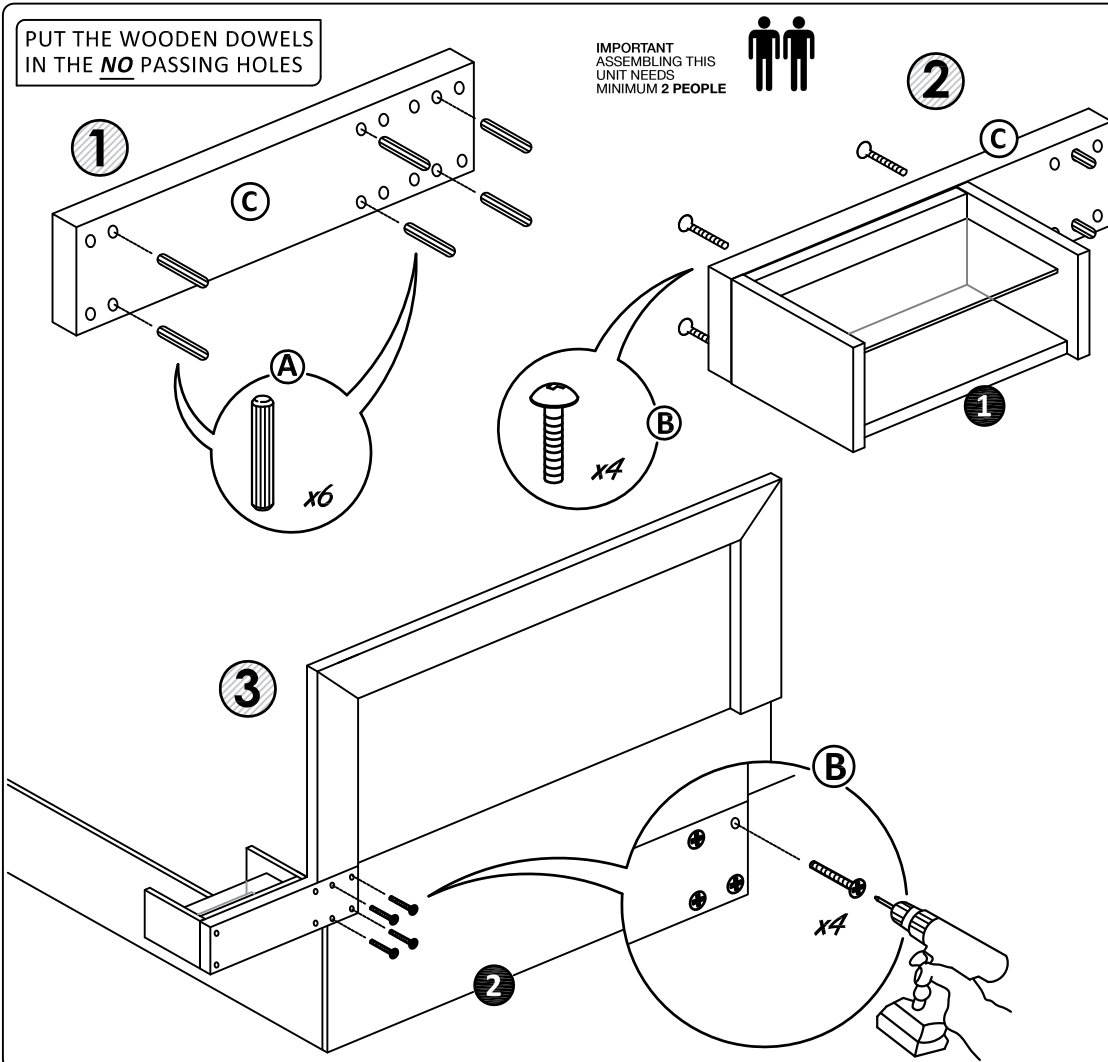
|       |                      |
|-------|----------------------|
| Model | TREVISO Bedroom      |
| Code  | ERTRBWHCD02          |
| Item  | Floating Night Table |

**STATUS**  
Italian status symbol

100% made in Italy

PUT THE WOODEN DOWELS  
IN THE **NO** PASSING HOLES

IMPORTANT  
ASSEMBLING THIS  
UNIT NEEDS  
MINIMUM 2 PEOPLE





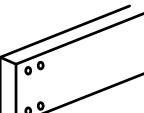
## FLOATING NIGHTSTAND

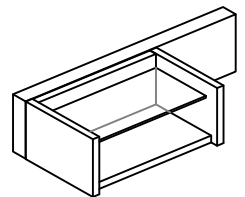
# TREVISO

### LEGEND

- 1 Floating Night Table
- 2 Under Headboard

### FITTINGS CHECK LIST

- A  Wooden Dowels (6)
- B  Screws for feet 6M L45 (8)
- C  Support (1)



|       |                      |
|-------|----------------------|
| Model | TREVISO Bedroom      |
| Code  | ERTRBWHCD02          |
| Item  | Floating Night Table |

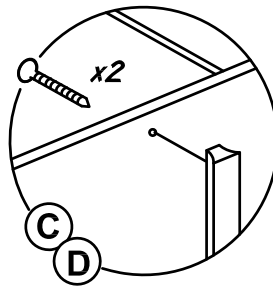
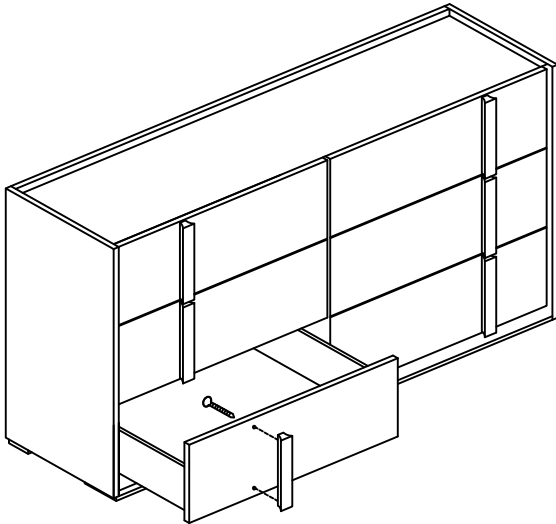
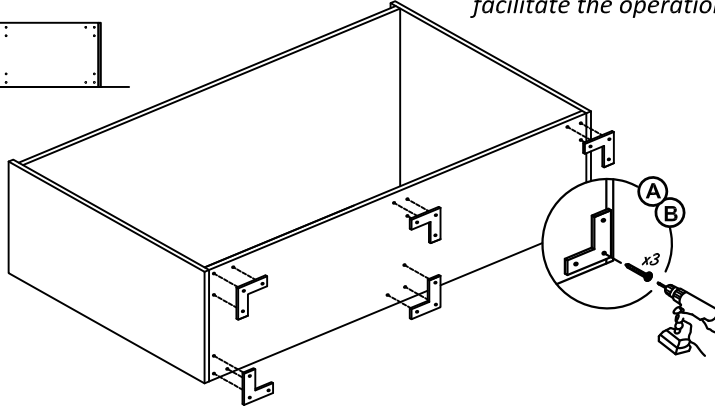
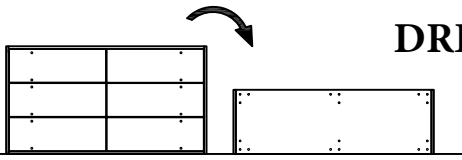
**STATUS**  
Italian status symbol

100% made in Italy







# DRESSER

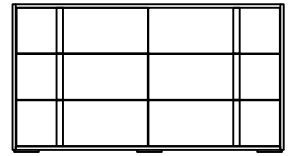
Remove the drawer to facilitate the operation



# TREVISO

## FITTINGS CHECK LIST

- (A)  Screws for feet  
ø3,5 L25 (18)
- (B)  Feet (6)
- (C)  Handles (6)
- (D)  Screws for handles  
ø3,5 L25 (12)



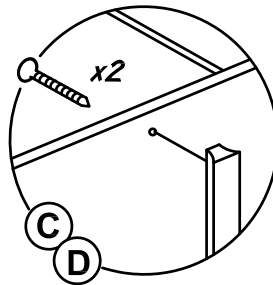
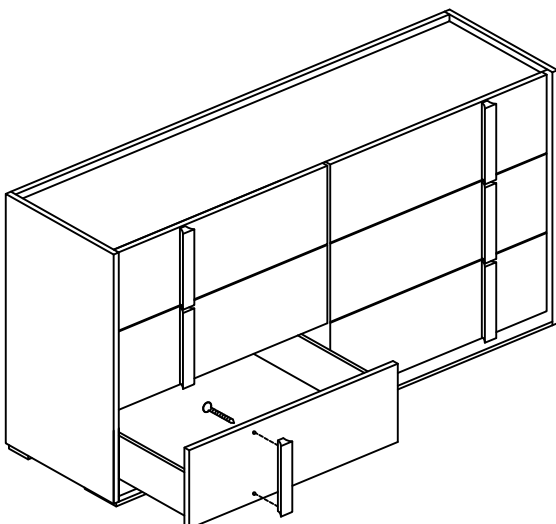
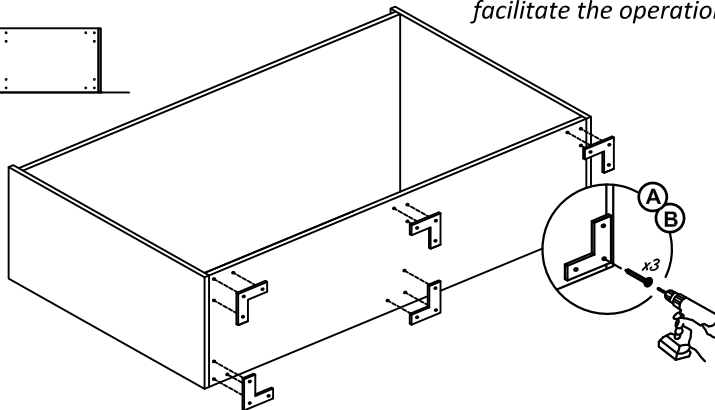
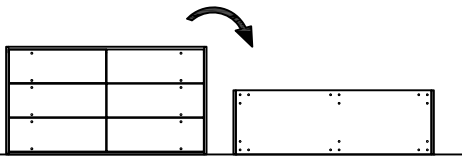
|       |                 |
|-------|-----------------|
| Model | TREVISO Bedroom |
| Code  | ERTRBWHCM01     |
| Item  | Night Table     |

**STATUS**  
Italian status symbol

100% made in Italy


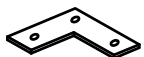


# DRESSER

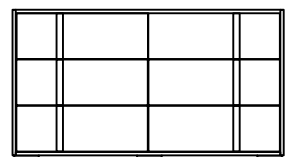
Remove the drawer to facilitate the operation



# TREVISO

## FITTINGS CHECK LIST

- (A)  Screws for feet  
ø3,5 L25 (18)
- (B)  Feet (6)
- (C)  Handles (6)
- (D)  Screws for handles  
ø3,5 L25 (12)

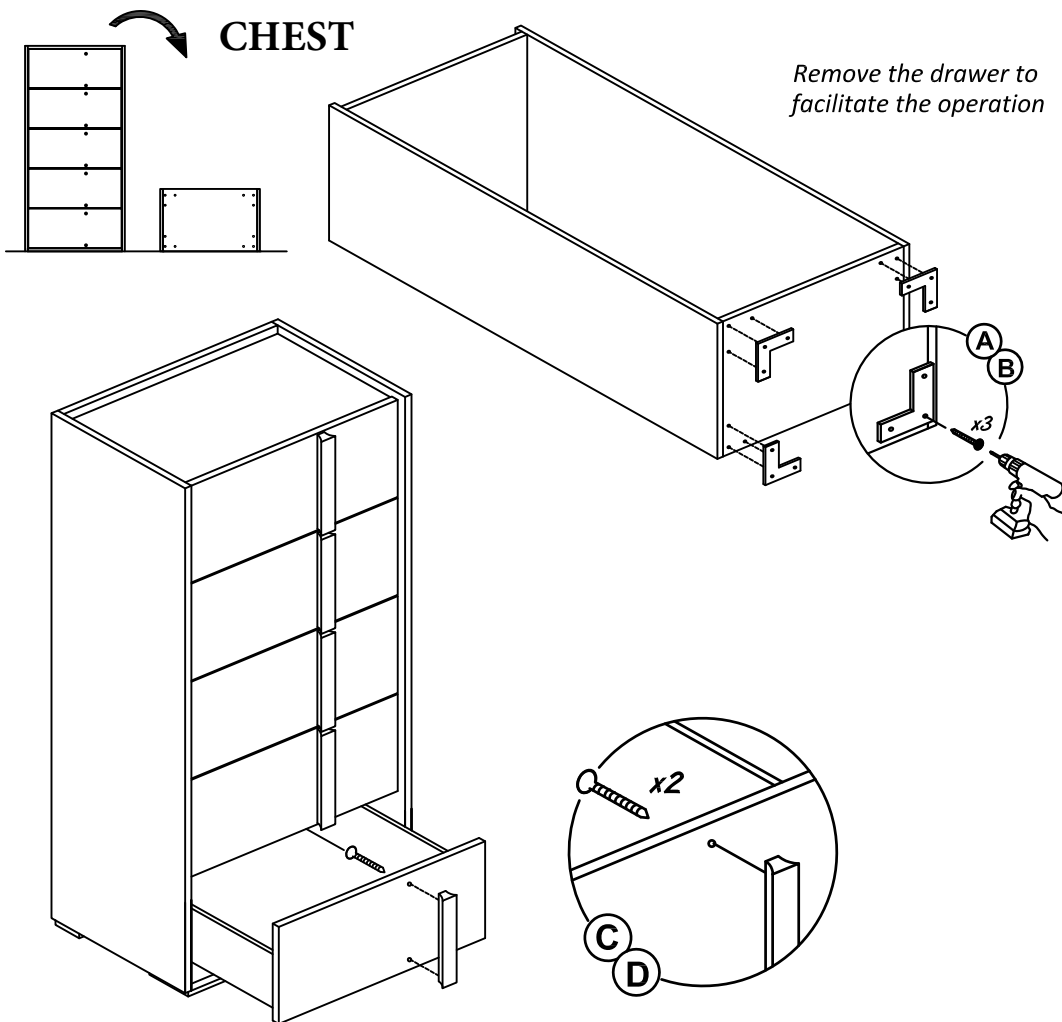


|       |                 |
|-------|-----------------|
| Model | TREVISO Bedroom |
| Code  | ERTRBWHCM01     |
| Item  | Night Table     |

**STATUS**  
Italian status symbol





100% made in Italy

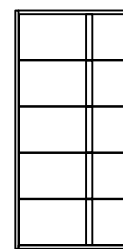
# CHEST



# TREVISO

## FITTINGS CHECK LIST

- (A)  Screws for feet  
ø3,5 L25 (12)
- (B)  Feet (4)
- (C)  Handles (5)
- (D)  Screws for handles  
ø3,5 L25 (10)



Model **TREVISO Bedroom**

Code **ERTRBWHCM02**

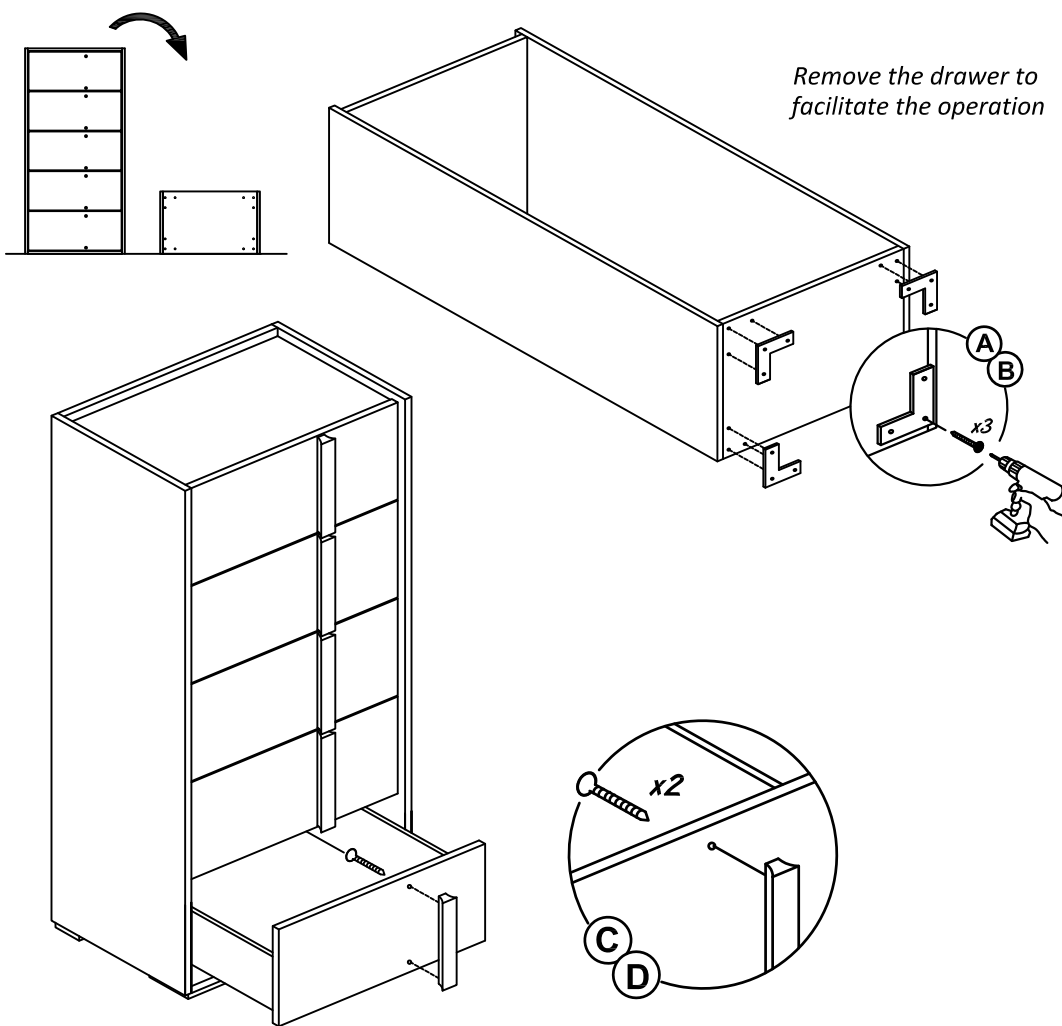
Item **Night Table**

# STATUS

Italian status symbol


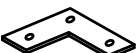


100% made in Italy

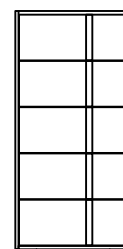
# CHEST



# TREVISO

## FITTINGS CHECK LIST

- (A)  Screws for feet  
ø3,5 L25 (12)
- (B)  Feet (4)
- (C)  Handles (5)
- (D)  Screws for handles  
ø3,5 L25 (10)



Model **TREVISO Bedroom**

Code **ERTRBWHCM02**

Item **Night Table**

# STATUS

Italian status symbol

100% made in Italy