








MEDEA

LEGEND

- ① Side Rails
- ② Crosspieces
- ③ Footboard
- ④ Under Headboard
- ⑤ Headboard

FITTINGS CHECK LIST

Ⓐ		Wooden Dowels	x 24
Ⓑ		Cams	x 8
Ⓒ		Pins	x 8
Ⓓ		Screws TBL 4MA	x 6
Ⓔ		Cams for TBL 4MA	x 6
Ⓕ		Screws TBL 6MA	x 18
Ⓖ		Screws TSP 4x50	x 4

Model **MEDEA** Bedroom

Code **MEBVOLT01 / 02 / 03 / 04**

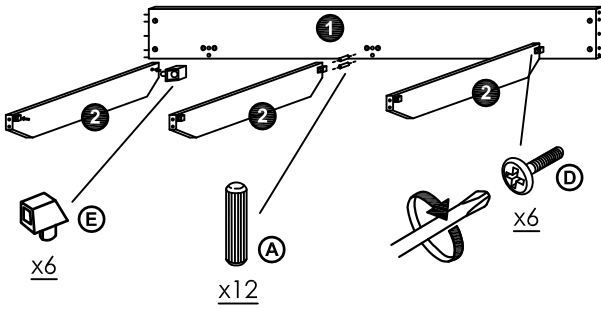
Item Bed

STATUS

Italian status symbol

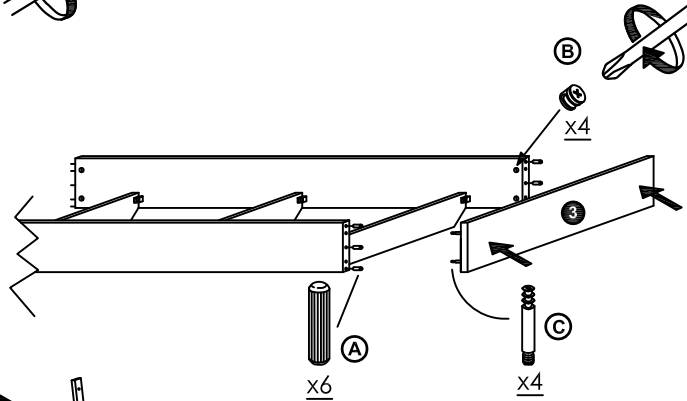
100% made in Italy

IMPORTANT
ASSEMBLING THIS
UNIT NEEDS
MINIMUM 2 PEOPLE

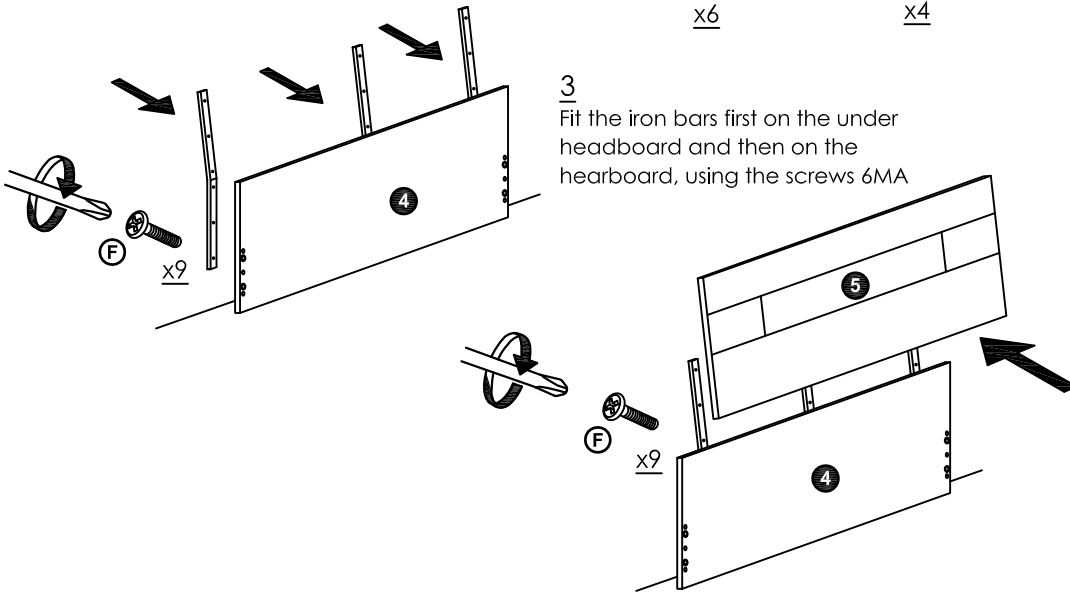


1
Fit the slat supports
to the side rails

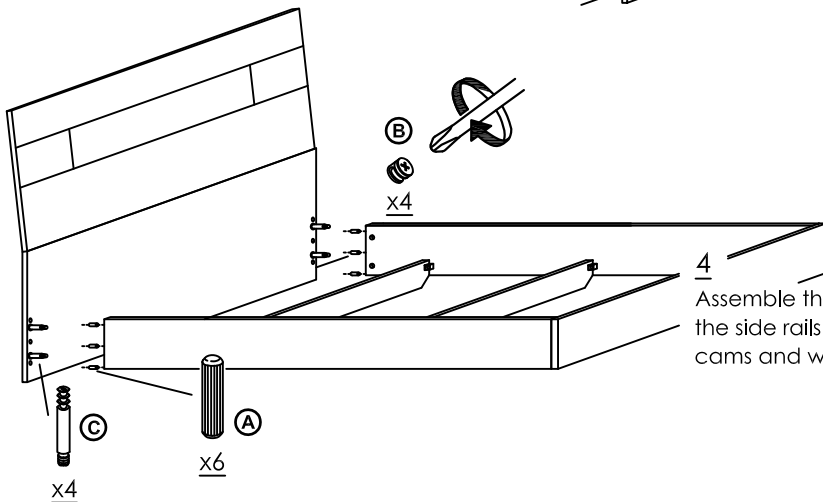
2
Assemble the footboard,
using the pins, cams and
wooden dowels



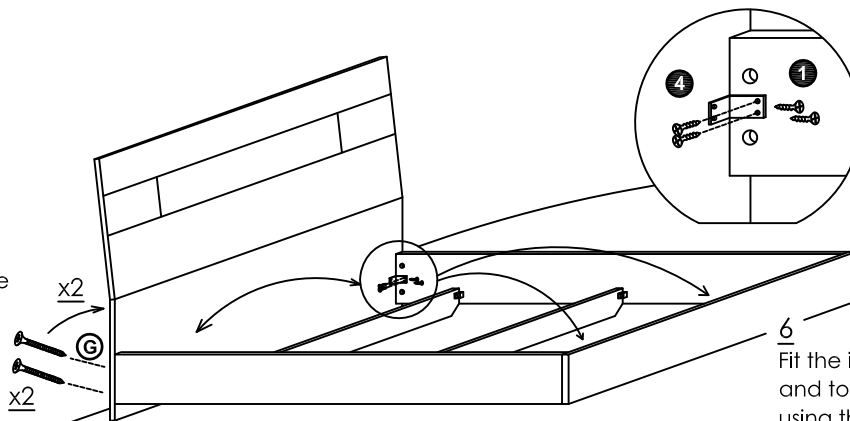
3
Fit the iron bars first on the under
headboard and then on the
headboard, using the screws 6MA



4
Assemble the headboard to
the side rails. Using the pins,
cams and wooden dowels



5
Fix the underheadboard on the
siderails using screws TSP 4x50



6
Fit the iron corner on the side rails
and to the under headboard,
using the screws TSP 4x16