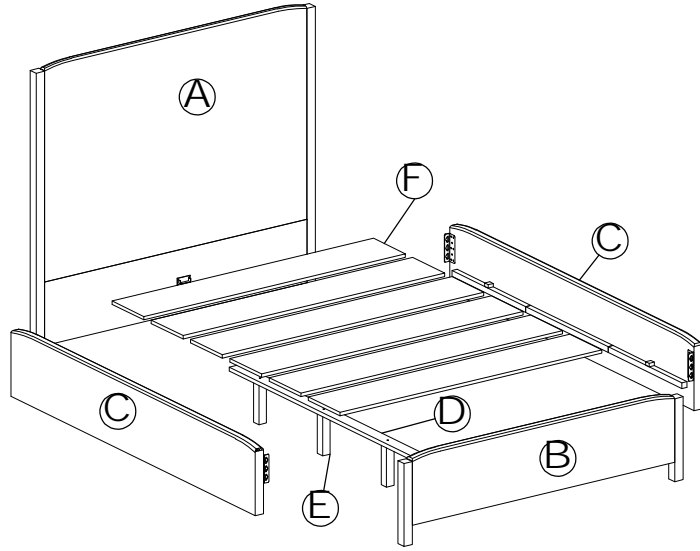


# ASSEMBLY INSTRUCTIONS EMMETT UPHOLSTERED BED



- PLEASE DO NOT DISCARD ANY OF THE PACKAGING UNTIL YOU HAVE CHECKED ALL THE PARTS AND THE PACKS OF HARDWARE.  
 - BEFORE YOU BEGIN TO ASSEMBLE YOUR NEW PIECE OF FURNITURE, PLEASE CHECK TO ENSURE THAT ALL PARTS HAVE BEEN SUPPLIED.  
 - FOLLOW INSTRUCTIONS CLOSELY AS DEVIATION FROM THEM MAY VOID YOUR WARRANTY AND PRESENT A POSSIBLE SAFETY RISK.  
 - IT IS RECOMMENDED THAT ASSEMBLY IS DONE ON A SOFT SURFACE LIKE CARPET TO AVOID ANY DAMAGE.  
 - PERIODICALLY CHECK AND RE-TIGHTEN ANY FASTENERS. WIPE DOWN ALL SURFACES WEEKLY WITH A CLEAN CLOTH. DO NOT CLEAN ANY SURFACES WITH HARSH ABRASIVES OR CHEMICALS.

## Parts Check List

Code	Components	Qty
(A)	HEADBOARD	x01
(B)	FOOT BOARD	x01
(C)	SIDE RAIL	x02
(D)	CENTER SUPPORT	x01
(E)	CENTER LEG	x03
(F)	SLAT	x01

## Hardware Check List

Code	Description	Image	qty
01	Bol t		x12
02	Spring washer		x12
03	Flat washer		x12
04	Screw		x24
05	All en key		x01

Phil I p s head screwdriver tool needed  
(Not included)

