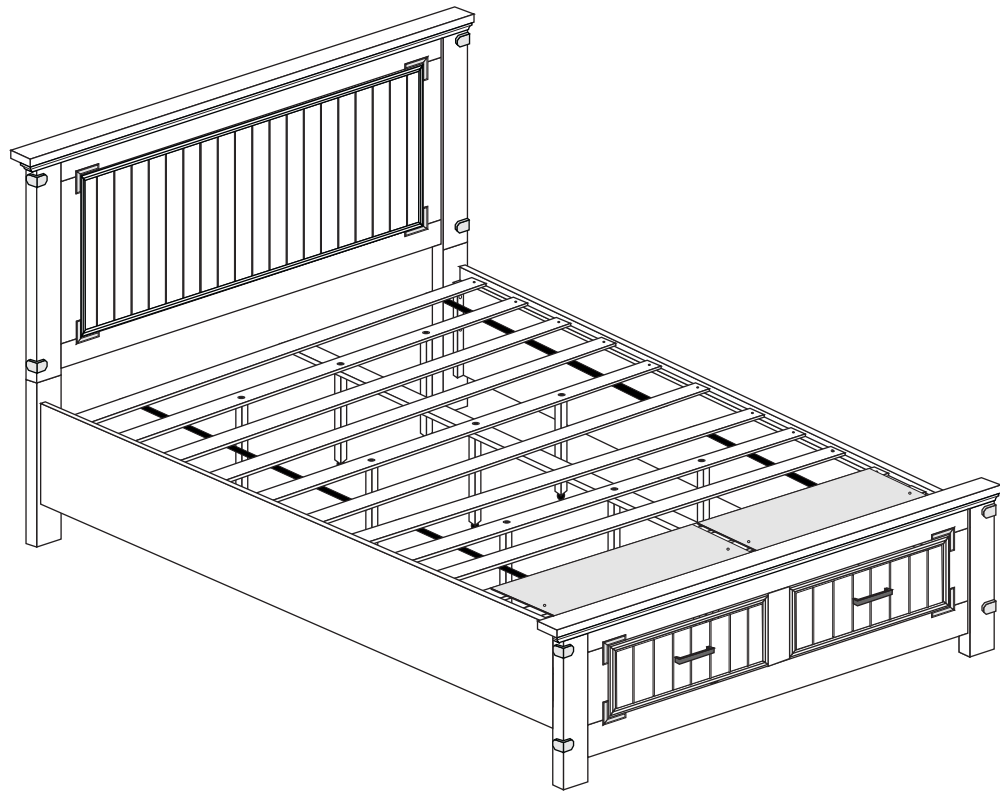


*ASSEMBLY INSTRUCTIONS*  
*COASTER FINE FURNITURE*



*Fine Furniture for every stage of life*

**205260KW (B1-B3)**  
***California King Storage Bed***

REVISION 0:07/27/2016  
REVISION 1:11/20/2018  
REVISION 2:11/08/2019  
REVISION 3:06/01/2022

COASTERFURNITURE.COM

# ITEM: 205260KW(B1-B3)



## ASSEMBLY INSTRUCTIONS

### ASSEMBLY TIPS:

1. Remove hardware from box and sort by size.
2. Please check to see that all hardware and parts are present prior to start of assembly.
3. Please follow attached instructions in the same sequence as numbered to assure fast & easy assembly.



### WARNING!

1. Don't attempt to repair or modify parts that are broken or defective. Please contact the store immediately.
2. This product is for home use only and not intended for commercial establishments.



**ASSEMBLY TIME**

**40 MINUTES**

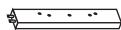
## PARTS IDENTIFICATION

### B1 (BOX 1)

- A HEADBOARD PANEL
- B RIGHT HEADBOARD LEG



1PC



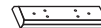
1PC

- C LEFT HEADBOARD LEG



1PC

- D WOOD CLEAT



2PCS

### B2 (BOX 2)

- E STORAGE FOOTBOARD



1PC

### B3 (BOX 3)

- F BED RAIL



2PCS

- G HEADBOARD ROLL SLAT (6PCS)



1SET

- H FOOTBOARD ROLL SLAT (6PCS)



1SET

- I CENTER RAIL



1PC

- J CENTER RAIL SUPPORT WITH LEVELER ( WITHOUT HOLE)



3PCS

- K CENTER RAIL SUPPORT WITH LEVELER ( WITH HOLE)



1PC

- L BED SLAT SUPPORT WITH LEVELER (WITHOUT HOLE)



6PCS

- M BED SLAT SUPPORT WITH LEVELER (WITH HOLE)



2PCS

- N CONCEAL PANEL



2PCS

- HB 205260KW (B1) FROM BOX 1 HEADBOARD COMPLETE



1PC

- E 205260KW (B2) FROM BOX 2 STORAGE FOOTBOARD



1PC

# ITEM: 205260KW(B1-B3)



## ASSEMBLY INSTRUCTIONS

### ASSEMBLY TIPS:

1. Remove hardware from box and sort by size.
2. Please check to see that all hardware and parts are present prior to start of assembly.
3. Please follow attached instructions in the same sequence as numbered to assure fast & easy assembly.









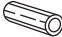


### WARNING!

1. Don't attempt to repair or modify parts that are broken or defective. Please contact the store immediately.
2. This product is for home use only and not intended for commercial establishments.

## HARDWARE IDENTIFICATION

### Z-B3 (BOX 3) - HARDWARE PACK IS LOCATED IN 205260KW (B3)

1	<b>LONG BOLT</b> (M6 x 50mm - RBW)		16PCS
2	<b>SHORT BOLT</b> (M6 x 40mm - RBW)		20PCS
3	<b>BIG FLAT WASHER</b> (M6 x 19mm - RBW)		12PCS
4	<b>SMALL FLAT WASHER</b> (M6 x 13mm - RBW)		12PCS
5	<b>LOCK WASHER</b> (M6 x 13mm - RBW)		24PCS
6	<b>LONG FLAT HEAD SCREW</b> (M4 x 30mm - BLK)		27PCS
7	<b>SHORT FLAT HEAD SCREW</b> (M4 x 16mm - RBW)		8PCS
8	<b>ALLEN WRENCH</b> (M4 x 58mm- BLK)		1PC
9	<b>WOOD DOWEL</b> (Ø10 x 30mm)		8PCS

### NOTE :

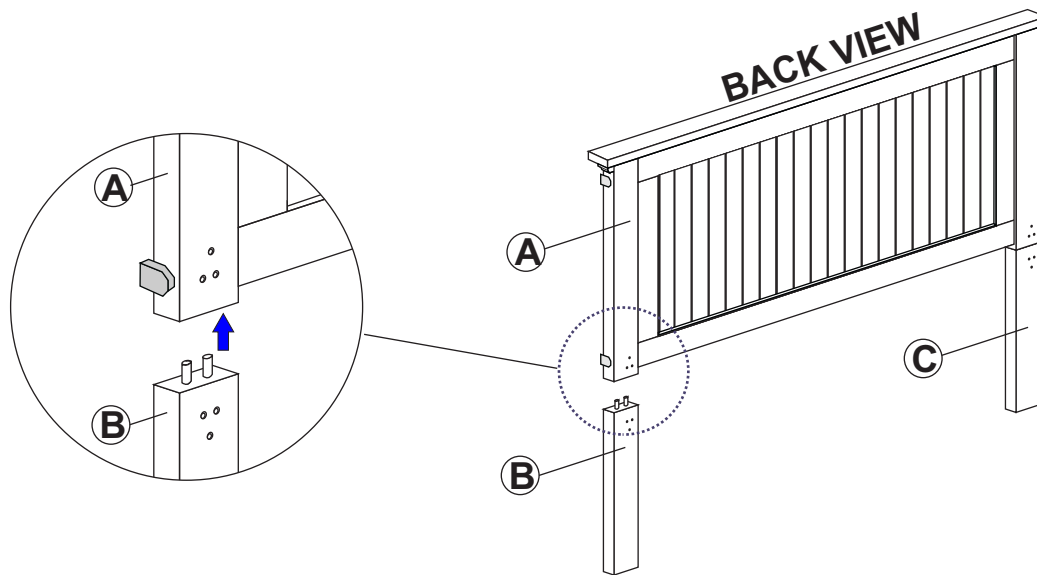
Phillips head screw driver is required in the assembly process; however, manufacturer does not provide this item.

# ITEM: 205260KW(B1-B3)

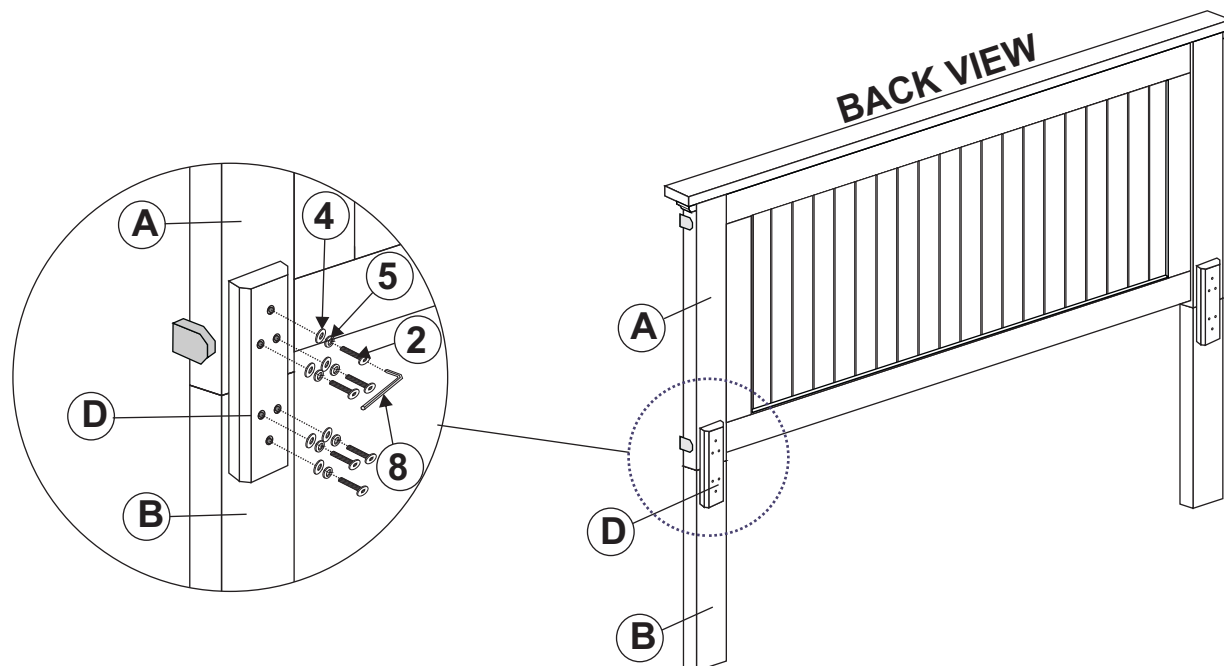
## ASSEMBLY INSTRUCTIONS



### STEP 1



### STEP 2

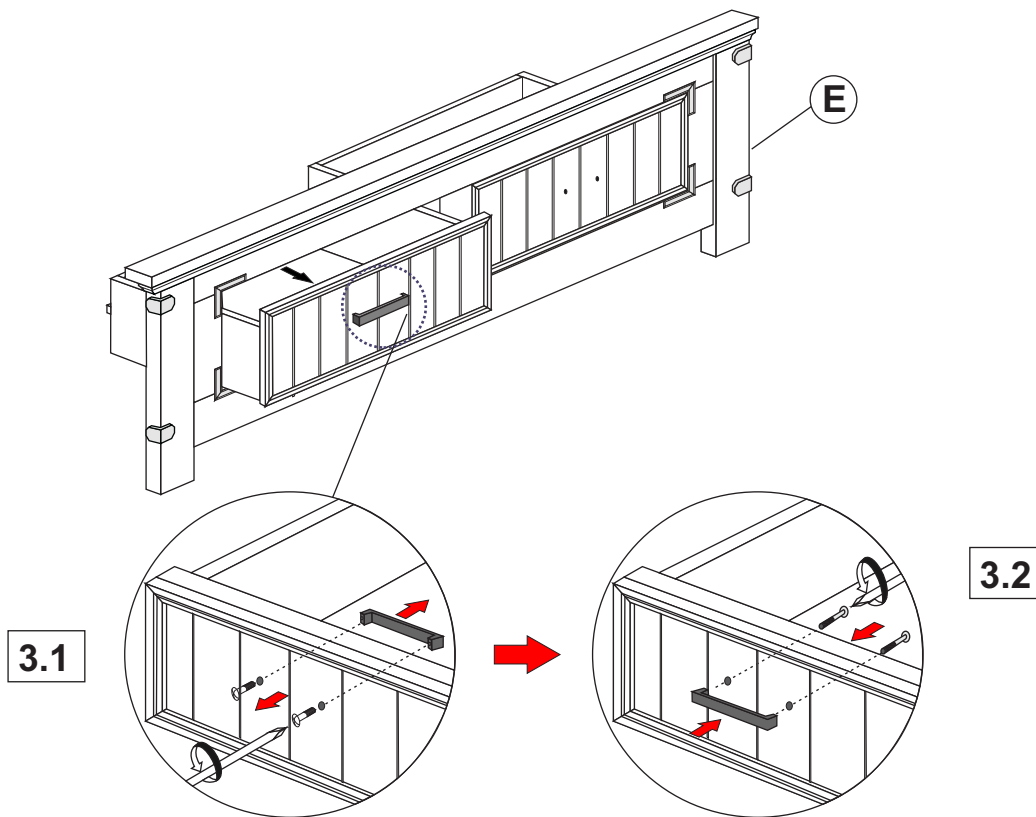


# ITEM: 205260KW(B1-B3)

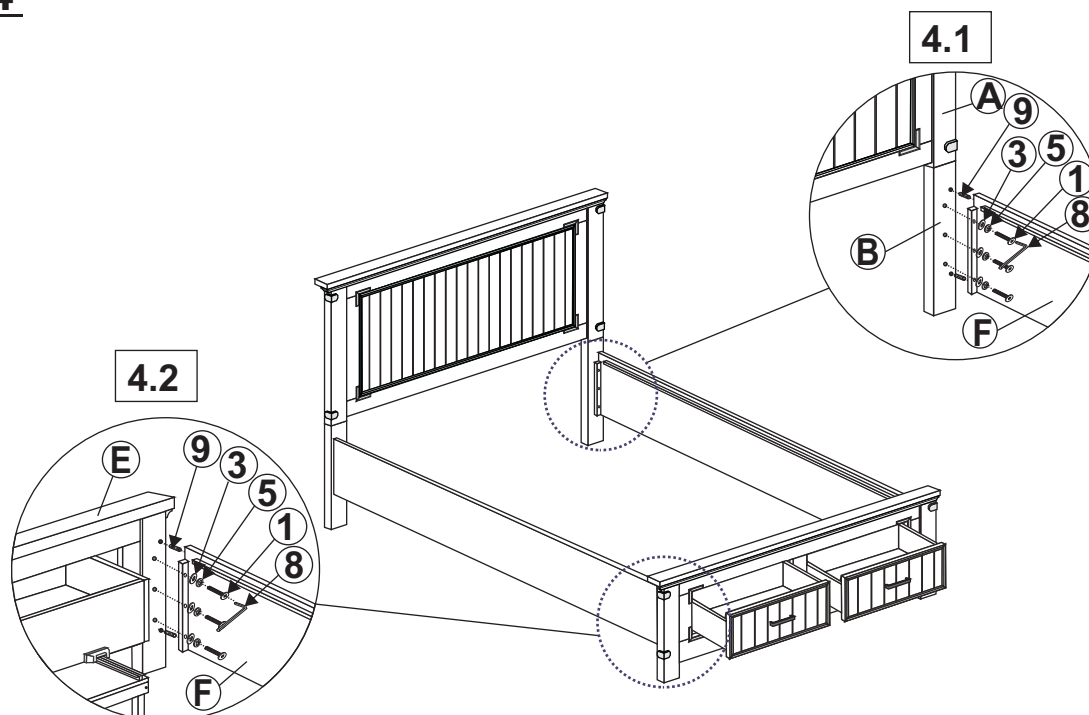
## ASSEMBLY INSTRUCTIONS



### STEP 3



### STEP 4

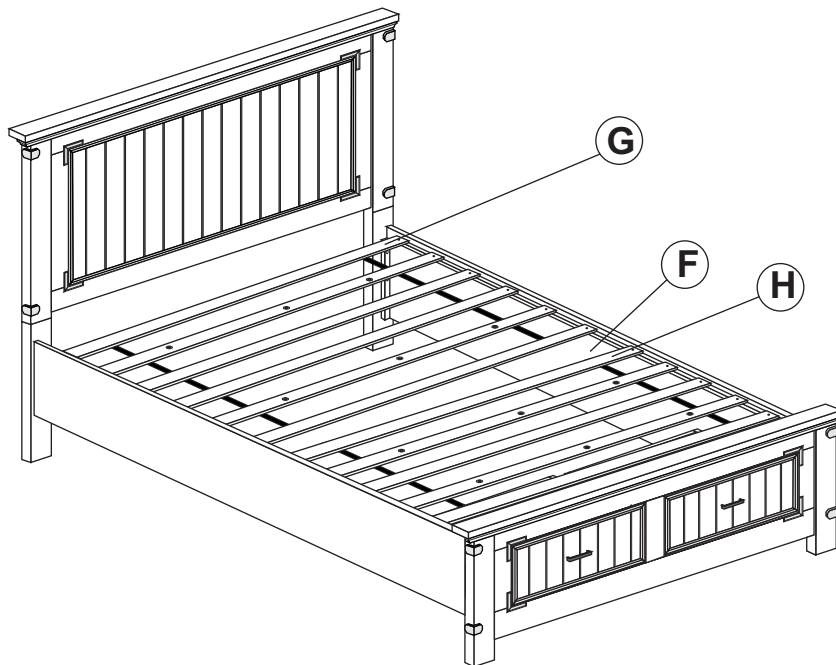


# ITEM: 205260KW(B1-B3)

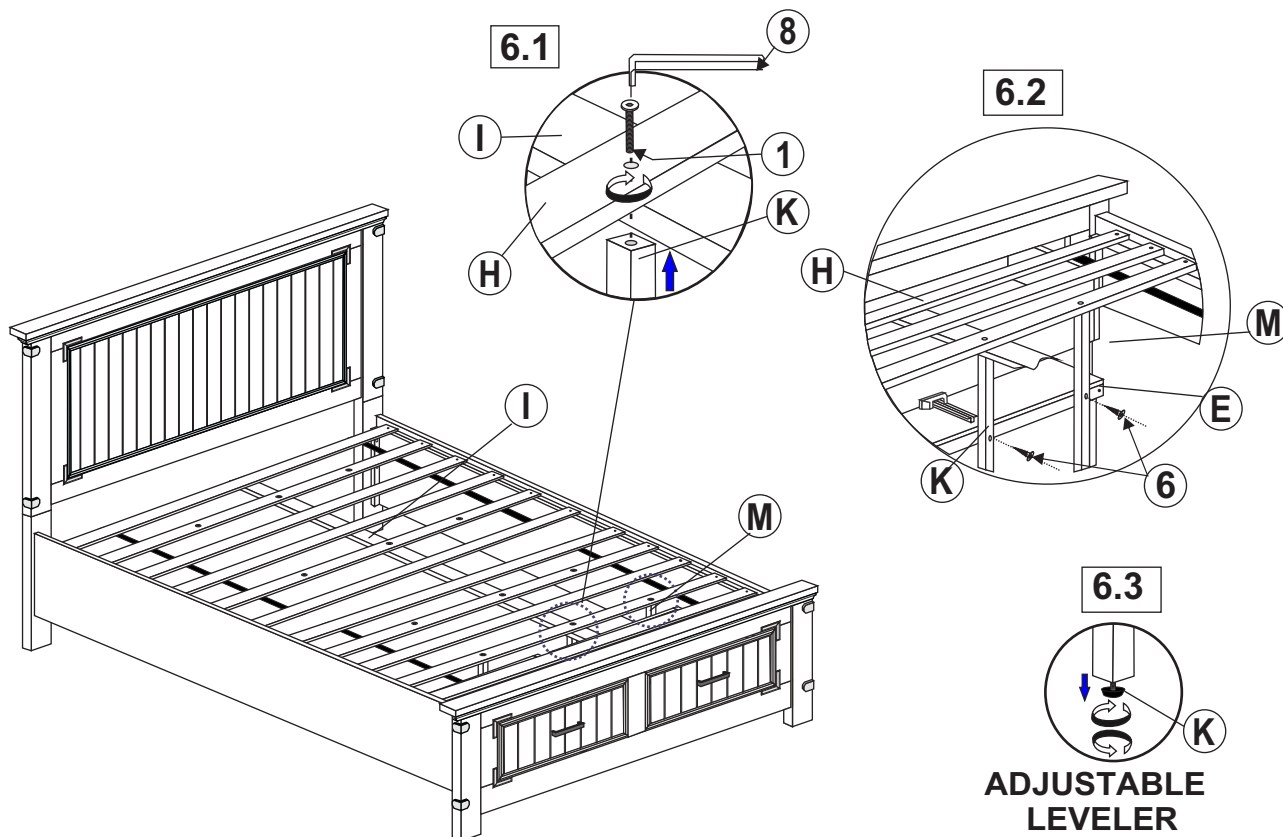
## ASSEMBLY INSTRUCTIONS



### STEP 5



### STEP 6



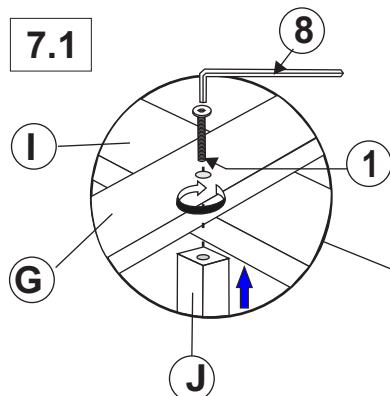
# ITEM: 205260KW(B1-B3)

## ASSEMBLY INSTRUCTIONS

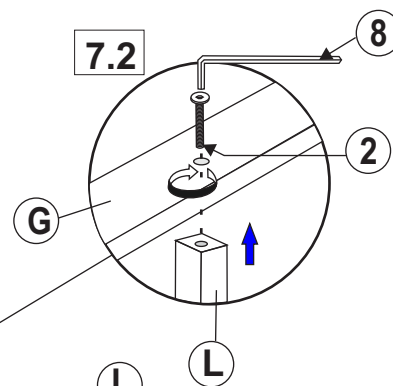


### STEP 7

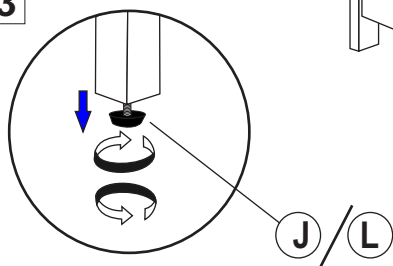
7.1



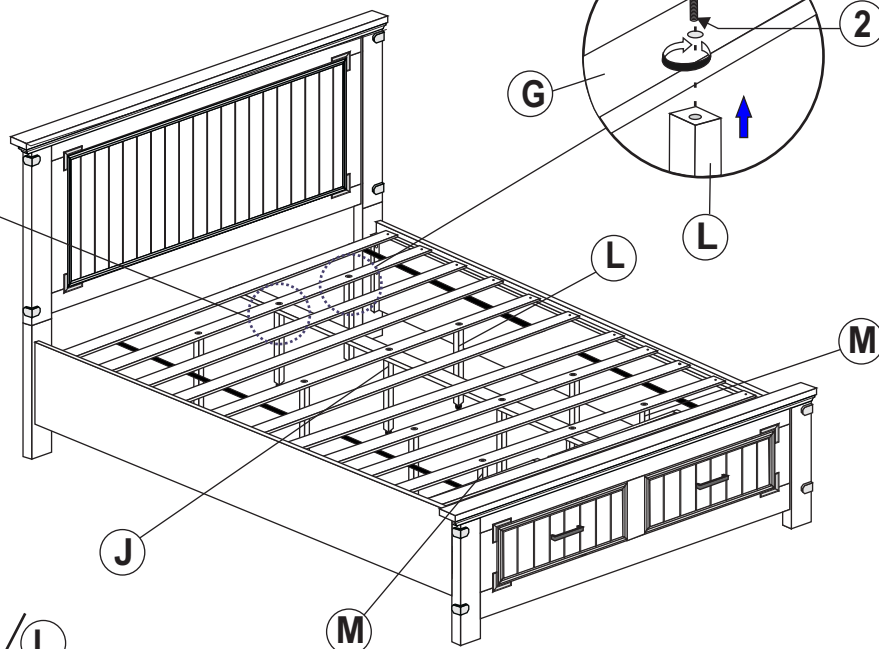
7.2



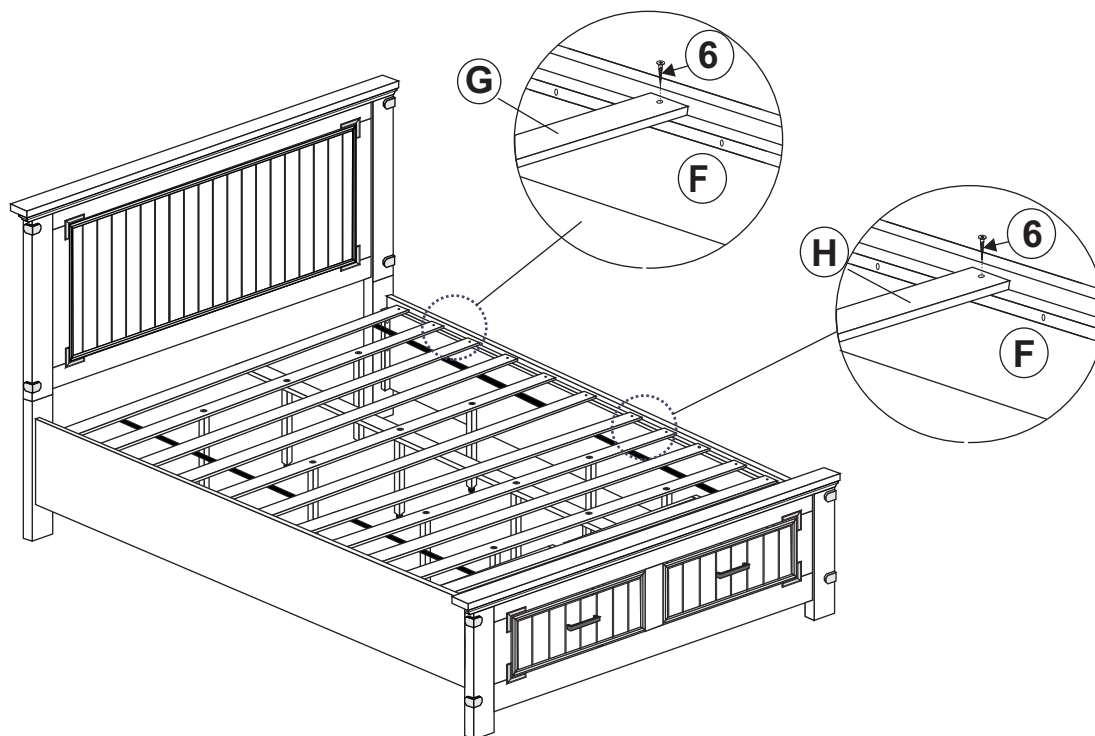
7.3



ADJUSTABLE  
LEVELER



### STEP 8

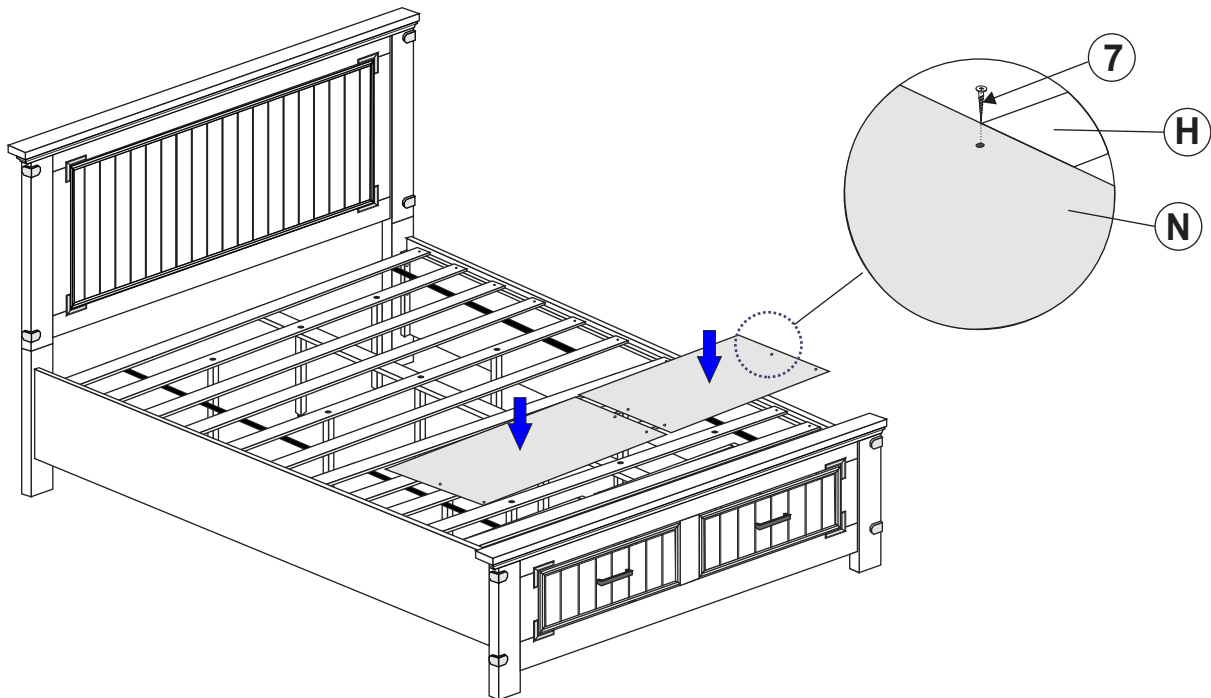


# ITEM: 205260KW(B1-B3)

## ASSEMBLY INSTRUCTIONS



### STEP 9



### STEP 10 **COMPLETE**

