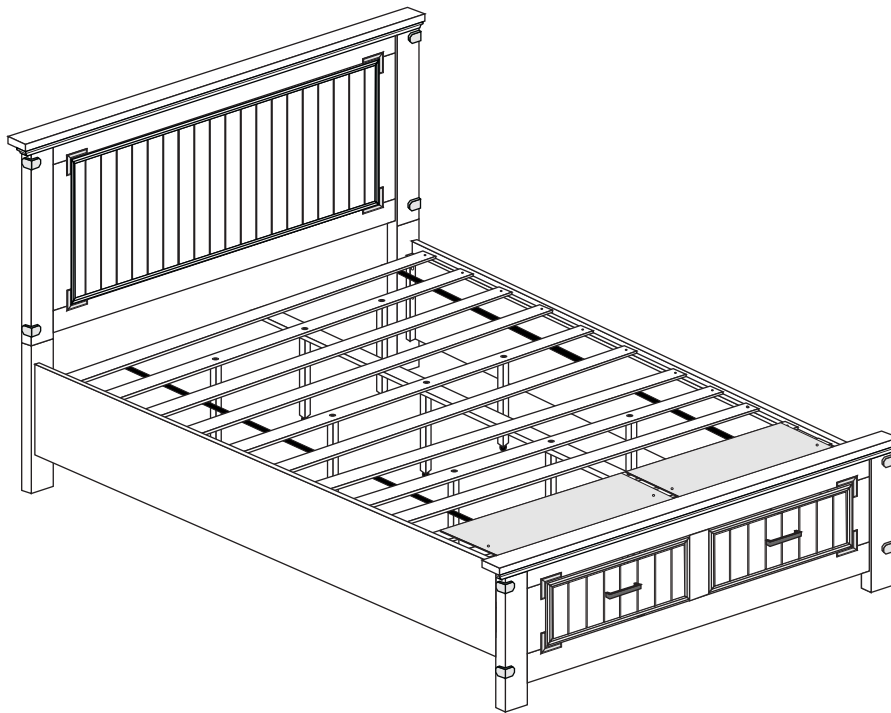


ASSEMBLY INSTRUCTIONS
COASTER FINE FURNITURE



Fine Furniture for every stage of life

205260KE (B1-B3)
Eastern King Storage Bed

REVISION 0:07/27/2016
REVISION 1:11/20/2018
REVISION 2:11/08/2019
REVISION 3:06/01/2022

COASTERFURNITURE.COM

ITEM: 205260KE(B1-B3)



ASSEMBLY INSTRUCTIONS

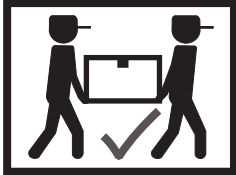
ASSEMBLY TIPS:

- 1 . Remove hardware from box and sort by size.
- 2 . Please check to see that all hardware and parts are present prior to start of assembly
- 3 . Please follow attached instructions in the same sequence as numbered to assure fast & easy assembly.



WARNING!

- 1 . Don't attempt to repair or modify parts that are broken or defective. Please contact the store immediately.
- 2 . This product is for home use only and not intended for commercial establishments.



ASSEMBLY TIME

40 MINUTES

PARTS IDENTIFICATION

B1 (BOX 1)

A HEADBOARD PANEL



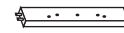
1PC

B RIGHT HEADBOARD LEG



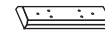
1PC

C LEFT HEADBOARD LEG



1PC

D WOOD CLEAT



2PCS

B2 (BOX 2)

E STORAGE FOOTBOARD



1PC

B3 (BOX 3)

F BED RAIL



2PCS

G HEADBOARD ROLL SLAT (6PCS)



1SET

H FOOTBOARD ROLL SLAT (6PCS)



1SET

I CENTER RAIL



1PC

J CENTER RAIL SUPPORT WITH LEVELER (WITHOUT HOLE)



3PCS

K CENTER RAIL SUPPORT WITH LEVELER (WITH HOLE)



1PC

L BED SLAT SUPPORT WITH LEVELER (WITHOUT HOLE)



6PCS

M BED SLAT SUPPORT WITH LEVELER (WITH HOLE)



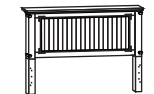
2PCS

N CONCEAL PANEL



2PCS

HB 205260KE (B1) FROM BOX 1 HEADBOARD COMPLETE



1PC

E 205260KE (B2) FROM BOX 2 STORAGE FOOTBOARD



1PC

ITEM: 205260KE(B1-B3)



ASSEMBLY INSTRUCTIONS

ASSEMBLY TIPS:

- 1 . Remove hardware from box and sort by size.
- 2 . Please check to see that all hardware and parts are present prior to start of assembly
- 3 . Please follow attached instructions in the same sequence as numbered to assure fast & easy assembly.









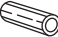


WARNING!

- 1 . Don't attempt to repair or modify parts that are broken or defective. Please contact the store immediately.
- 2 . This product is for home use only and not intended for commercial establishments.

HARDWARE IDENTIFICATION

Z-B3 (BOX 3) - HARDWARE PACK IS LOCATED IN 205260KE (B3)

1	LONG BOLT (M6 x 50mm - RBW)		16PCS
2	SHORT BOLT (M6 x 40mm - RBW)		20PCS
3	BIG FLAT WASHER (M6 x 19mm - RBW)		12PCS
4	SMALL FLAT WASHER (M6 x 13mm - RBW)		12PCS
5	LOCK WASHER (M6 x 13mm - RBW)		24PCS
6	LONG FLAT HEAD SCREW (M4 x 30mm - BLK)		27PCS
7	SHORT FLAT HEAD SCREW (M4 x 16mm - RBW)		8PCS
8	ALLEN WRENCH (M4 x 58mm- BLK)		1PC
9	WOOD DOWEL (Ø10 x 30mm)		8PCS

NOTE :

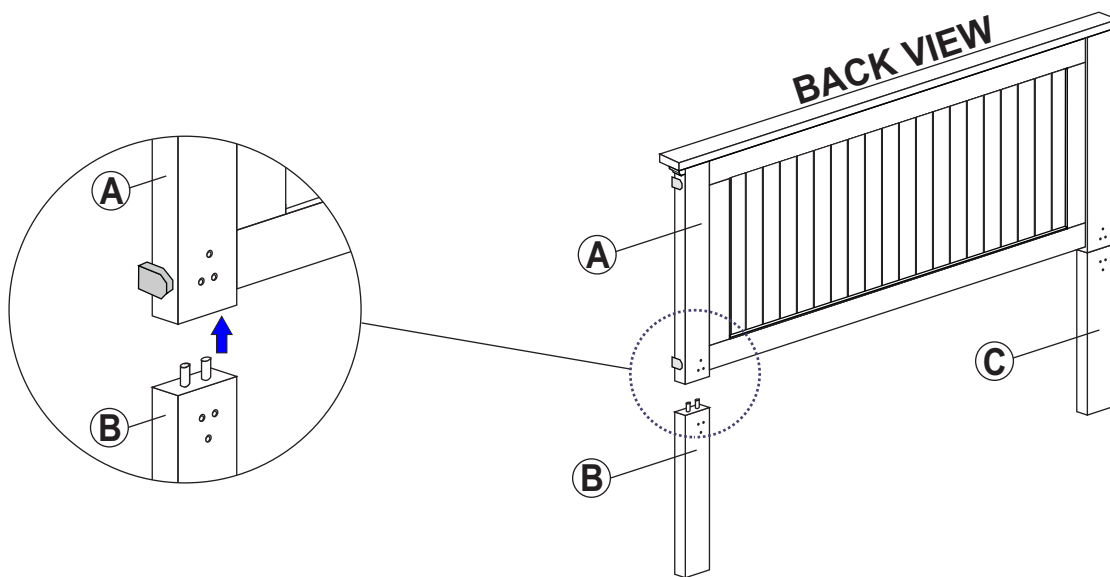
Phillips head screw driver is required in the assembly process; however, manufacturer does not provide this item.

ITEM: 205260KE(B1-B3)

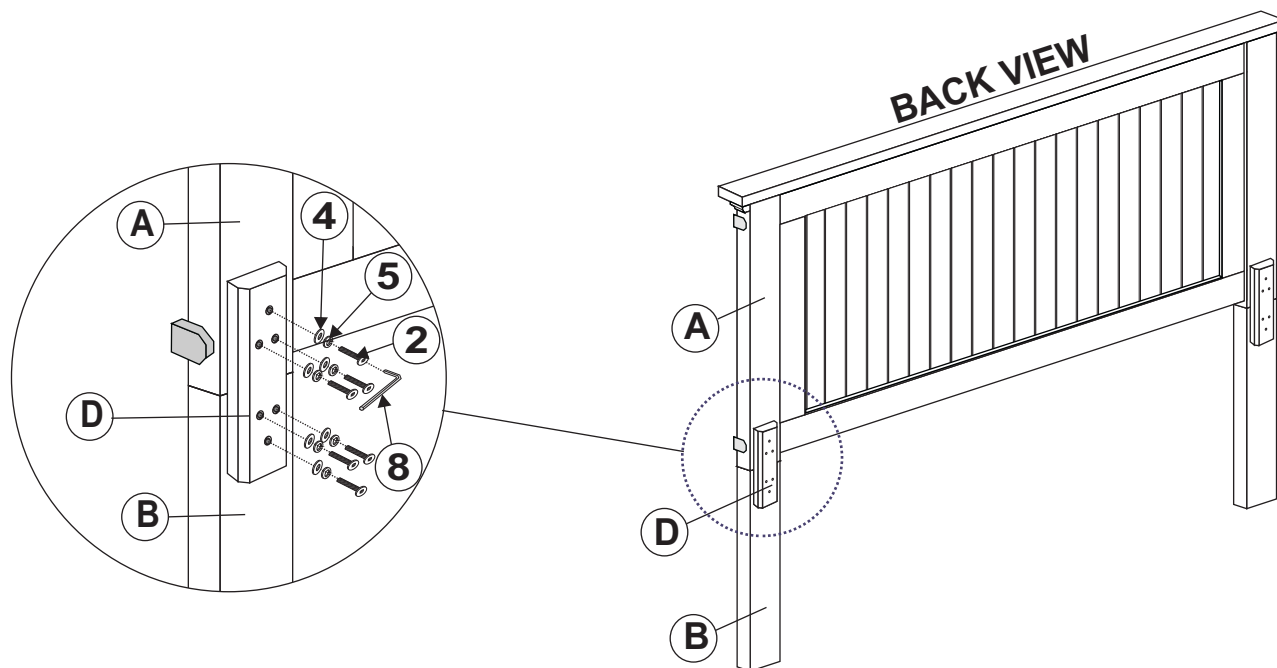
ASSEMBLY INSTRUCTIONS



STEP 1



STEP 2

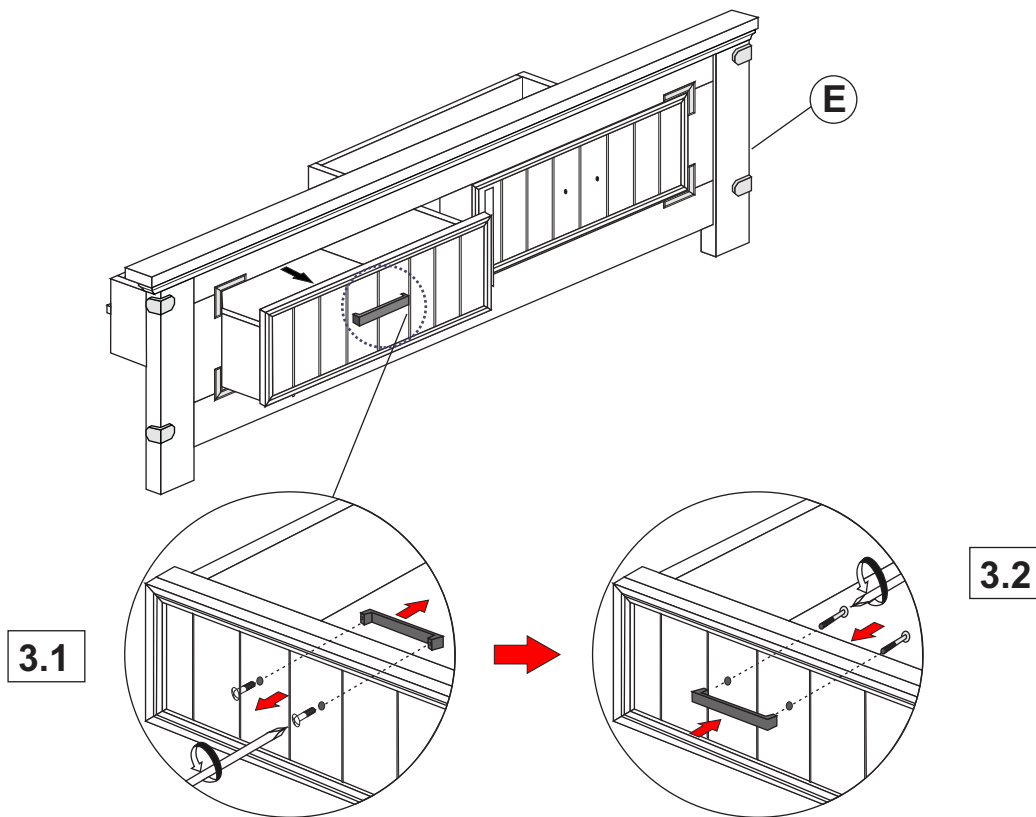


ITEM: 205260KE(B1-B3)

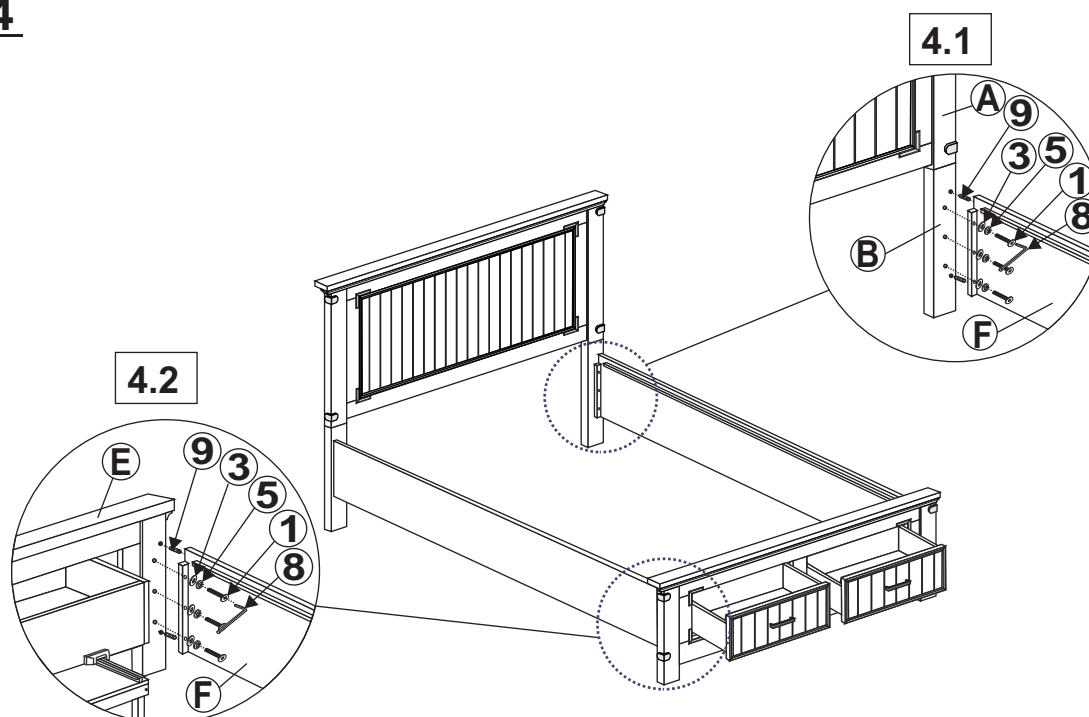
ASSEMBLY INSTRUCTIONS



STEP 3



STEP 4

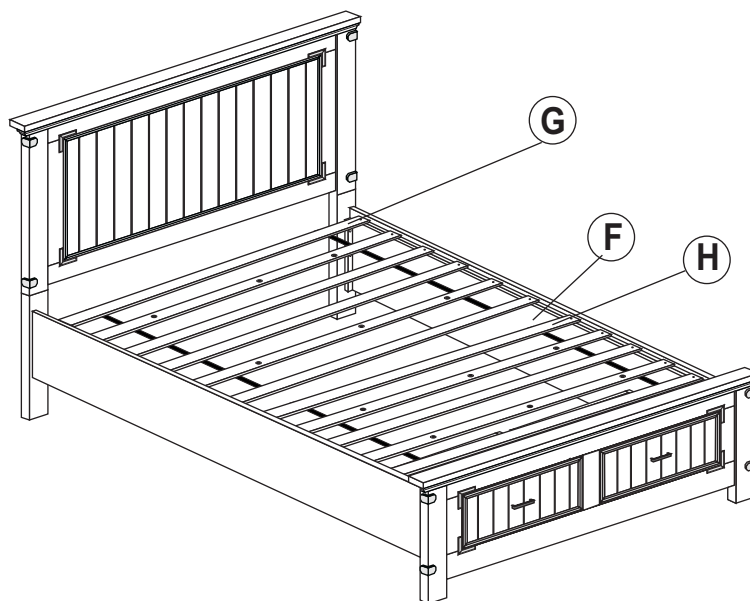


ITEM: 205260KE(B1-B3)

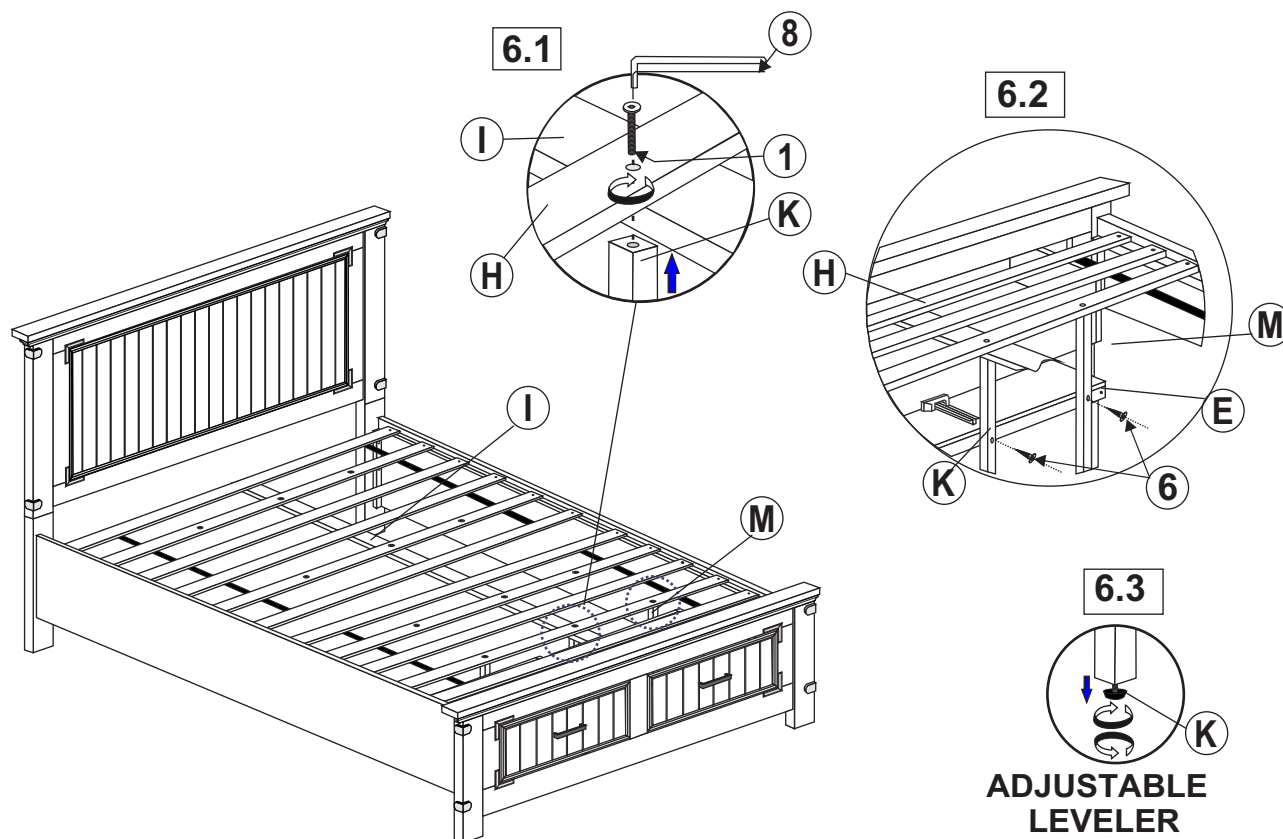
ASSEMBLY INSTRUCTIONS



STEP 5



STEP 6



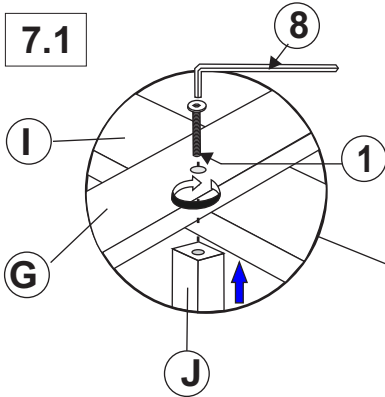
ITEM: 205260KE(B1-B3)

ASSEMBLY INSTRUCTIONS

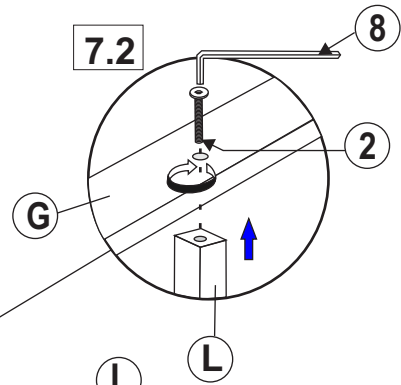


STEP 7

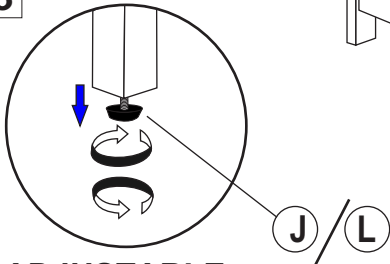
7.1



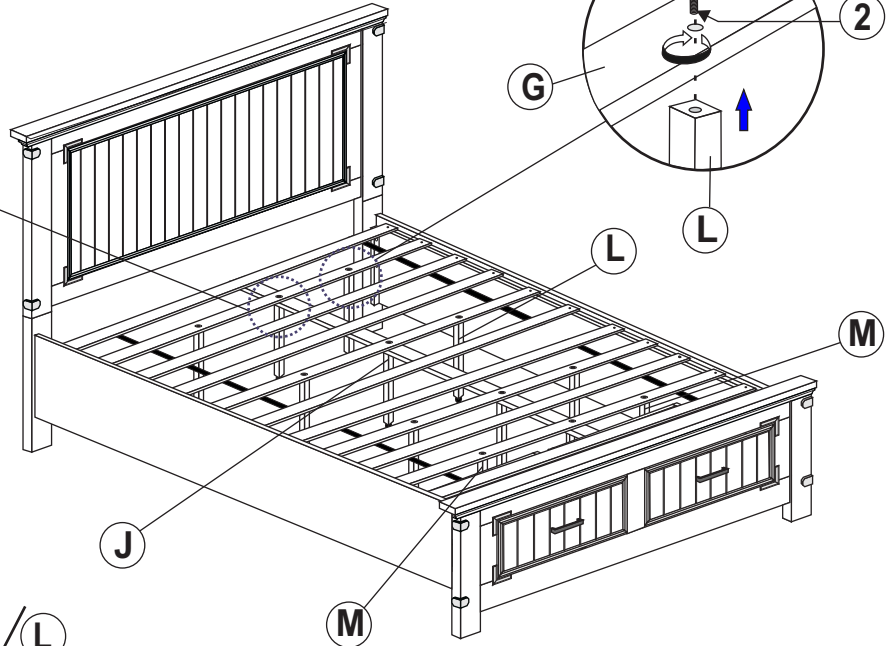
7.2



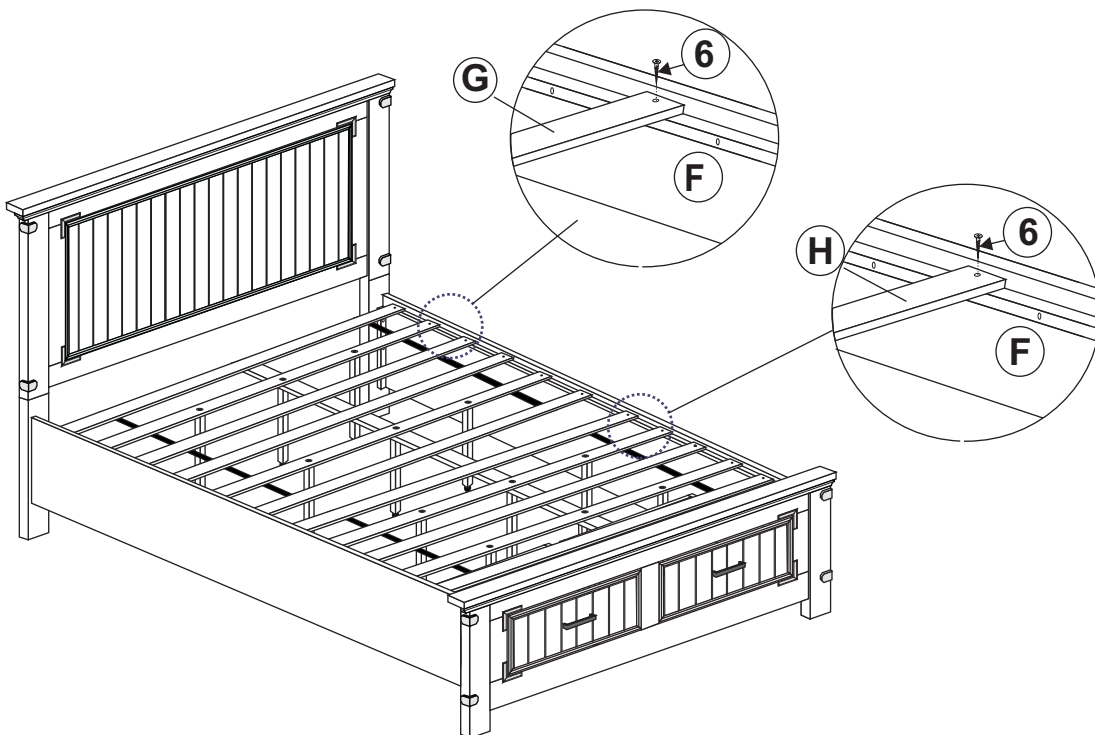
7.3



ADJUSTABLE
LEVELER



STEP 8

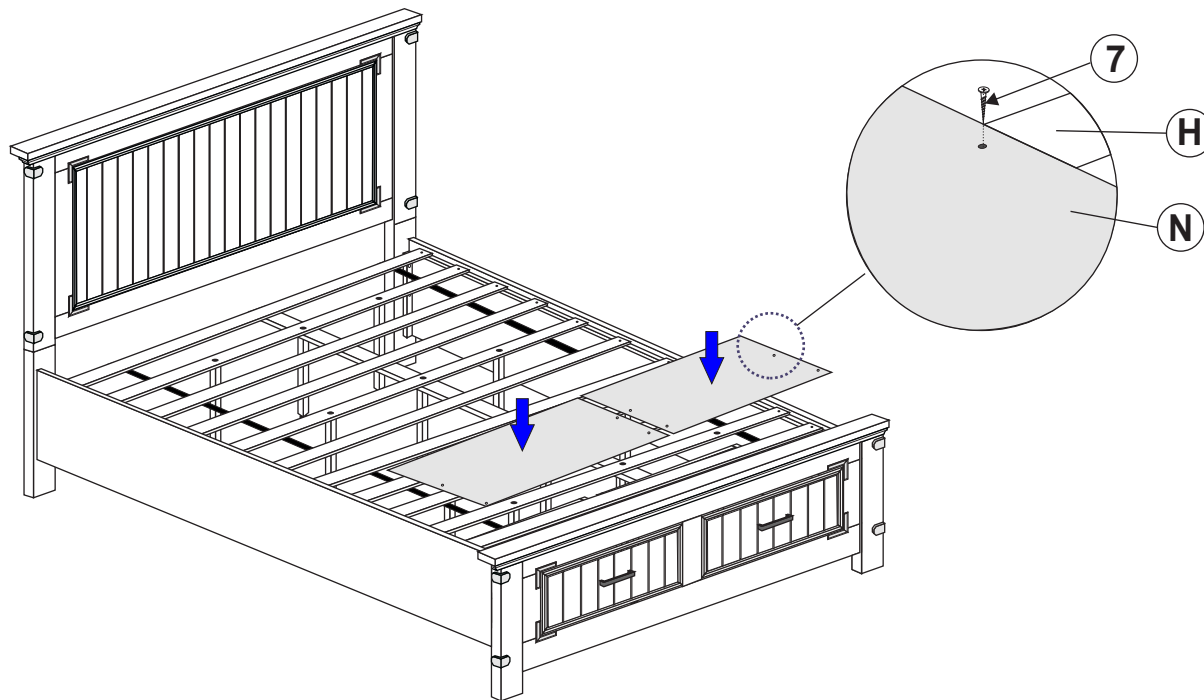


ITEM: **205260KE(B1-B3)**

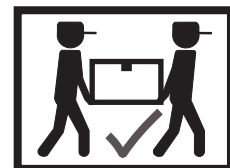
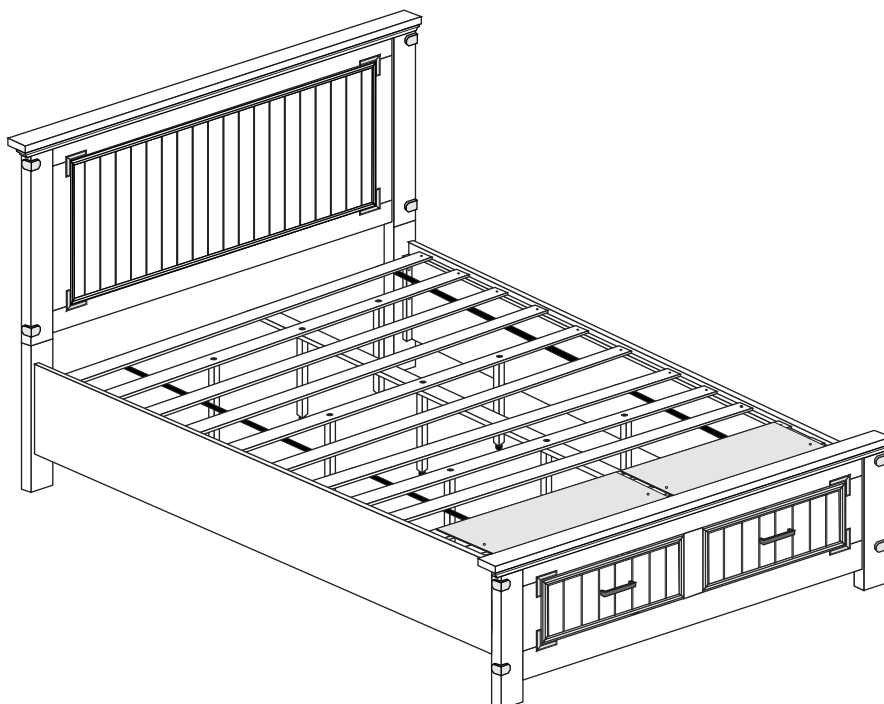
ASSEMBLY INSTRUCTIONS



STEP 9



STEP 10
COMPLETE

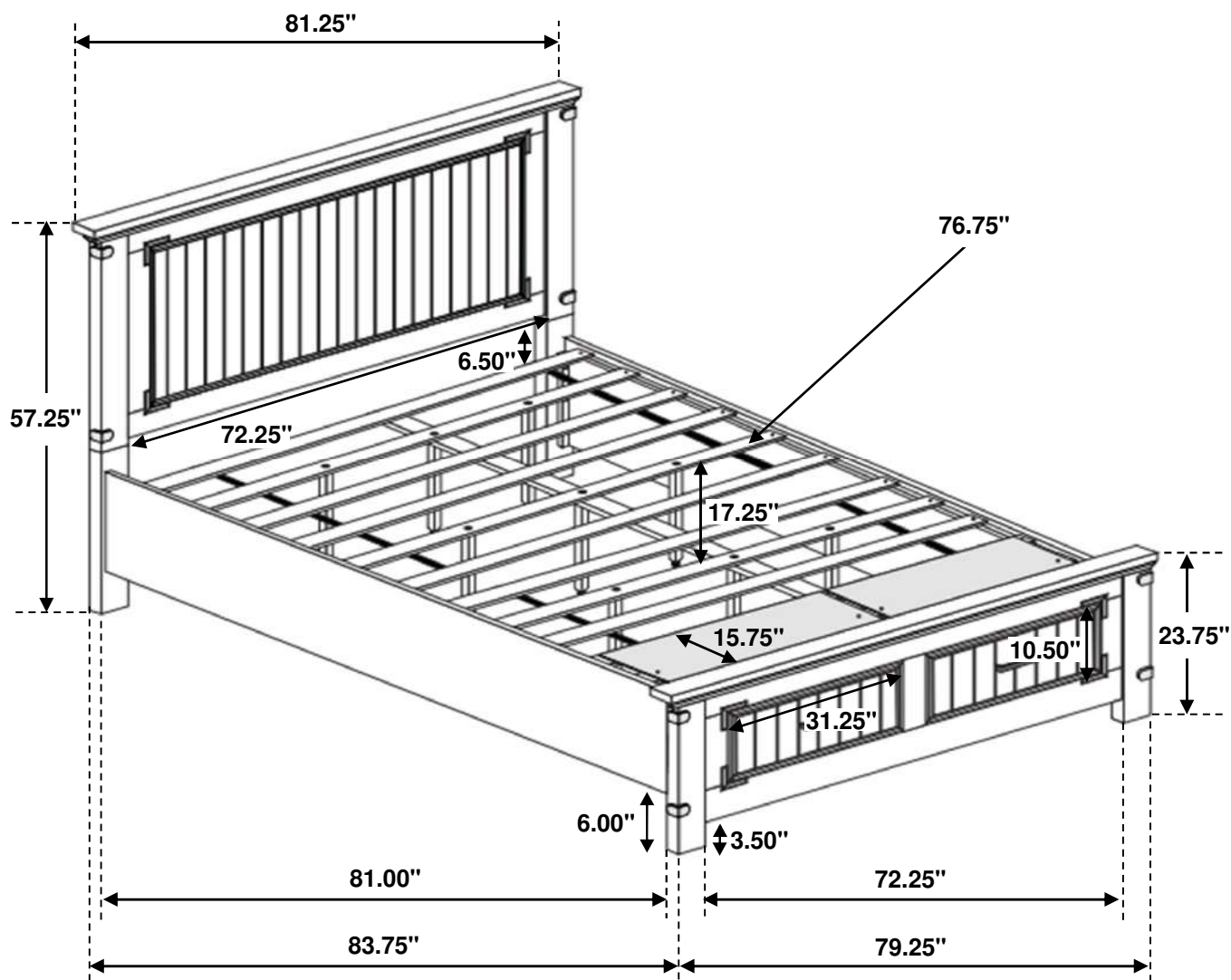


ITEM: 205260KE(B1-B3)

ASSEMBLY INSTRUCTIONS



Inner Size : 77.00"W X 81.00"D
Inner Size of Drawer : 27.50"W X 13.50"D X 7.25"H X 0.50"T



Note : Dimension tolerance $\pm 5\%$