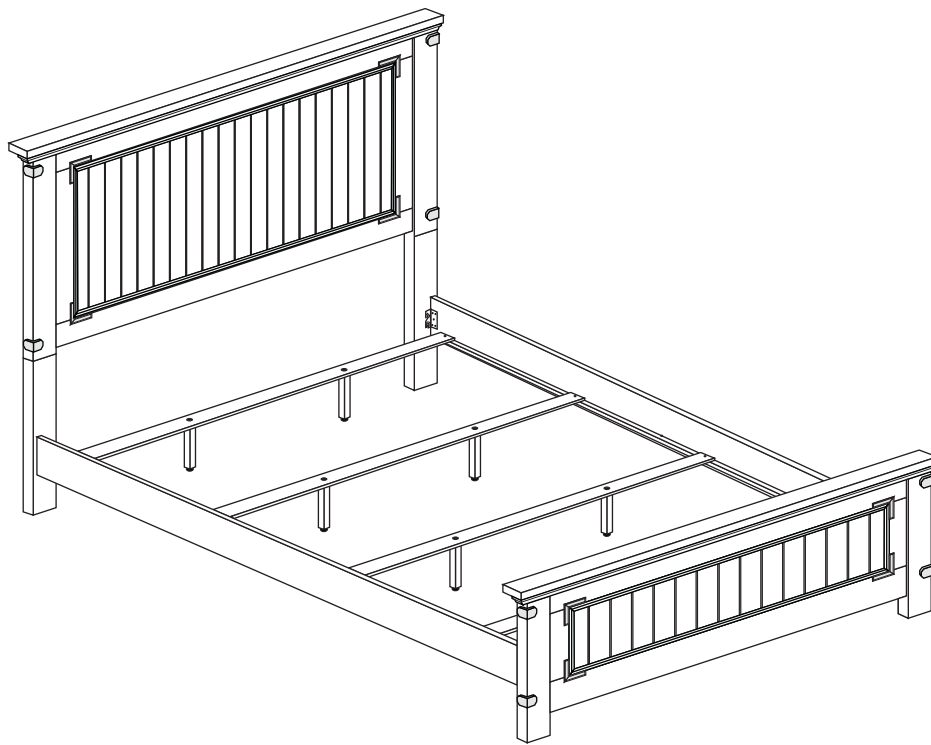


*ASSEMBLY INSTRUCTIONS*  
*COASTER FINE FURNITURE*



*Fine Furniture for every stage of life*

**205261KE (B1&B2)**  
***Eastern King Bed***

REVISION 0:07/27/2016  
REVISION 1:11/20/2018  
REVISION 2:01/14/2020  
REVISION 3:06/01/2022

COASTERFURNITURE.COM

# ITEM: 205261KE (B1 & B2)

## ASSEMBLY INSTRUCTIONS



### ASSEMBLY TIPS:

1. Remove hardware from box and sort by size.
2. Please check to see that all hardware and parts are present prior to start of assembly.
3. Please follow attached instructions in the same sequence as numbered to assure fast & easy assembly.



### WARNING!

1. Don't attempt to repair or modify parts that are broken or defective. Please contact the store immediately.
2. This product is for home use only and not intended for commercial establishments.



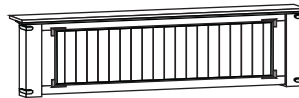
ASSEMBLY TIME

20 MINUTES

## PARTS IDENTIFICATION

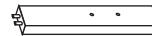
### B1 (BOX 1)

A HEADBOARD PANEL



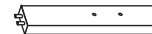
1PC

B RIGHT HEADBOARD LEG



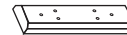
1PC

C LEFT HEADBOARD LEG



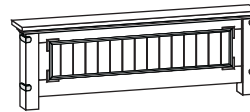
1PC

D WOOD CLEAT



2PCS

E FOOTBOARD



1PC

### B2 (BOX 2)

F BED RAIL



2PCS

G BED SLAT



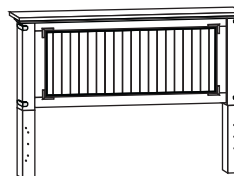
4PCS

H BED SLAT SUPPORT WITH LEVELER



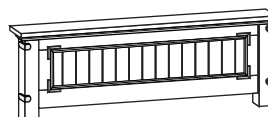
8PCS

HB 205261KE (B1)  
FROM BOX 1  
HEADBOARD COMPLETE



1PC

E 205261KE (B1)  
FROM BOX 1  
FOOTBOARD



1PC

# ITEM: 205261KE (B1 & B2)

## ASSEMBLY INSTRUCTIONS



### ASSEMBLY TIPS:

1. Remove hardware from box and sort by size.
2. Please check to see that all hardware and parts are present prior to start of assembly.
3. Please follow attached instructions in the same sequence as numbered to assure fast & easy assembly.











### WARNING!

1. Don't attempt to repair or modify parts that are broken or defective. Please contact the store immediately.
2. This product is for home use only and not intended for commercial establishments.

## HARDWARE IDENTIFICATION

### Z-B2 (BOX 2) - HARDWARE PACK IS LOCATED IN 205261KE (B2)

1	<b>LONG BOLT</b> (M6 x 40mm - RBW)		20PCS
2	<b>SHORT BOLT</b> (M8 x 20mm - RBW)		8PCS
3	<b>BIG FLAT WASHER</b> (5/16" x 22mm - RBW)		8PCS
4	<b>SMALL FLAT WASHER</b> (M6 x 13mm - RBW)		12PCS
5	<b>LOCK WASHER</b> (M6 x 13mm - RBW)		12PCS
6	<b>FLAT HEAD SCREW</b> (M4 x 30mm - BLK)		8PCS
7	<b>SMALL ALLEN WRENCH</b> (M4 x 58mm - BLK)		1PC
8	<b>BIG ALLEN WRENCH</b> (M5 x 67mm - BLK)		1PC

### NOTE :

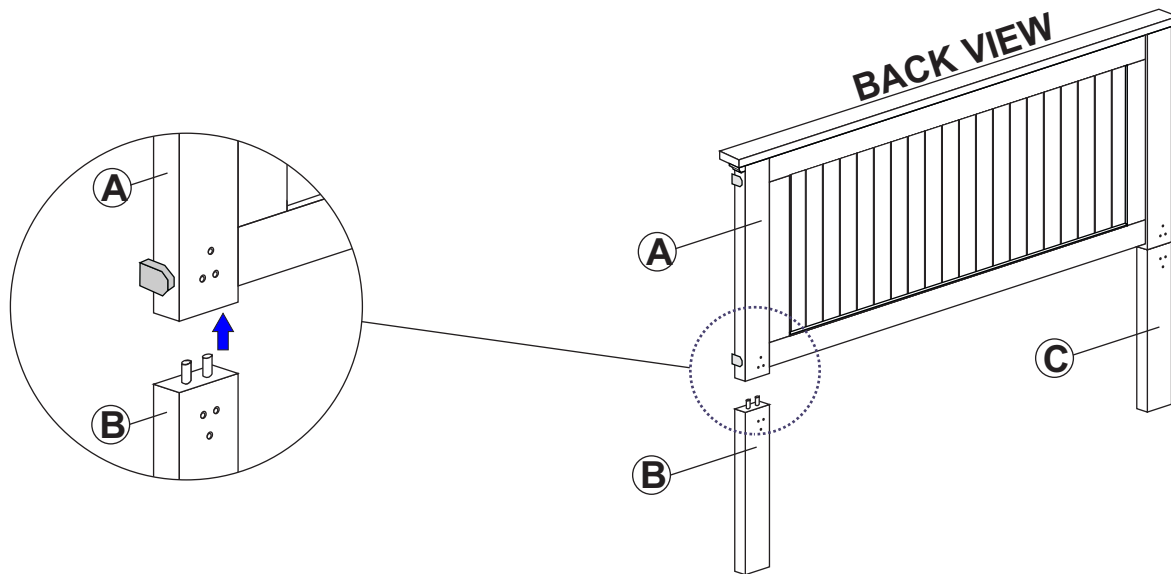
Phillips head screw driver is required in the assembly process; however, manufacturer does not provide this item.

# ITEM: 205261KE (B1 & B2)

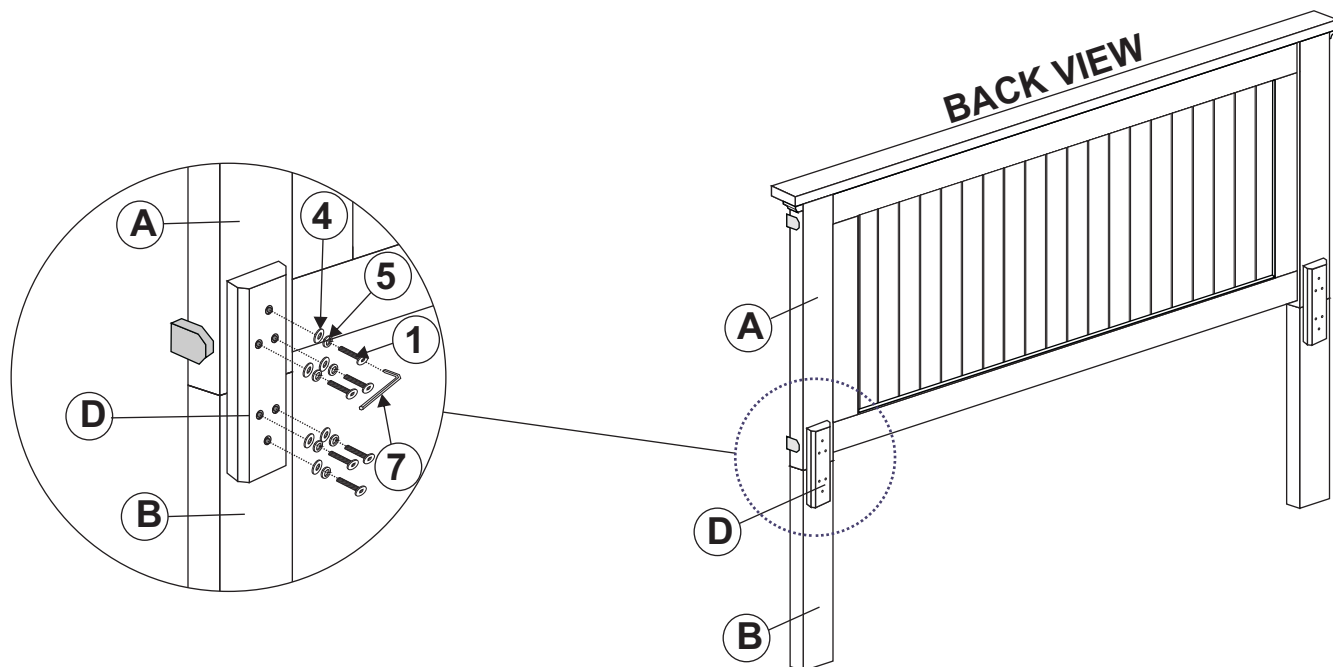
## ASSEMBLY INSTRUCTIONS



### STEP 1



### STEP 2

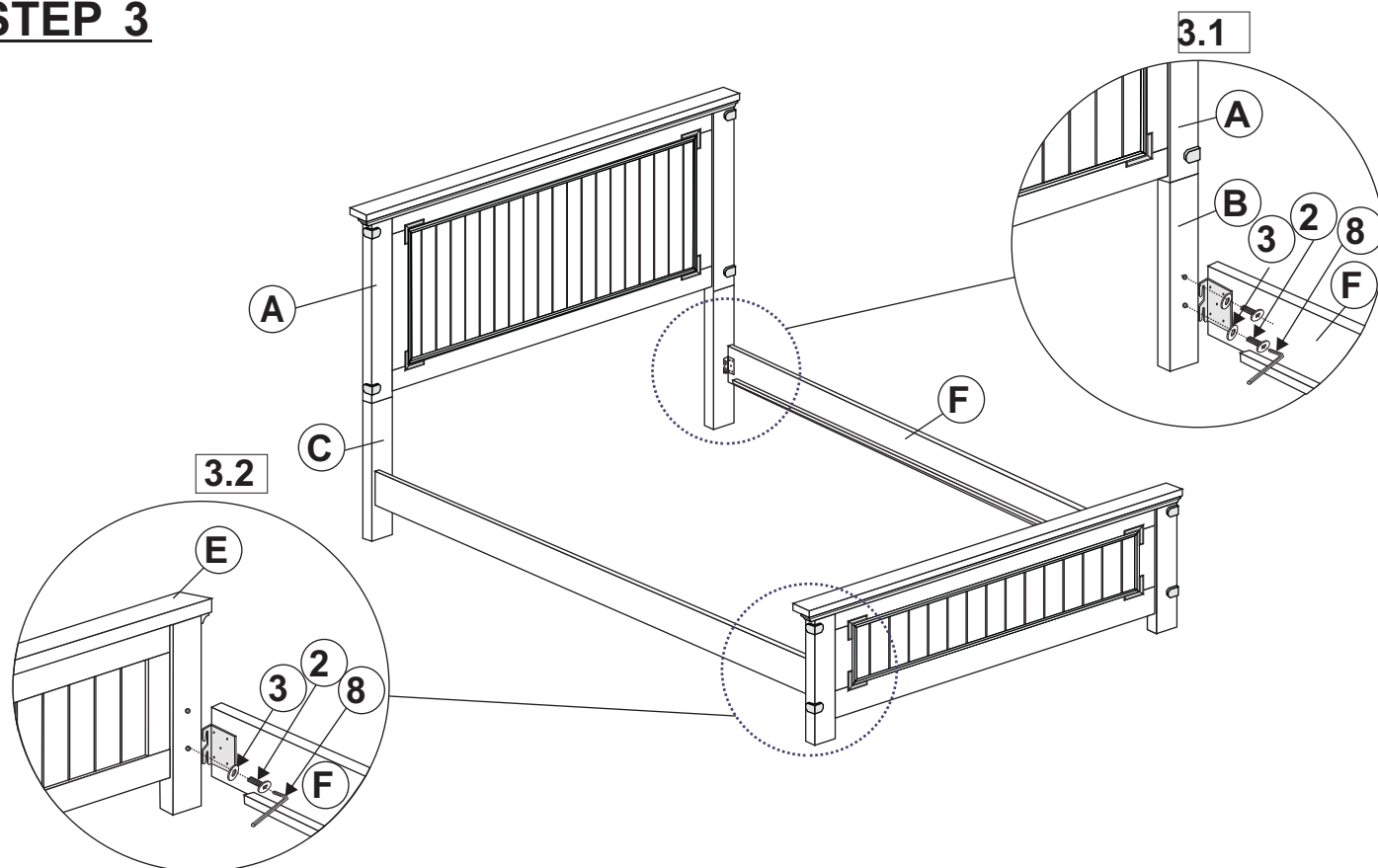


# ITEM: 205261KE (B1 & B2)

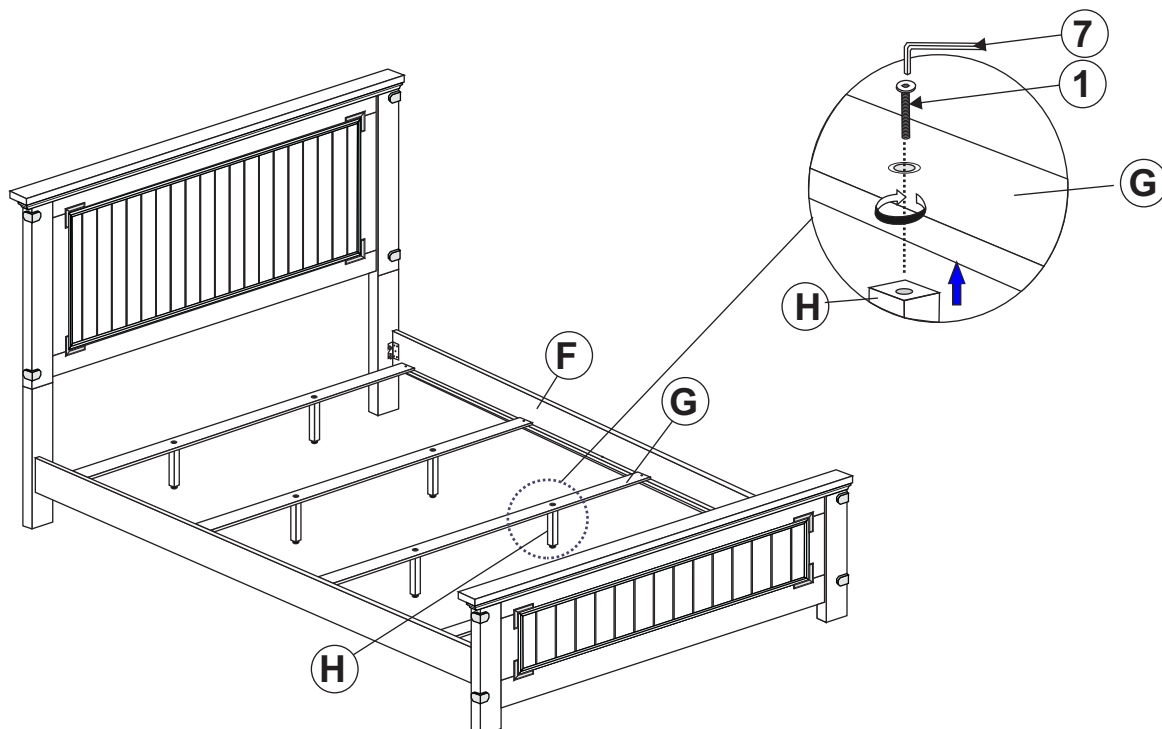
## ASSEMBLY INSTRUCTIONS



### STEP 3



### STEP 4

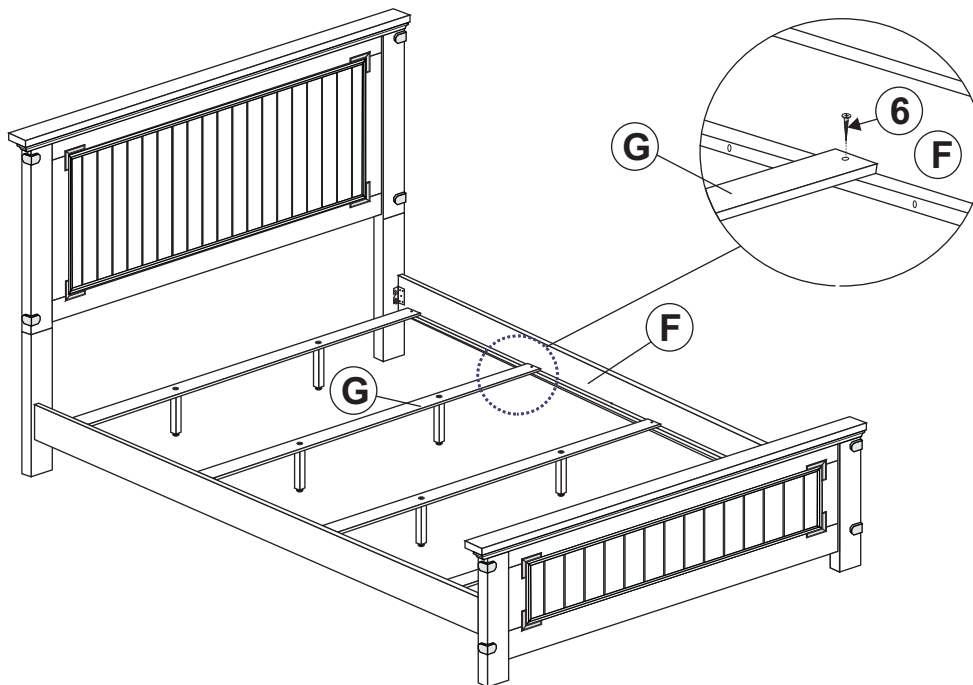


# ITEM: 205261KE (B1 & B2)

## ASSEMBLY INSTRUCTIONS

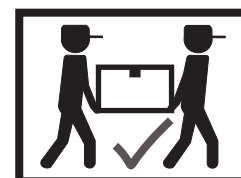
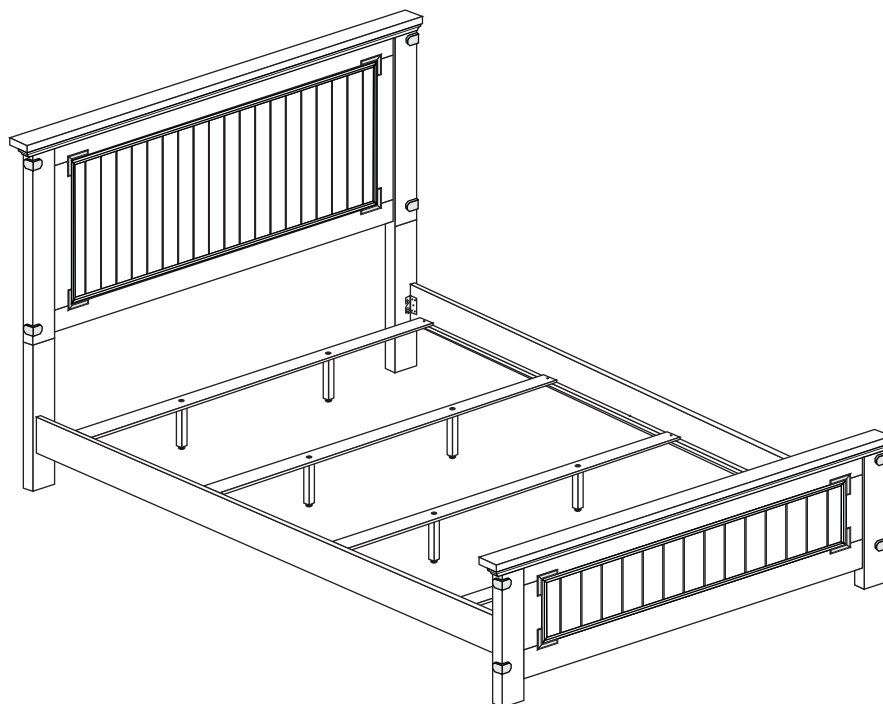


### STEP 5



### STEP 6

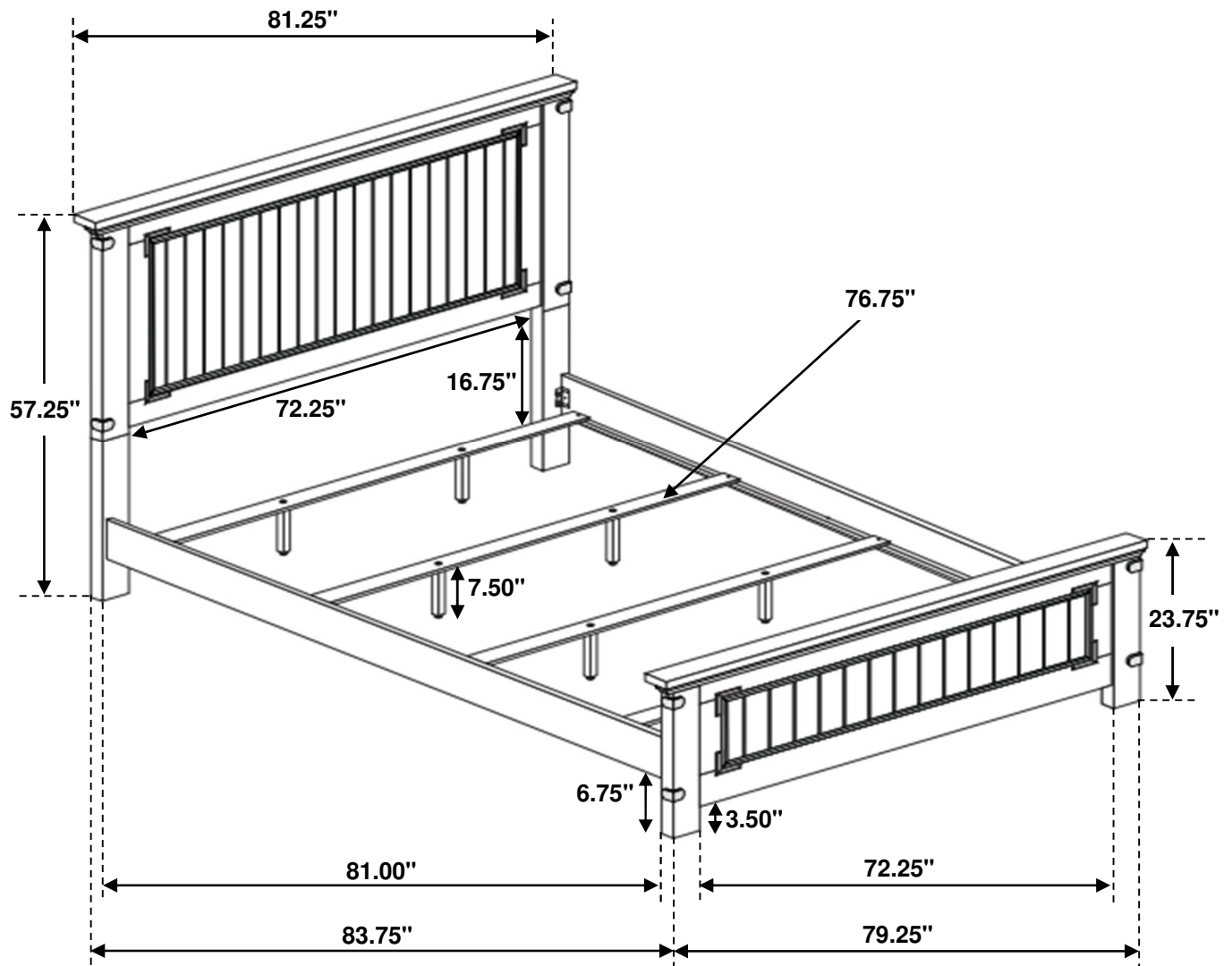
### COMPLETE



ITEM: 205261KE (B1 & B2)



Inner Size : 77.00"W X 81.00"D



Note : Dimension tolerance  $\pm 5\%$