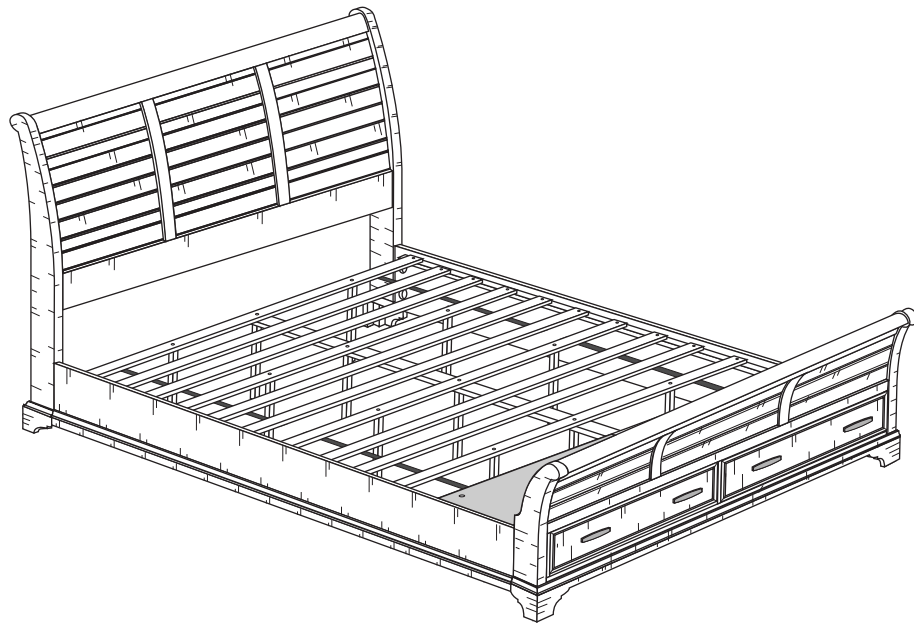


*ASSEMBLY INSTRUCTIONS*  
*COASTER FINE FURNITURE*



*Fine Furniture for every stage of life*

**203891KE (B1-B3)**  
***Eastern King Storage Bed***

REVISION 0: 12/30/2014  
REVISION 1: 03/19/2015  
REVISION 2: 10/16/2017  
REVISION 3: 08/23/2018  
REVISION 4: 01/03/2020  
REVISION 5: 05/25/2022

COASTERFURNITURE.COM

# ITEM: 203891KE (B1-B3)

## ASSEMBLY INSTRUCTIONS



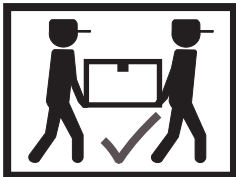
### ASSEMBLY TIPS:

- 1 . Remove hardware from box and sort by size.
- 2 . Please check to see that all hardware and parts are present prior to start of assembly.
- 3 . Please follow attached instructions in the same sequence as numbered to assure fast & easy assembly.



### WARNING!

- 1 . Don't attempt to repair or modify parts that are broken or defective. Please contact the store immediately.
- 2 . This product is for home use only and not intended for commercial establishments.



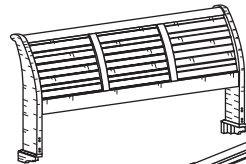
ASSEMBLY TIME

20 MINUTES

## PARTS IDENTIFICATION

### B1 (BOX 1)

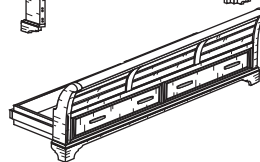
A HEADBOARD



1PC

### B2 (BOX 2)

B STORAGE FOOTBOARD



1PC

I FOOTBOARD SUPPORT LEG WITH LEVELER



2PCS

### B3 (BOX 3)

C BED RAIL



2PCS

D ROLL SLAT (6PCS)



2SETS

E CENTER RAIL



1PC

F CENTER RAIL SUPPORT WITH LEVELER



4PCS

G BED SLAT SUPPORT WITH LEVELER



8PCS

H SHORT CENTER RAIL SUPPORT



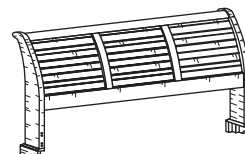
1PC

J CONCEAL PANEL



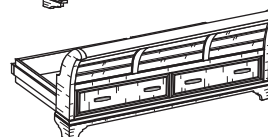
2PCS

A 203891E (B1) FROM BOX 1 HEADBOARD



1PC

FB 203891KE (B2) FROM BOX 2 STORAGE FOOTBOARD COMPLETE



1PC

# ITEM: 203891KE (B1-B3)

## ASSEMBLY INSTRUCTIONS



### ASSEMBLY TIPS:

- 1 . Remove hardware from box and sort by size.
- 2 . Please check to see that all hardware and parts are present prior to start of assembly.
- 3 . Please follow attached instructions in the same sequence as numbered to assure fast & easy assembly.


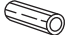













### WARNING!

- 1 . Don't attempt to repair or modify parts that are broken or defective. Please contact the store immediately.
- 2 . This product is for home use only and not intended for commercial establishments.

## HARDWARE IDENTIFICATION

### Z-B3 (BOX 3) - HARDWARE PACK IS LOCATED IN 203891KE (B3)

|    |   |   |       |
|----|---|---|-------|
| 1  | <b>THREADED BOLT</b><br>(M6 x 70mm - RBW)         |    | 8PCS  |
| 2  | <b>WOOD DOWEL</b><br>(Ø 10 x 30mm)                |    | 8PCS  |
| 3  | <b>HALF ROUND NUT</b><br>(7 x 15mm- BLK)          |    | 8PCS  |
| 4  | <b>SMALL FLAT WASHER</b><br>(M6 x 13mm - RBW)     |   | 8PCS  |
| 5  | <b>HEX NUT</b><br>(M6 x 10mm - RBW)               |  | 8PCS  |
| 6  | <b>WRENCH</b><br>(10 x 85mm - RBW)                |  | 1PC   |
| 7  | <b>LONG FLAT HEAD SCREW</b><br>(M4 x 30mm - BLK)  |  | 24PCS |
| 8  | <b>SHORT FLAT HEAD SCREW</b><br>(M4 x 16mm - RBW) |  | 8PCS  |
| 9  | <b>LONG BOLT</b><br>(M6 x 60mm - RBW)             |  | 4PCS  |
| 10 | <b>SHORT BOLT</b><br>(M6 x 40mm - RBW)            |  | 2PCS  |
| 11 | <b>ALLEN WRENCH</b><br>(M4 x 58mm- BLK)           |   | 1PC   |
| 12 | <b>BIG FLAT WASHER</b><br>(M6 x 19mm - RBW)       |  | 2PCS  |
| 13 | <b>LOCK WASHER</b><br>(M6 x 13mm - RBW)           |  | 2PCS  |

### NOTE :

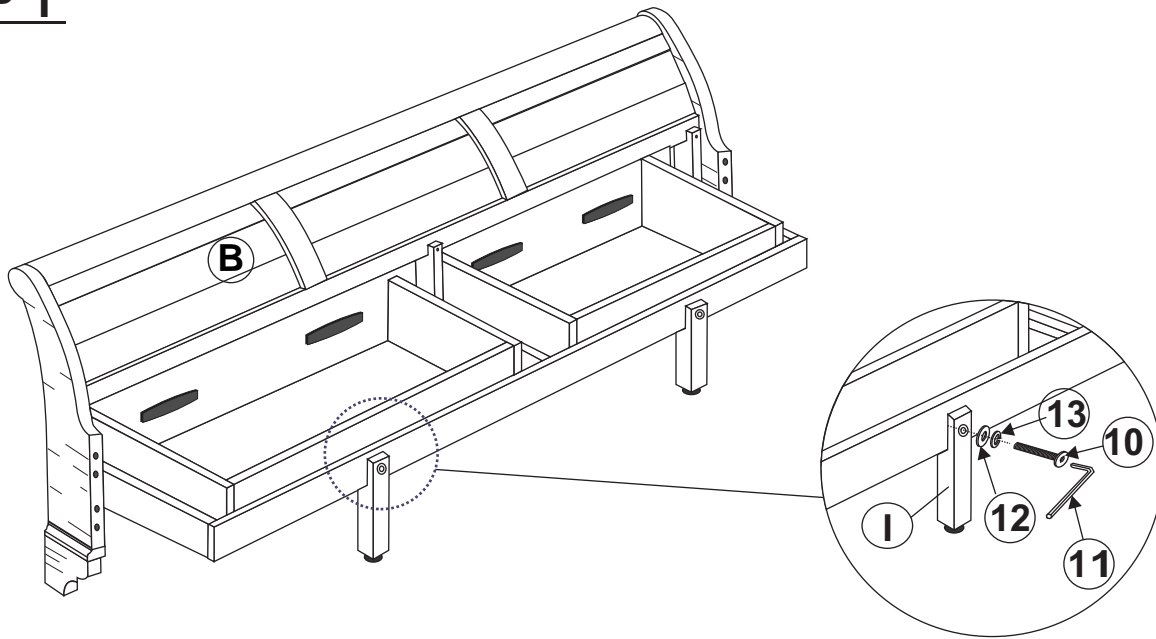
Phillips head screw driver is required in the assembly process; however, manufacturer does not provide this item.

# ITEM: 203891KE (B1-B3)

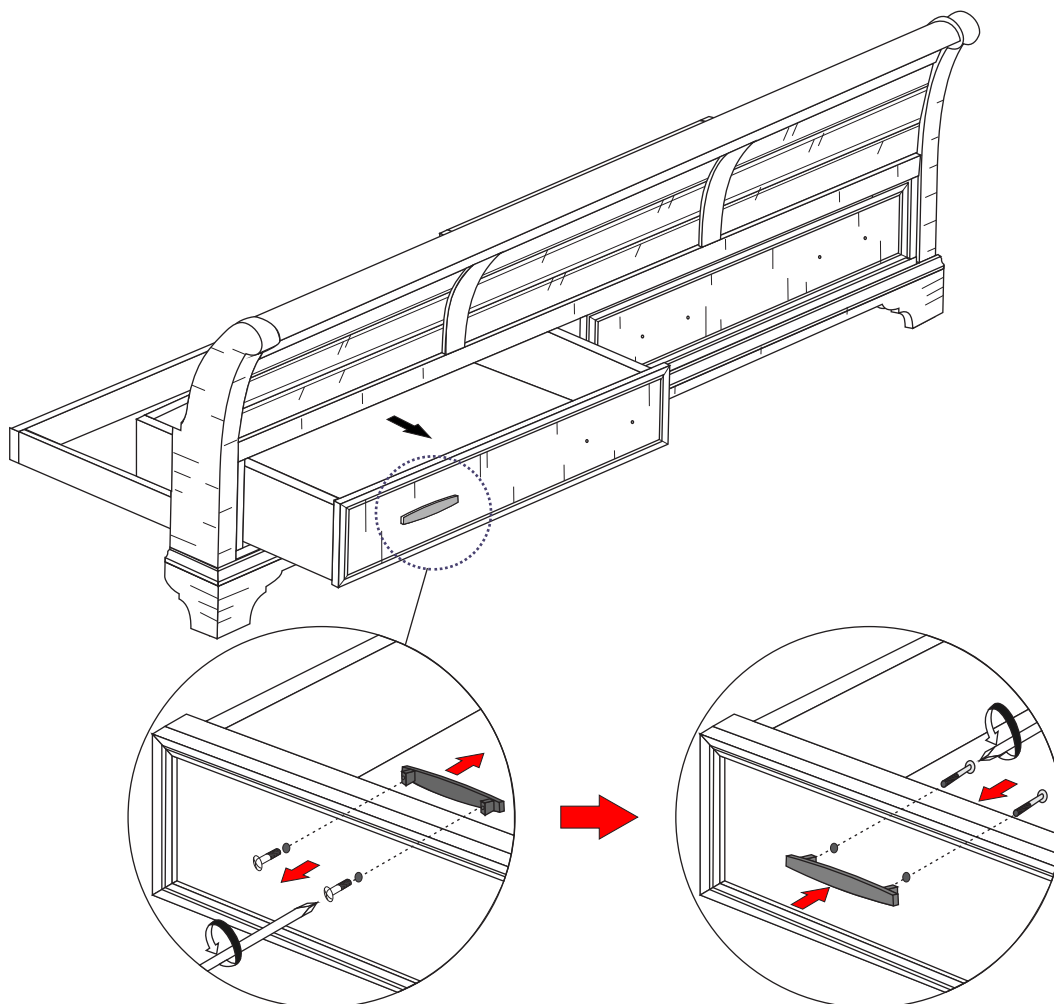
## ASSEMBLY INSTRUCTIONS



### STEP 1



### STEP 2

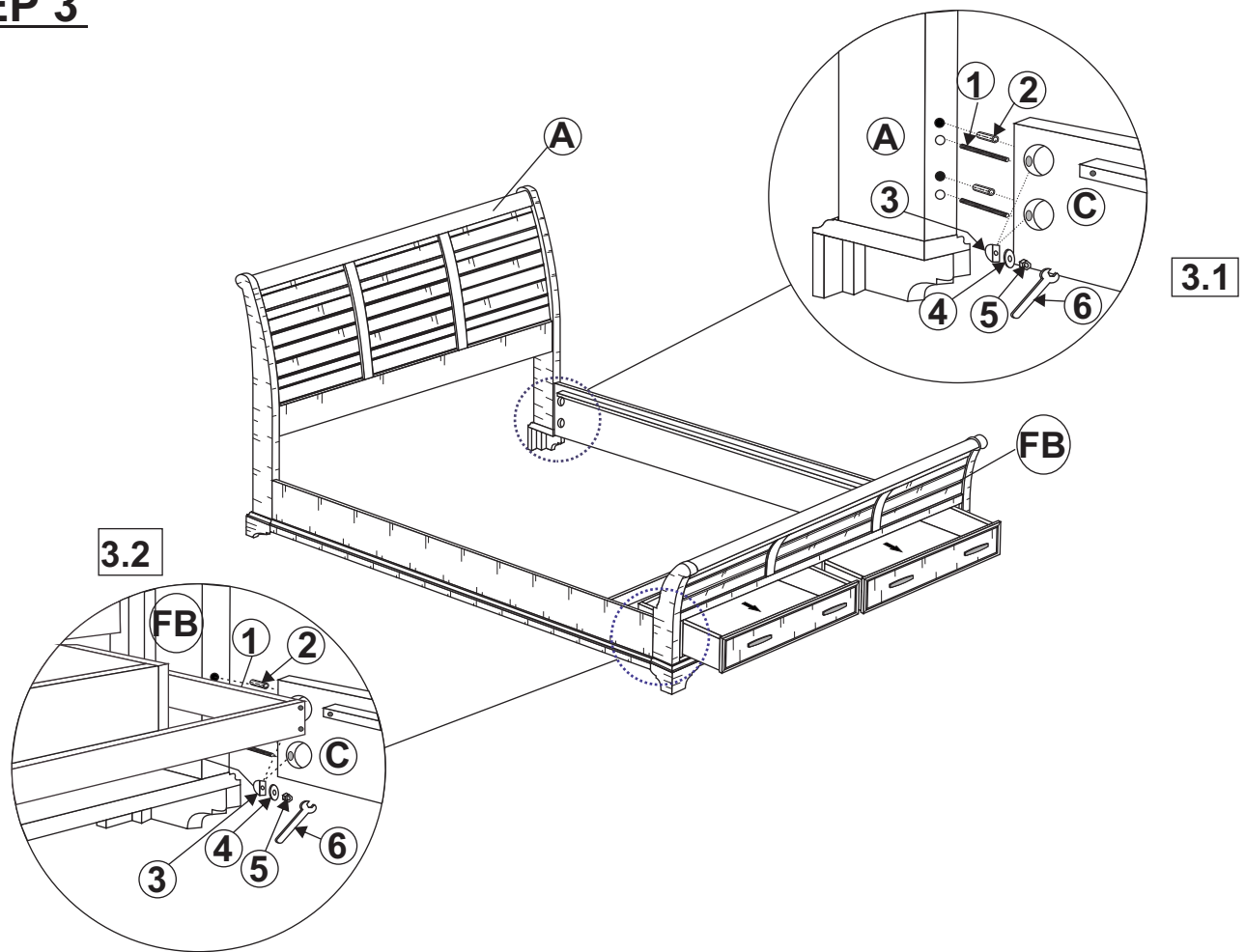


# ITEM: 203891KE (B1-B3)

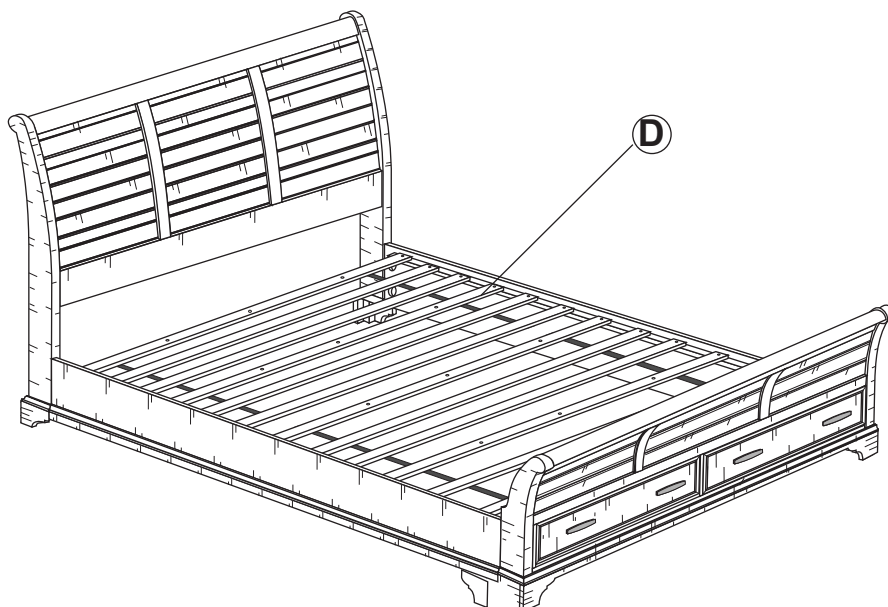
## ASSEMBLY INSTRUCTIONS



### STEP 3



### STEP 4

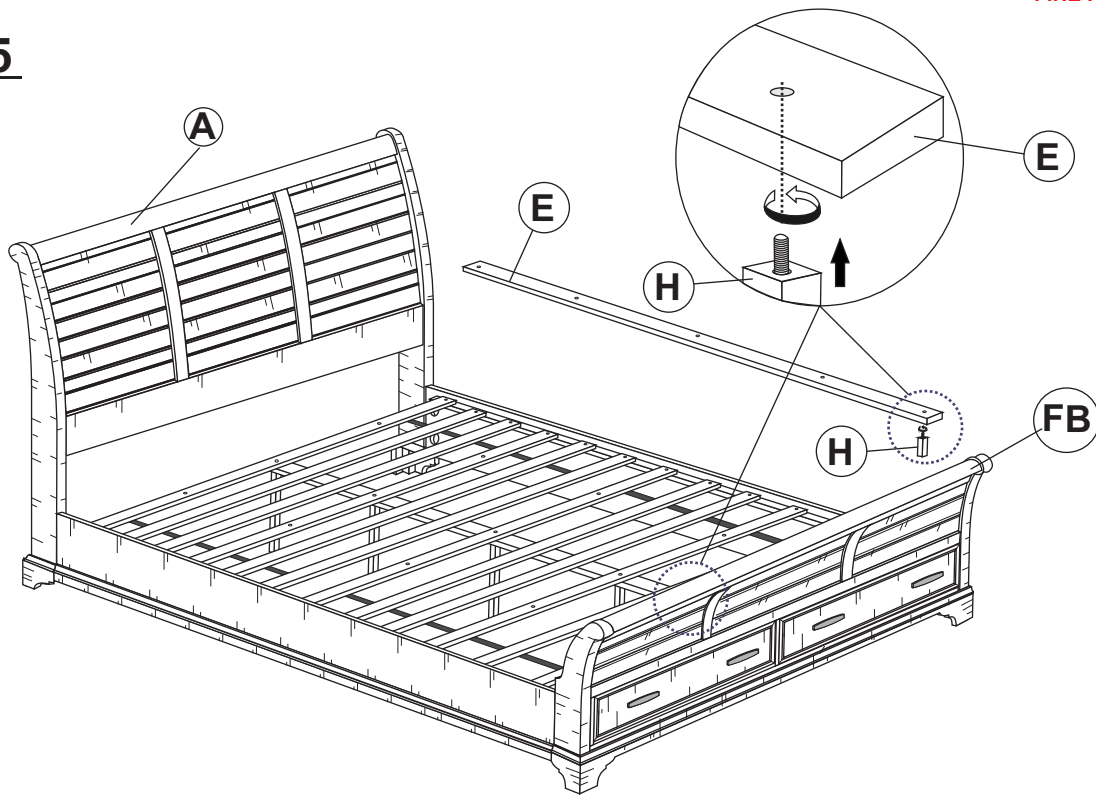


# ITEM: 203891KE (B1-B3)

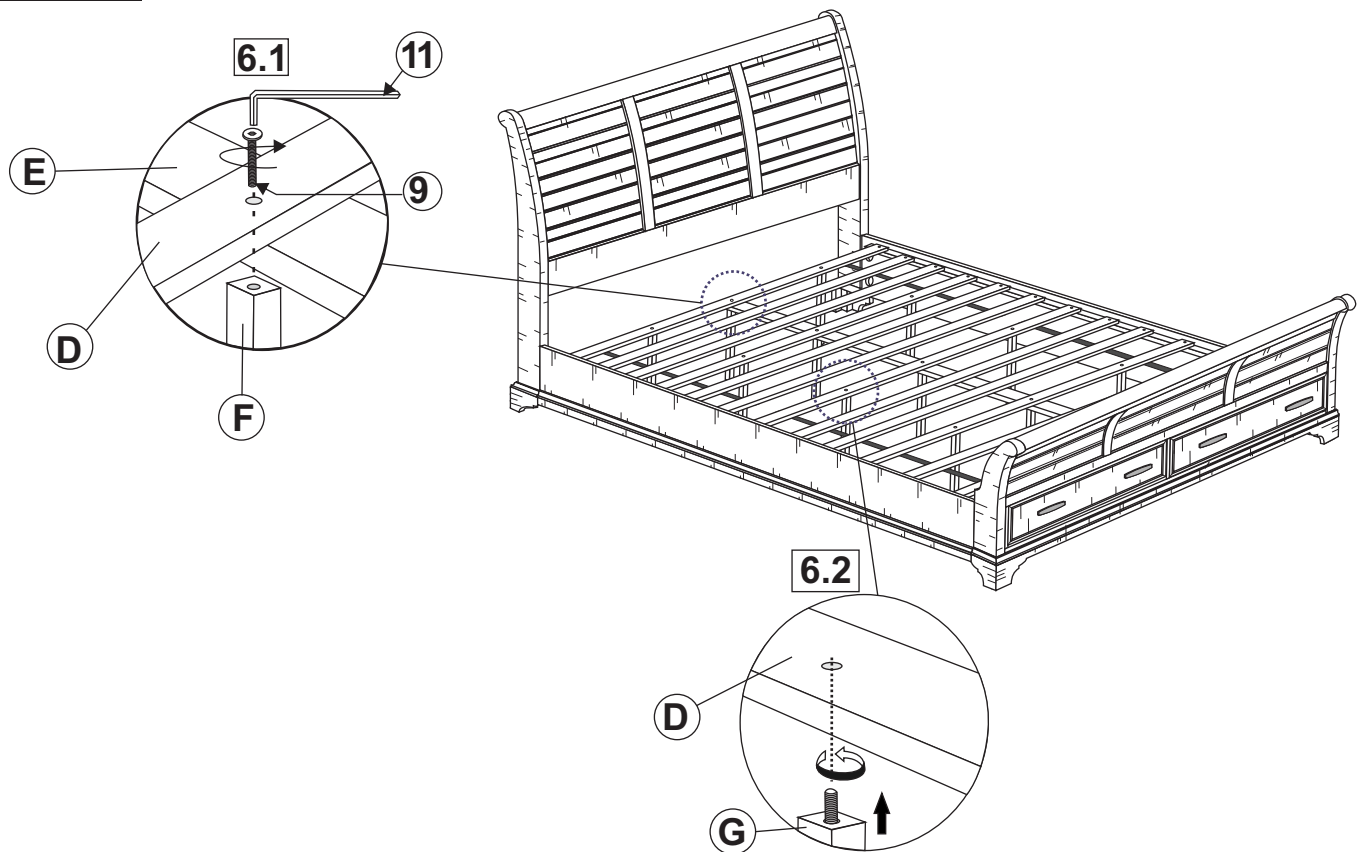
## ASSEMBLY INSTRUCTIONS



### STEP 5



### STEP 6

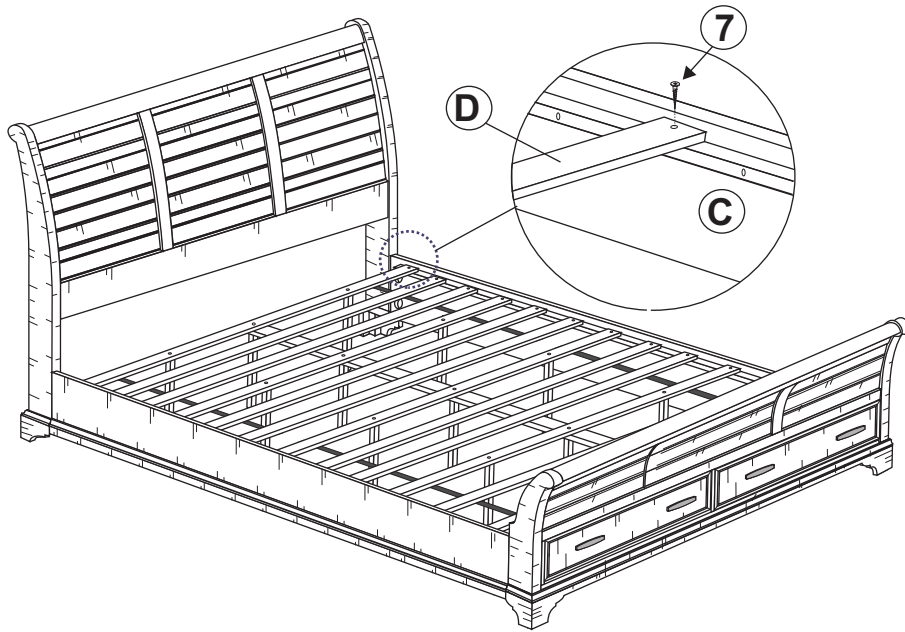


# ITEM: 203891KE (B1-B3)

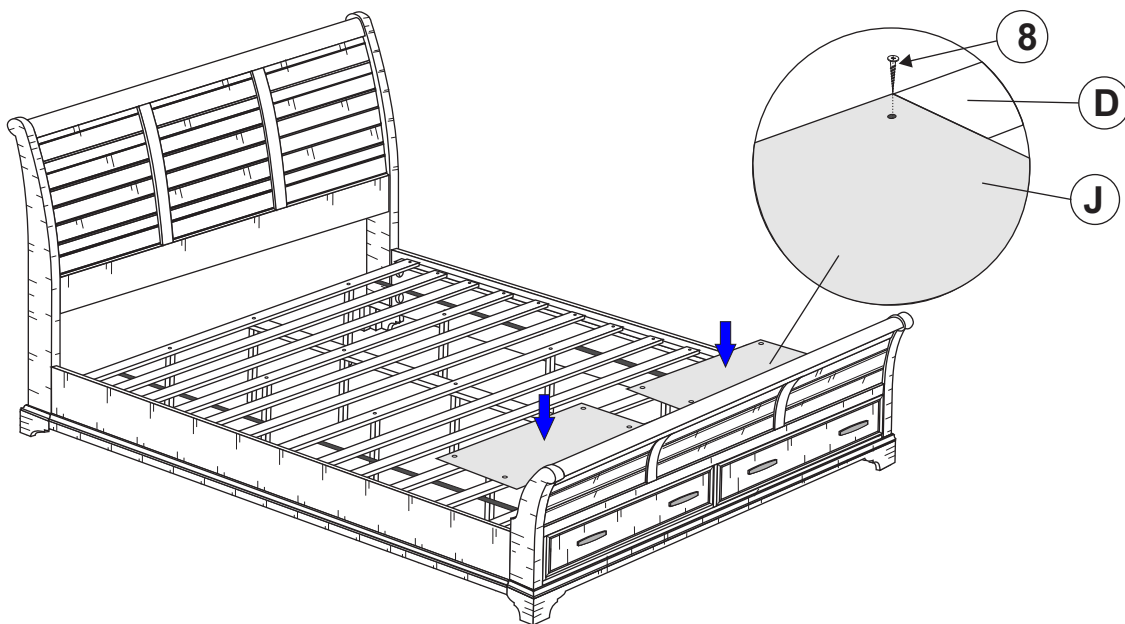
## ASSEMBLY INSTRUCTIONS



### STEP 7



### STEP 8



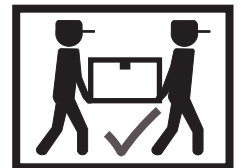
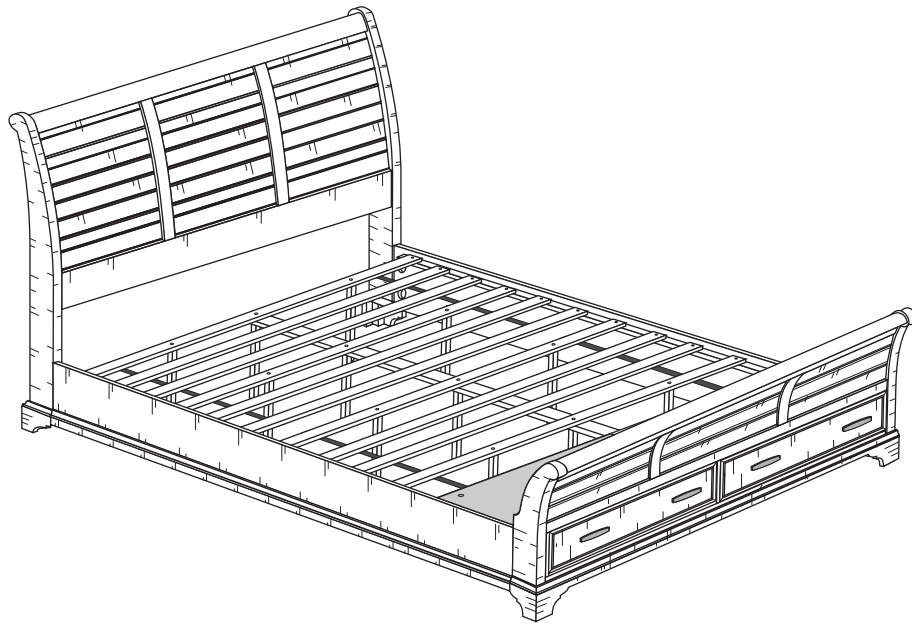
ITEM: **203891KE (B1-B3)**

**ASSEMBLY INSTRUCTIONS**



**STEP 9**

**COMPLETE**

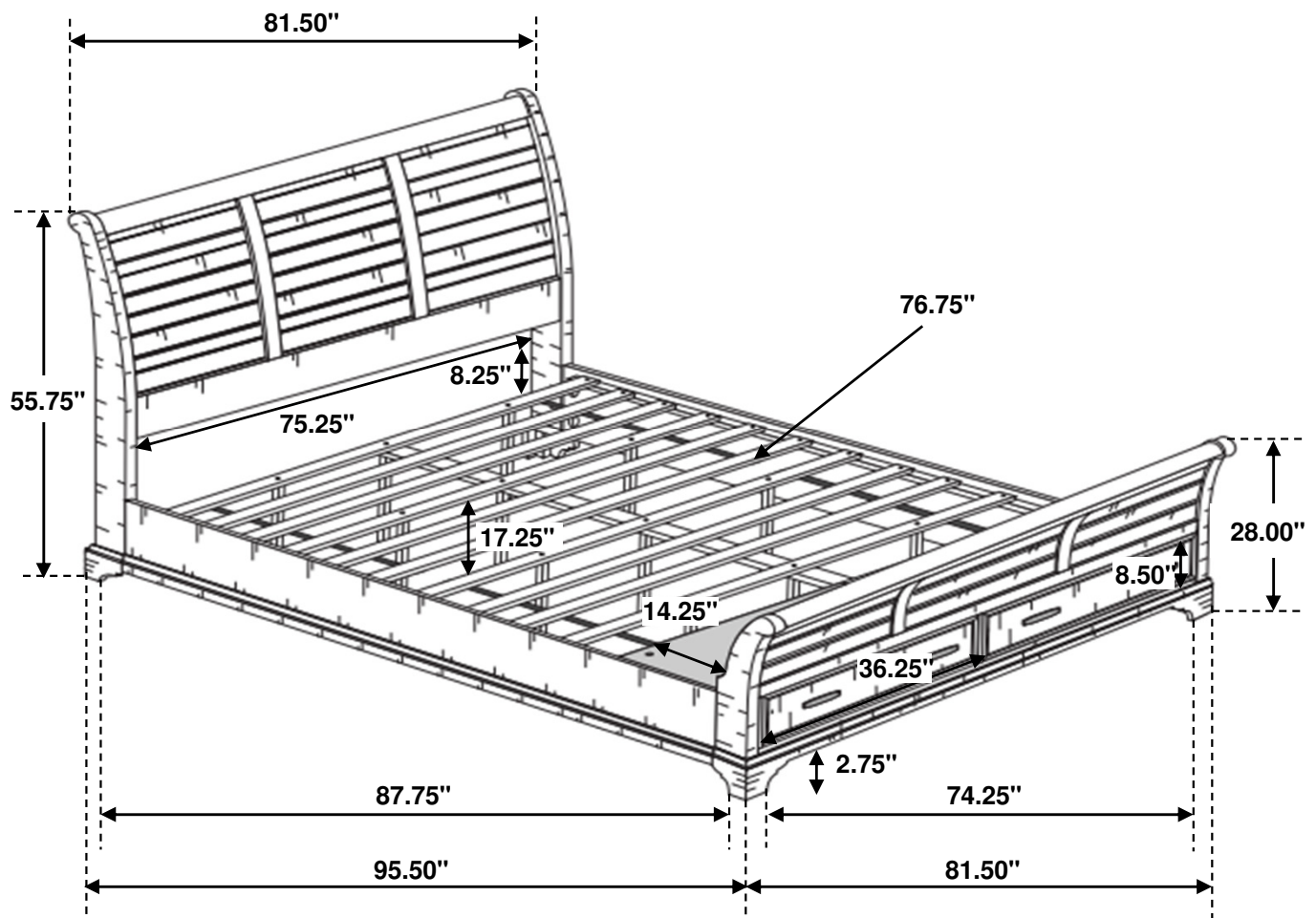


# ITEM: 203891KE (B1-B3)



Inner Size : 77.00"W X 81.00"D

Inner Size of Drawer : 33.25"W X 14.50"D X 6.50"H X 0.50"T



Note : Dimension tolerance  $\pm 5\%$