

ASSEMBLY INSTRUCTIONS
COASTER FINE FURNITURE



Fine Furniture for every stage of life

206101Q (B1-B3)
Queen Bed

ITEM: 206101Q (B1-B3)



ASSEMBLY INSTRUCTIONS

ASSEMBLY TIPS:

1. Remove hardware from box and sort by size.
2. Please check to see that all hardware and parts are present prior to start of assembly.
3. Please follow attached instructions in the same sequence as numbered to assure fast & easy assembly.



WARNING!

1. Don't attempt to repair or modify parts that are broken or defective. Please contact the store immediately.
2. This product is for home use only and not intended for commercial establishments.





ASSEMBLY TIME

40 MINUTES

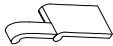

PARTS IDENTIFICATION

B1 (BOX 1)

A	HEADBOARD		1PC
B	HEADBOARD SUPPORT LEG		2PCS

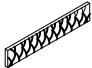
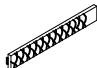



C	HEADBOARD PANEL		1PC
---	-----------------	---	-----






B2 (BOX 2)

D	RIGHT EAR PANEL		1PC
E	LEFT EAR PANEL		1PC

F	EAR PANEL SUPPORT		2PCS
---	-------------------	---	------

B3 (BOX 3)

G	FOOTBOARD		1PC
H	LEFT BED RAIL		1PC
I	RIGHT BED RAIL		1PC
J	BED SLAT		10PCS
K	BED SLAT WITH HOLES		3PCS
L	BED SLAT SUPPORT		6PCS

MV	FOOTBOARD LEG		2PCS
N	CENTER RAIL		2PCS
O	CENTER RAIL SUPPORT		2PCS
HB	206101Q (B1) FROM BOX 1 HEADBOARD COMPLETE		1PC
ER	206101Q (B2) FROM BOX 2 LEFT AND RIGHT EAR PANEL COMPLETE		2PCS

NOTE:

Phillips head screw driver is required in the assembly process; however, manufacturer does not provide this item.

ITEM: 206101Q (B1-B3)



ASSEMBLY INSTRUCTIONS

ASSEMBLY TIPS:

1. Remove hardware from box and sort by size.
2. Please check to see that all hardware and parts are present prior to start of assembly.
3. Please follow attached instructions in the same sequence as numbered to assure fast & easy assembly.















WARNING!

1. Don't attempt to repair or modify parts that are broken or defective. Please contact the store immediately.
2. This product is for home use only and not intended for commercial establishments.

HARDWARE IDENTIFICATION

Z-B3 (BOX 3) - HARDWARE PACK IS LOCATED IN 206101Q (B3)

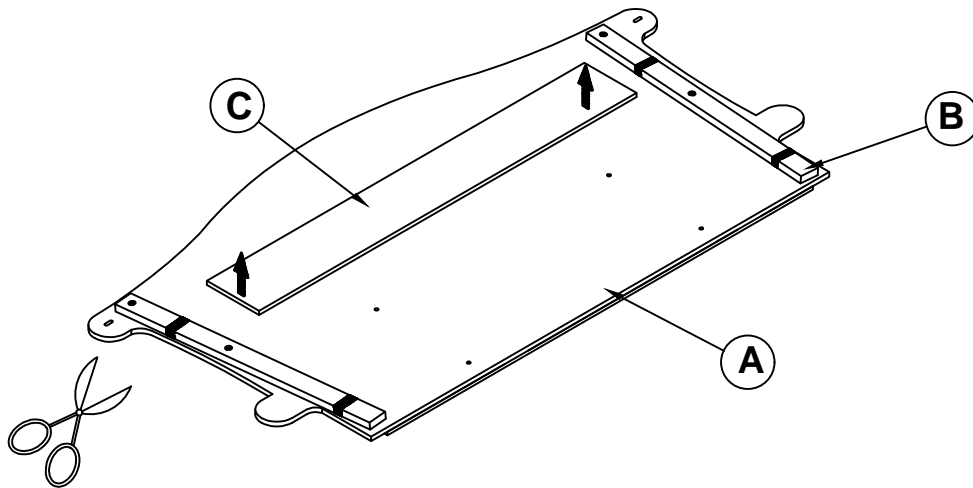
1	ALLEN WRENCH (4MM - RBW)		1PC	7	MEDIUM PAN HEAD SCREW (#4 x 25mm - RBW)		4PCS
2	BOLT 1 (Ø1/4" x 30mm - RBW)		4PCS	8	LONG PAN HEAD SCREW (#4 x 38mm - RBW)		32PCS
3	BOLT 2 (Ø1/4" x 38mm - RBW)		10PCS	9	BIG FLAT WASHER (Ø1/4" X 25 X 1.5mm - RBW)		22PCS
4	BOLT 3 (Ø1/4" x 60mm - RBW)		10PCS	10	SMALL FLAT WASHER (Ø1/4" X 19 X 1.5mm - RBW)		22PCS
5	BOLT 4 (Ø1/4" x 90mm - RBW)		8PCS	11	LOCK WASHER (Ø1/4" - RBW)		22PCS
6	SHORT PAN HEAD SCREW (#4 x 20mm - RBW)		4PCS	12	LEVELER (Ø1/4" X 25mm - BLK)		6PCS

NOTE:

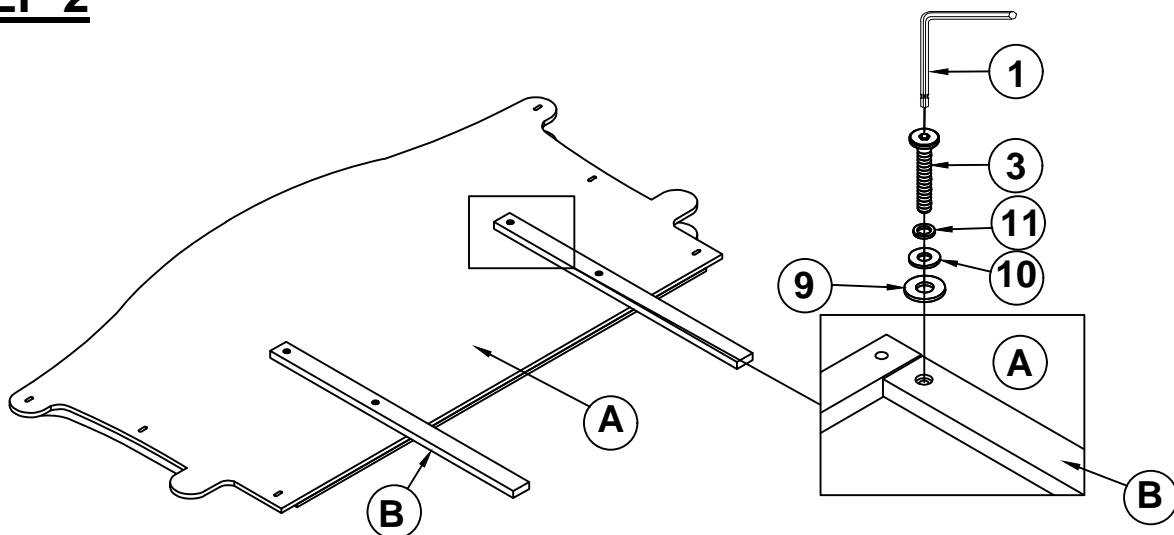
Phillips head screw driver is required in the assembly process; however, manufacturer does not provide this item.

ASSEMBLY INSTRUCTIONS

STEP 1

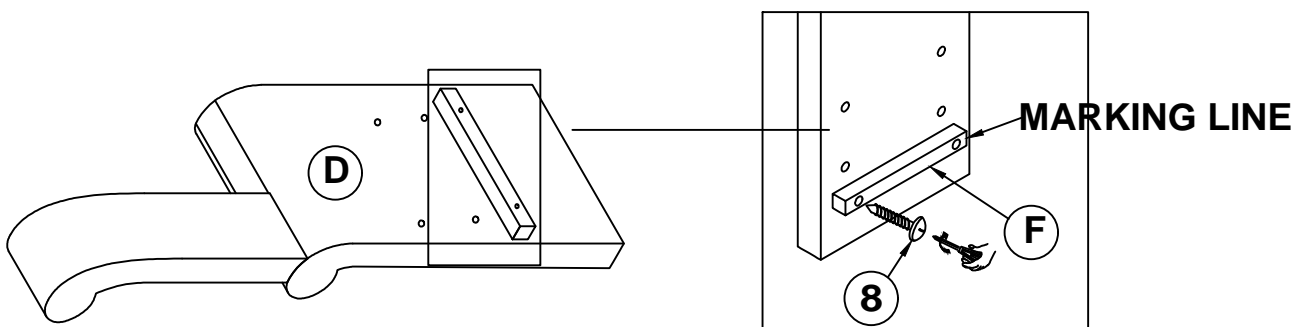


STEP 2



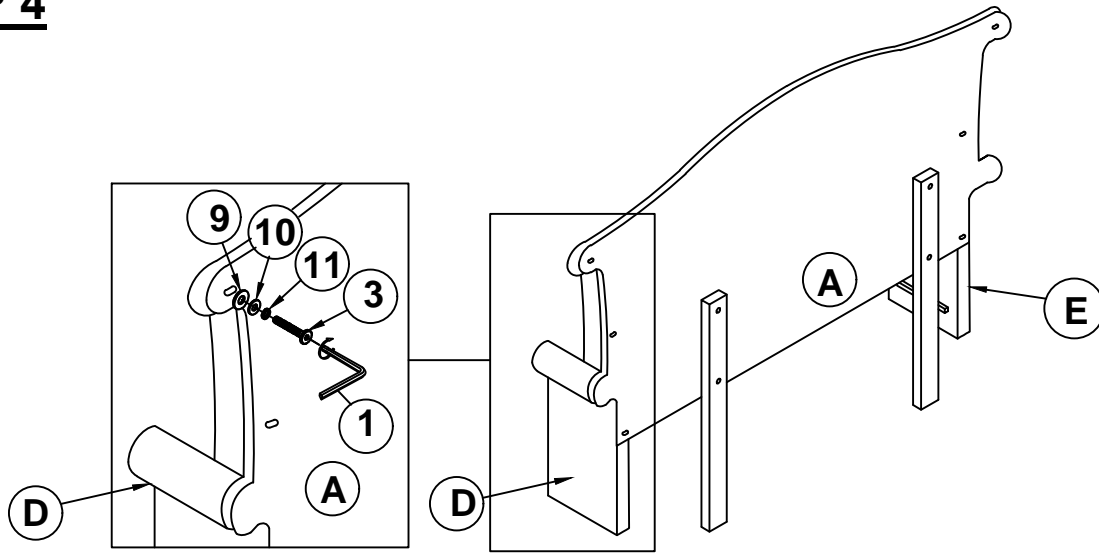
STEP 3

NOTE : THE EAR PANELSUPPORTS ARE TO LIFT UP THE BED RAILS

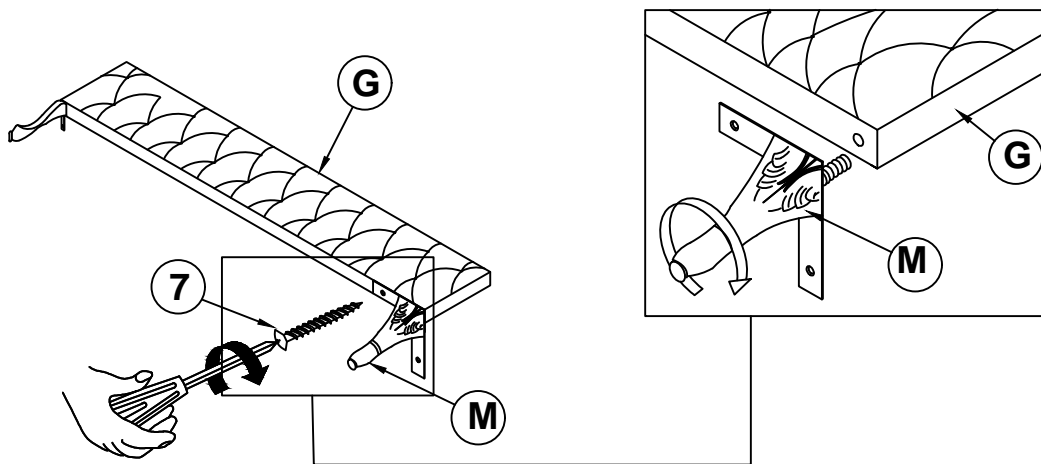


ASSEMBLY INSTRUCTIONS

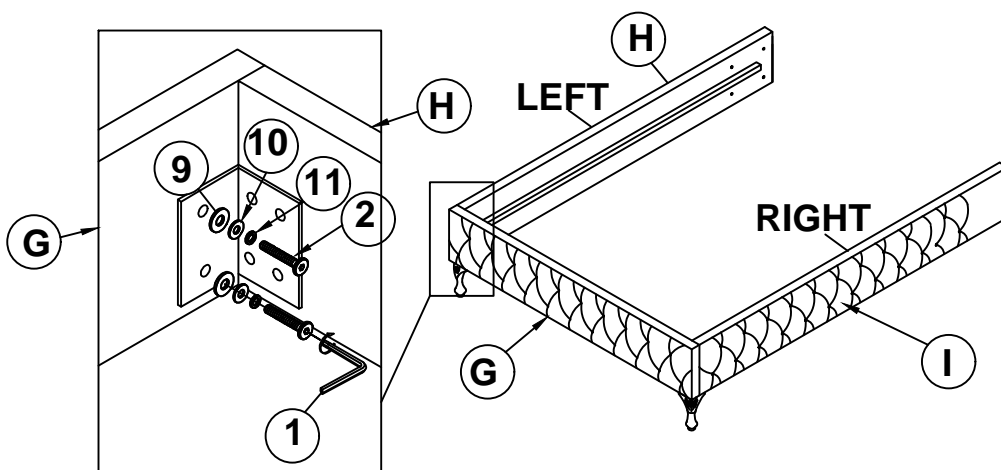
STEP 4



STEP 5

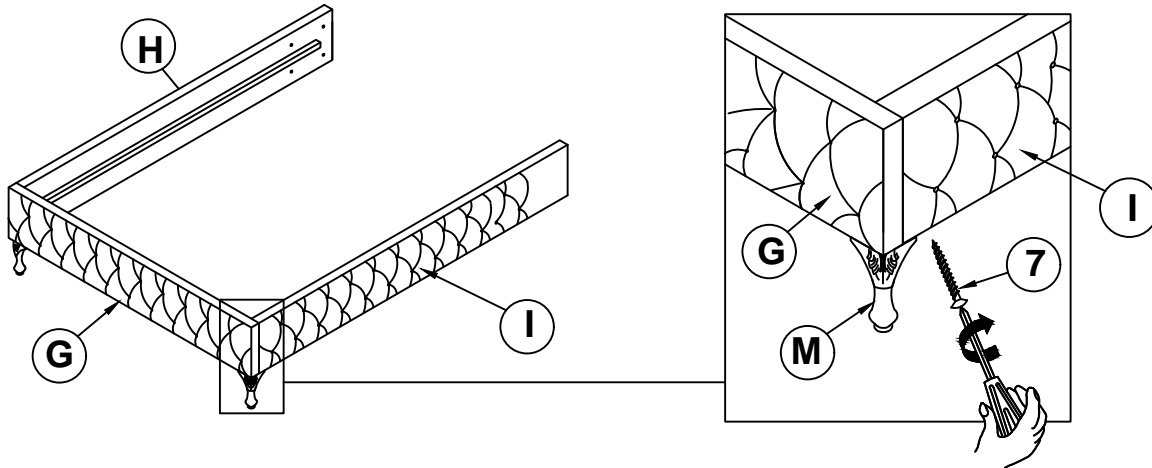


STEP 6

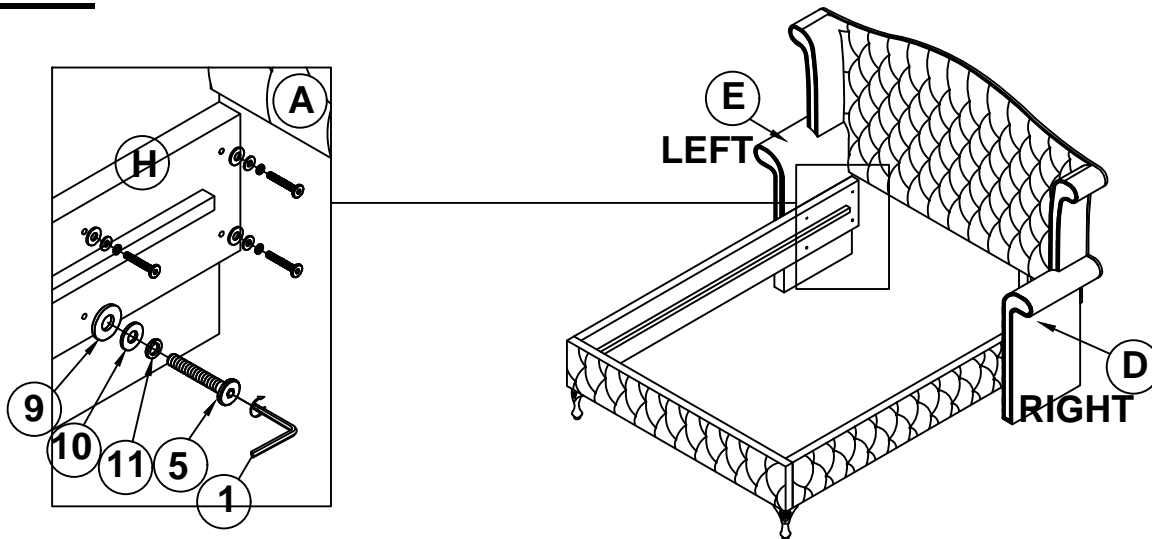


ASSEMBLY INSTRUCTIONS

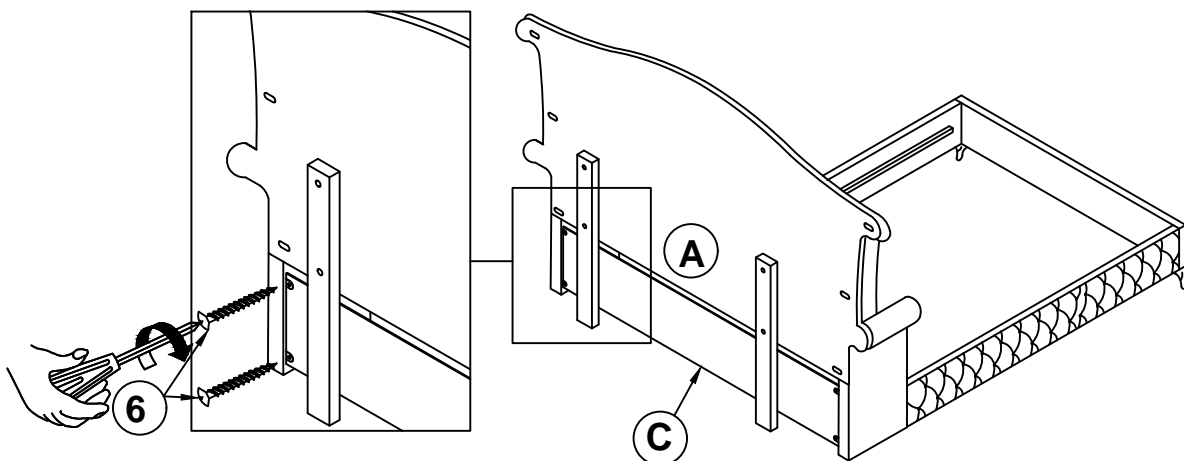
STEP 7



STEP 8

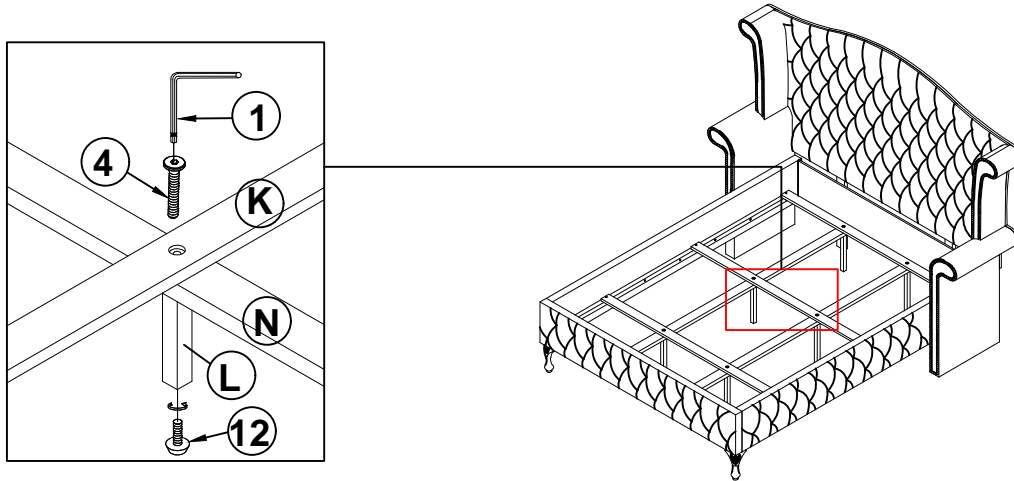


STEP 9

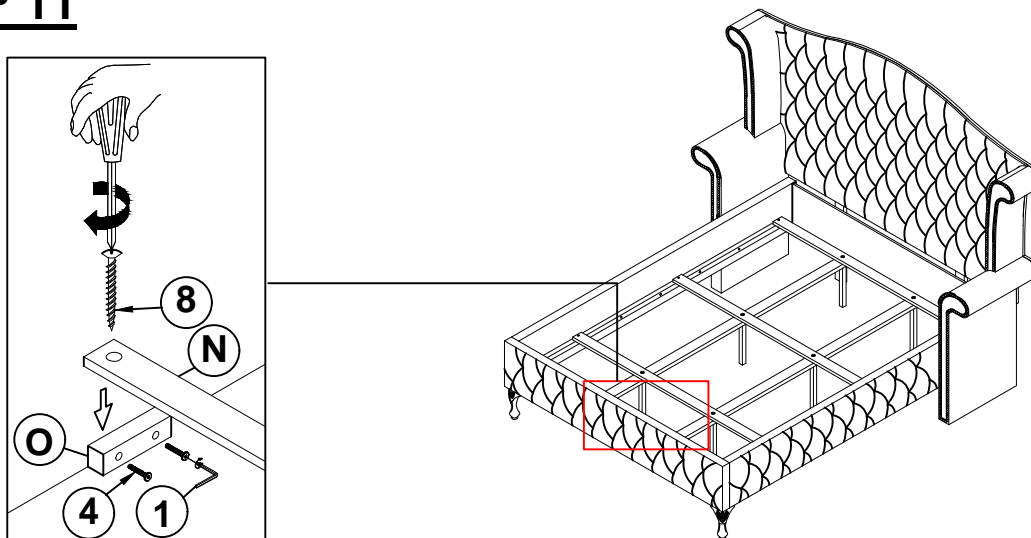


ASSEMBLY INSTRUCTIONS

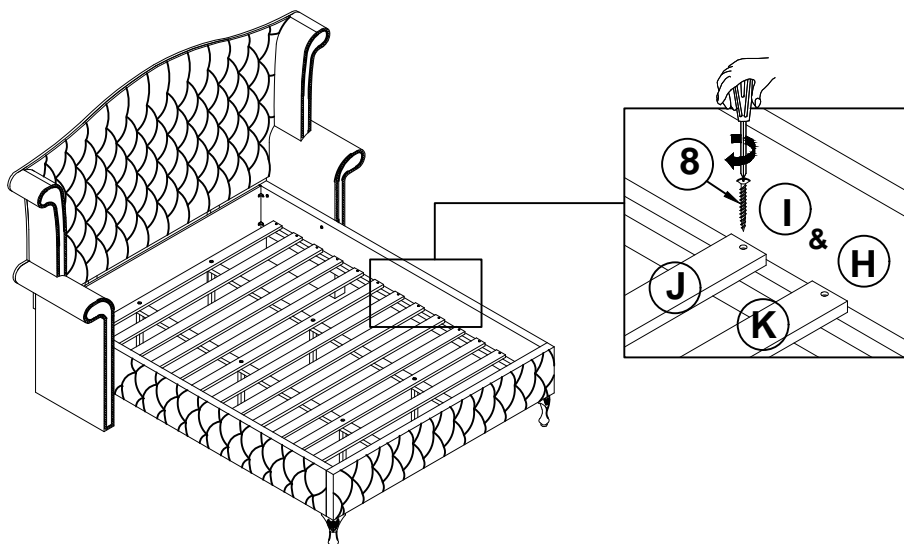
STEP 10



STEP 11



STEP 12



ITEM: **206101Q (B1-B3)**



ASSEMBLY INSTRUCTIONS

STEP 13

COMPLETE

