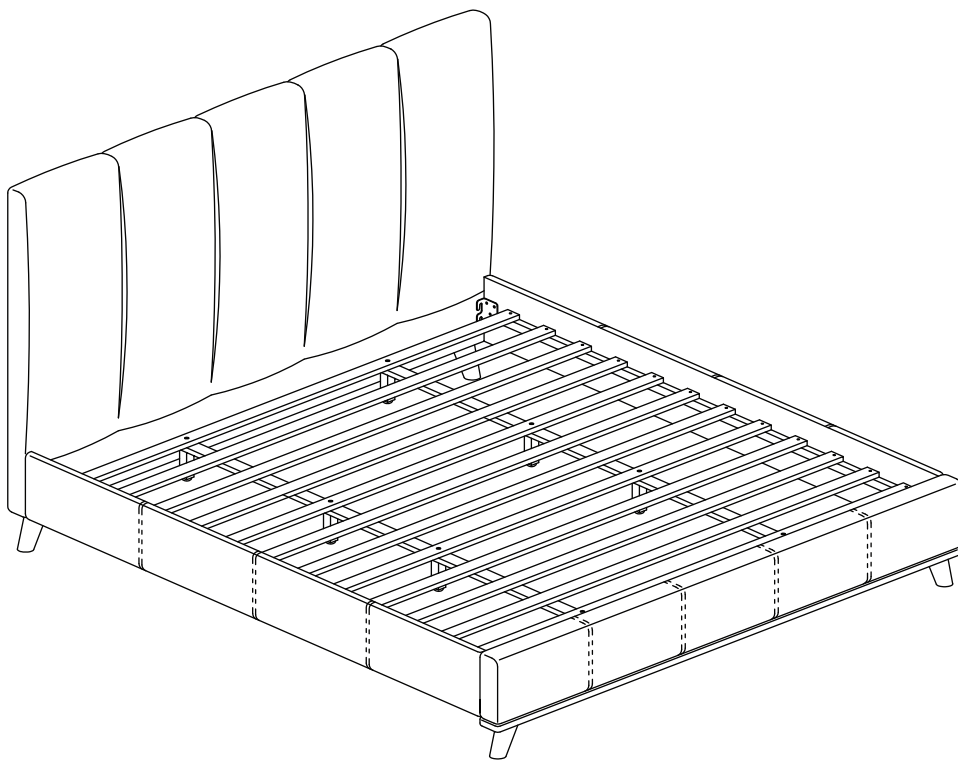


**ASSEMBLY INSTRUCTIONS**  
**COASTER FINE FURNITURE**



*Fine Furniture for every stage of life*

**300626KE (B1-B3)**  
***Eastern King Bed***

# ITEM: 300626KE (B1-B3)



## ASSEMBLY INSTRUCTIONS

### ASSEMBLY TIPS:

1. Remove hardware from box and sort by size.
2. Please check to see that all hardware and parts are present prior to start of assembly.
3. Please follow attached instructions in the same sequence as numbered to assure fast & easy assembly.



### WARNING!

1. Don't attempt to repair or modify parts that are broken or defective. Please contact the store immediately.
2. This product is for home use only and not intended for commercial establishments.



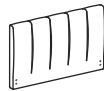
ASSEMBLY TIME

30 MINUTES

## PARTS IDENTIFICATION

### B1 (BOX 1)

A HEADBOARD PANEL



1PC

B BED SLAT WITH HOLES



4PCS

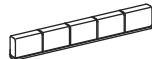
C BED SLAT WITHOUT HOLES



8PCS

### B2 (BOX 2)

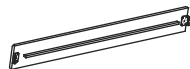
D FOOTBOARD PANEL



1PC

### B3 (BOX 3)

E BED RAIL



2PCS

F HEADBOARD LEG



2PCS

G FOOTBOARD LEG



2PCS

H CENTER RAIL



2PCS

I CENTER RAIL SUPPORT WITH LEVELER



8PCS

### NOTE:

Phillips head screw driver is required in the assembly process; however, manufacturer does not provided this item.

# ITEM: 300626KE (B1-B3)

## ASSEMBLY TIPS:

1. Remove hardware from box and sort by size.
2. Please check to see that all hardware and parts are present prior to start of assembly.
3. Please follow attached instructions in the same sequence as numbered to assure fast & easy assembly.

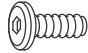
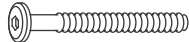
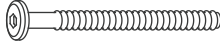

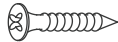




## WARNING!

1. Don't attempt to repair or modify parts that are broken or defective. Please contact the store immediately.
2. This product is for home use only and not intended for commercial establishments.

## HARDWARE IDENTIFICATION

### Z-B3 (BOX 3) - HARDWARE PACK IS LOCATED IN 300626KE (B3)

1	<b>SHORT BOLT</b> (M8 x 20MM - RBW)		8PCS
2	<b>MEDIUM BOLT</b> (M6 x 50MM - RBW)		8PCS
3	<b>LONG BOLT</b> (M6 x 60MM - RBW)		4PCS
4	<b>WOOD DOWEL</b> (M8Ø x 30mm)		4PCS
5	<b>FLAT HEAD SCREW</b> (M4 x 32MM - RBW)		24PCS
6	<b>SMALL ALLEN WRENCH</b> (M4 x 100MM - BLK)		1PC
7	<b>BIG ALLEN WRENCH</b> (M5 x 65MM - BLK)		1PC

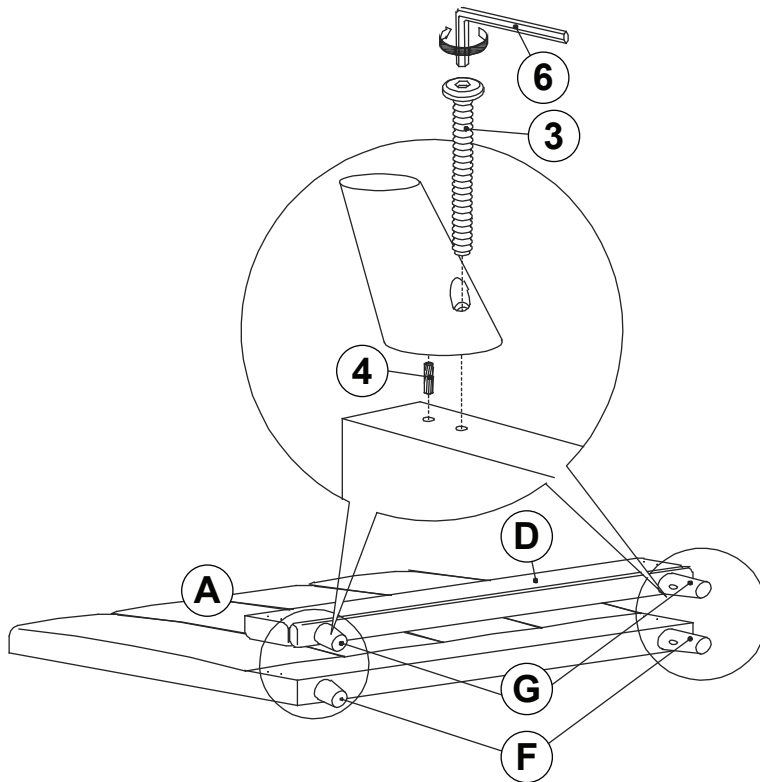
## NOTE:

Phillips head screw driver is required in the assembly process; however, manufacturer does not provided this item.

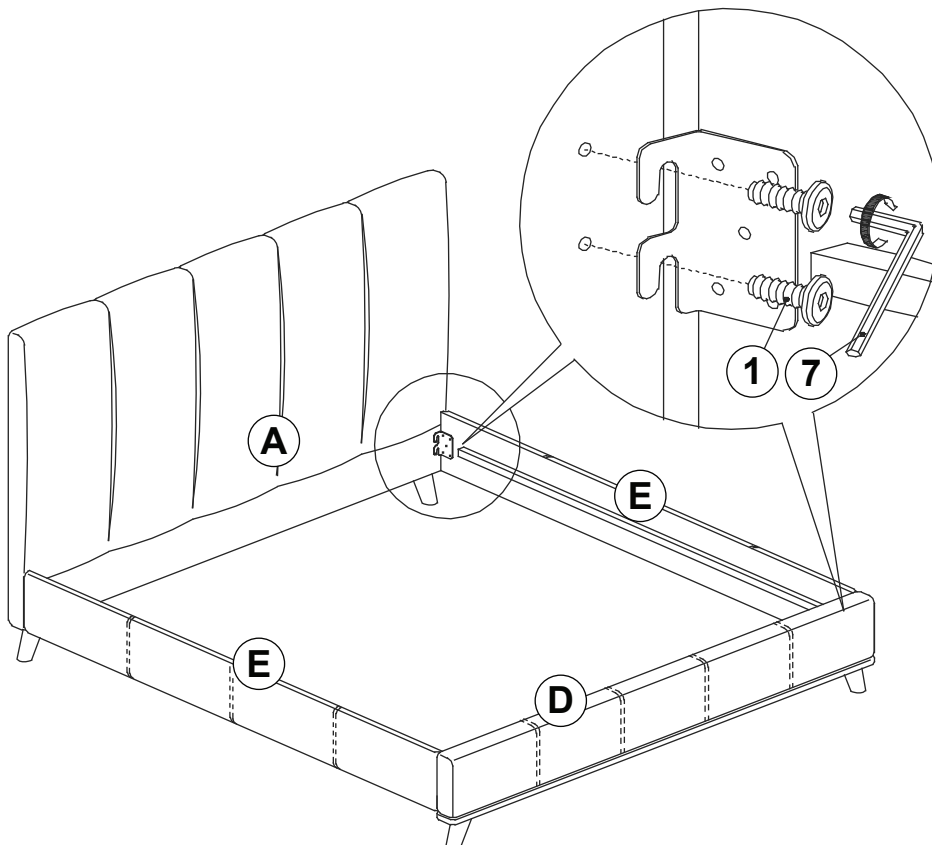
ITEM: **300626KE (B1-B3)**

**ASSEMBLY INSTRUCTIONS**

**STEP 1**



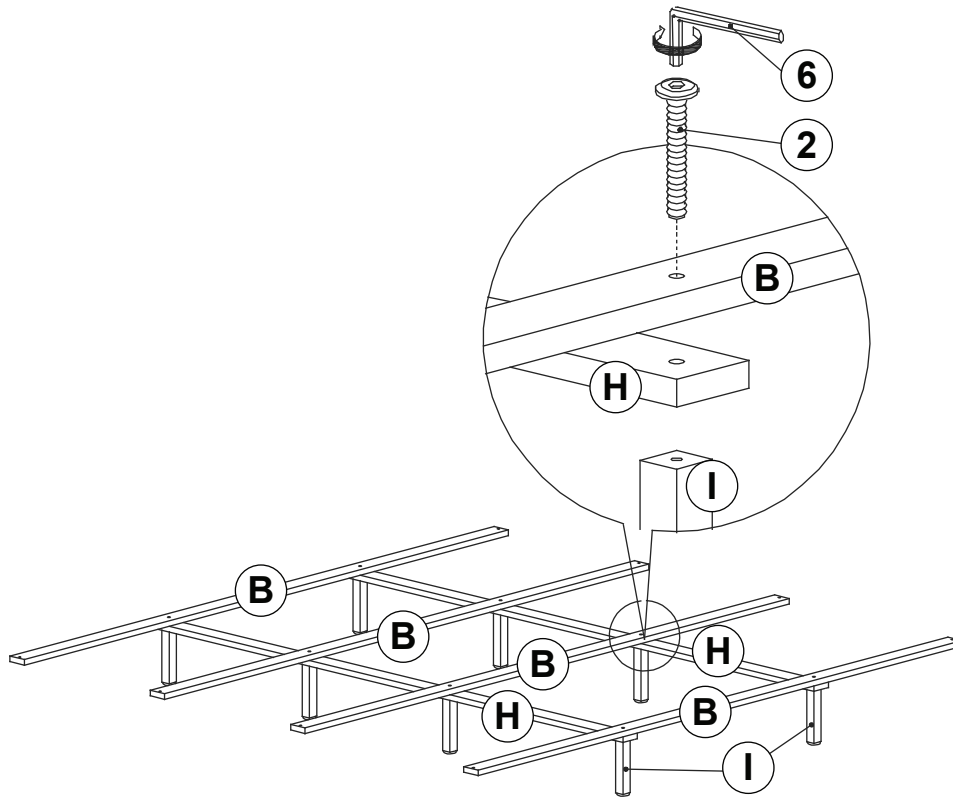
**STEP 2**



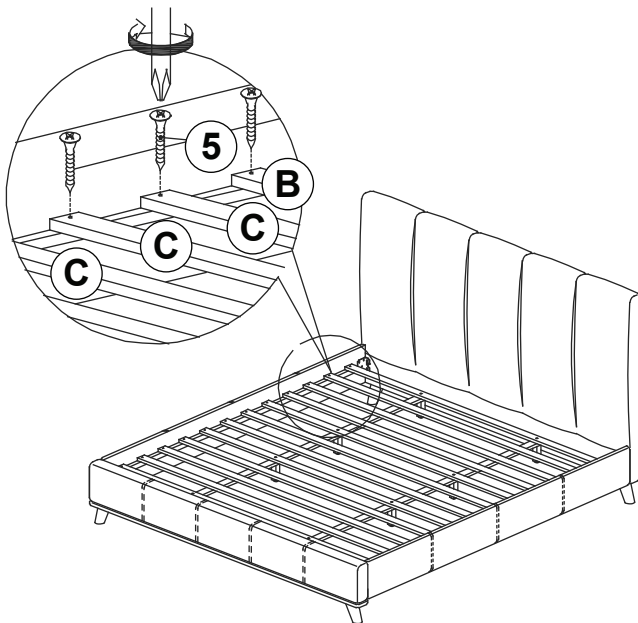
ITEM: **300626KE (B1-B3)**

**ASSEMBLY INSTRUCTIONS**

**STEP 3**

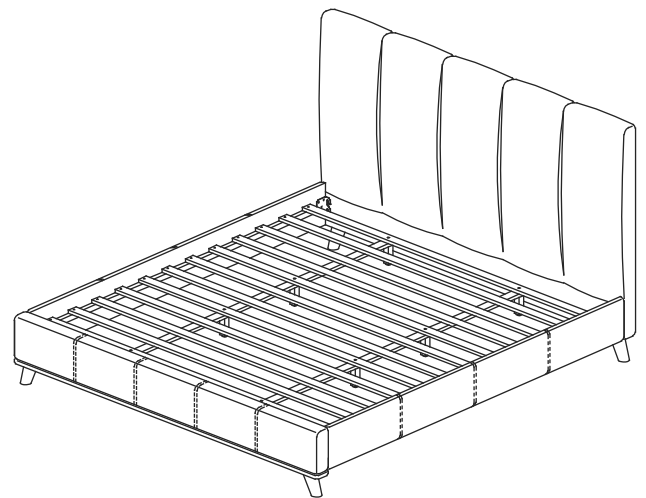


**STEP 4**



**STEP 5**

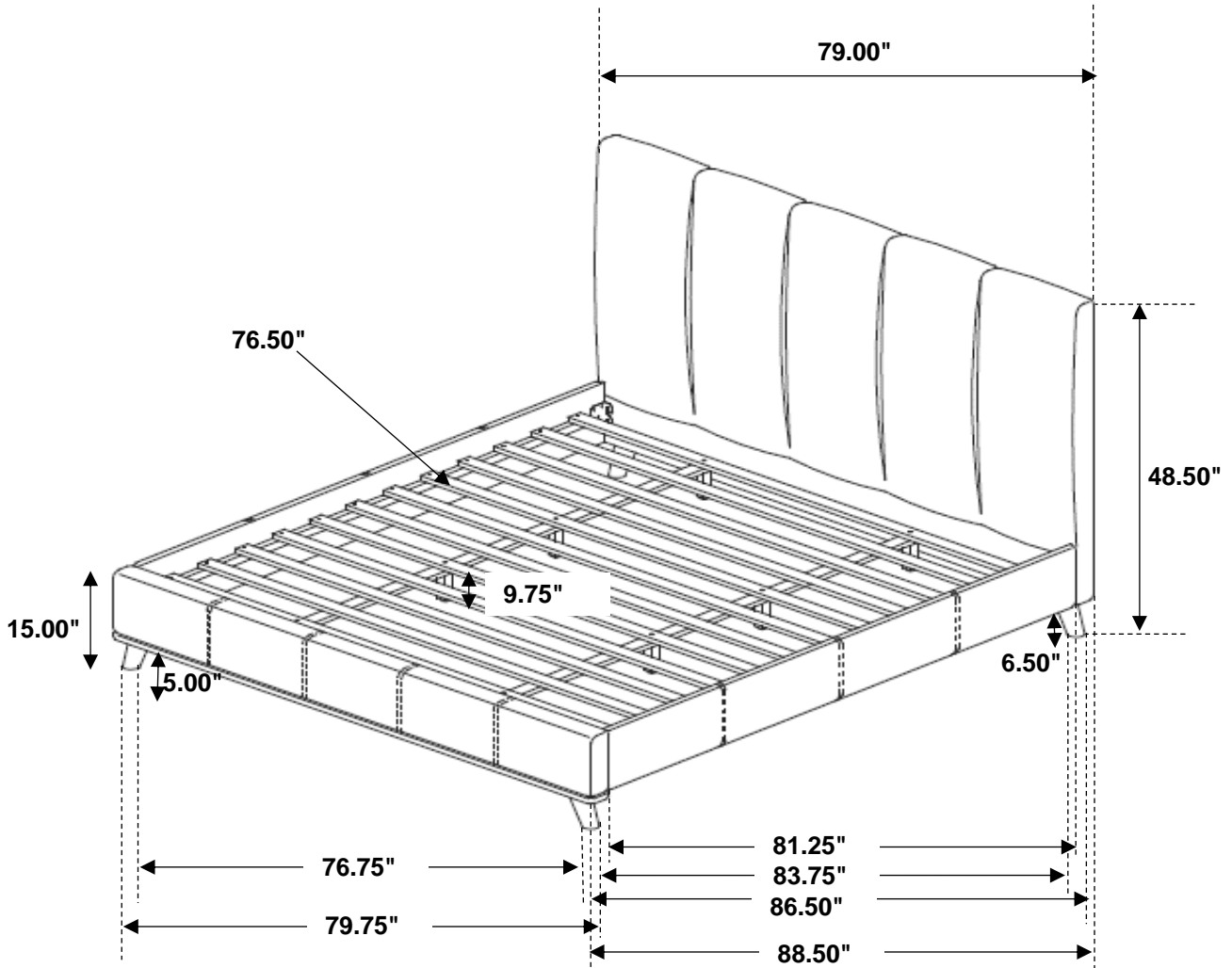
**COMPLETE**



# ITEM: 300626KE (B1-B3)



Inner Size: 76.50"W X 80.25"D



Note: Dimension tolerance  $\pm 5\%$