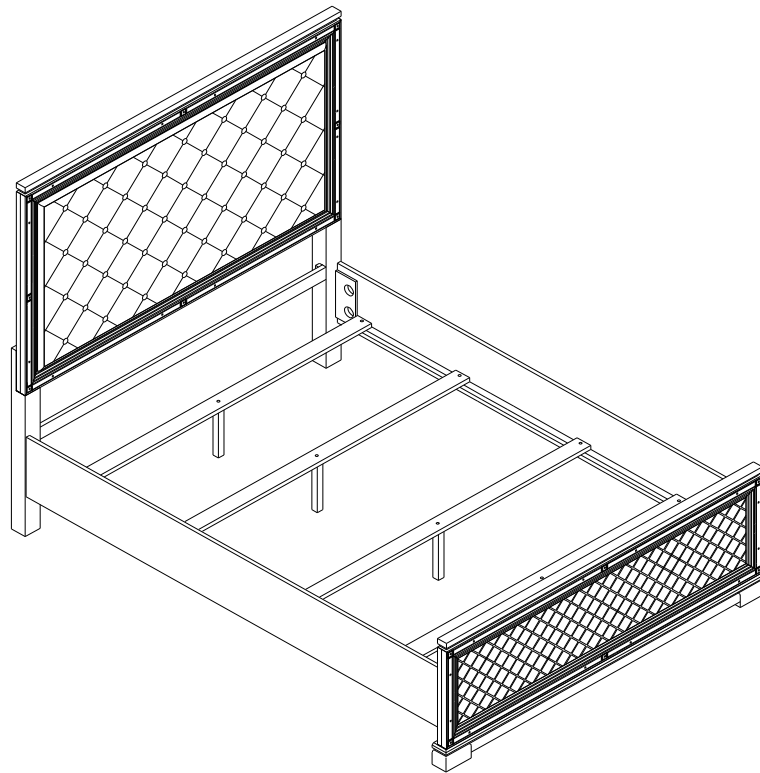


ASSEMBLY INSTRUCTIONS
COASTER FINE FURNITURE



Fine Furniture for every stage of life

223561Q(B1-B3)
Queen Bed

ITEM: 223561Q(B1-B3)



ASSEMBLY INSTRUCTIONS

ASSEMBLY TIPS:

1. Remove hardware from box and sort by size.
2. Please check to see that all hardware and parts are present prior to start of assembly.
3. Please follow attached instructions in the same sequence as numbered to assure fast & easy assembly.



WARNING!

1. Don't attempt to repair or modify parts that are broken or defective. Please contact the store immediately.
2. This product is for home use only and not intended for commercial establishments.



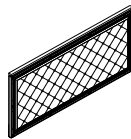
ASSEMBLY TIME

30 MINUTES

PARTS IDENTIFICATION

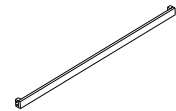
B1 (BOX 1)

A HEADBOARD PANEL



1PC

B HEADBOARD BOTTOM RAIL



1PC

C RIGHT HEADBOARD LEG



1PC

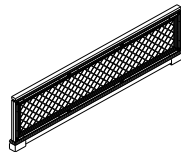
D LEFT HEADBOARD LEG



1PC

B2 (BOX 2)

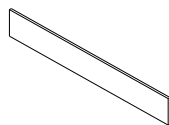
E FOOTBOARD



1PC

B3 (BOX 3)

F BED RAIL



2PCS

G BED SLAT SUPPORT WITH LEVELER



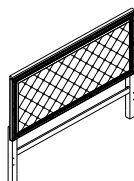
4PCS

H BED SLAT



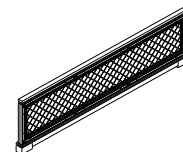
4PCS

HB 223561Q(B1) FROM BOX 1 HEADBOARD COMPLETE



1PC

E 223561Q(B2) FROM BOX 2 FOOTBOARD



1PC

NOTE:

Phillips head screw driver is required in the assembly process; however, manufacturer does not provide this item.

ITEM: 223561Q(B1-B3)



ASSEMBLY INSTRUCTIONS

ASSEMBLY TIPS:

1. Remove hardware from box and sort by size.
2. Please check to see that all hardware and parts are present prior to start of assembly.
3. Please follow attached instructions in the same sequence as numbered to assure fast & easy assembly.





WARNING!




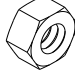



1. Don't attempt to repair or modify parts that are broken or defective. Please contact the store immediately.
2. This product is for home use only and not intended for commercial establishments.

HARDWARE IDENTIFICATION

Z-B1(BOX 1) - HARDWARE PACK IS LOCATED IN 223561Q (B1)

1	BOLT (\varnothing 5/16" x 50MM- RBW)		10PCS	2	LOCK WASHER (\varnothing 5/6" - RBW)		10PCS
3	FLAT WASHER (\varnothing 5/16" - RBW)		10PCS	4	ALLEN WRENCH (4MM - RBW)		1PC

Z-B3(BOX 3) - HARDWARE PACK IS LOCATED IN 223561Q (B3)

5	THREADED BOLT (\varnothing 5/16" x 3-1/2" - RBW)		8PCS	6	HEX NUT (\varnothing 5/16" x 14mm - RBW)		8PCS
7	WRENCH (14MM - RBW)		1PC	8	HALF ROUND NUT (\varnothing 5/16" - RBW)		8PCS
9	FLAT HEAD SCREW (\varnothing 4 x 30mm - RBW)		8PCS				

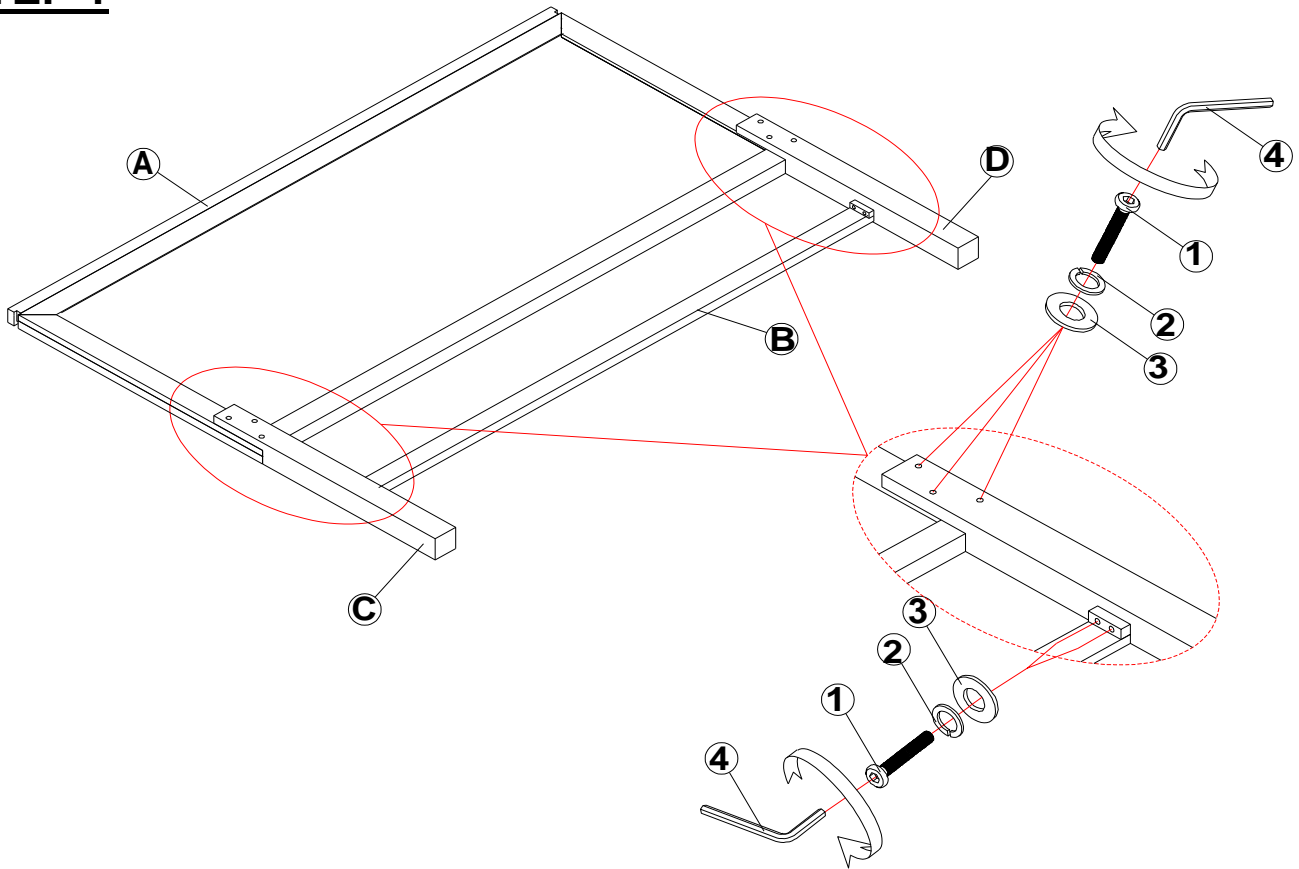
NOTE:

Phillips head screw driver is required in the assembly process; however, manufacturer does not provide this item.

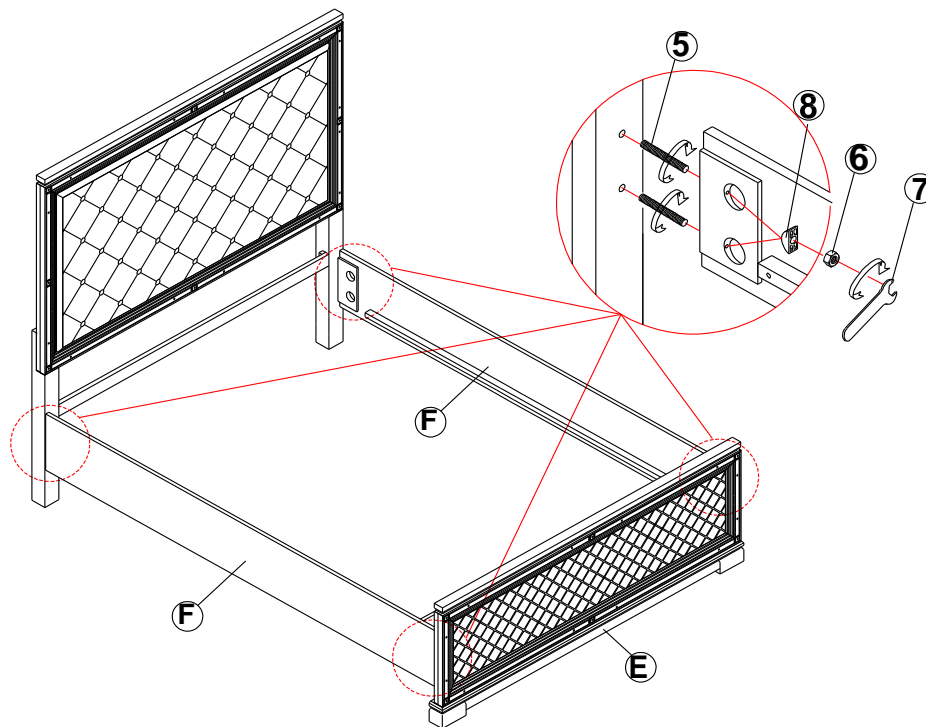
ITEM: 223561Q(B1-B3)

ASSEMBLY INSTRUCTIONS

STEP 1



STEP 2

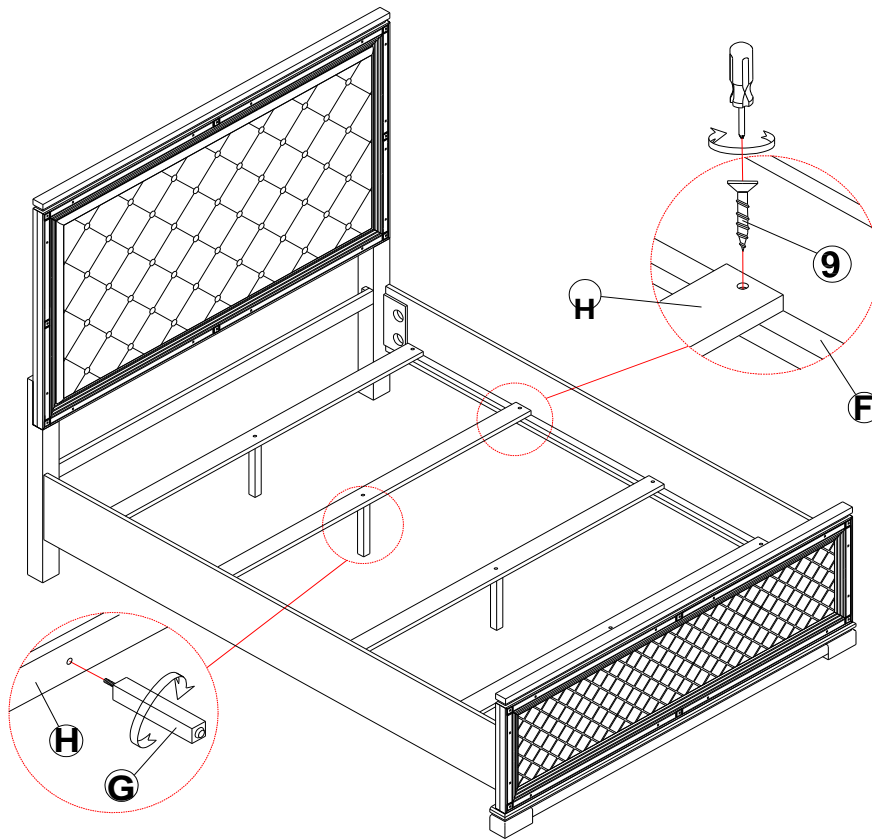


ITEM: 223561Q(B1-B3)

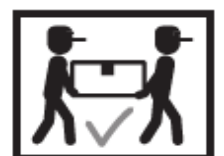
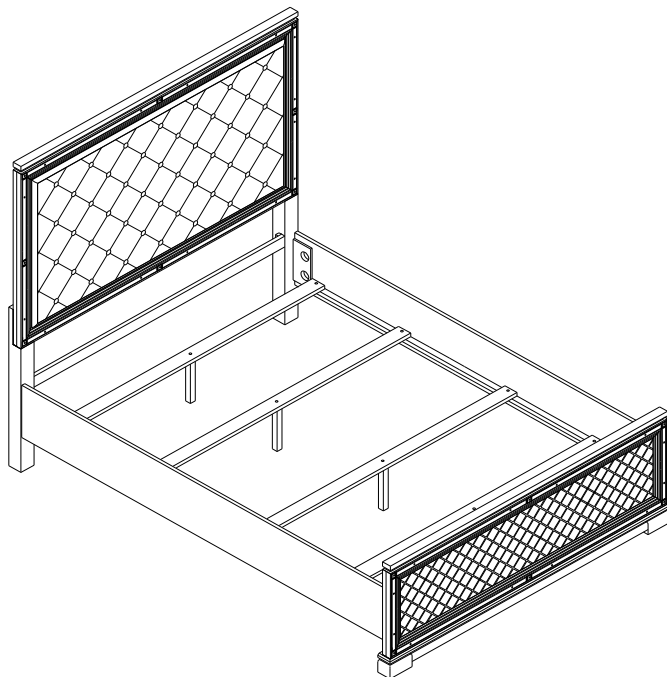
ASSEMBLY INSTRUCTIONS



STEP 3



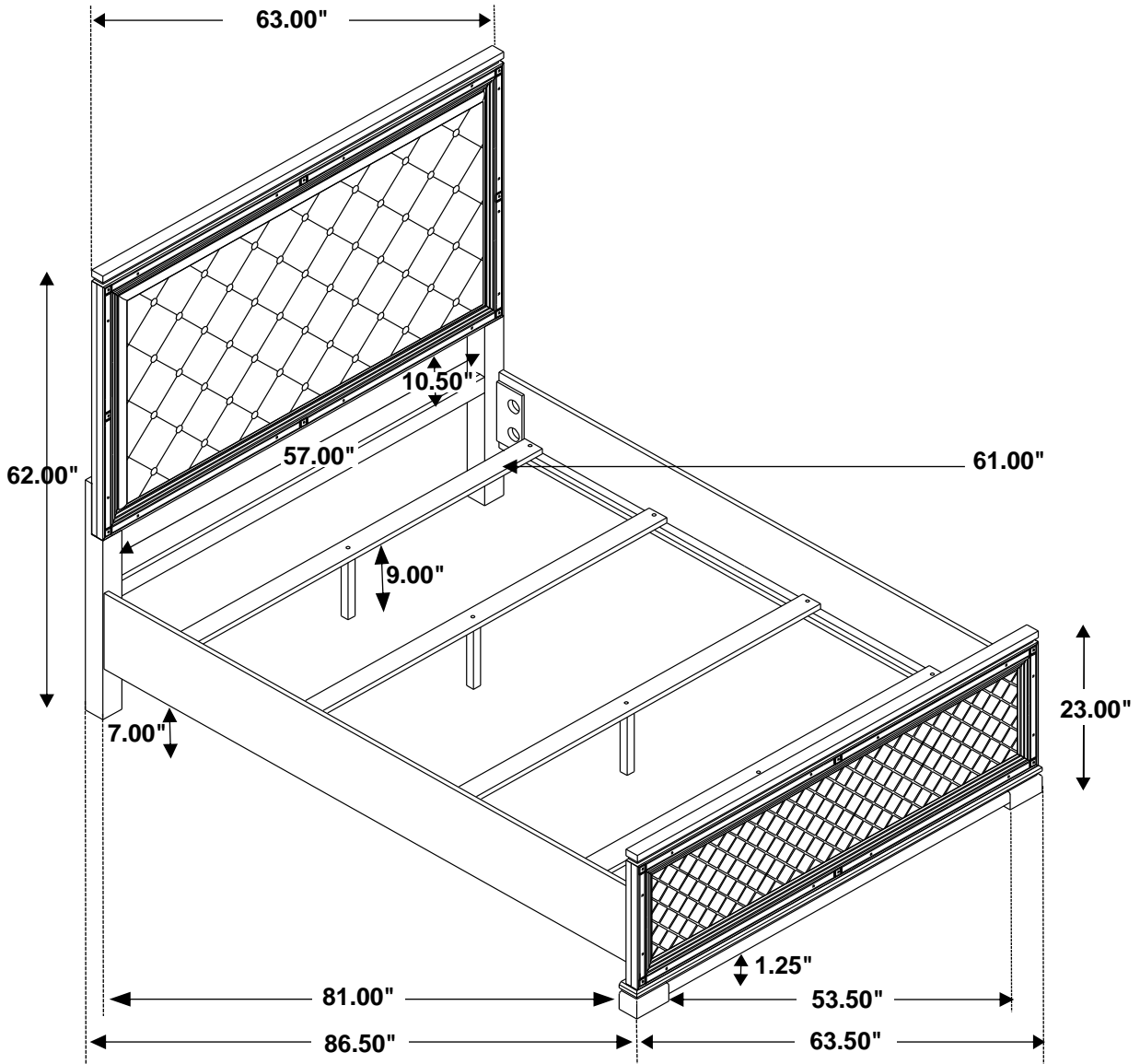
STEP 4 COMPLETE



ITEM: **223561Q(B1-B3)**



Inner Size: 61.50"W X 81.50"D



Note: Dimension tolerance $\pm 5\%$