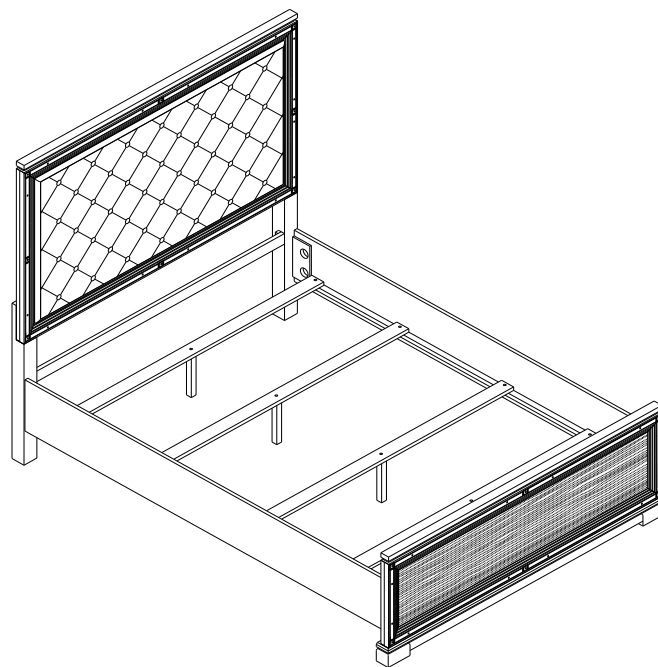


ASSEMBLY INSTRUCTIONS
COASTER FINE FURNITURE



Fine Furniture for every stage of life

223361Q (B1-B3)
Queen Bed

ITEM: 223361Q (B1-B3)



ASSEMBLY INSTRUCTIONS

ASSEMBLY TIPS:

1. Remove hardware from box and sort by size.
2. Please check to see that all hardware and parts are present prior to start of assembly.
3. Please follow attached instructions in the same sequence as numbered to assure fast & easy assembly.



WARNING!

1. Don't attempt to repair or modify parts that are broken or defective. Please contact the store immediately.
2. This product is for home use only and not intended for commercial establishments.

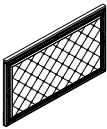
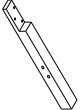


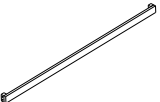
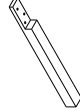
ASSEMBLY TIME

30 MINUTES

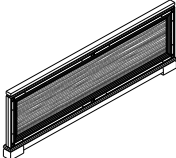
PARTS IDENTIFICATION

B1 (BOX 1)

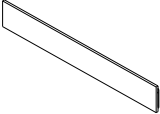
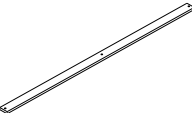
- | | | | |
|---|---------------------|---|-----|
| A | HEADBOARD PANEL |  | 1PC |
| C | RIGHT HEADBOARD LEG |  | 1PC |

- | | | | |
|---|-----------------------|---|-----|
| B | HEADBOARD BOTTOM RAIL |  | 1PC |
| D | LEFT HEADBOARD LEG |  | 1PC |

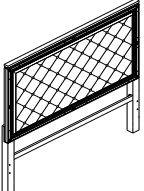
B2 (BOX 2)

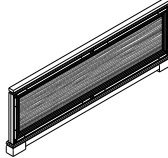
- | | | | |
|---|-----------|---|-----|
| E | FOOTBOARD |  | 1PC |
|---|-----------|---|-----|

B3 (BOX 3)

- | | | | |
|---|----------|---|------|
| F | BED RAIL |  | 2PCS |
| H | BED SLAT |  | 4PCS |

- | | | | |
|---|-------------------------------|---|------|
| G | BED SLAT SUPPORT WITH LEVELER |  | 4PCS |
|---|-------------------------------|---|------|

- | | | | |
|----|---|---|-----|
| HB | 223361Q (B1)
FROM BOX 1
HEADBOARD
COMPLETE |  | 1PC |
|----|---|---|-----|

- | | | | |
|---|---|---|-----|
| E | 223361Q (B2)
FROM BOX 1
FOOTBOARD |  | 1PC |
|---|---|---|-----|

NOTE:

Phillips head screw driver is required in the assembly process; however, manufacturer does not provide this item.

ITEM: 223361Q (B1-B3)



ASSEMBLY INSTRUCTIONS

ASSEMBLY TIPS:

1. Remove hardware from box and sort by size.
2. Please check to see that all hardware and parts are present prior to start of assembly.
3. Please follow attached instructions in the same sequence as numbered to assure fast & easy assembly.

WARNING!



1. Don't attempt to repair or modify parts that are broken or defective. Please contact the store immediately.
2. This product is for home use only and not intended for commercial establishments.


HARDWARE IDENTIFICATION

Z-B1 (BOX 1) - HARDWARE PACK IS LOCATED IN 223361Q (B1)

1 **BOLT**
(\varnothing 5/16" x 50MM - RBW)  10PCS


2 **LOCK WASHER**
(\varnothing 5/16" - RBW)  10PCS

3 **FLAT WASHER**
(\varnothing 5/16" - RBW)  10PCS

4 **ALLEN WRENCH**
(4MM - RBW)  1PC

Z-B3 (BOX 3) - HARDWARE PACK IS LOCATED IN 223361Q (B3)

5 **THREADED BOLT**
(\varnothing 5/16" x 3-1/2" - RBW)  8PCS

6 **HEX NUT**
(\varnothing 5/16" x 14mm - RBW)  8PCS

7 **WRENCH**
(14MM - RBW)  1PC

8 **HALF ROUND NUT**
(\varnothing 5/16" - RBW)  8PCS

9 **FLAT HEAD SCREW**
(\varnothing 4 x 30mm - RBW)  8PCS

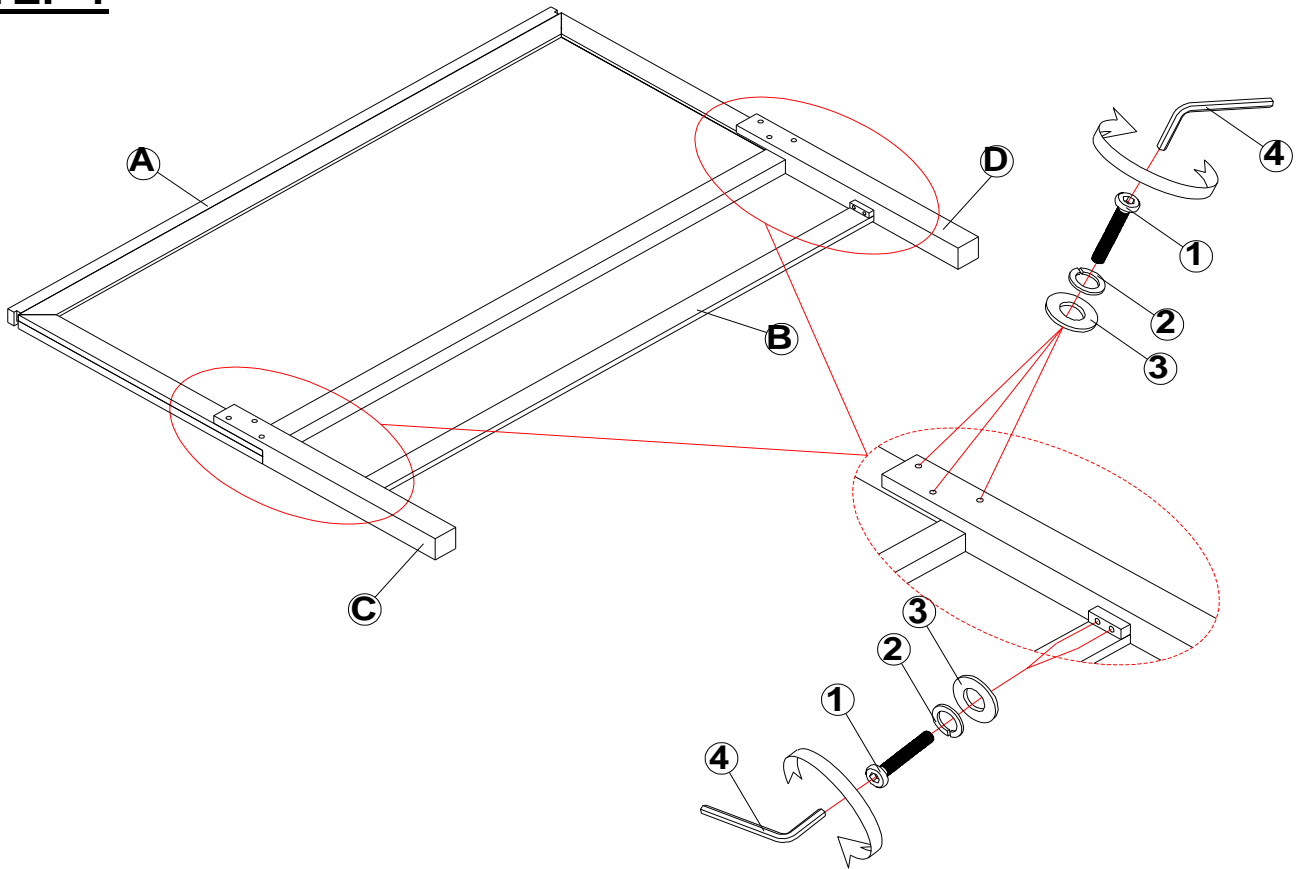
NOTE:

Phillips head screw driver is required in the assembly process; however, manufacturer does not provide this item.

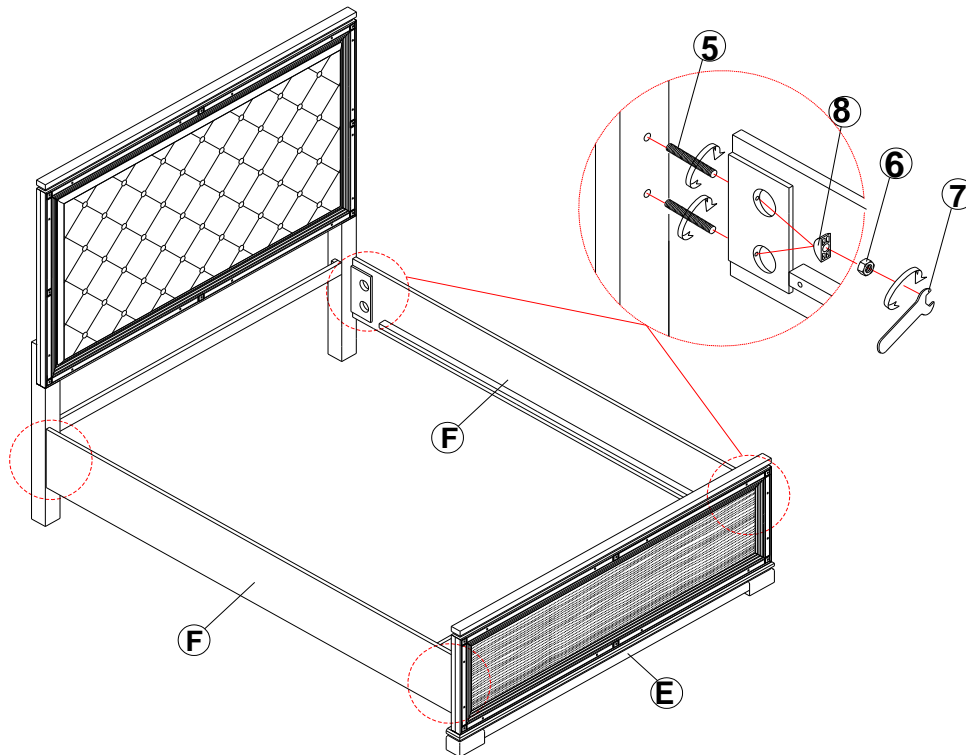
ITEM: 223361Q (B1-B3)

ASSEMBLY INSTRUCTIONS

STEP 1



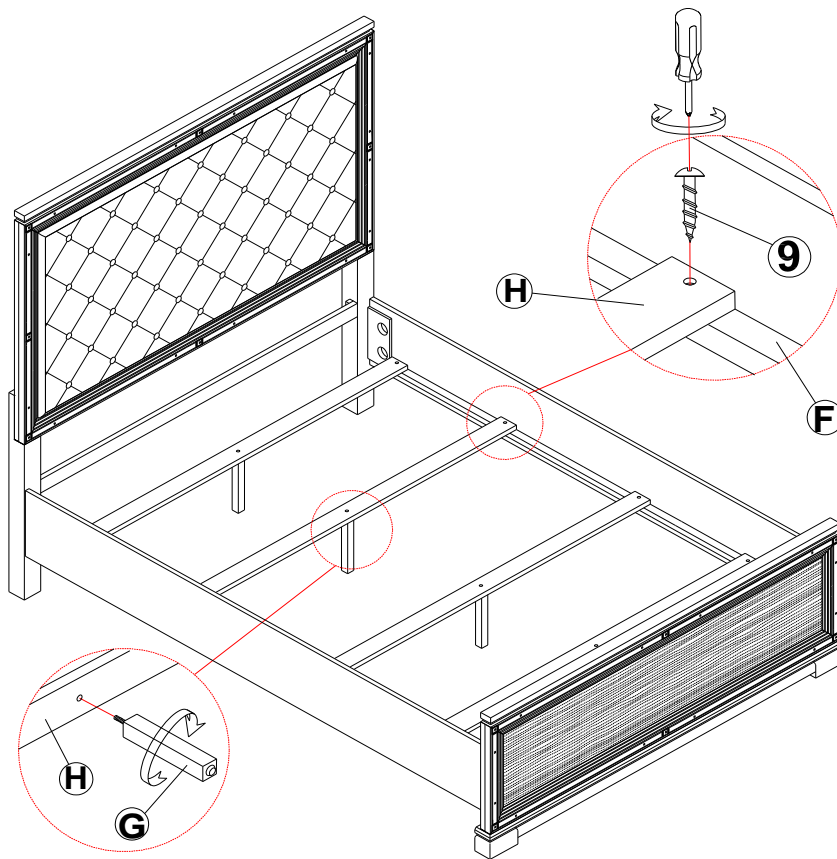
STEP 2



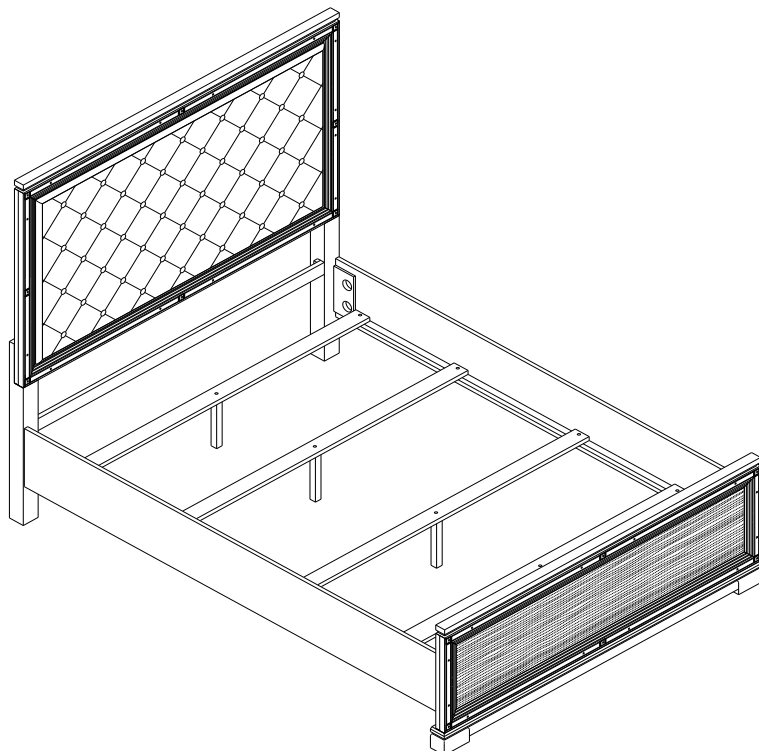
ITEM: **223361Q (B1-B3)**

ASSEMBLY INSTRUCTIONS

STEP 3



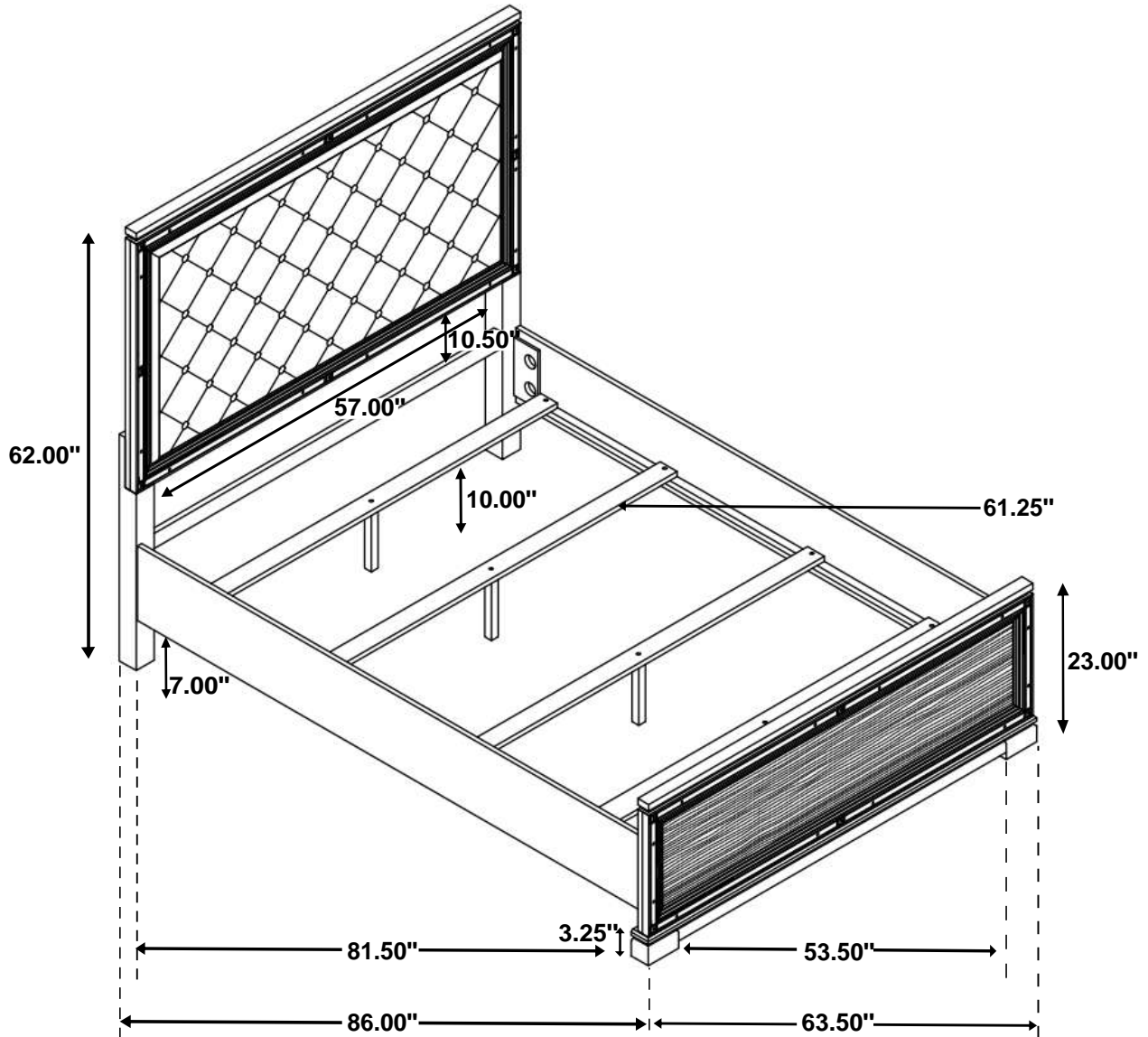
STEP 4
COMPLETE



ITEM: 223361Q (B1-B3)



Inner Size : 61.50"W X 81.50"D



Note: Dimension tolerance $\pm 5\%$