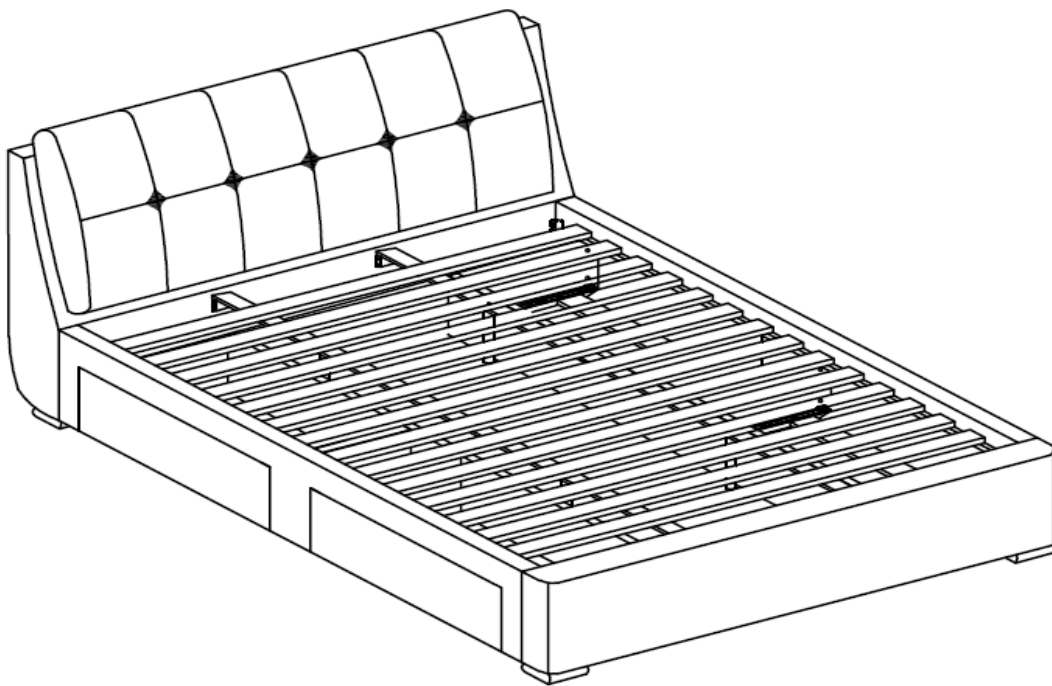


**ASSEMBLY INSTRUCTIONS**  
**COASTER FINE FURNITURE**



*Fine Furniture for every stage of life*

**300523KE (B1-B5)**  
**Eastern King Storage Bed**

REVISION 0 : 11/30/2015  
REVISION 1 : 12/28/2015  
REVISION 2 : 06/09/2016  
REVISION 3 : 08/20/2016  
REVISION 4 : 09/26/2016  
REVISION 5 : 07/17/2019

# ITEM: 300523KE (B1-B5)



## ASSEMBLY INSTRUCTIONS

### ASSEMBLY TIPS:

1. Remove hardware from box and sort by size.
2. Please check to see that all hardware and parts are present prior to start of assembly.
3. Please follow attached instructions in the same sequence as numbered to assure fast & easy assembly.



### WARNING!

1. Don't attempt to repair or modify parts that are broken or defective. Please contact the store immediately.
2. This product is for home use only and not intended for commercial establishments.



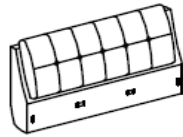
ASSEMBLY TIME

90 MINUTES

## PARTS IDENTIFICATION

### B1 ( BOX 1 )

A HEADBOARD  
PANEL



1PC

### B2 ( BOX 2 )

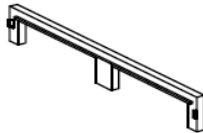
B FOOTBOARD  
PANEL



1PC

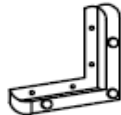
### B3 ( BOX 3 )

C BED RAIL



2PCS

D HEADBOARD &  
FOOTBOARD  
LEG



4PCS

E CENTER RAIL



2PCS

F BED SLAT  
SUPPORT WITH  
LEVELER



4PCS

H DRAWER FRONT  
PANEL (WITH "1"  
LABEL)



4PCS

### NOTE:

Phillips head screw driver is required in the assembly process; however, manufacturer does not provide this item.

# ITEM: 300523KE (B1-B5)



## ASSEMBLY INSTRUCTIONS

### ASSEMBLY TIPS:

1. Remove hardware from box and sort by size.
2. Please check to see that all hardware and parts are present prior to start of assembly.
3. Please follow attached instructions in the same sequence as numbered to assure fast & easy assembly.

### WARNING!



1. Don't attempt to repair or modify parts that are broken or defective. Please contact the store immediately.
2. This product is for home use only and not intended for commercial establishments.






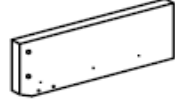
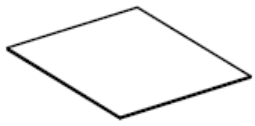





ASSEMBLY TIME

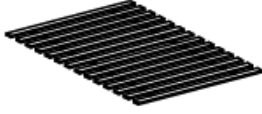

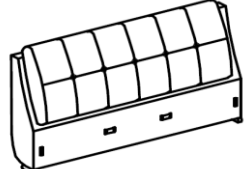
90 MINUTES

## PARTS IDENTIFICATION

### B4 (BOX 4)

G	SET OF GLIDES		8SET	M	SIDE FRAME (WITH "6" LABEL)		2PCS
I	DRAWER BACK PANEL (WITH "2" LABEL)		4PCS	N	SMALL RIGHT CENTER PANEL (WITH "7" LABEL)		2PCS
J	DRAWER SIDE PANEL (WITH "3" LABEL)		8PCS	O	SMALL LEFT CENTER PANEL (WITH "8" LABEL)		2PCS
K	DRAWER BOTTOM PANEL (WITH "4" LABEL)		4PCS	P	LARGE CENTER FRAME (WITH "9" LABEL)		2PCS
L	DRAWER SUPPORT BAR (WITH "5" LABEL)		8PCS	Q	SUPPORT BAR (WITH "10" LABEL)		2PCS

### B5 (BOX 5)

R	ROLL SLAT (14PCS)		1SET	FB	300523KE (B2&B3) *FROM BOX 2 & BOX 3 FOOTBOARD		1PC
HB	300523KE (B1&B3) *FROM BOX 1 & BOX 3 HEADBOARD COMPLETE		1PC				

### NOTE:

Phillips head screw driver is required in the assembly process; however, manufacturer does not provide this item.

# ITEM: 300523KE (B1-B5)

## ASSEMBLY INSTRUCTIONS

### ASSEMBLY TIPS:

1. Remove hardware from box and sort by size.
2. Please check to see that all hardware and parts are present prior to start of assembly.
3. Please follow attached instructions in the same sequence as numbered to assure fast & easy assembly.


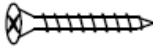

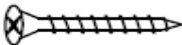
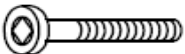
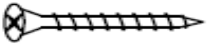

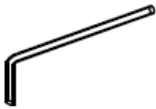


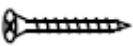


### WARNING!

1. Don't attempt to repair or modify parts that are broken or defective. Please contact the store immediately.
2. This product is for home use only and not intended for commercial establishments.

## HARDWARE IDENTIFICATION

### Z-B3 (BOX 3) - HARDWARE PACK IS LOCATED IN 300523KE (B3)

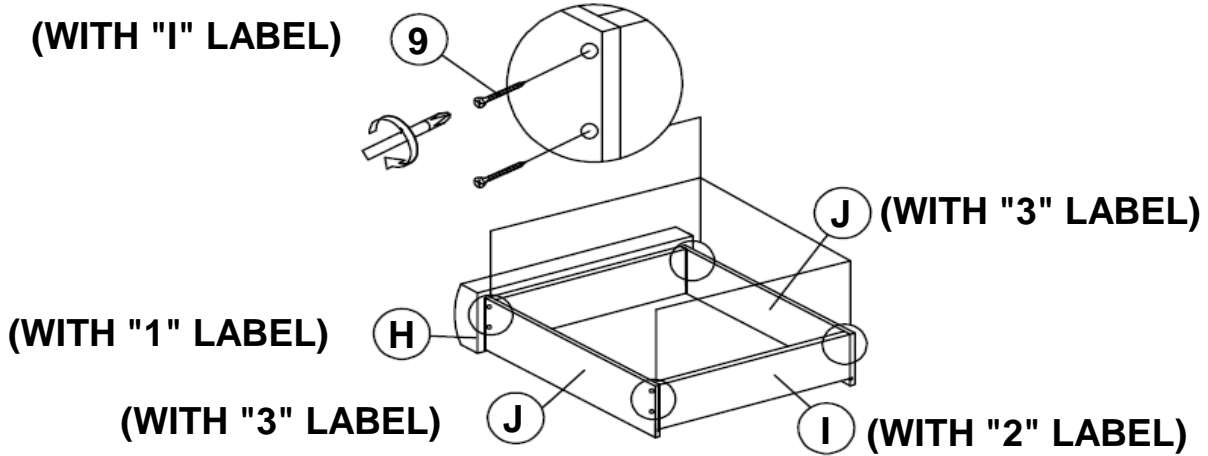
1	<b>PLASTIC DOWEL</b> (4 x 25MM - BLK) (WITH "A" LABEL)		24PCS	7	<b>MEDIUM FLAT HEAD SCREW</b> (CSKM4 X 25MM - RBW) (WITH "G" LABEL)		14PCS
2	<b>SHORT BOLT JCBCW</b> (M6 x 40MM - BLK) (WITH "B" LABEL)		24PCS	8	<b>LONG FLAT HEAD SCREW</b> (CSKM4 X 32MM - RBW) (WITH "H" LABEL)		47PCS
3	<b>LONG BOLT JCBC</b> (M6 x 40MM - RBW) (WITH "C" LABEL)		18PCS	9	<b>LONG FLAT HEAD SCREW</b> (CSKM4 X 50MM - RBW) (WITH "I" LABEL)		32PCS
4	<b>PLASTIC GLIDE</b> (20MM - WHT) (WITH "D" LABEL)		20PCS	10	<b>ALLEN WRENCH</b> (M4 X 65MM-BLK) (WITH "J" LABEL)		1PC
5	<b>NAIL</b> (20MM - RBW) (WITH "E" LABEL)		48PCS	11	<b>LOCK WASHER</b> (20MM- RBW) (WITH "K" LABEL)		16PCS
6	<b>SHORT FLAT HEAD SCREW</b> (CSK3.5 x 16MM- RBW) (WITH "F" LABEL)		48PCS				

### NOTE:

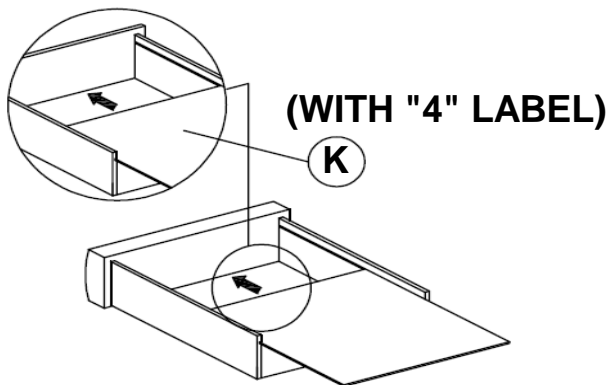
Phillips head screw driver is required in the assembly process; however, manufacturer does not provide this item.

**ASSEMBLY INSTRUCTIONS**

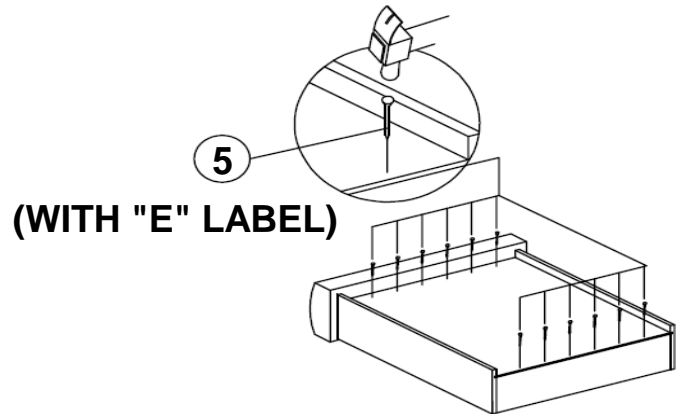
**STEP 1**



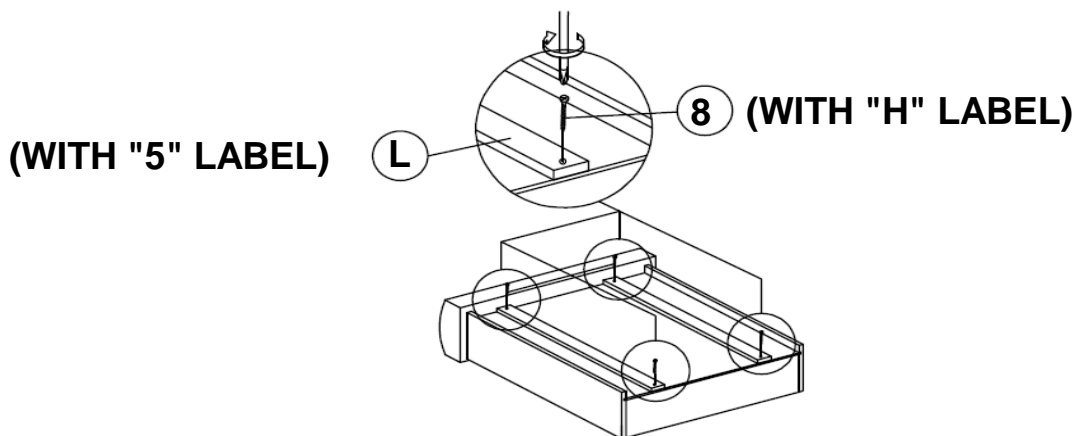
**STEP 2**



**STEP 3**

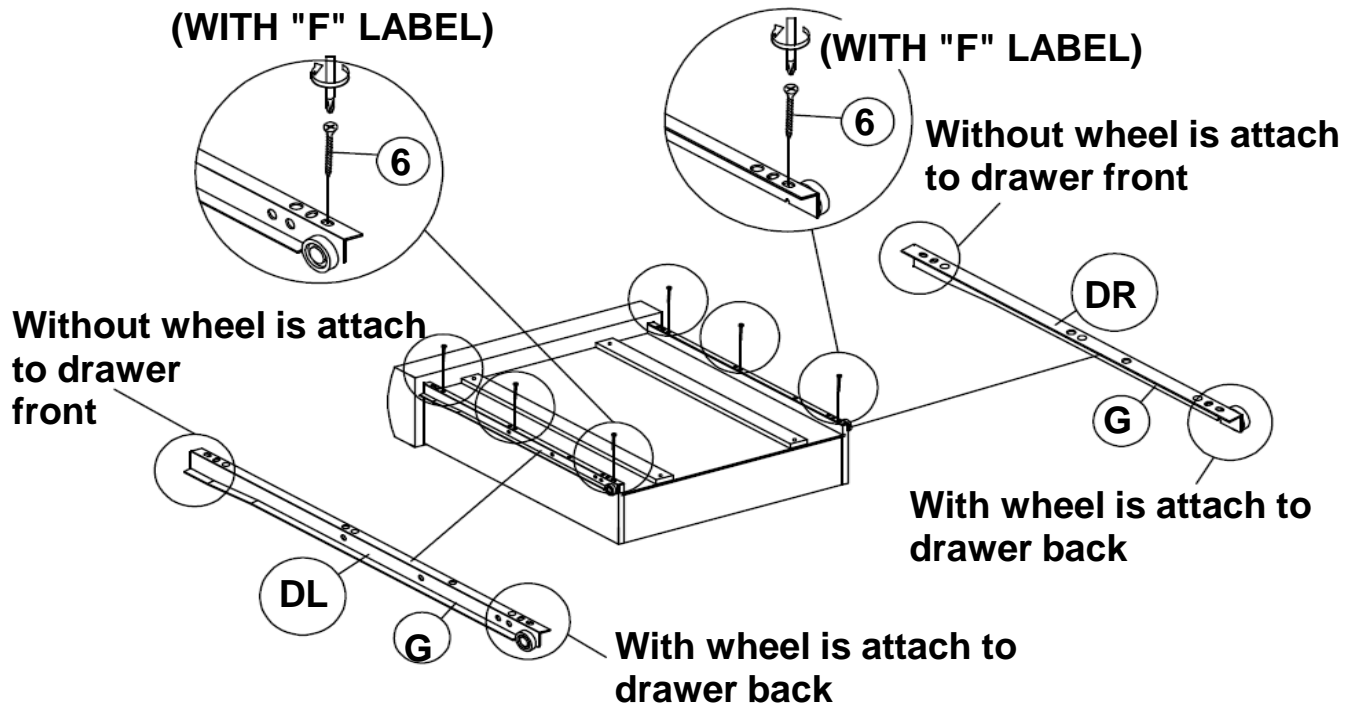


**STEP 4**

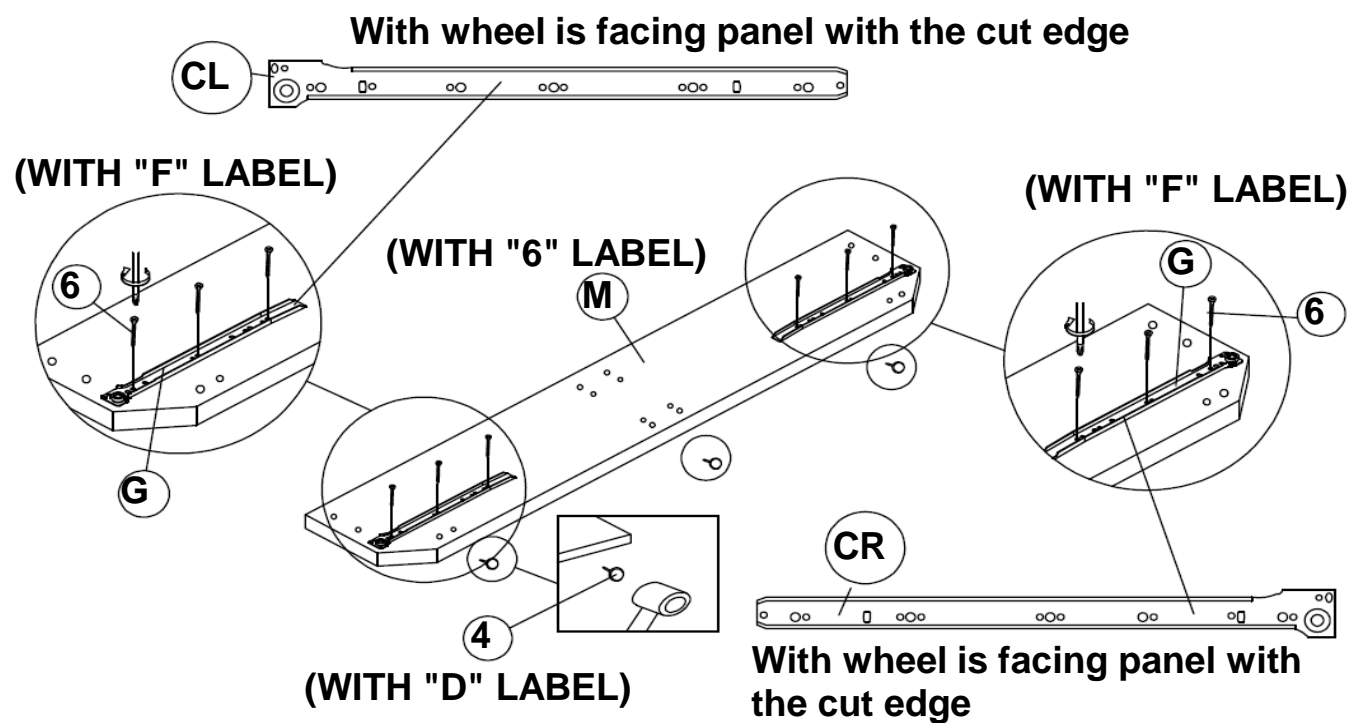


**ASSEMBLY INSTRUCTIONS**

**STEP 5**



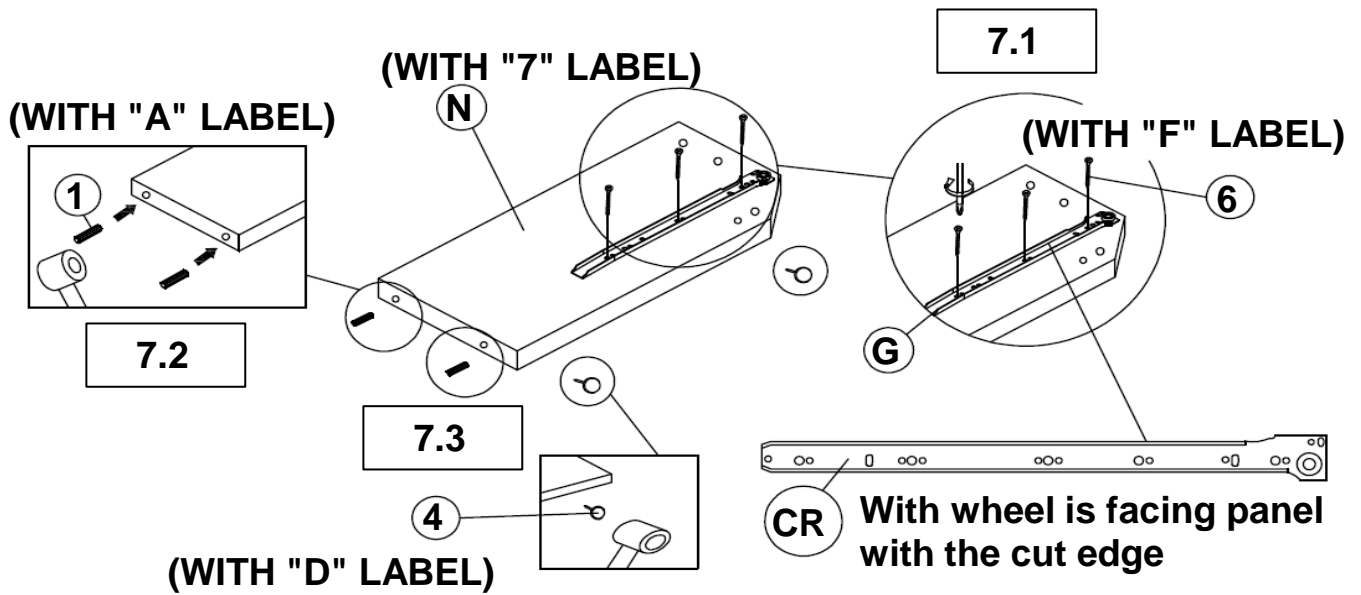
**STEP 6**



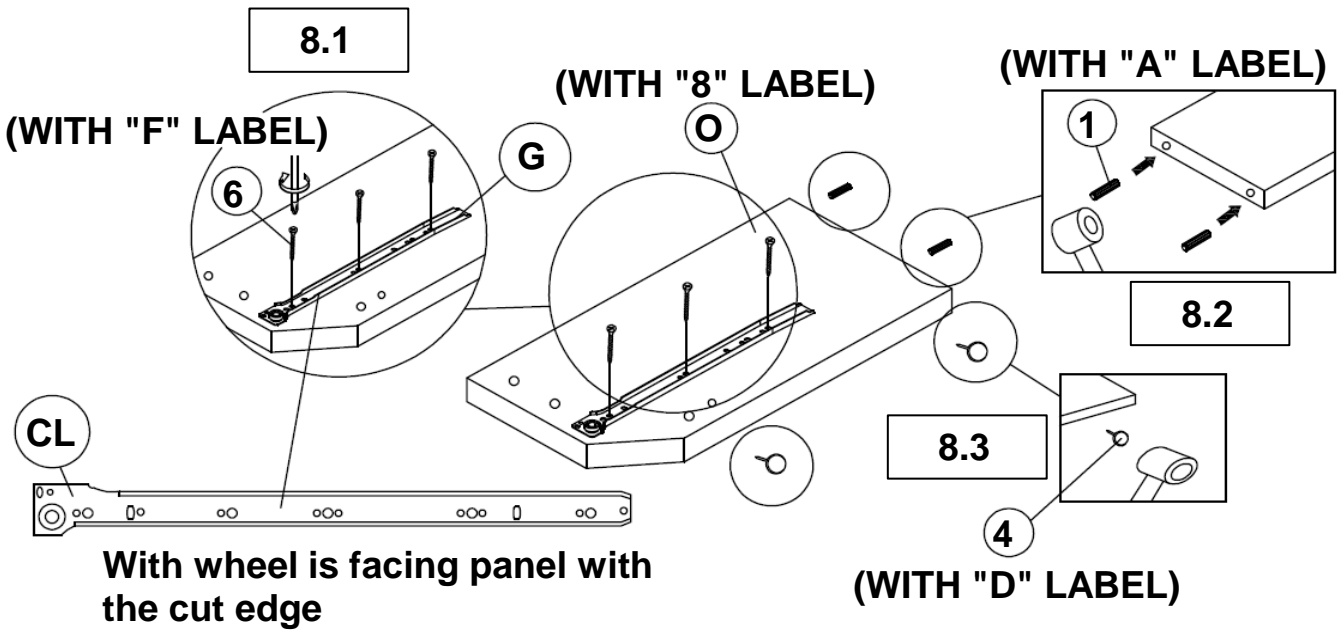
# ITEM: 300523KE (B1-B5)



## ASSEMBLY INSTRUCTIONS STEP 7

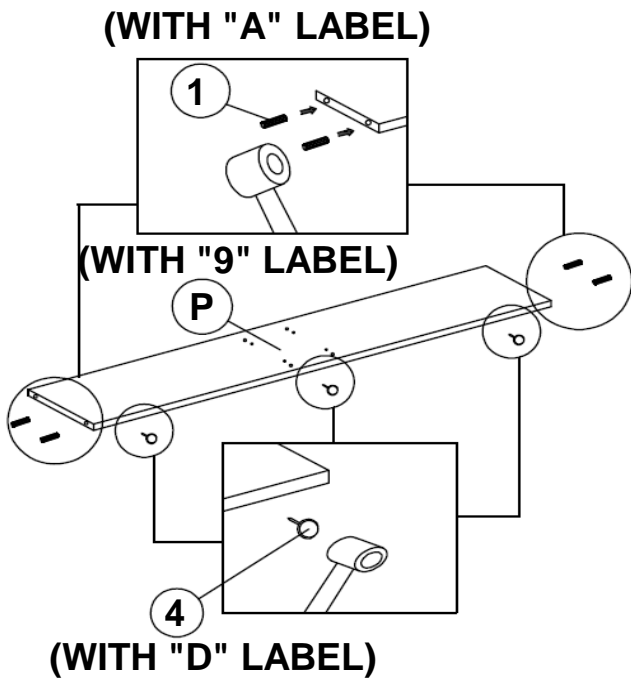


## STEP 8

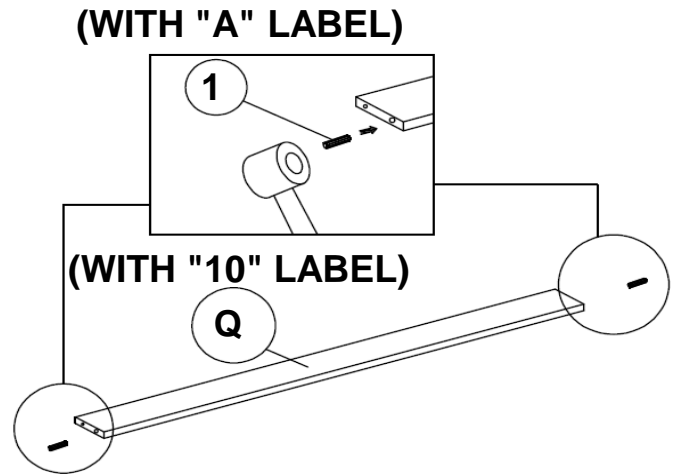


**ASSEMBLY INSTRUCTIONS**

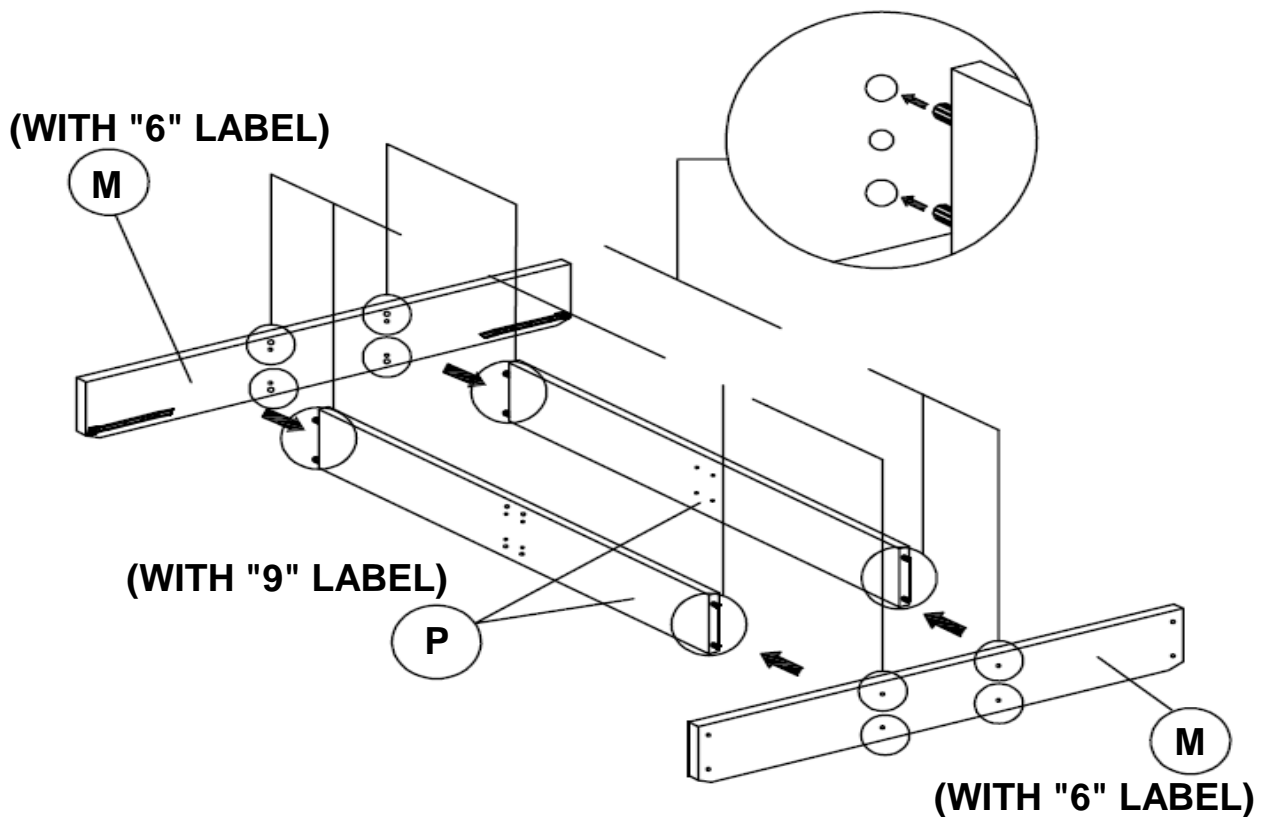
**STEP 9**



**STEP 10**



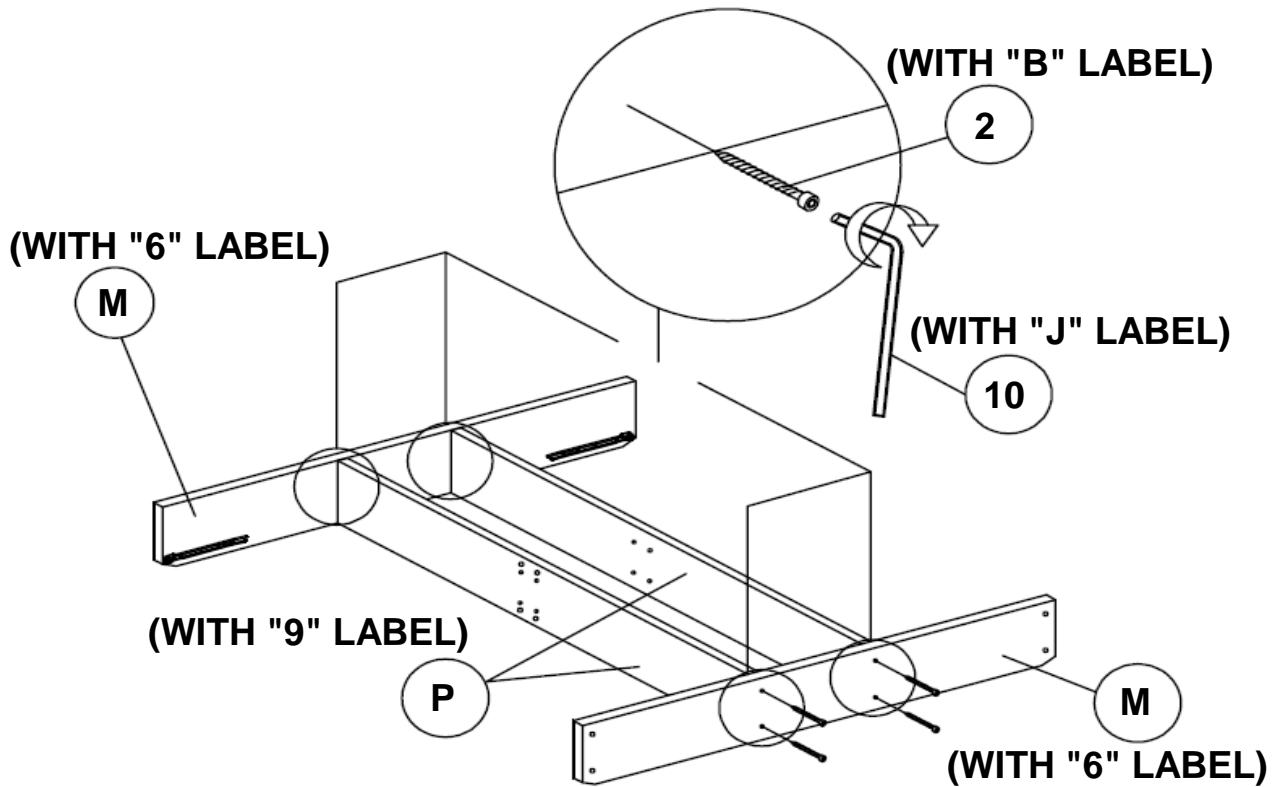
**STEP 11**



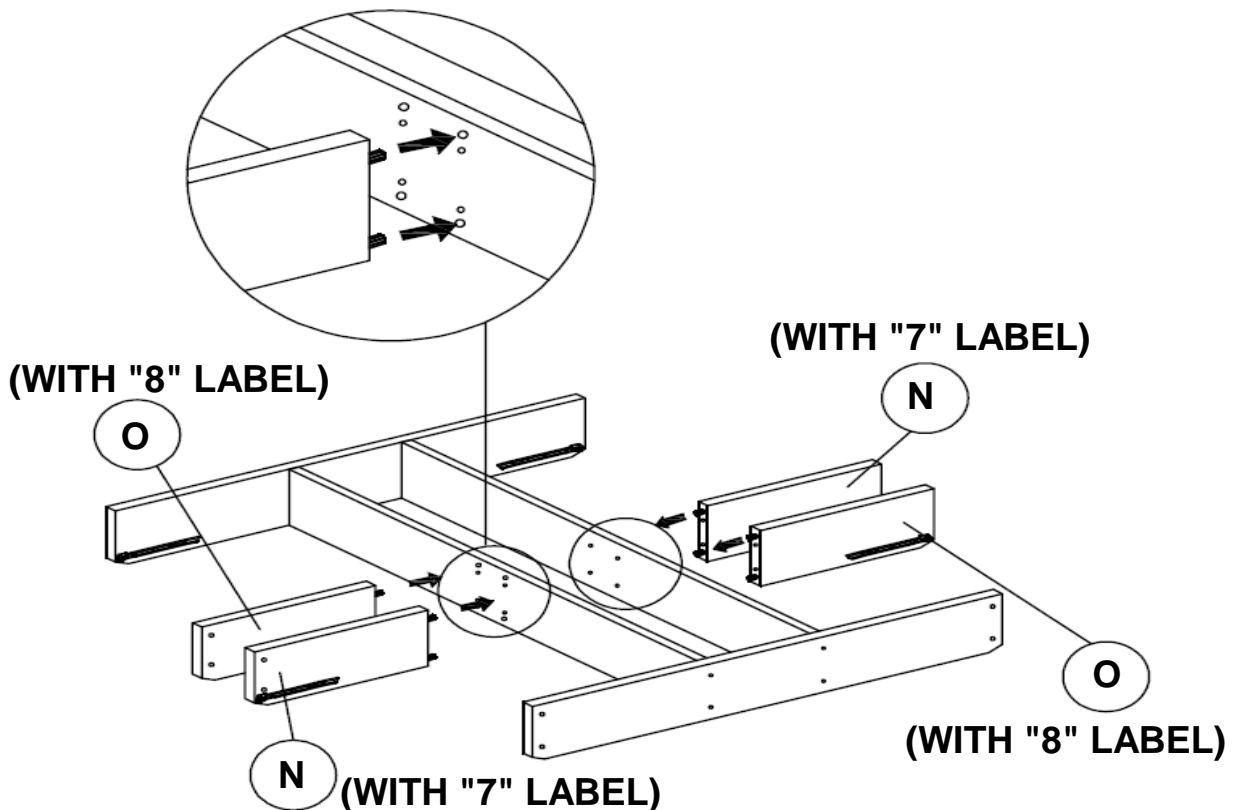
# ITEM: 300523KE (B1-B5)



## ASSEMBLY INSTRUCTIONS STEP 12



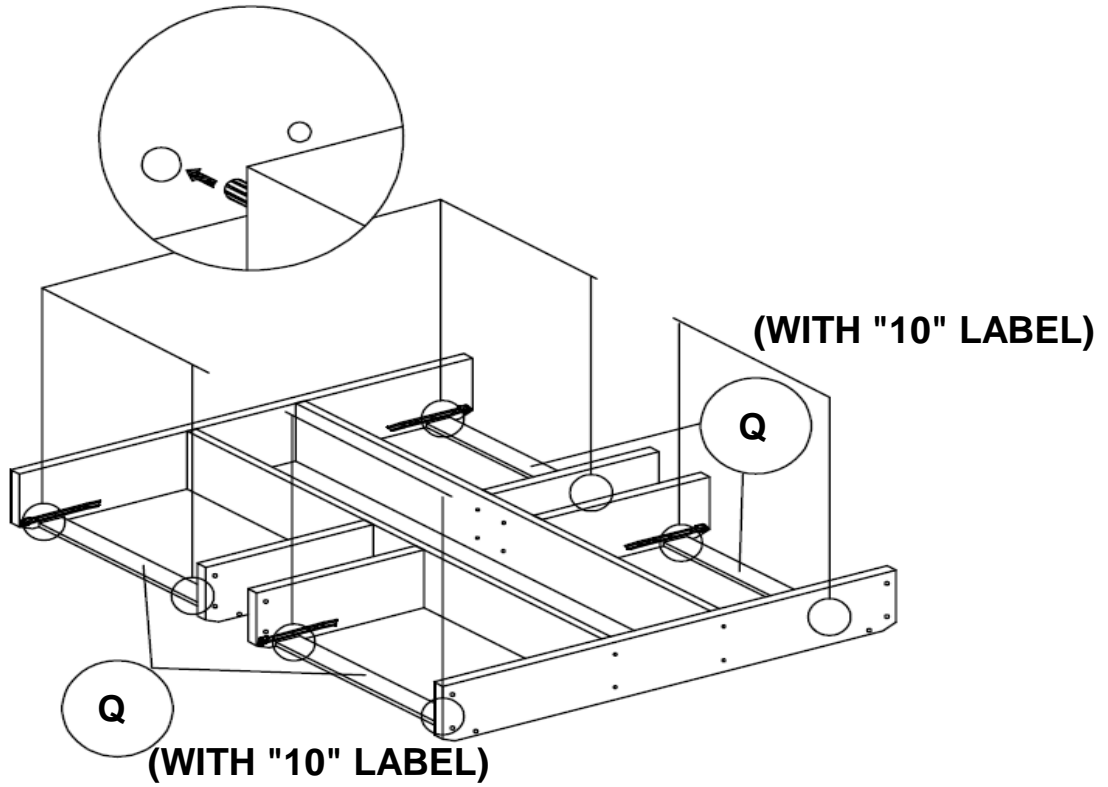
## STEP 13



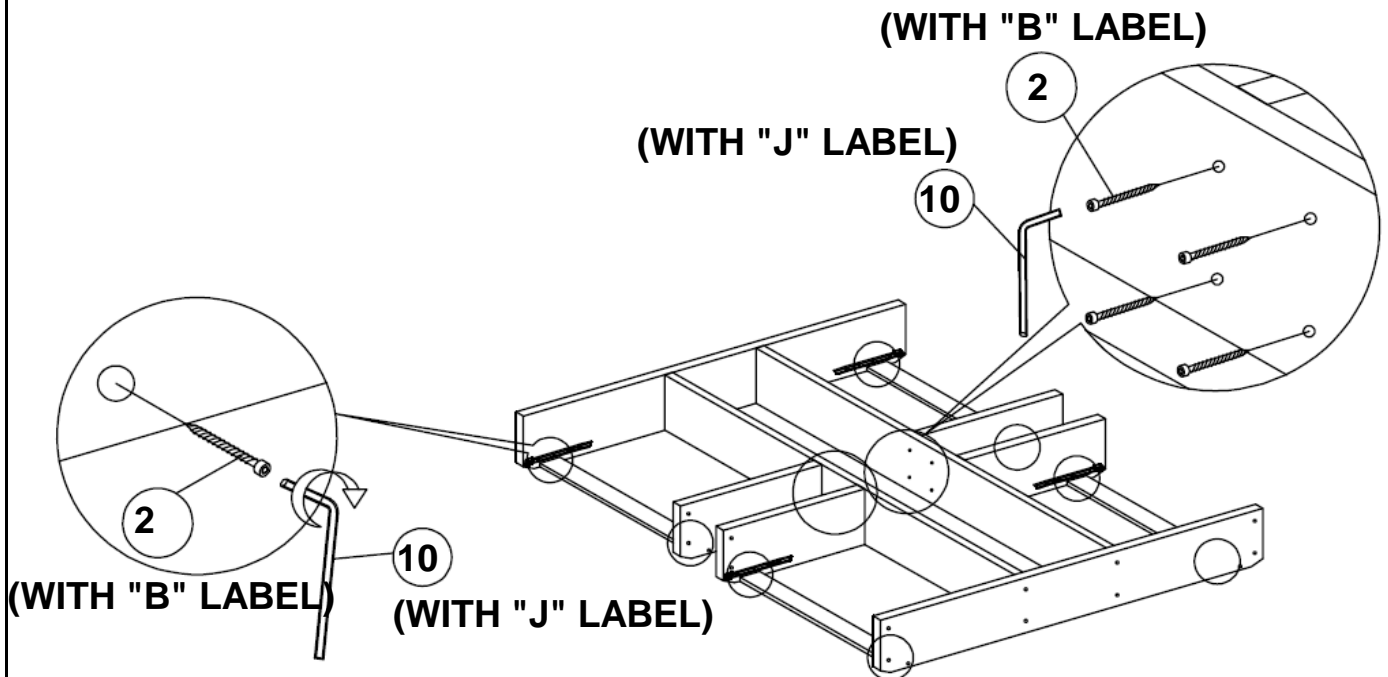
# ITEM: 300523KE (B1-B5)



## ASSEMBLY INSTRUCTIONS STEP 14



## STEP 15

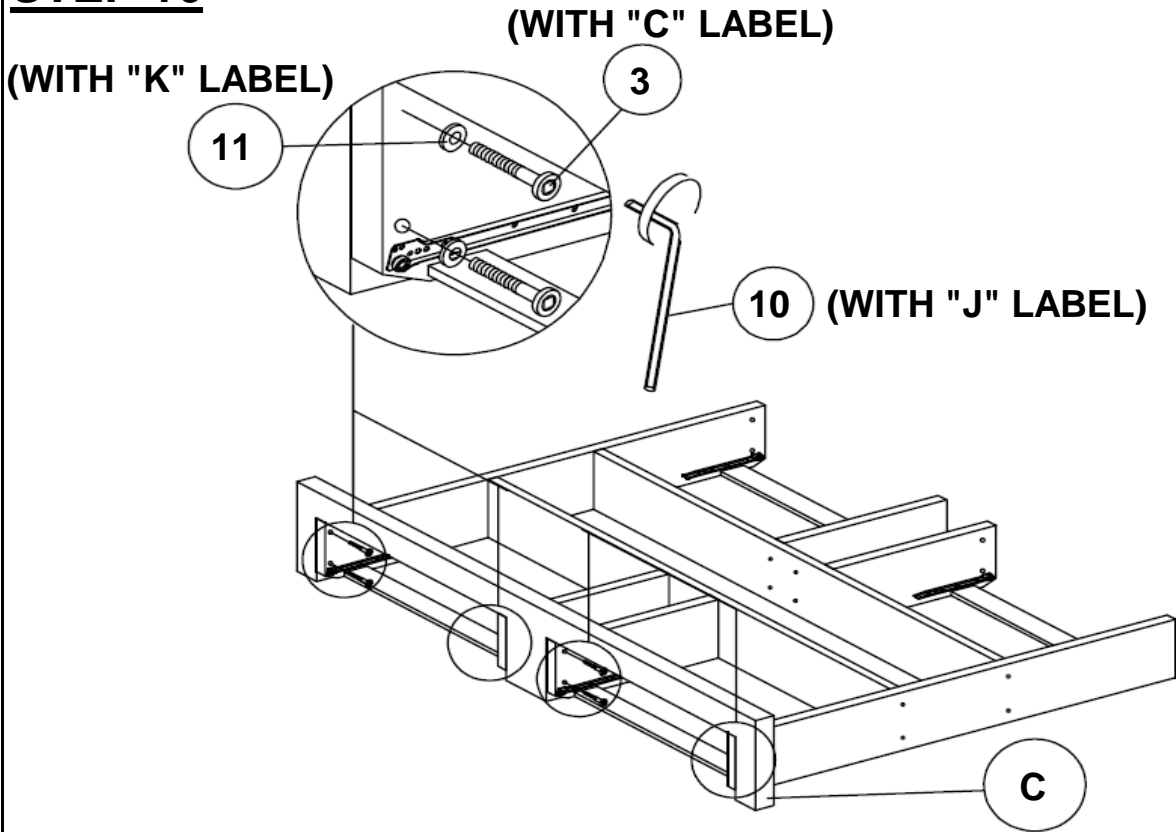


# ITEM: 300523KE (B1-B5)

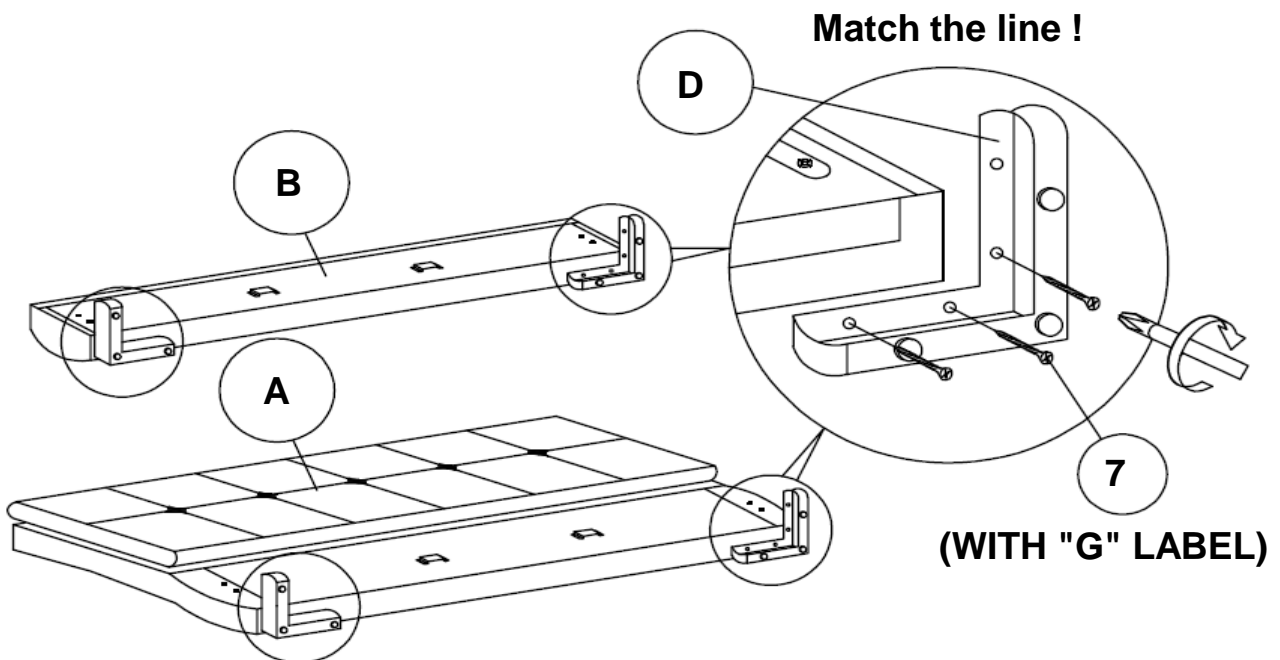


## ASSEMBLY INSTRUCTIONS

### STEP 16

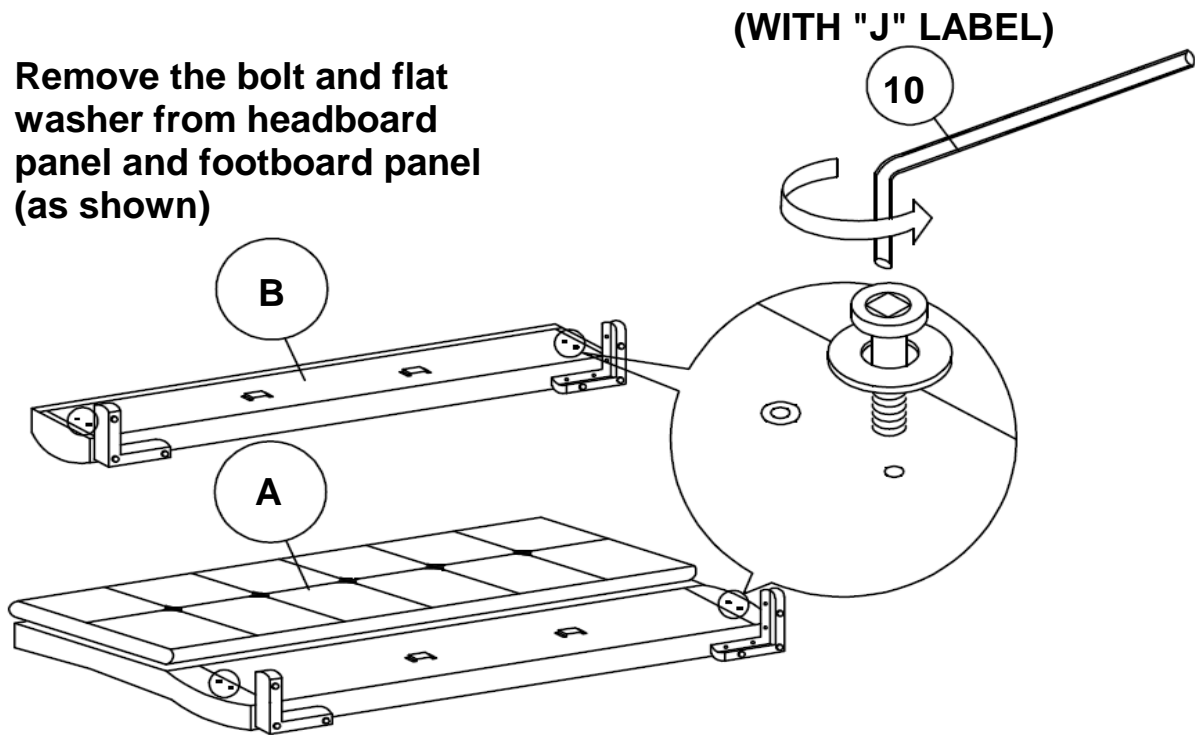


### STEP 17



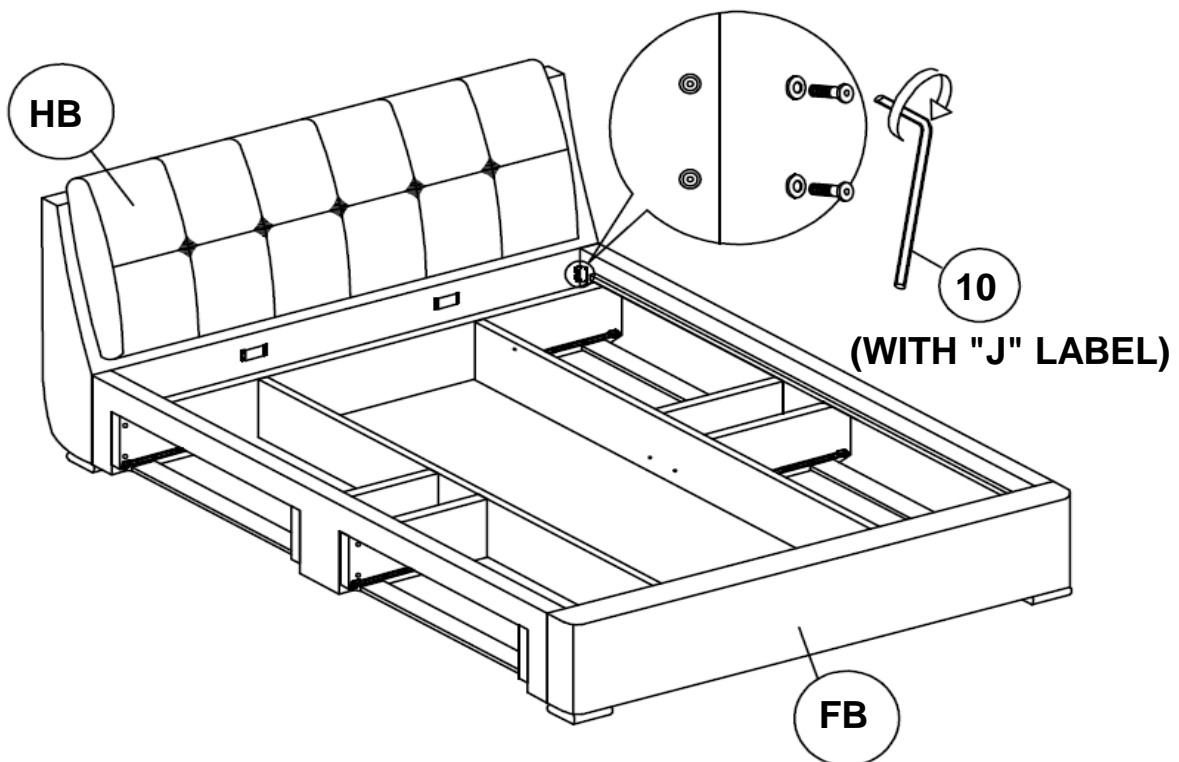
**ASSEMBLY INSTRUCTIONS**  
**STEP 18**

Remove the bolt and flat washer from headboard panel and footboard panel (as shown)



**STEP 19**

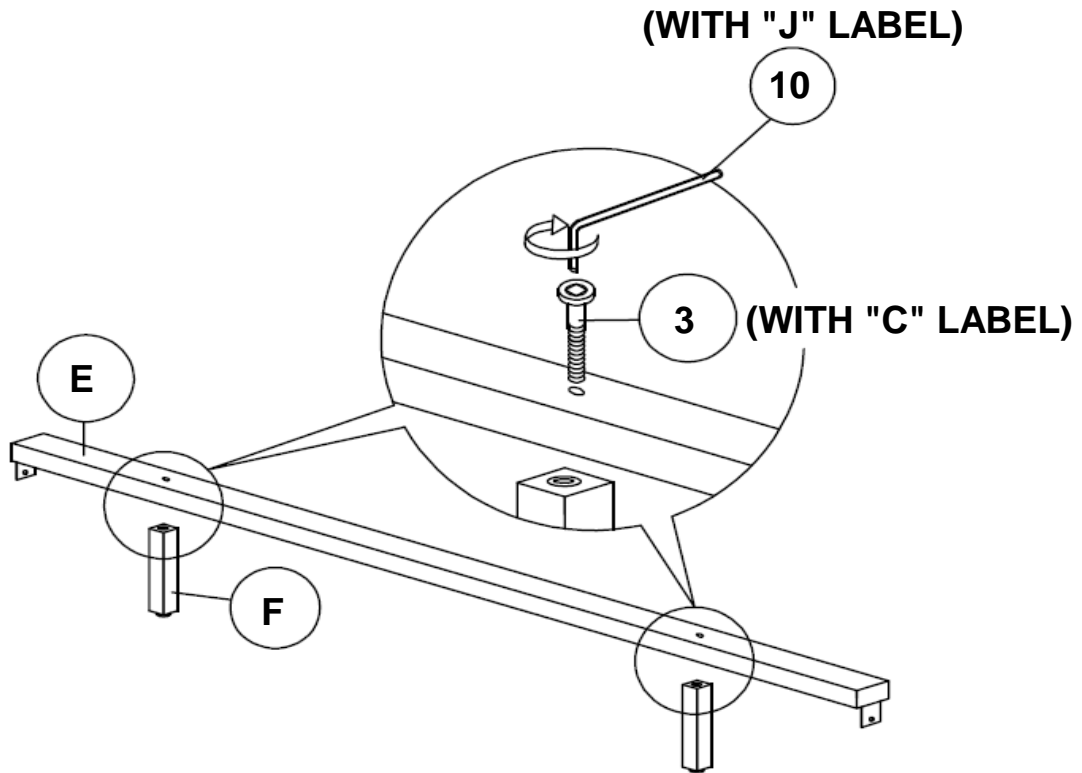
Align and fasten bolt and flat washer using allen wrench.



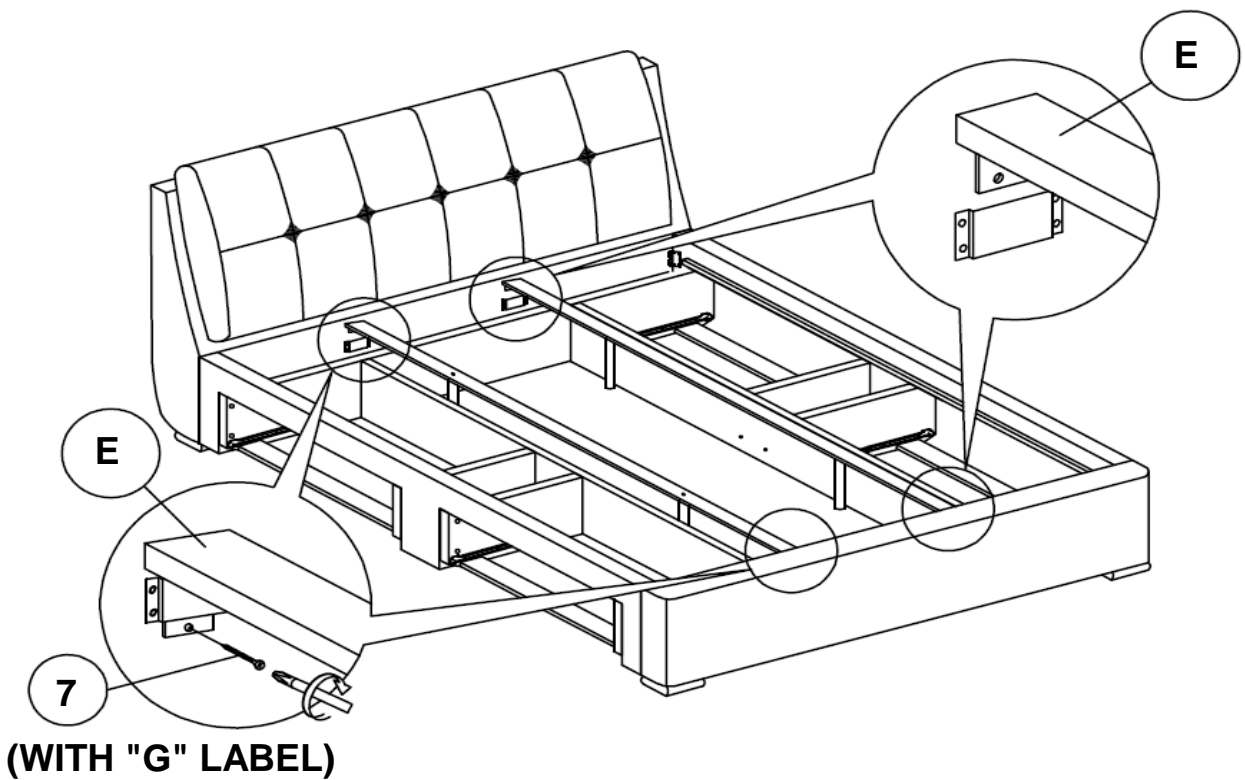
ITEM: **300523KE (B1-B5)**



**ASSEMBLY INSTRUCTIONS**  
**STEP 20**



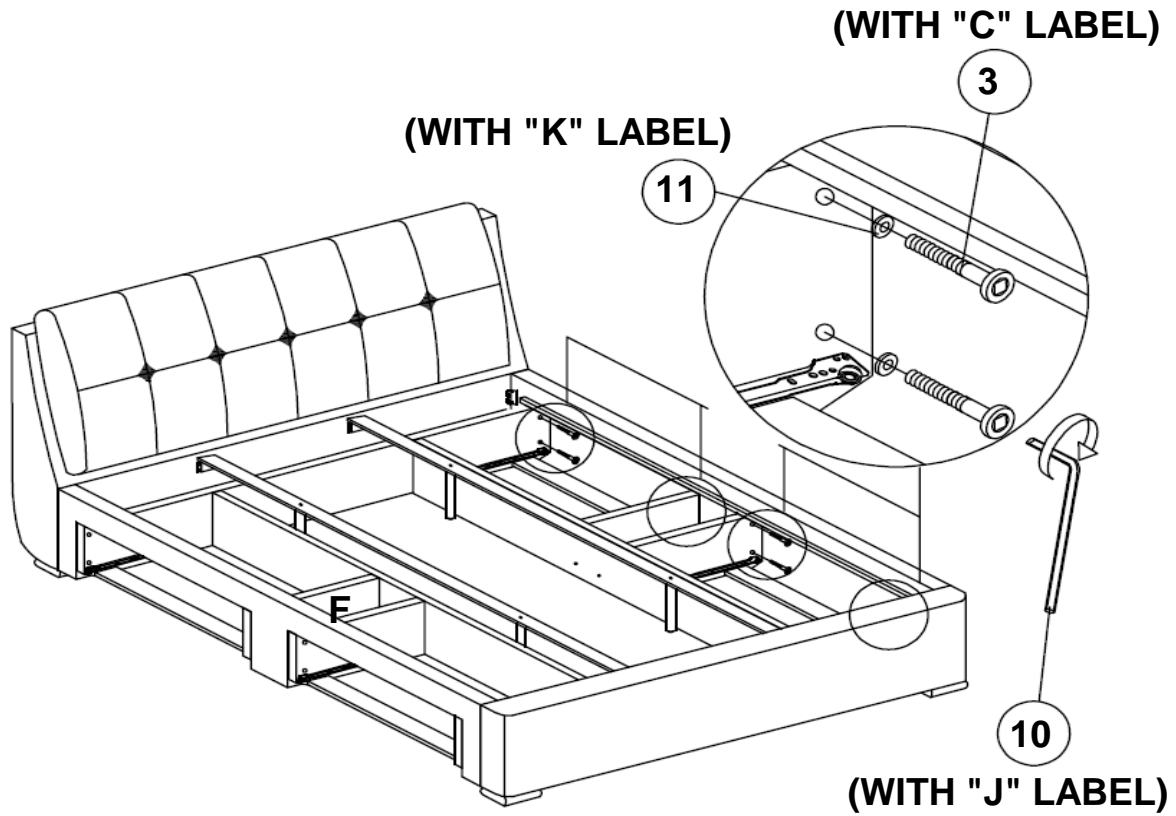
**STEP 21**



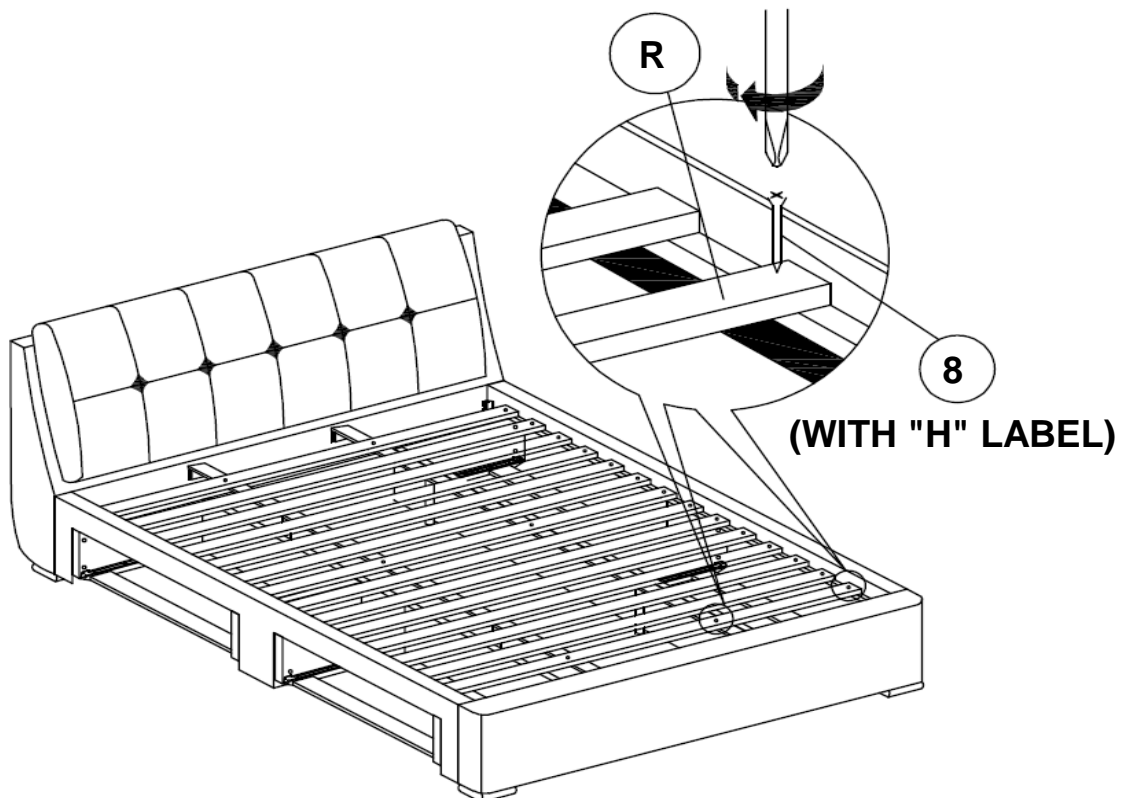
ITEM: **300523KE (B1-B5)**



**ASSEMBLY INSTRUCTIONS**  
**STEP 22**



**STEP 23**



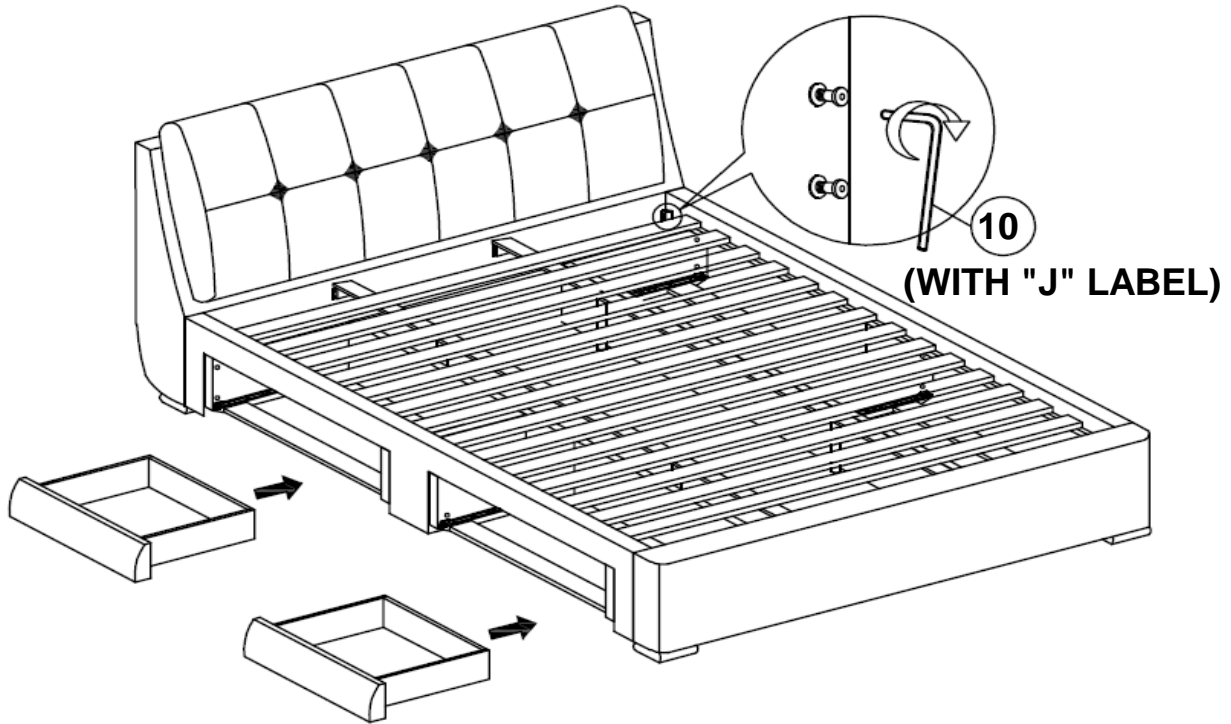
ITEM: **300523KE (B1-B5)**



**ASSEMBLY INSTRUCTIONS**

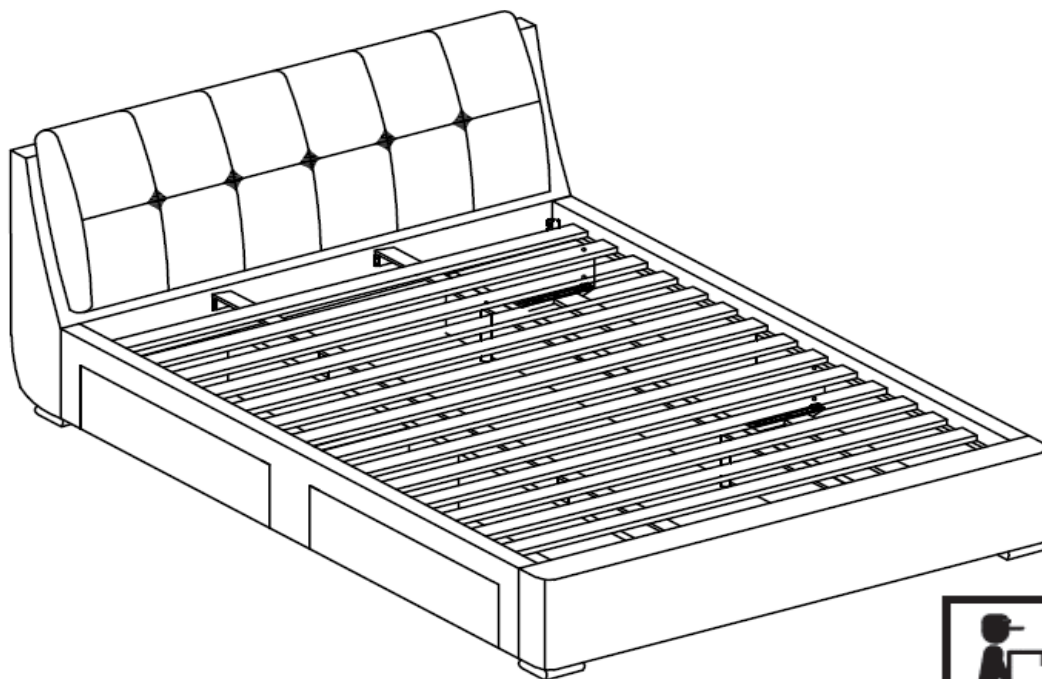
**STEP 24**

Fully tighten the bolt from STEP 19 with Allen wrench



**STEP 25**

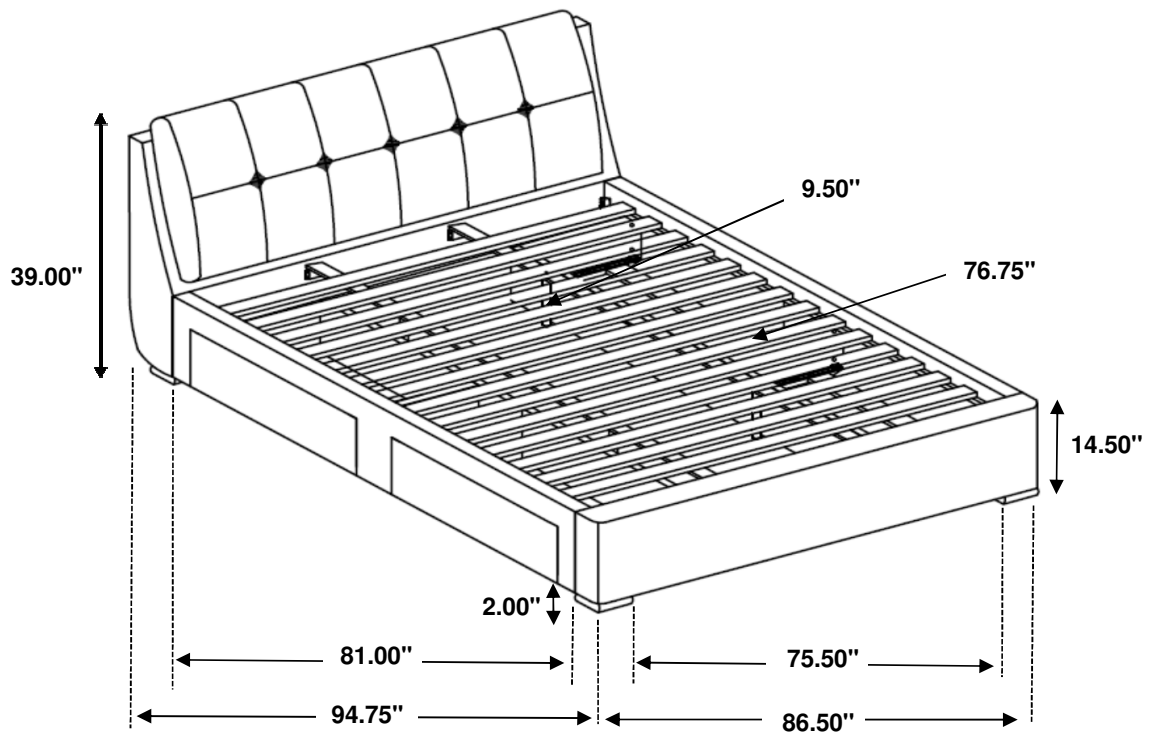
**COMPLETE**



ITEM: **300523KE (B1-B5)**



Inner Size : 76.75"W X 81.00"D



Note : Dimension tolerance  $\pm 5\%$