



# ASSEMBLY INSTRUCTIONS COASTER FINE FURNITURE



*Fine Furniture for every stage of life*

**224461Q (B1&B2)**  
***Queen Bed***

# ITEM: 224461Q (B1&B2)



## ASSEMBLY INSTRUCTIONS

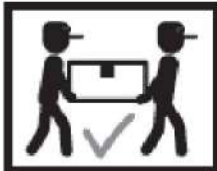
### ASSEMBLY TIPS:

- 1 . Remove hardware from box and sort by size.
- 2 . Please check to see that all hardware and parts are present prior to start of assembly.
- 3 . Please follow attached instructions in the same sequence as numbered to assure fast & easy assembly.

### WARNING !



- 1 . Don't attempt to repair or modify parts that are broken or defective. Please contact the store immediately.
- 2 . This product is for home use only and not intended for commercial establishment.



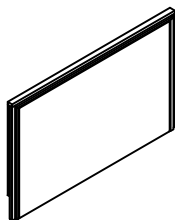
ASSEMBLY TIME

20 MINUTES

## PARTS IDENTIFICATION

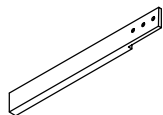
### B1 (BOX 1)

A HEADBOARD PANEL



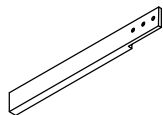
1PC

B RIGHT HEADBOARD LEG



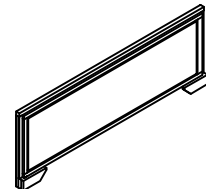
1PC

C LEFT HEADBOARD LEG



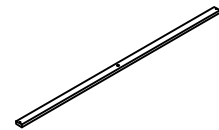
1PC

D FOOTBOARD



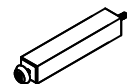
1PC

E BED SLAT



4PCS

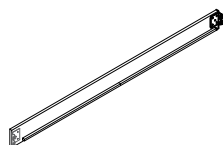
F BED SLAT SUPPORT WITH LEVELER



4PCS

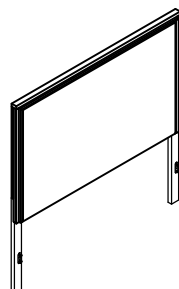
### B2 (BOX 2)

G BED RAIL



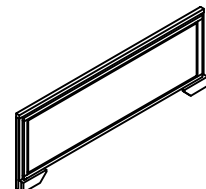
2PCS

HB 224461Q (B1)  
(FROM BOX 1)  
HEADBOARD  
COMPLETE



1PC

D 224461Q (B1)  
(FROM BOX 1)  
FOOTBOARD



1PC

# ITEM: 224461Q (B1&B2)



## ASSEMBLY INSTRUCTIONS

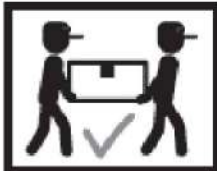
### ASSEMBLY TIPS:

- 1 . Remove hardware from box and sort by size.
- 2 . Please check to see that all hardware and parts are present prior to start of assembly.
- 3 . Please follow attached instructions in the same sequence as numbered to assure fast & easy assembly.

### WARNING !



- 1 . Don't attempt to repair or modify parts that are broken or defective. Please contact the store immediately.
- 2 . This product is for home use only and not intended for commercial establishment.



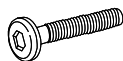
ASSEMBLY TIME

20 MINUTES

## HARDWARE IDENTIFICATION

### Z-B1 (BOX1) - HARDWARE PACK IS LOCATED IN 224461Q (B1)

1 BOLT  
(M6 x 30mm - BLK)



6PCS

4 FLAT HEAD SCREW  
(M4 x 32mm - RBW)



8PCS

2 LOCK WASHER  
(1/4" - BLK)



6PCS

5 SMALL ALLEN  
WRENCH  
(M4 x 65mm - BLK)



1PC

3 FLAT WASHER  
(1/4" x13mm - BLK)



6PCS

6 BIG ALLEN  
WRENCH  
(M5 x 65mm - BLK)



1PC

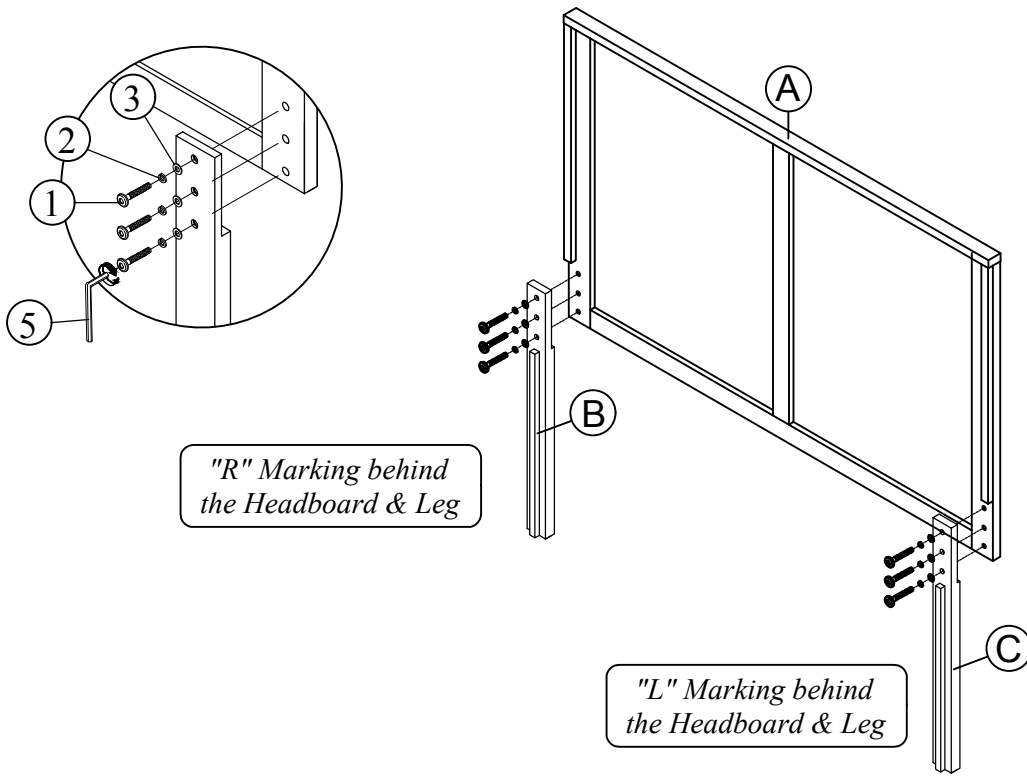
### NOTE:

Phillips head screw driver is required in the assembly process; however, manufacturer does not provide this item.

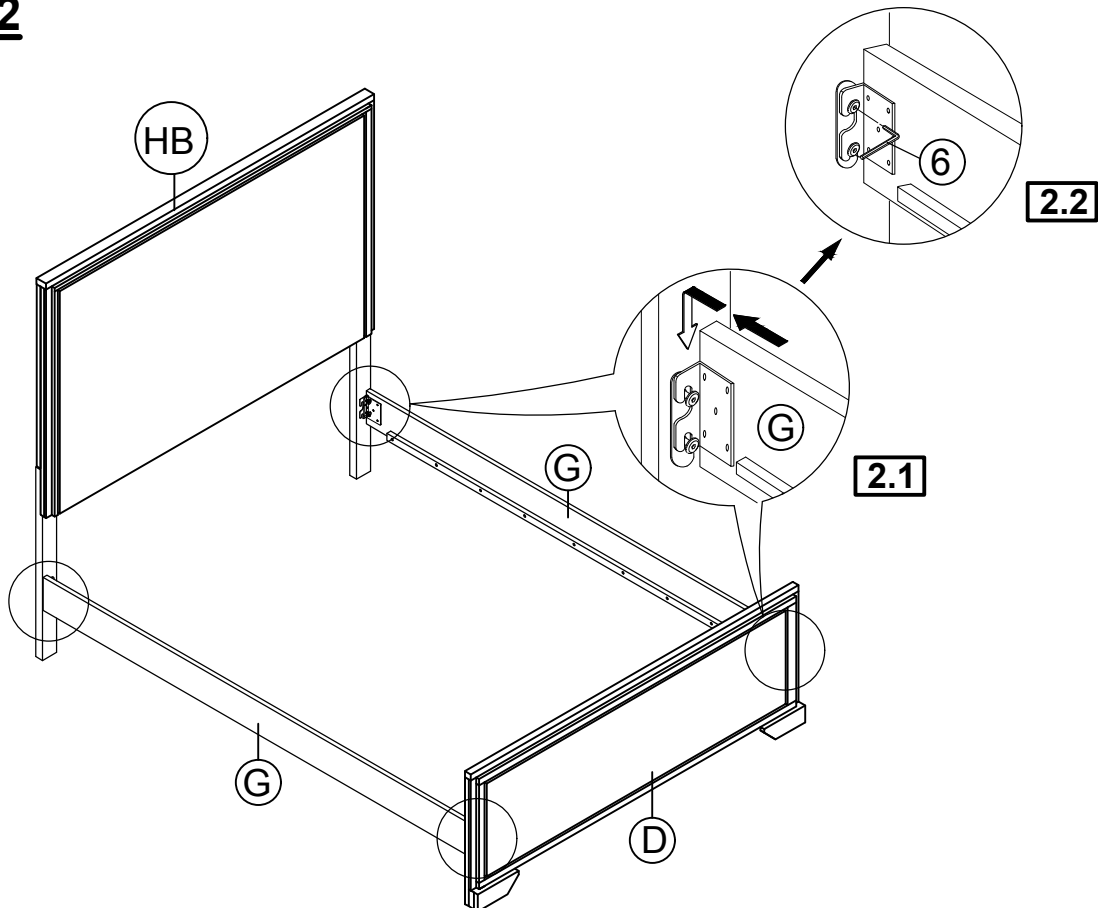
# ITEM: 224461Q (B1&B2)

## ASSEMBLY INSTRUCTIONS

### STEP 1



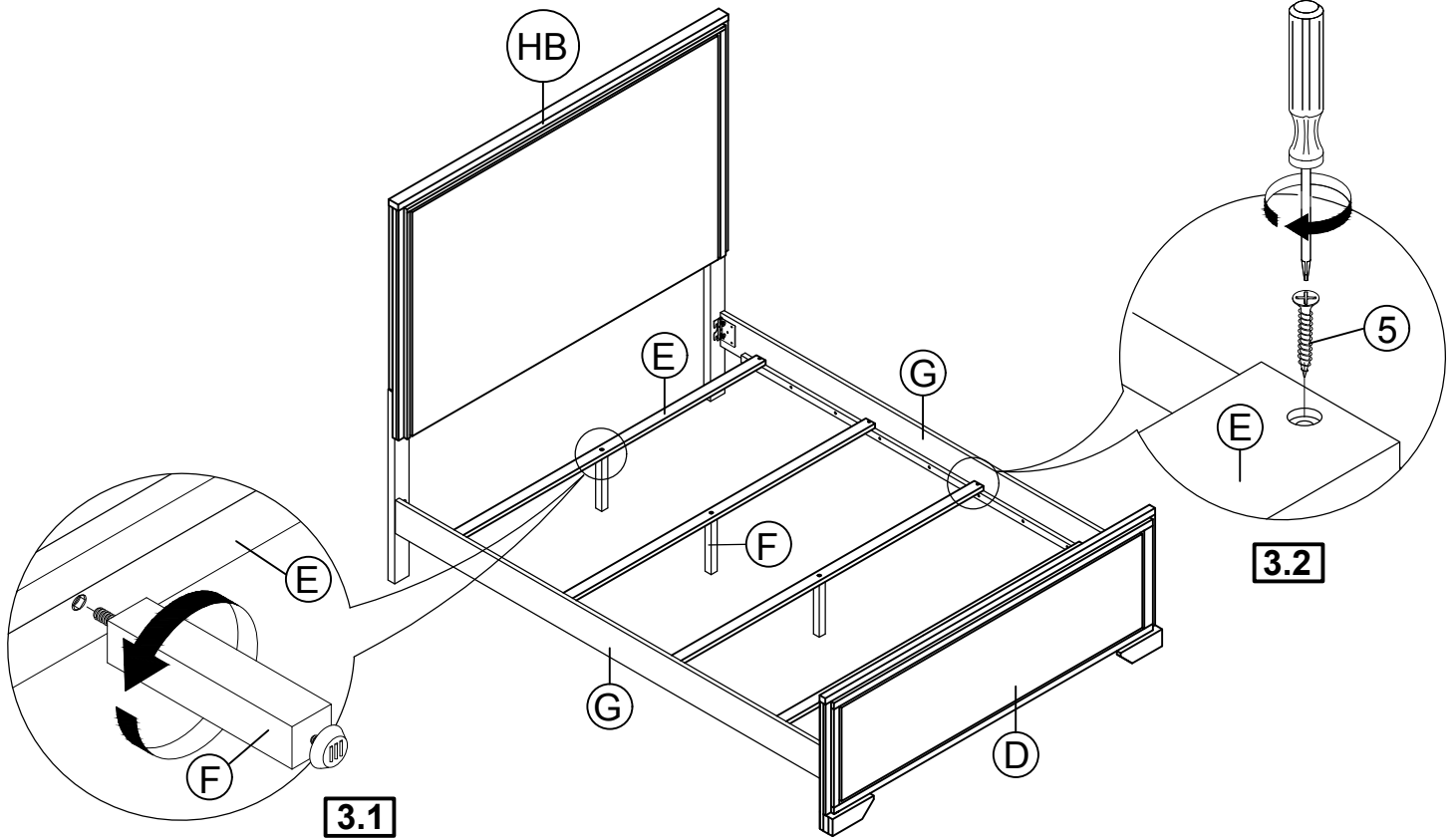
### STEP 2



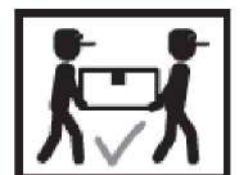
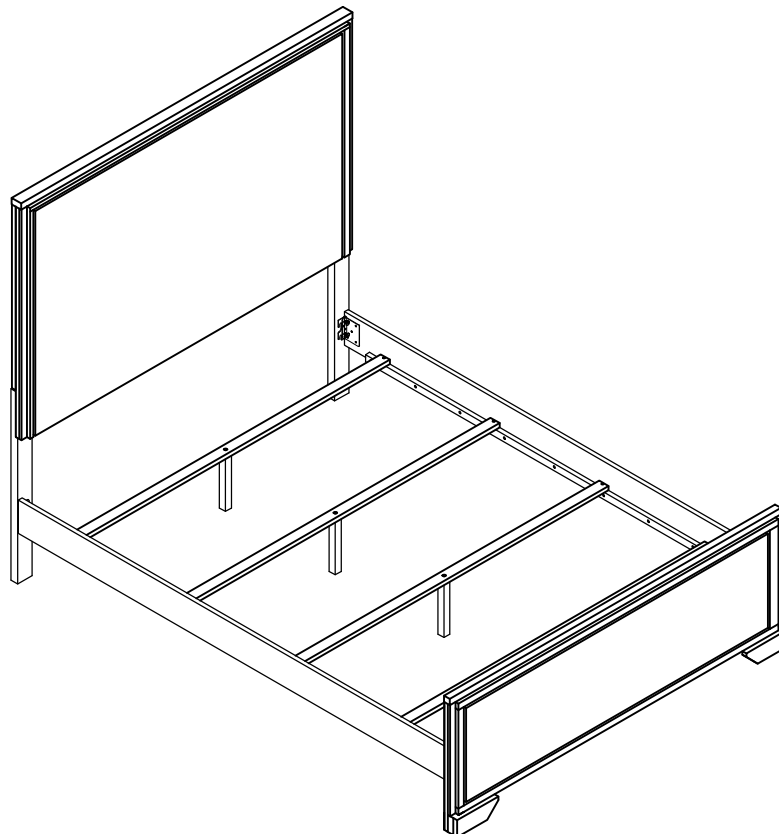
# ITEM: 224461Q (B1&B2)

## ASSEMBLY INSTRUCTIONS

### STEP 3



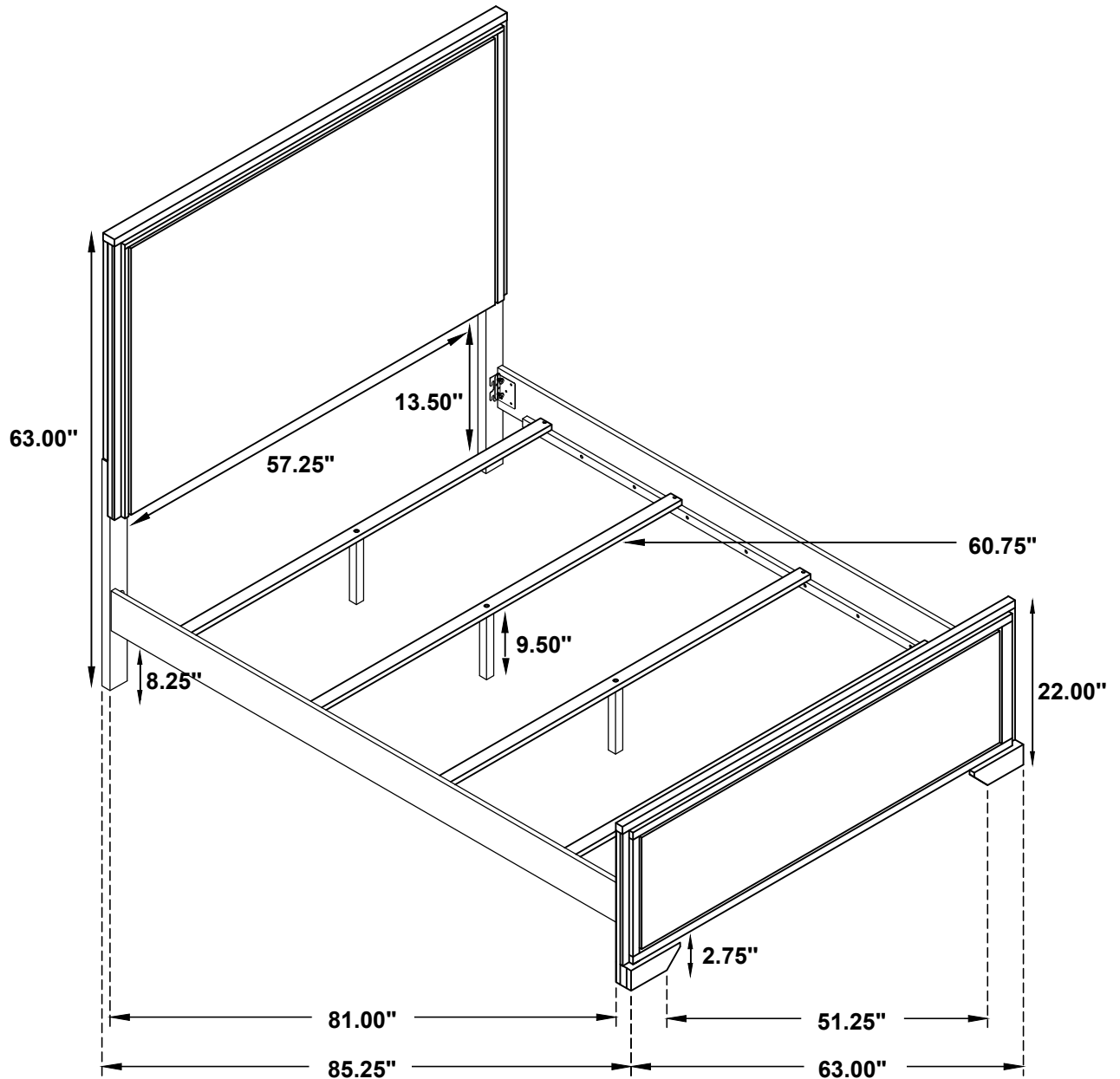
### STEP 4 COMPLETE



# ITEM: 224461Q (B1&B2)



Inner Size : 60.75"W X 81.00"D



Note: Dimension tolerance  $\pm 5\%$