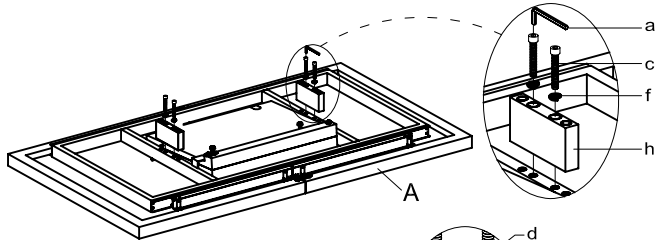




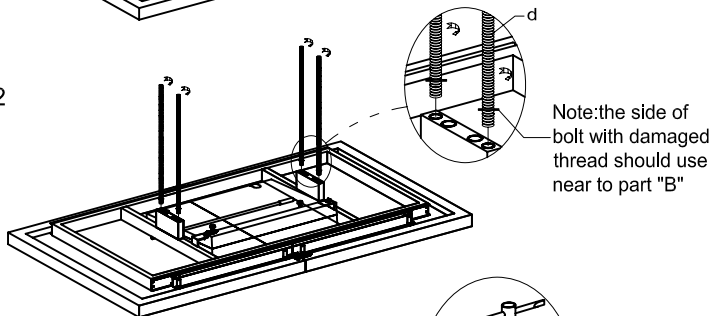
THANK YOU FOR PURCHASING THIS QUALITY PRODUCT.

BE SURE TO CHECK ALL PACKING MATERIAL CAREFULLY FOR SMALL PARTS THAT MAY HAVE COME LOOSE INSIDE THE CARTON DURING TRANSIT.

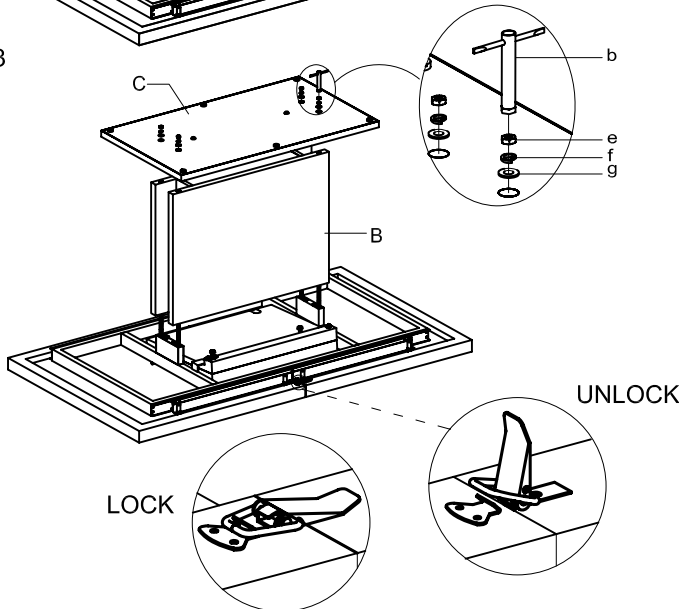
STEP 1



STEP 2



STEP 3



PART LIST

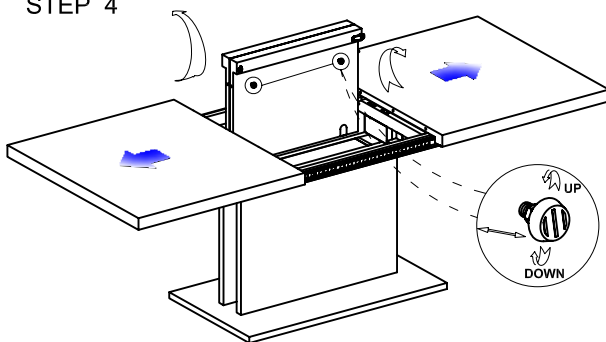
NO	DESC	SIZE (MM)	SKETCH	QTY
A	Top	1600x900x156		1PC
B	Center Pillar	750x150x560		1PC
C	Base	950x550x32		1PC

HARDWARE LIST

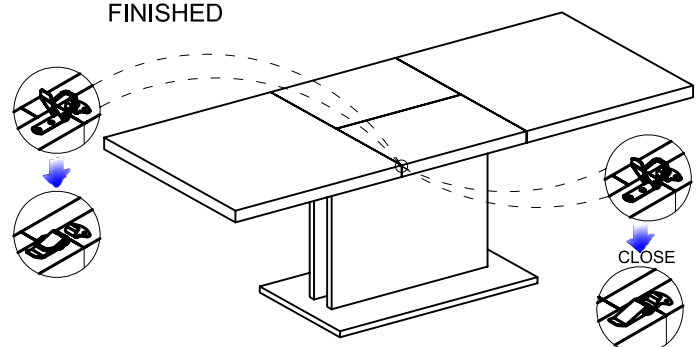
NO	DESC	SIZE (MM)	SKETCH	QTY
a	ALLEN KEY	6MM		1PC
b	SPANNER	14#		1PC
c	SCREW	M8x80		4PCS
d	BOLT	M8x676		4PCS
e	NUT	M8		4PCS
f	SPRING	Ø13xØ8X2.5		8PCS
g	WASHER	Ø17xØ8X1.5		4PCS
h	Connecting Box	25x152x75		2PCS

AFTER ASSEMBLED THE LEGS TO THE TABLE TOP, MAKE SURE THE LATCH ARE LOCKED BEFORE TURNING THE TABLE UPSIDE UP.

STEP 4



FINISHED

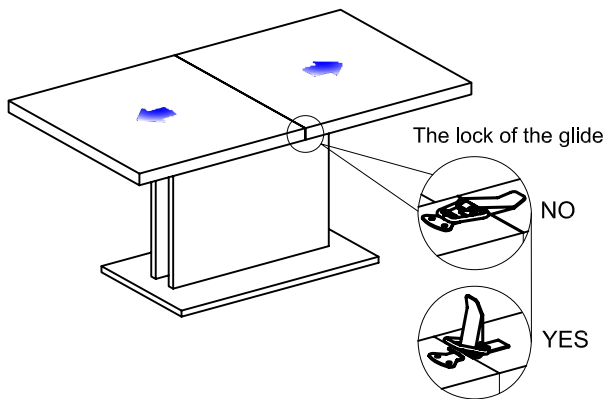


Please adjust the glides under the extension if the top is not leveled well.

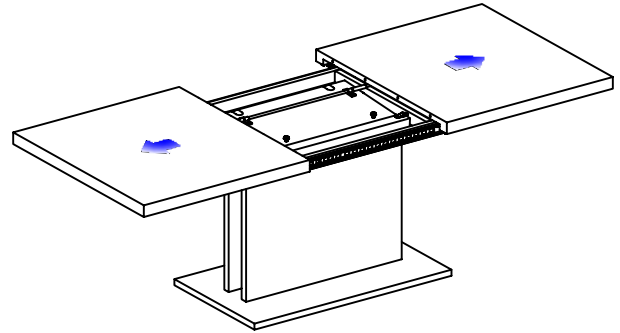
MADE IN CHINA

# USER MANUAL

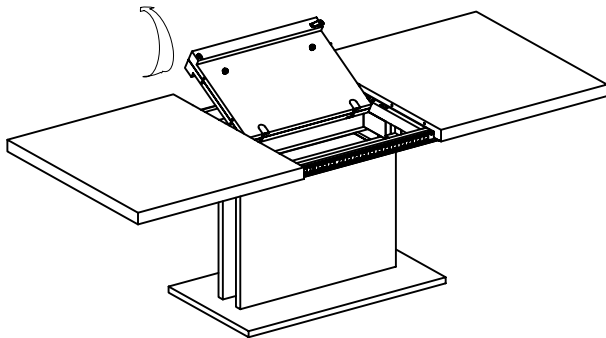
1. Open the lock of the glide before spread the table top both sides



2. Spread the table top

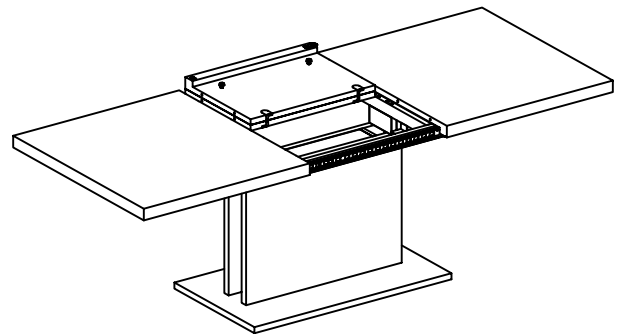


3. Please gently hold the 2 leaves together to turn over

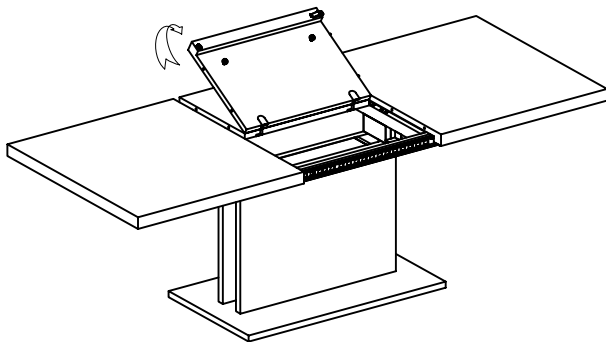


**ATTENTION:**  
Do not attempt to turn  
with a single leaf as this  
will cause damages.

4. Put the two leaves on one side



5. Open one leaf to the other side



6. Lock the glide after closing the table top

