



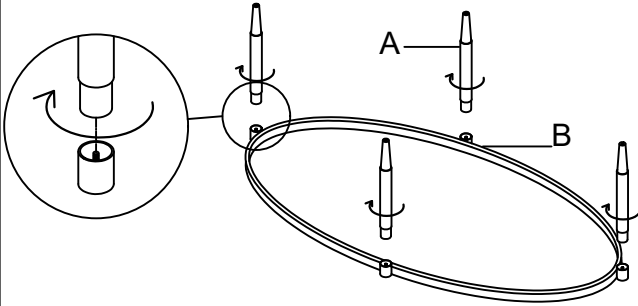
Chintaly Imports

# ASSEMBLY INSTRUCTION ITEM NO: DENALI-CT-OVL

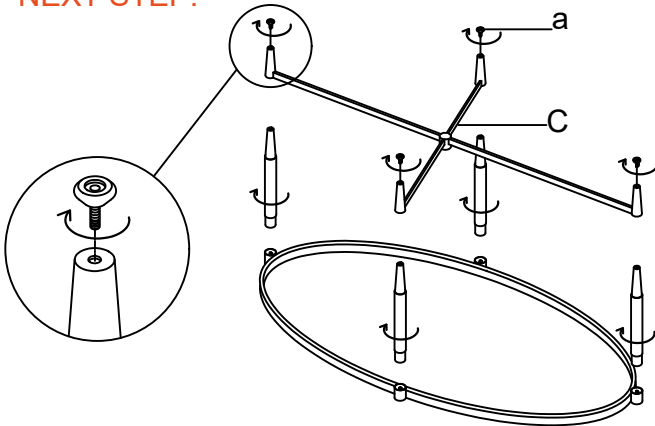
THANK YOU FOR PURCHASING THIS QUALITY PRODUCT  
BE SURE TO CHECK ALL PACKING MATERIAL CAREFULLY FOR SMALL PARTS THAT MAY HAVE COME LOOSE INSIDE  
THE CARTON DURING TRANSIT.

THIS TABLE REQUIRES 2 PEOPLE TO ASSEMBLE.

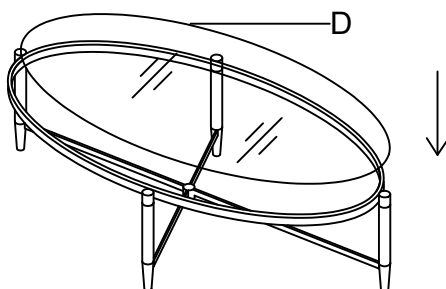
## STEP1



STEP2: MAKE SURE TO PRESS ACRYLIC  
POLES EVENLY INTO THE BASE FRAME,  
AND ALL THE TAPERED ACRYLIC ENDS  
SHOULD BE SUNK INTO THE BASE FRAME.  
SCREW ON THE ADJUSTABLE GLIDES AS  
NEXT STEP.



## STEP3



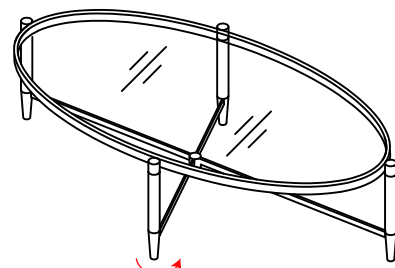
## PART LIST

NO	DESC	SIZE (MM)	SKETCH	QTY
A	LEG	Ø40*395		4 PC
B	TOP FRAME	1219*711*47		1 PC
C	BASE FRAME	1219*711*120		1 PC
D	GLASS	1119*611*10		1 PC

## HARDWARE LIST

NO	DESC	SIZE (MM)	SKETCH	QTY
a	glide	Ø25*25*m8		4 PC

## FINISHED



ADJUST THE GLIDES  
TO LEVEL THE TABLE IF NEEDED.