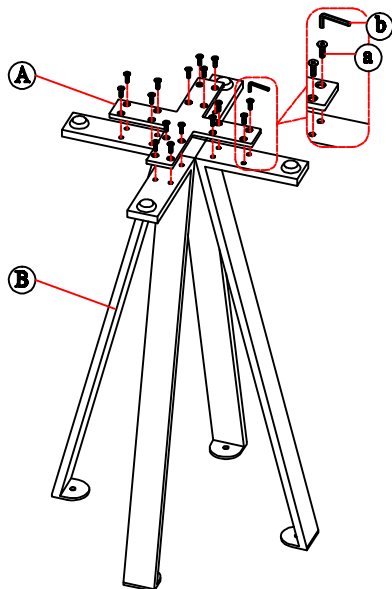
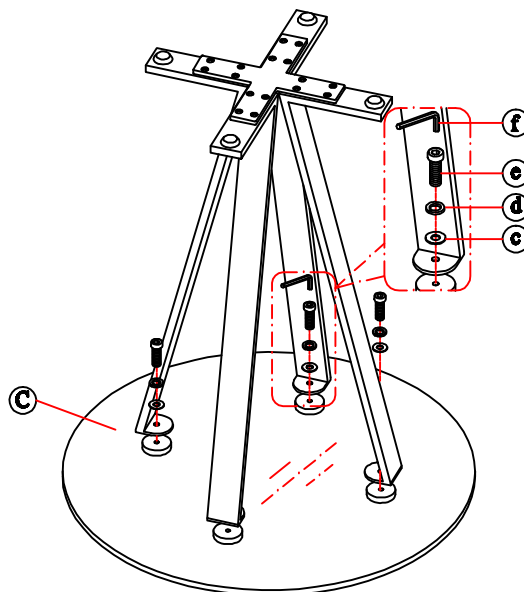




Step 1



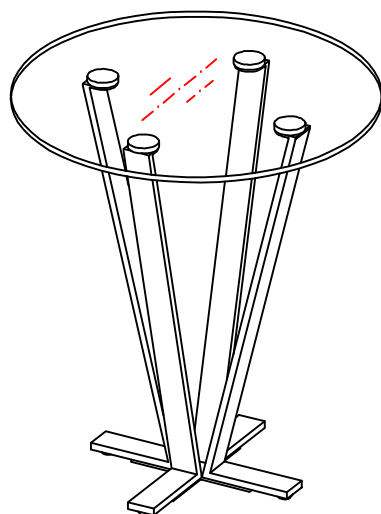
Step 2



PARTS LIST:

NO	DESCRIPTION	SKETCH	QTY
A	SUPPORT		1PC
B	LEG		4PCS
C	GLASS		1PC

FINISH



PLEASE ADJUST THE GLIDES
IF THE TABLE IS NOT
BALANCED WELL.

HARDWARE LIST:

NO	DESCRIPTION	SKETCH	QTY
a	SMALL BOLT		16PCS
b	ALLEN KEY 4mm		1PC
c	WASHER		4PCS
d	SPRING WASHER		4PCS
e	LARGE BOLT		4PCS
f	ALLEN KEY 5mm		1PC