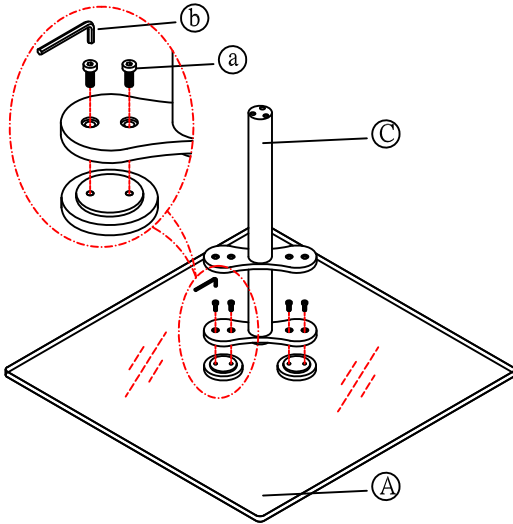




THANK YOU FOR PURCHASING THIS QUALITY PRODUCT.  
BE SURE TO CHECK ALL PACKING MATERIAL CAREFULLY FOR SMALL PARTS THAT MAY HAVE COME LOOSE INSIDE THE CARTON DURING TRANSIT.

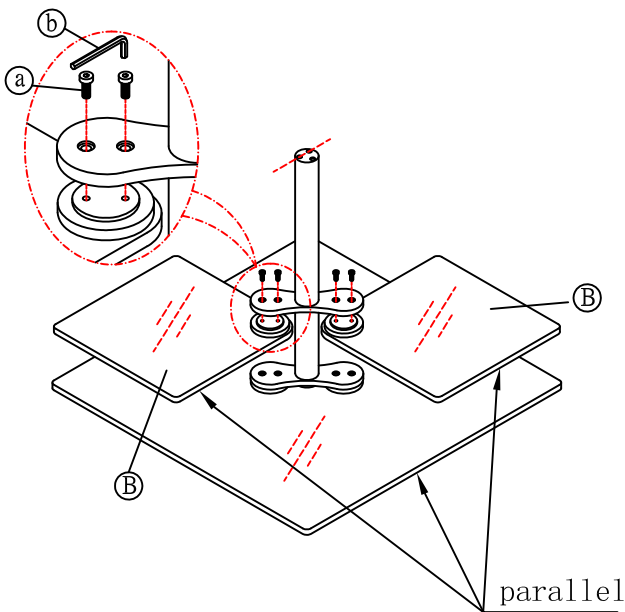
### Step 1



#### PARTS LIST:

NO	DESCRIPTION	SIZE(mm)	SKETCH	QTY
A	GLASS TOP	610*610*†12		1PC
B	GLASS SHELF	295*295*†10		2PCS
C	POLE	490*202*70		1PC
D	GLASS BASE	400*400*†12		1PC

### Step 2

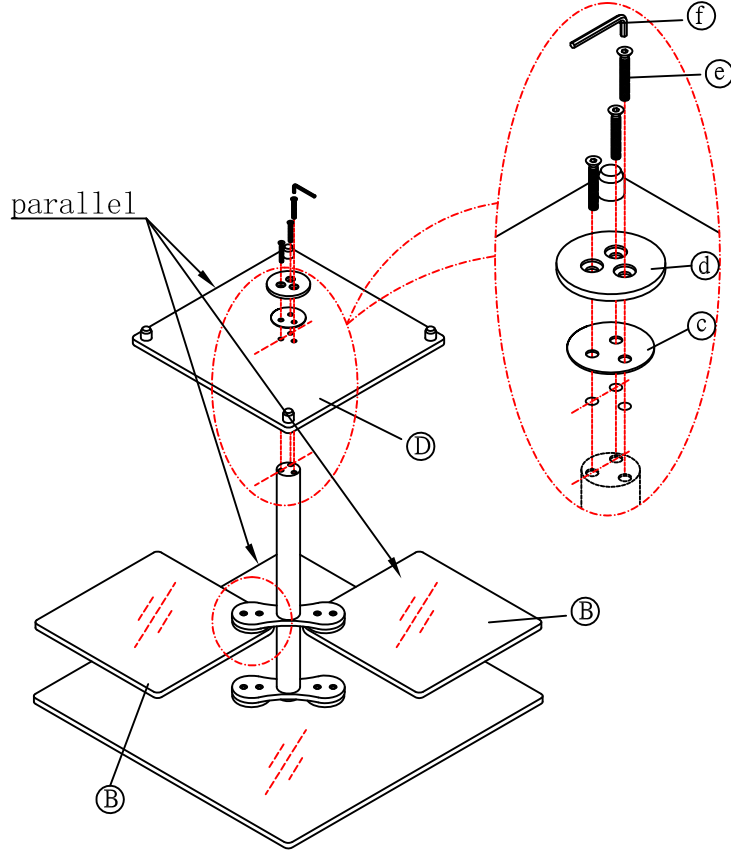


#### HARDWARE LIST

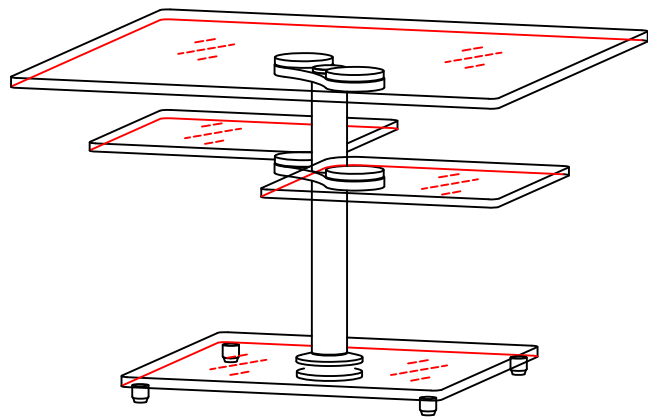
NO	DESCRIPTION	SIZE(mm)	SKETCH	QTY
a	SHORT BOLT	M6*10		8PCS
b	ALLEN KEY	5		1PC
c	GASKET	Φ 70*†1.0		1PC
d	METAL PLATE	Φ 78*†6.0		1PC
e	LONG BOLT	M6*35		3PCS
f	ALLEN KEY	4		1PC



### Step 3



### FINISH



PLEASE ADJUST THE GLIDES  
IF THE TABLE IS NOT  
BALANCED WELL.