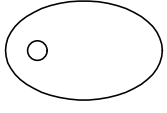
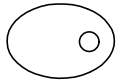
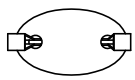
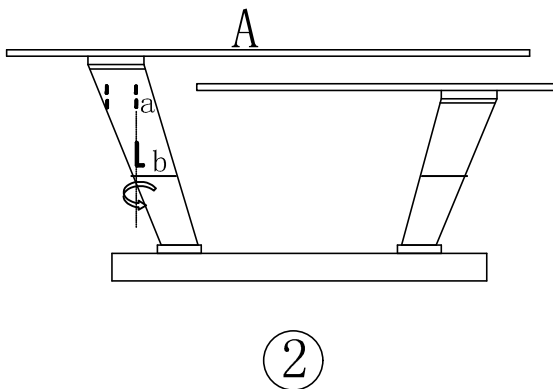
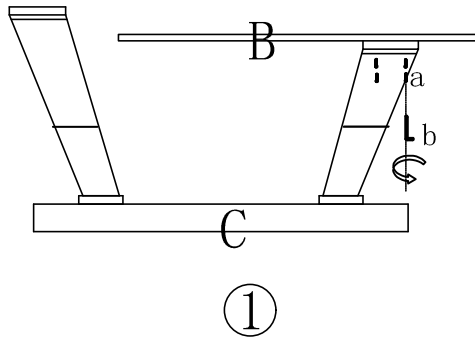


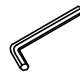


Part List

NO	DESC	SKETCH	QTY
A	Top		1PC
B	Extension		1PC
C	Base		1PC



Hardware List

NO	DESC	SKETCH	QTY
a	Screw		4 pcs
b	#5 Allen Key		1 pc
c	#3 Allen Key		1 pc

