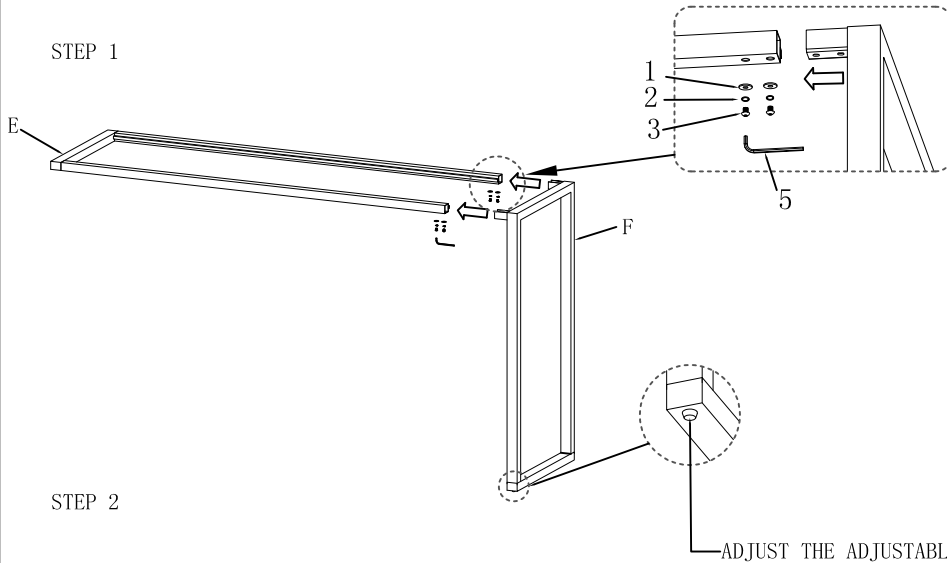


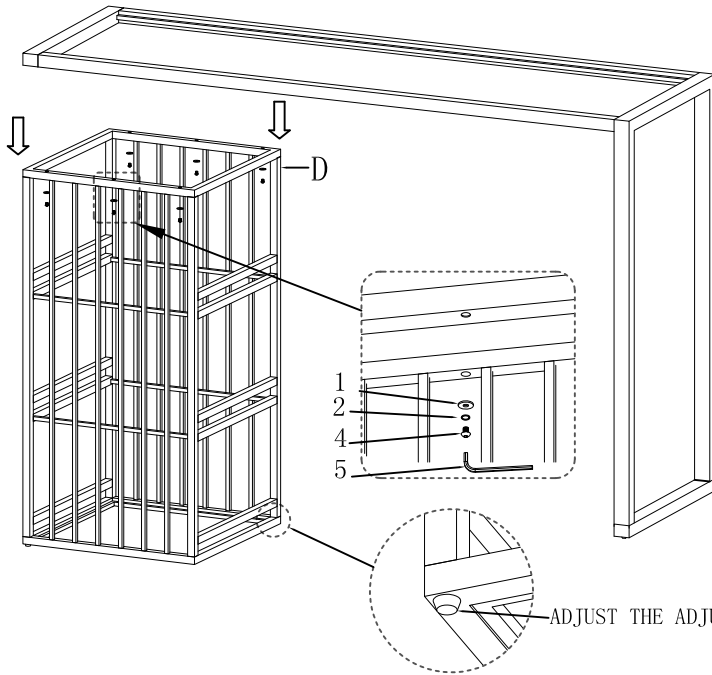


THANK YOU FOR PURCHASING THIS QUALITY PRODUCT.  
BE SURE TO CHECK ALL PACKING MATERIAL CAREFULLY FOR SMALL PARTS THAT MAY HAVE COME LOOSE INSIDE THE CARTON DURING TRANSIT.



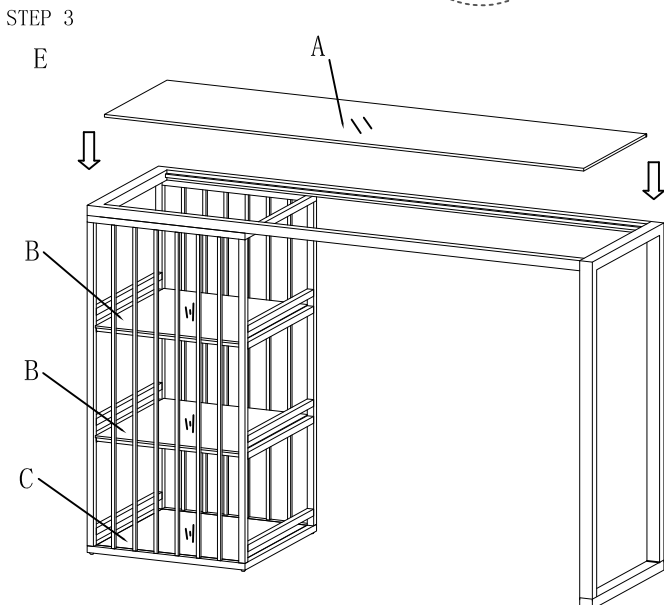
PART LIST

NO.	DESC	Size (mm)	SKETCH	QTY
A		1518*438*8mm	Glass	2
B		458*478*6mm	Glass	2
C		458*458*6mm	Glass	1
D		500*500*1010mm	Shelf	1
E		500*500*1010mm	Shelf	1
F		500*500*1010mm	Shelf	1



HARDWARE LIST

NO.	DESC	Size (mm)	SKETCH	QTY
1		Ø16*Ø6*1.5mm	Flat Washer	10
2		M6*1mm	Spring washer	10
3		M6*10mm	Bolt	4
4		M6*25mm	Bolt	6
5		4mm	Allen Key	1



FINISHED

