

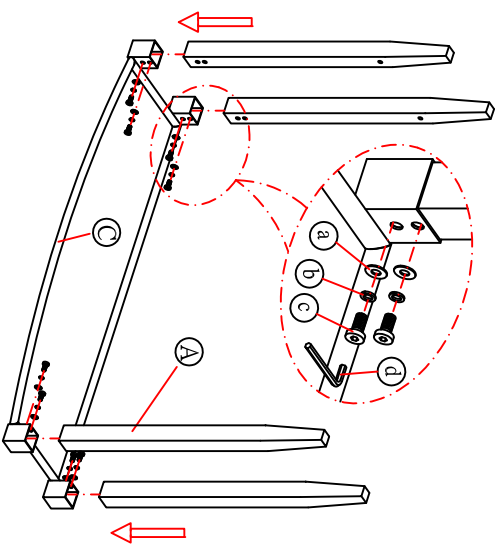


Chintaly Imports

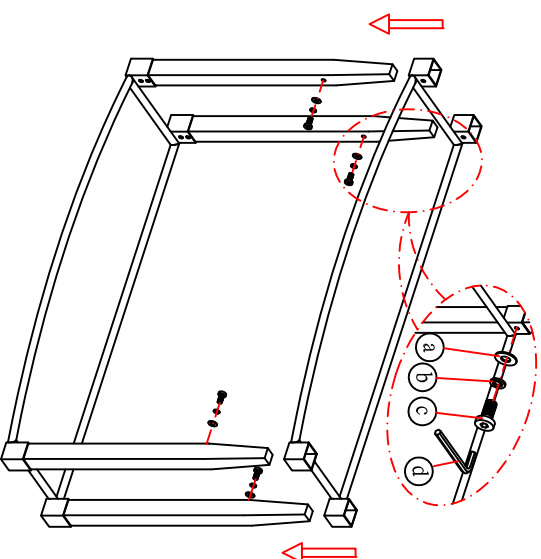
ASSEMBLY INSTRUCTION
ITEM NO.: 4038-ST

THANK YOU FOR PURCHASING THIS QUALITY PRODUCT.
BE SURE TO CHECK ALL PACKING MATERIAL CAREFULLY FOR SMALL PARTS THAT MAY HAVE COME LOOSE INSIDE THE CARTON DURING TRANSIT.

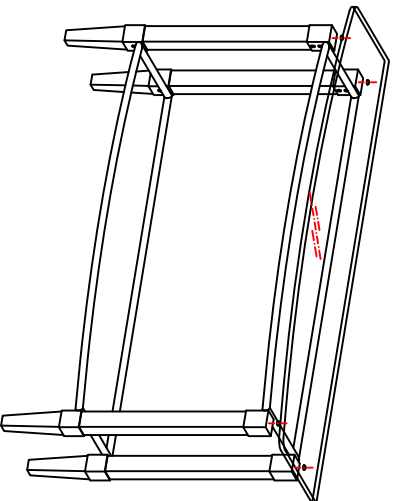
Step 1



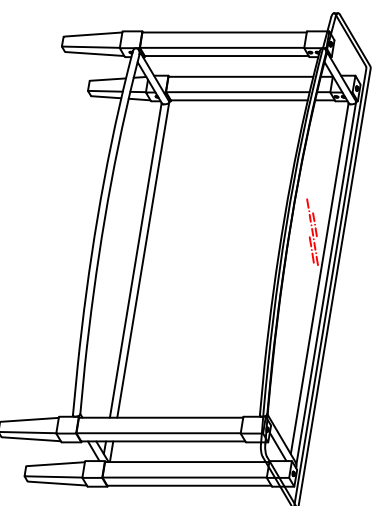
Step 2



Step 3



FINISH



PARTS LIST:

NO	DESCRIPTION	SIZE(mm)	SKETCH	QTY
A	POLE	4.6*4.6		4PCS
B	DECORATION RING	54.0*54.0		1PC
C	APRON	54.0*54.0		1PC
D	GLASS TOP	φ600*110		1PC

HARDWARE LIST:

NO	DESCRIPTION	SIZE(mm)	SKETCH	QTY
a	WASHER	φ8.5		12PCS
b	SPRING WASHER	φ8.5		12PCS
c	BOLT	M8X15		12PCS
d	ALLEN KEY	5		1PC
e	SUCKER	φ12*3		4PCS

MADE IN CHINA