

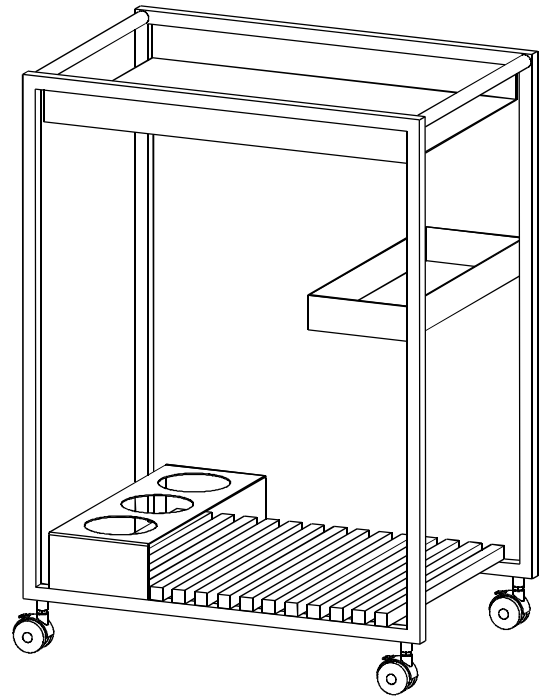
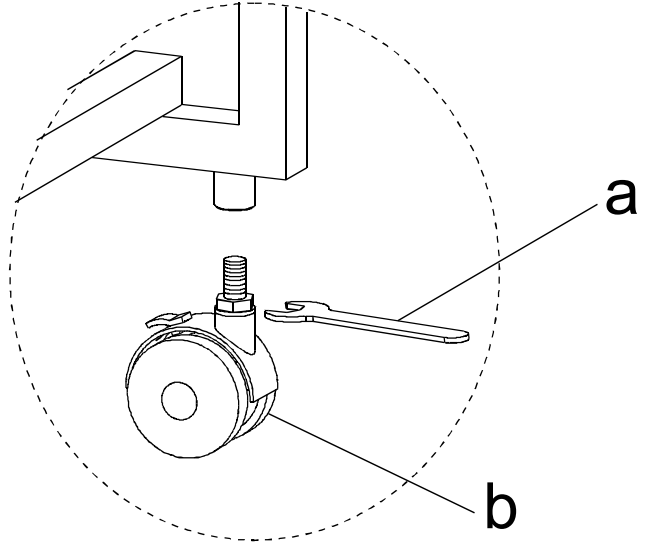
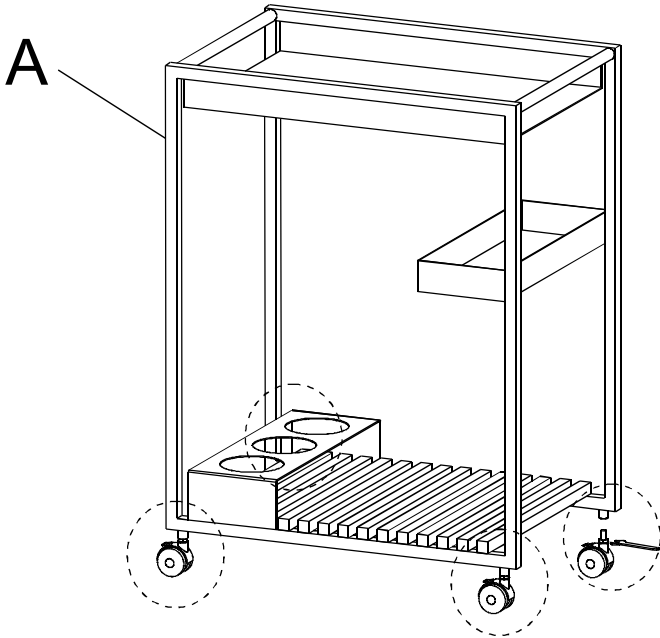


Chintaly Imports.

ASSEMBLY INSTRUCTION

ITEM NO.: 3030-TC

THANK YOU FOR PURCHASING THIS QUALITY PRODUCT.  
BE SURE TO CHECK ALL PACKING MATERIAL CAREFULLY FOR SMALL PARTS  
THAT MAY HAVE COME LOOSE INSIDE THE CARTON DURING TRANSIT.



PART LIST

NO.	DESC	SIZE(MM)	SKETCH	QTY
A		600*400*765		1PC

HARDWARE LIST

NO.	DESC	SIZE	SKETCH	QTY
a	wheel	2"		4PCS
b	wrencher	14mm		1PC

MADE IN CHINA