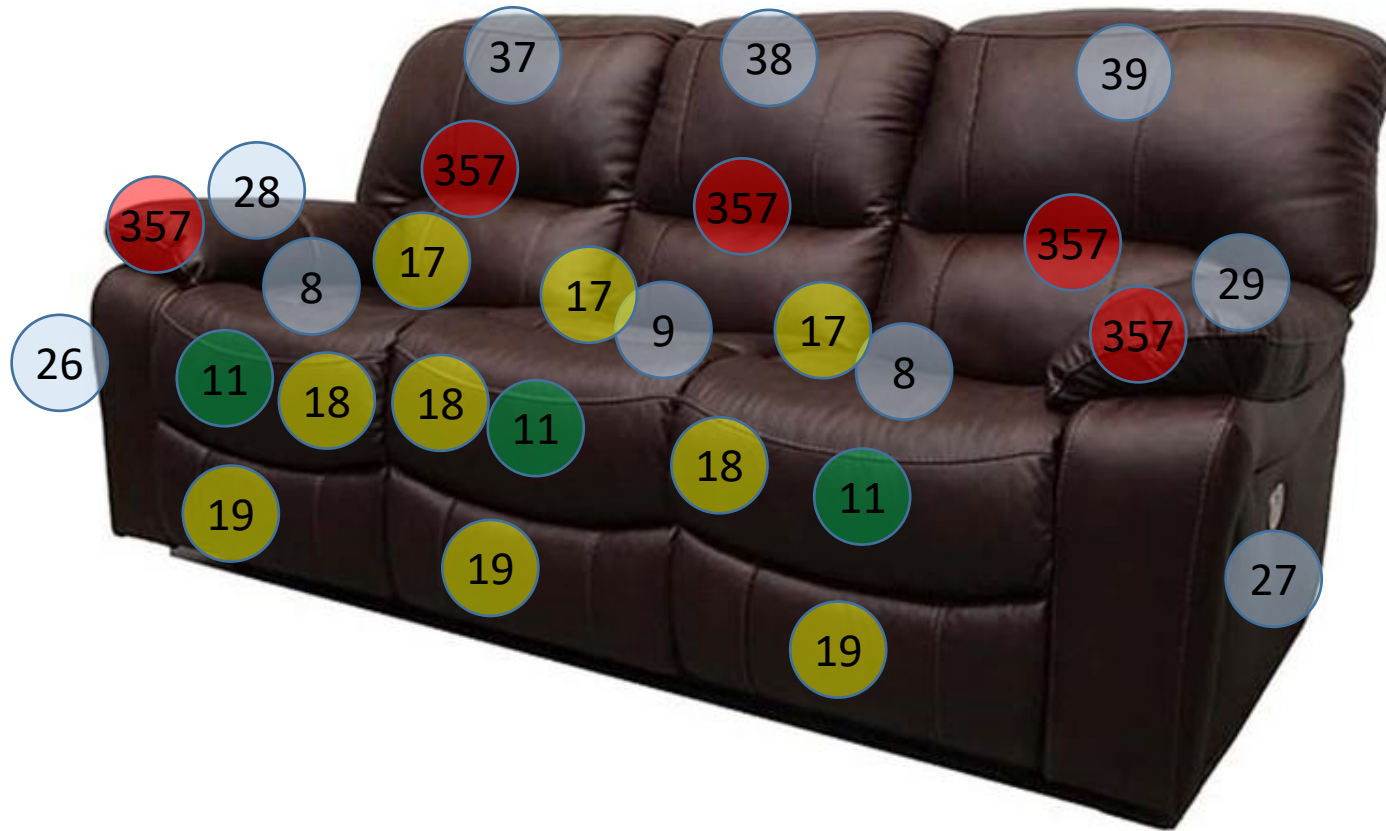


U4380887



Call Out	Description
● (Red)	Blown Fiber
● (Yellow)	Cushion Chaise Pad - top Pad
● (Green)	Cushion Foam
● (Yellow)	KD Component
● (Light Blue)	Cover

Signature
DESIGN
BY **ASHLEY**®



425



108



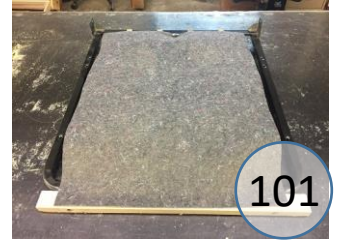
149



426



547



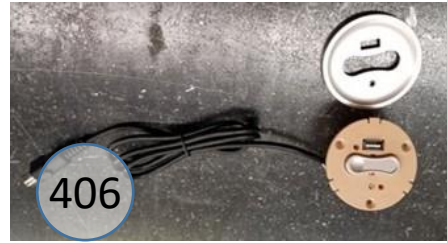
101



157



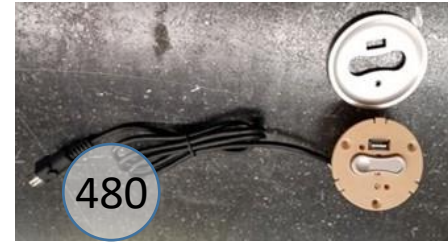
145



406



520



480



419



399



105



134



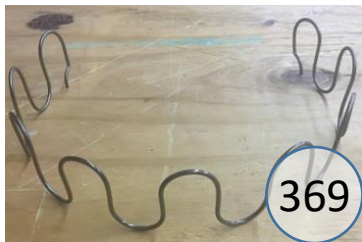
440



216



217



369



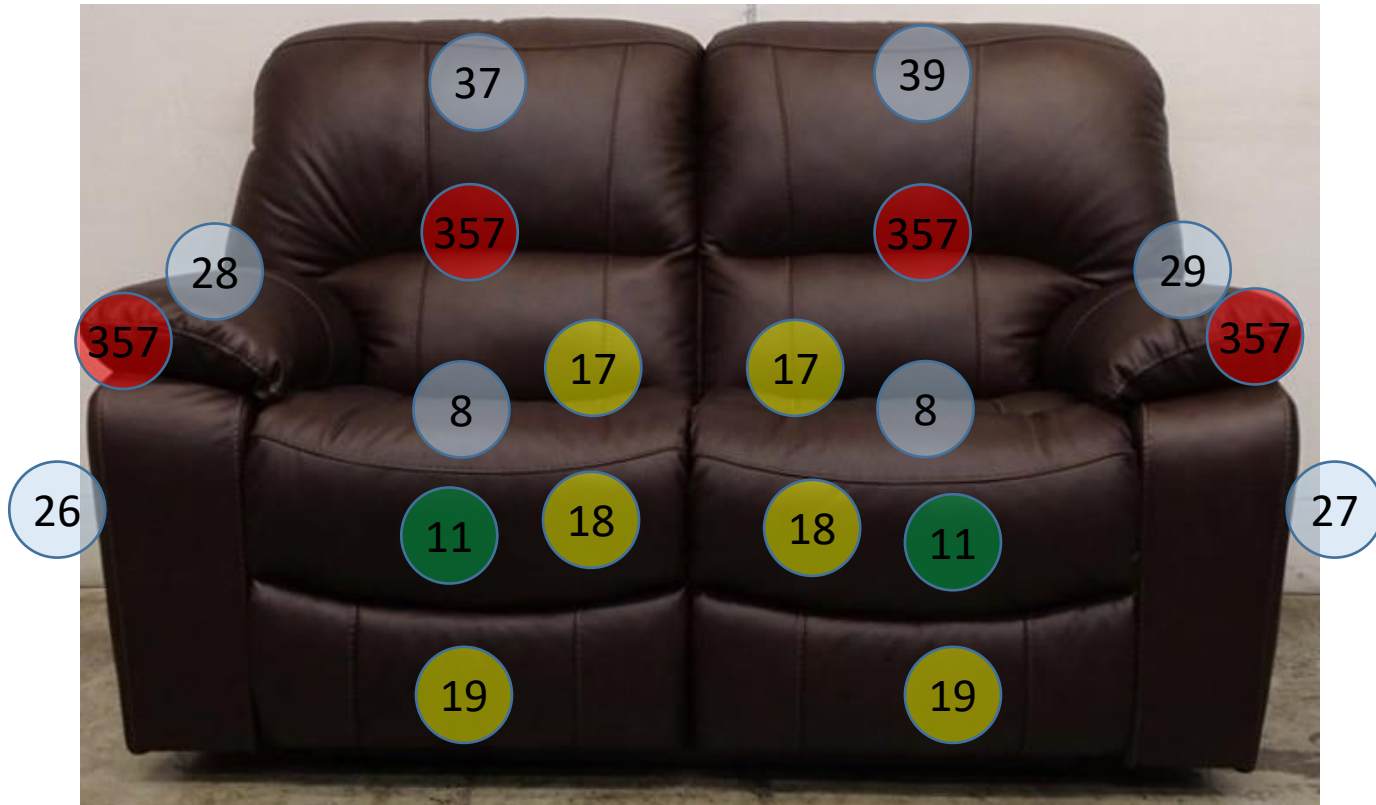
365



109

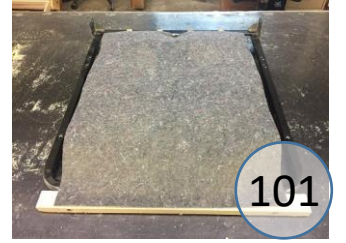
Signature
DESIGN
BY ASHLEY®

U4380874



Call Out	Description
● (Red)	Blown Fiber
● (Yellow)	Cushion Chaise Pad - top Pad
● (Green)	Cushion Foam
● (Yellow)	KD Component
● (Blue)	Cover

Signature
DESIGN
BY **ASHLEY**®

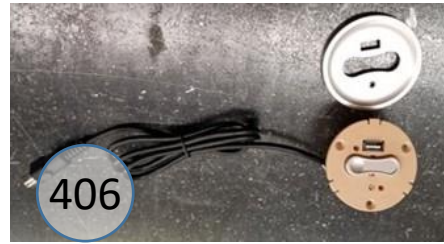
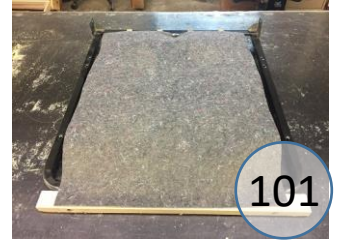


U4380898



Call Out	Description
●	Blown Fiber
●	Cushion Chaise Pad - top Pad
●	Cushion Foam
●	KD Component
●	Cover

Signature
DESIGN
BY **ASHLEY**®



Signature
DESIGN
BY **ASHLEY**®

U4380987



Call Out	Description
● (Red)	Blown Fiber
● (Yellow)	Cushion Chaise Pad - top Pad
● (Green)	Cushion Foam
● (Yellow)	KD Component
● (Blue)	Cover

Signature
DESIGN
BY **ASHLEY**®



425



108



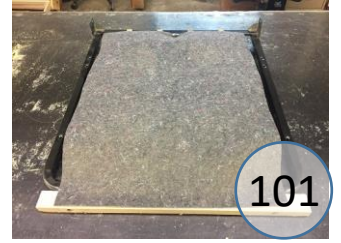
149



426



547



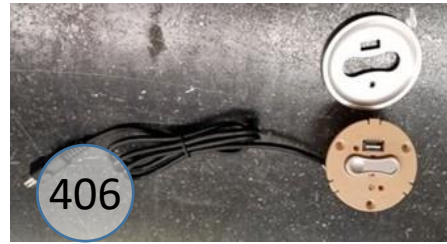
101



157



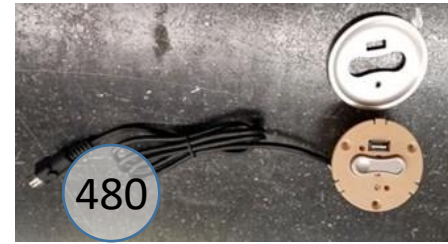
145



406



520



480



419



399



105



134



440



216



217



369



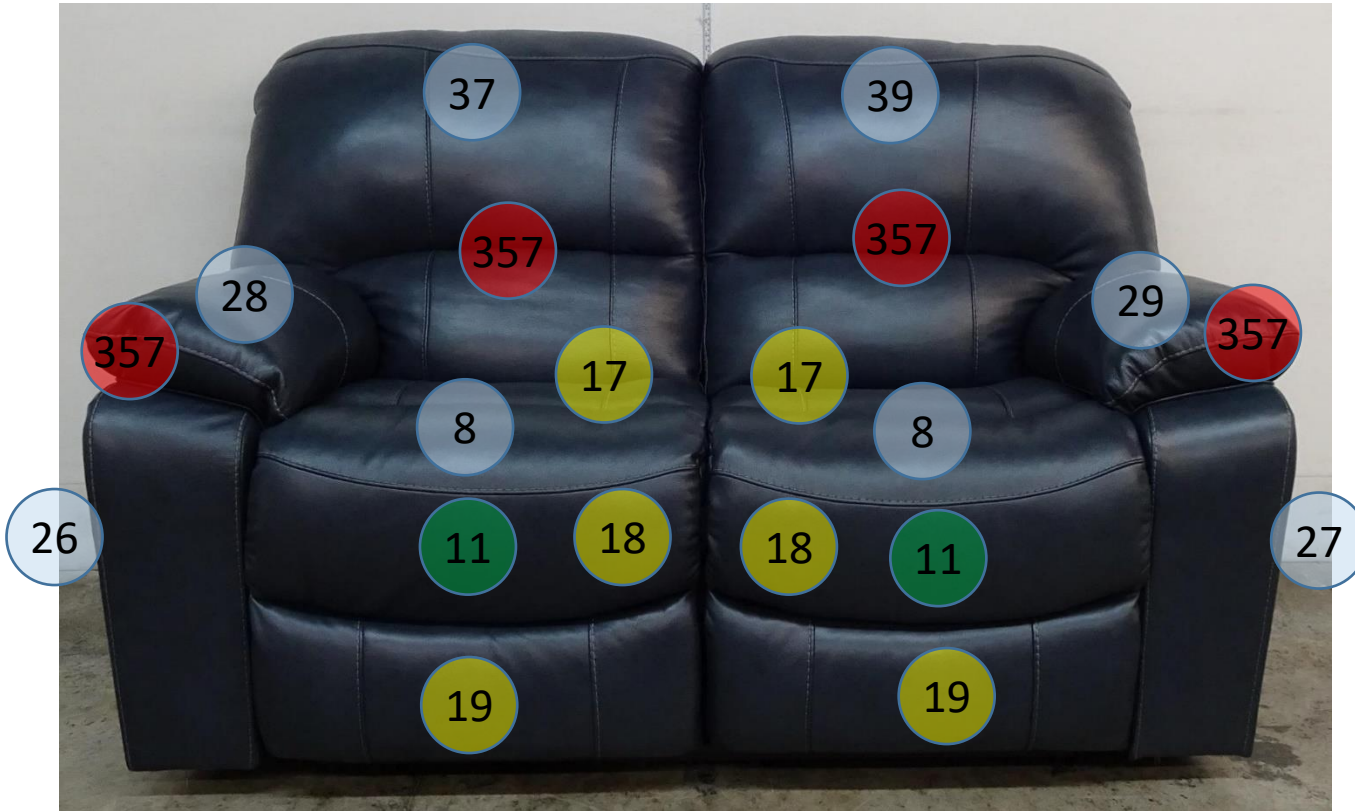
365



109

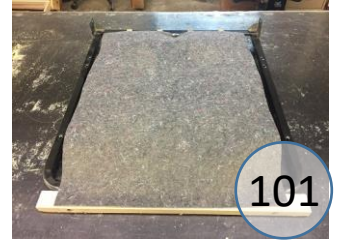
Signature
DESIGN
BY ASHLEY®

U4380974



Call Out	Description
● (Red)	Blown Fiber
● (Yellow)	Cushion Chaise Pad - top Pad
● (Green)	Cushion Foam
● (Orange)	KD Component
● (Blue)	Cover

Signature
DESIGN
BY **ASHLEY**®

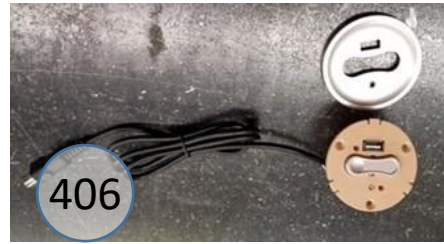
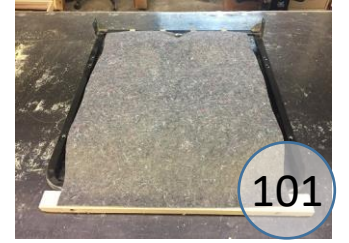


U4380998



Call Out	Description
●	Blown Fiber
●	Cushion Chaise Pad - top Pad
●	Cushion Foam
●	KD Component
●	Cover

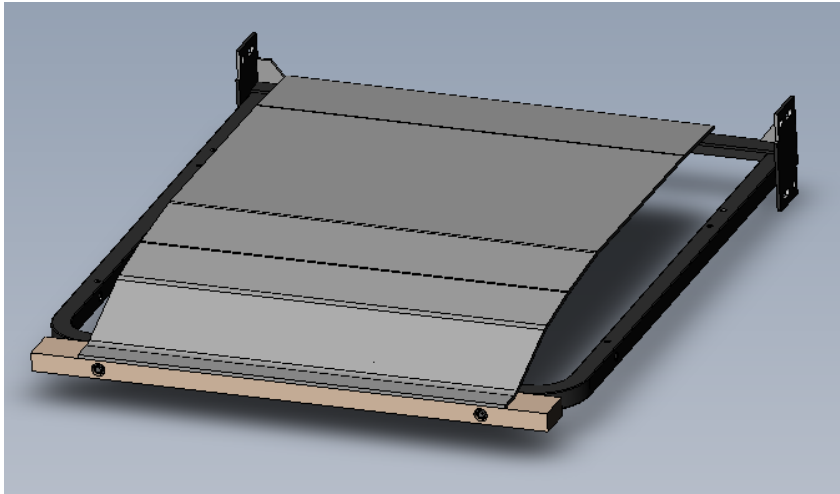
Signature
DESIGN
BY **ASHLEY**®



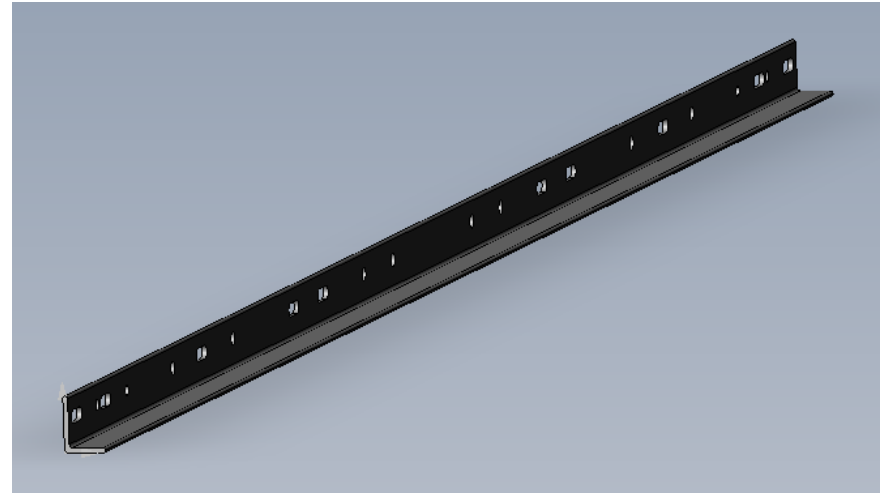
Signature
DESIGN
BY **ASHLEY**®

Replaceable Parts

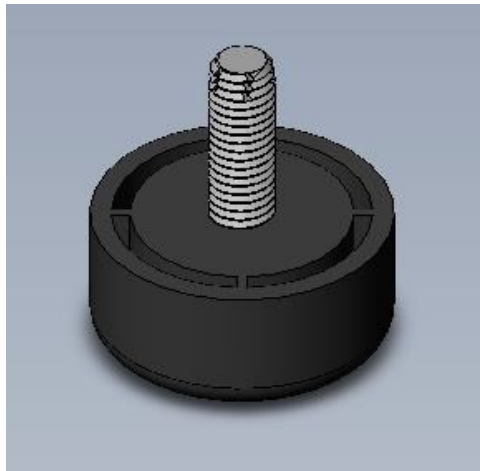
101



105

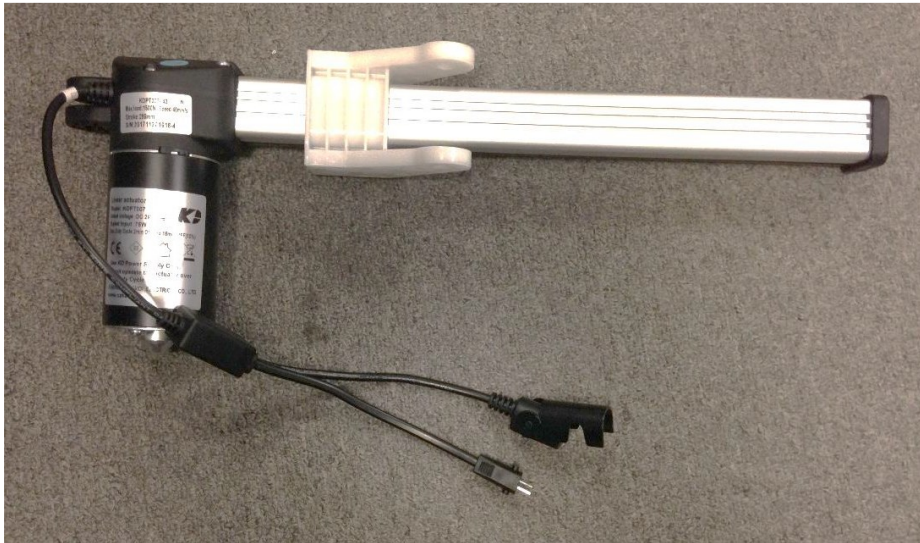


134



Replaceable Parts

145



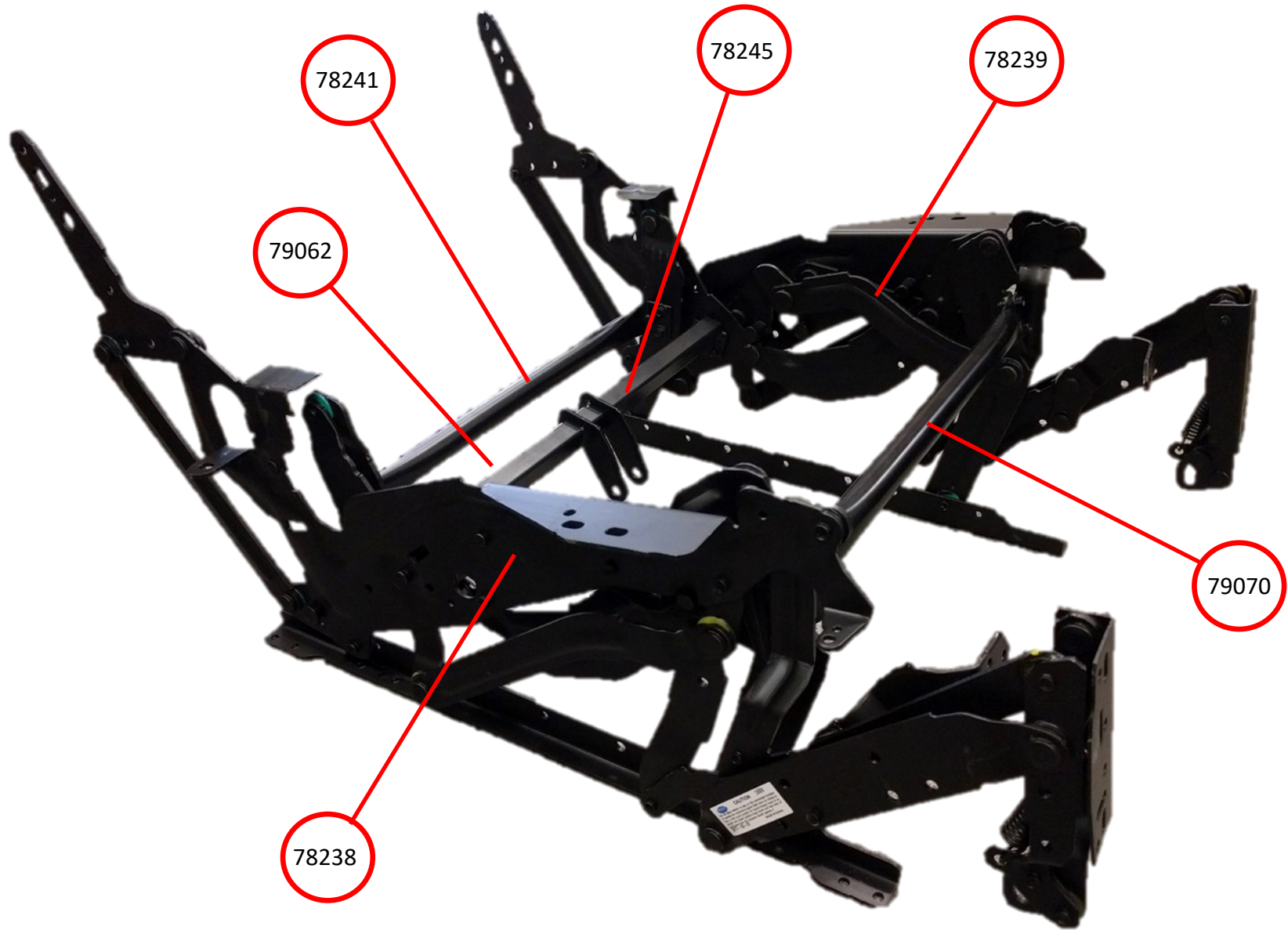
406



157

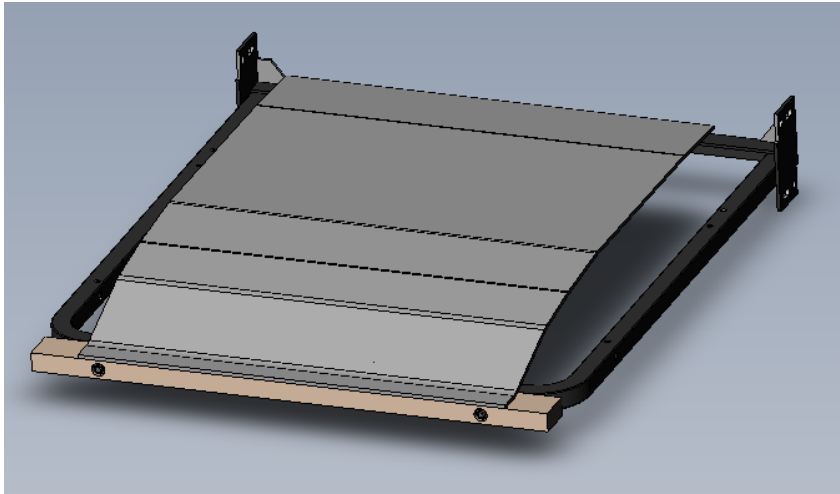


Replaceable Parts

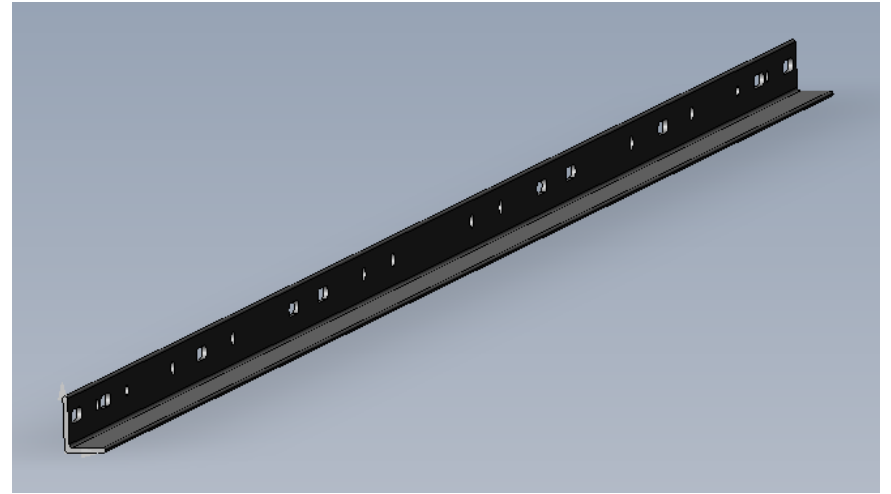


Replaceable Parts

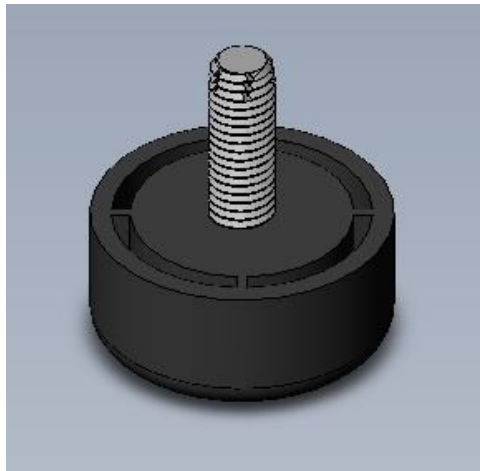
101



105

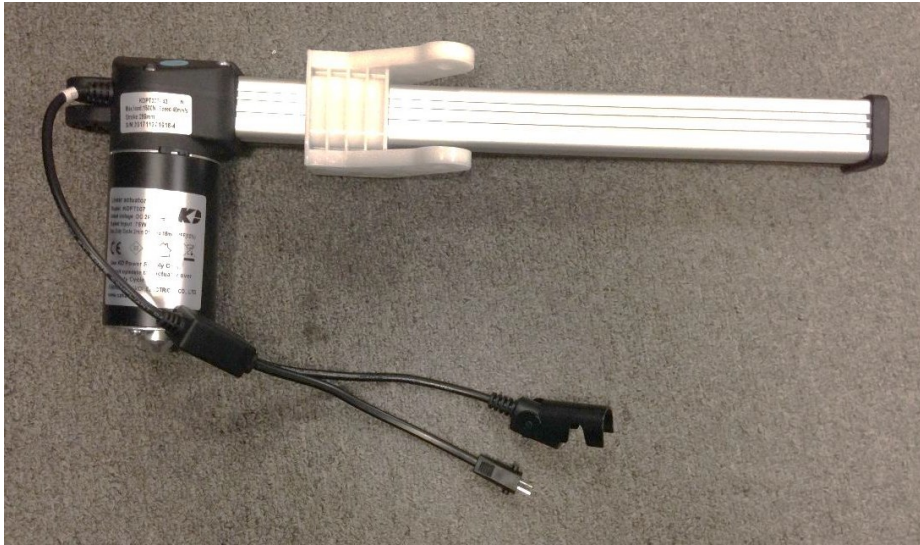


134



Replaceable Parts

145



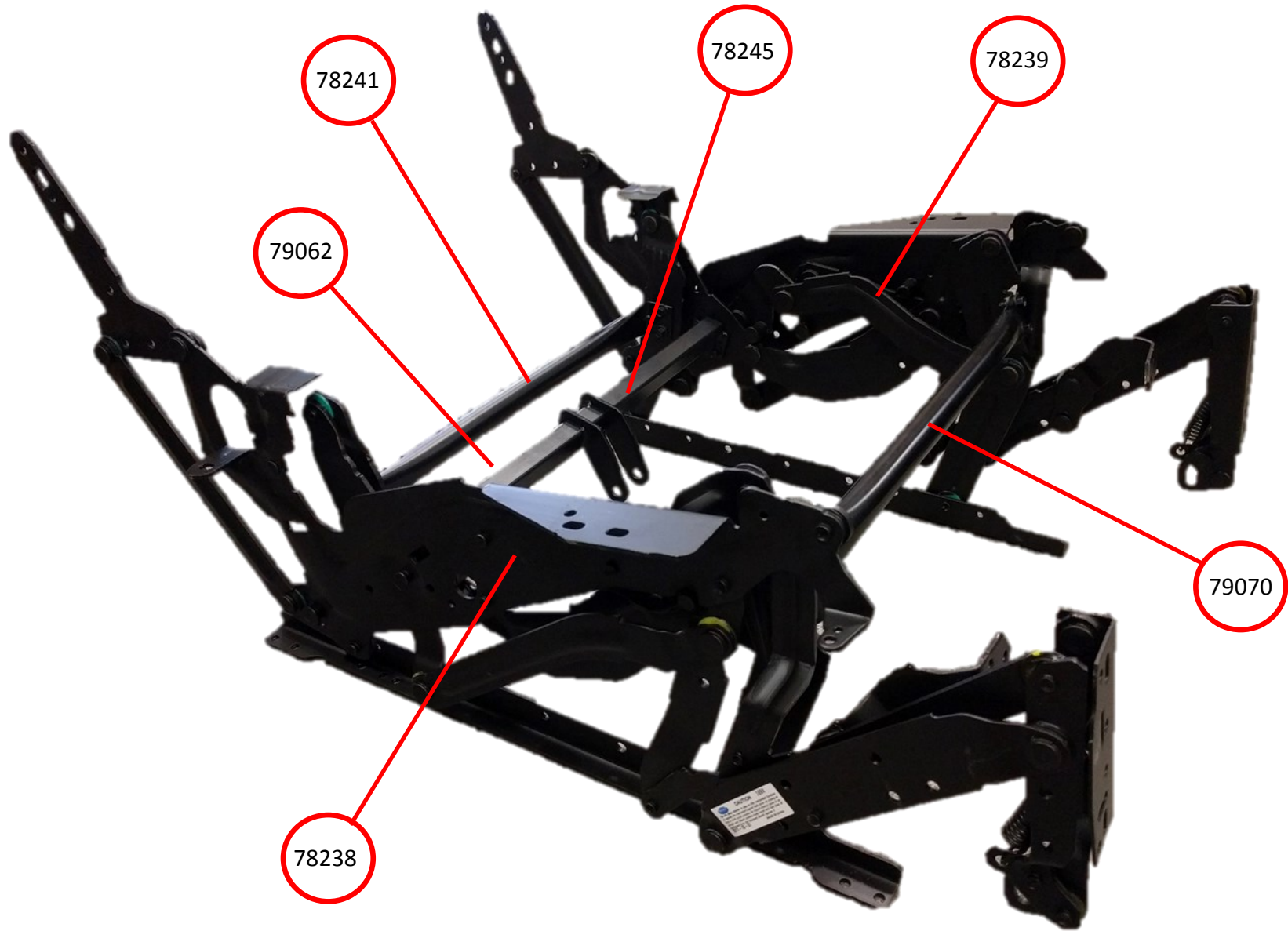
406



157

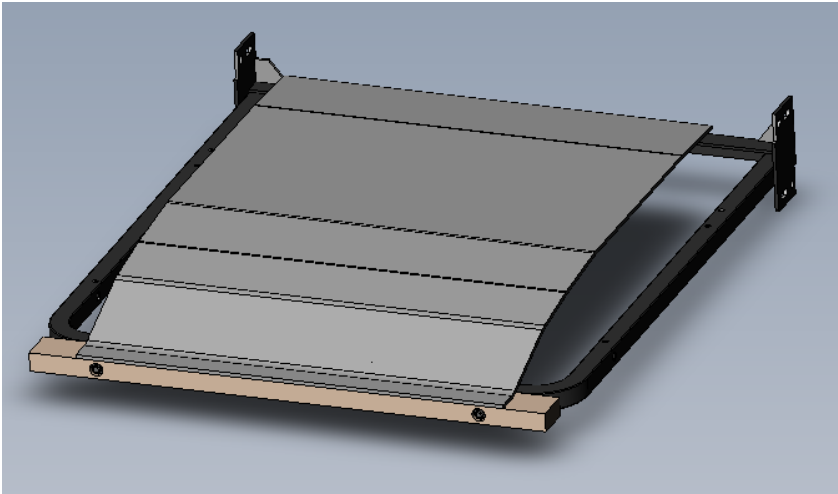


Replaceable Parts

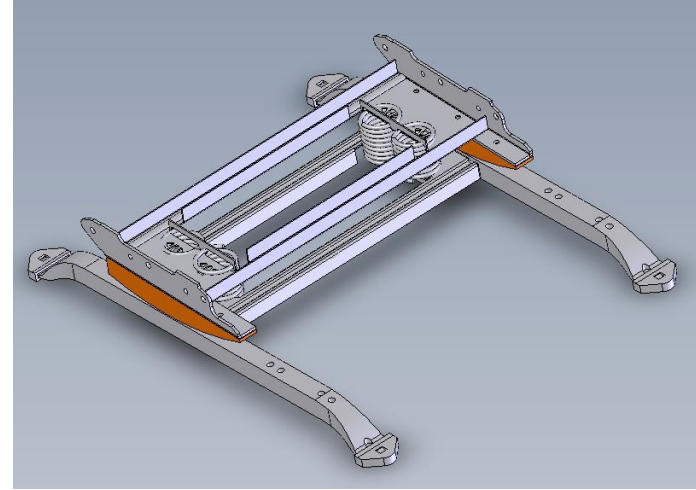


Replaceable Parts

101



110



Replaceable Parts

148



406



Replaceable Parts

