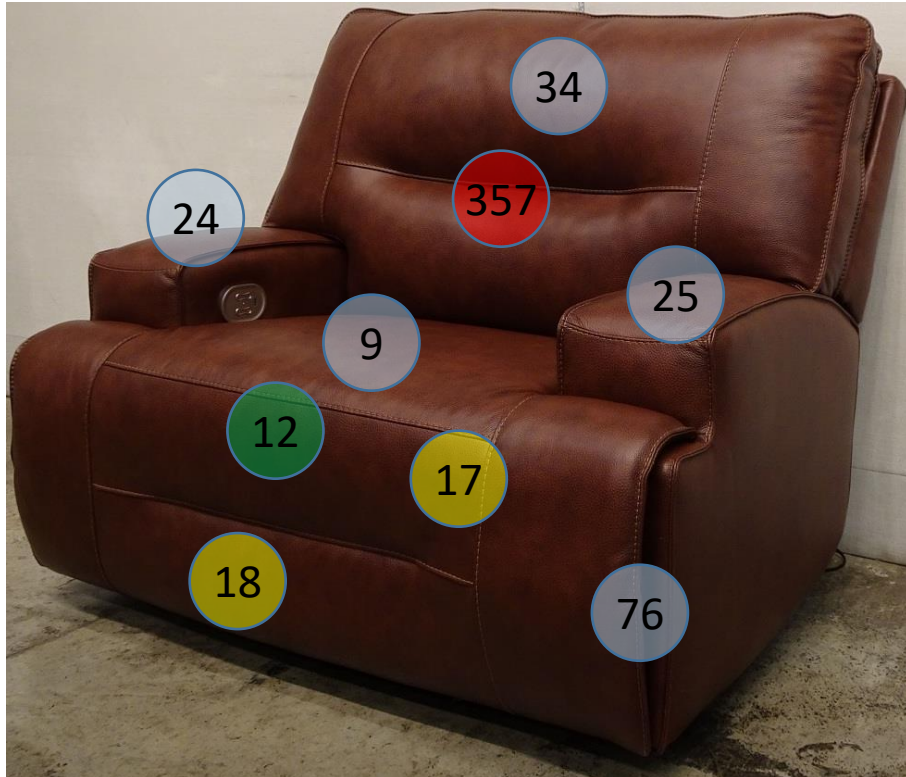


U2570582



Call Out	Description
●	Blown Fiber
●	Cushion Chaise Pad - top Pad
●	Cushion Foam
●	KD Component
●	Cover

Signature
DESIGN
BY **ASHLEY**®



425



227



488



108



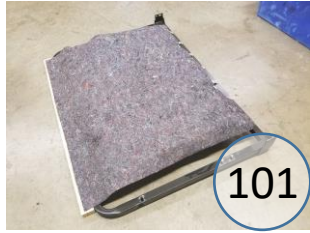
149



426



547



101



520



105



148



145



406



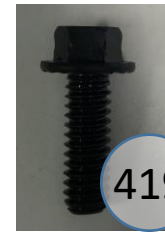
134



164



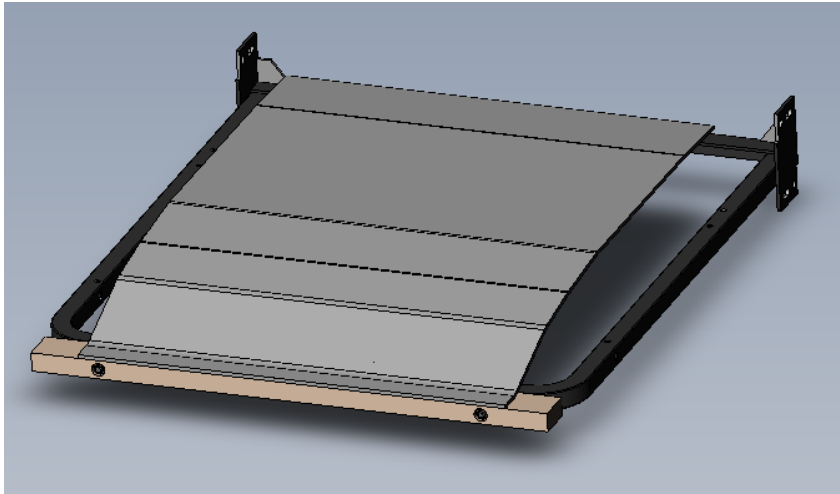
165



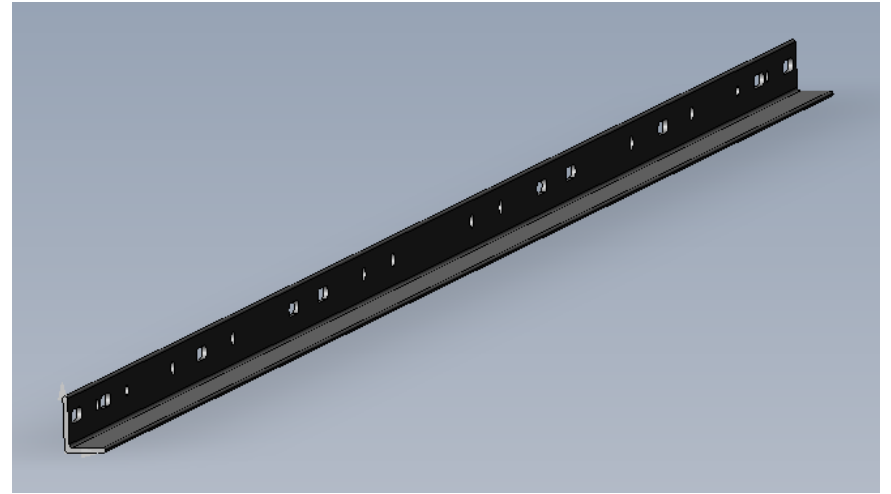
419

Signature
DESIGN
BY **ASHLEY**®

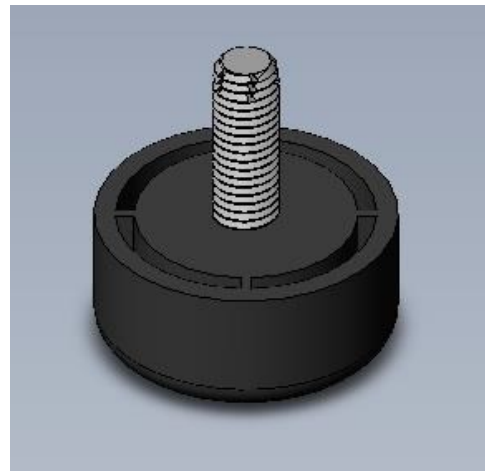
101



105



134



31090

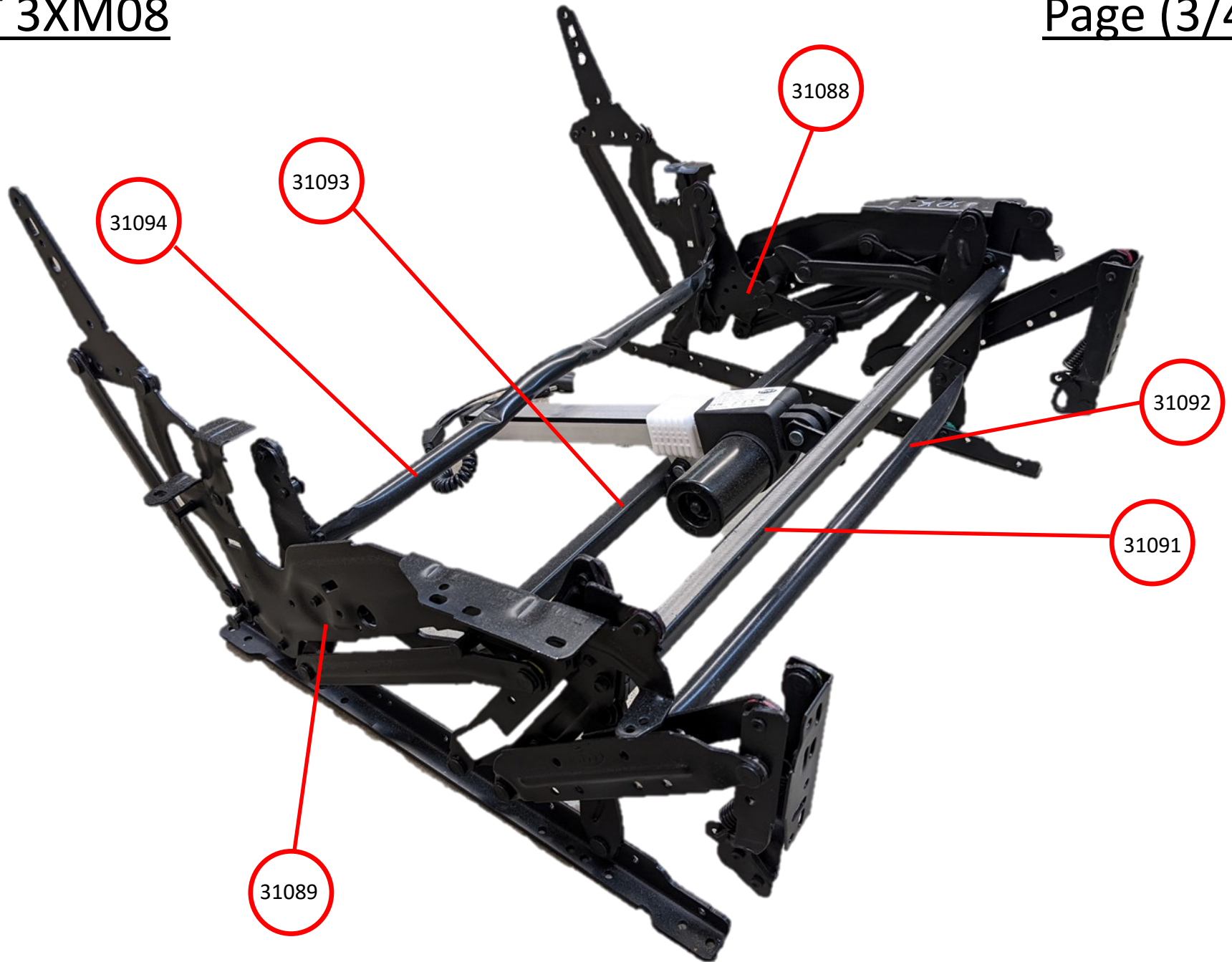


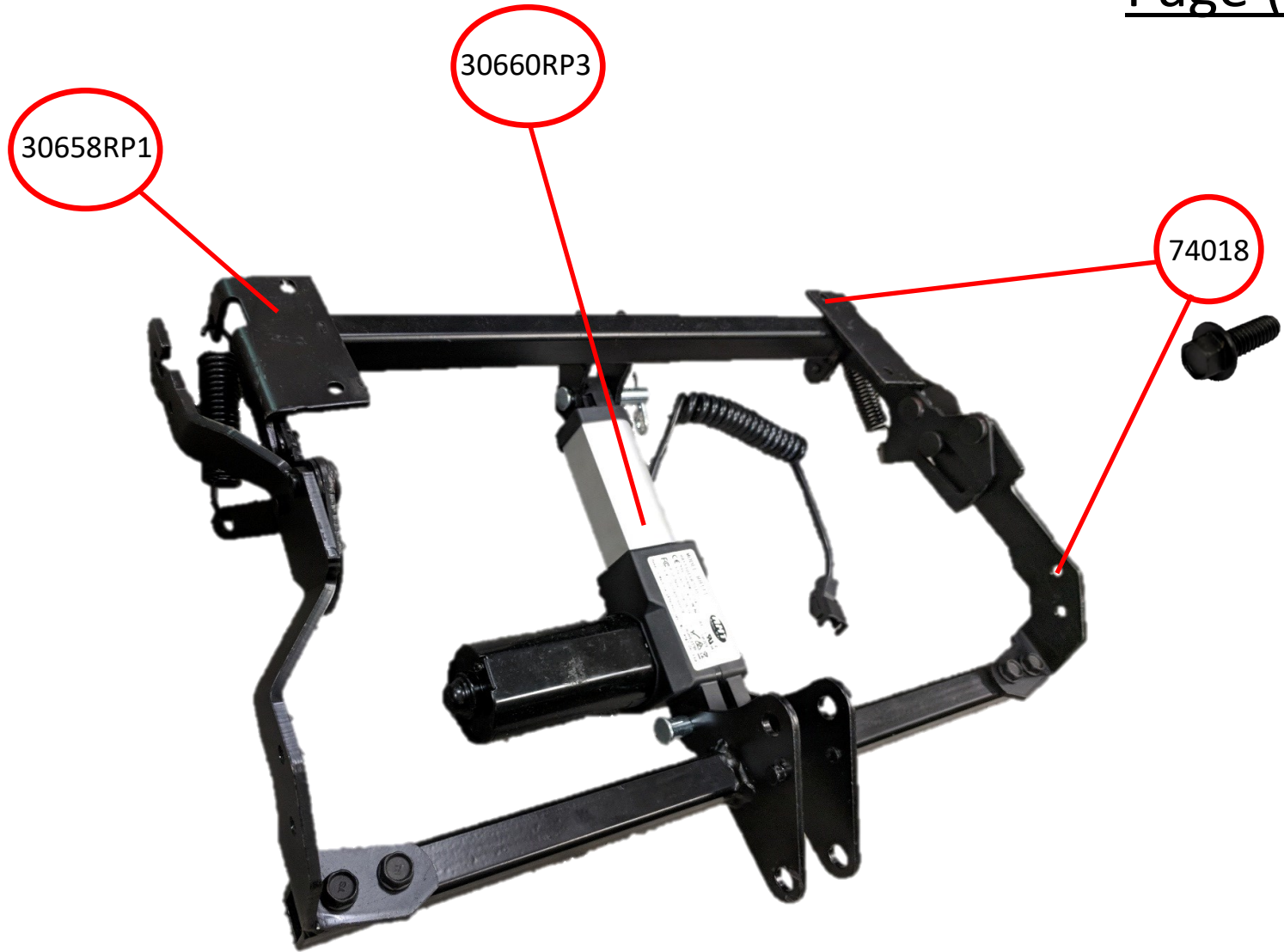
30383



31128







ASSEMBLY INSTRUCTIONS

WARNING! This unit must be assembled in the order shown. Failure to do so may result in damage to the parts or impede function of the unit.

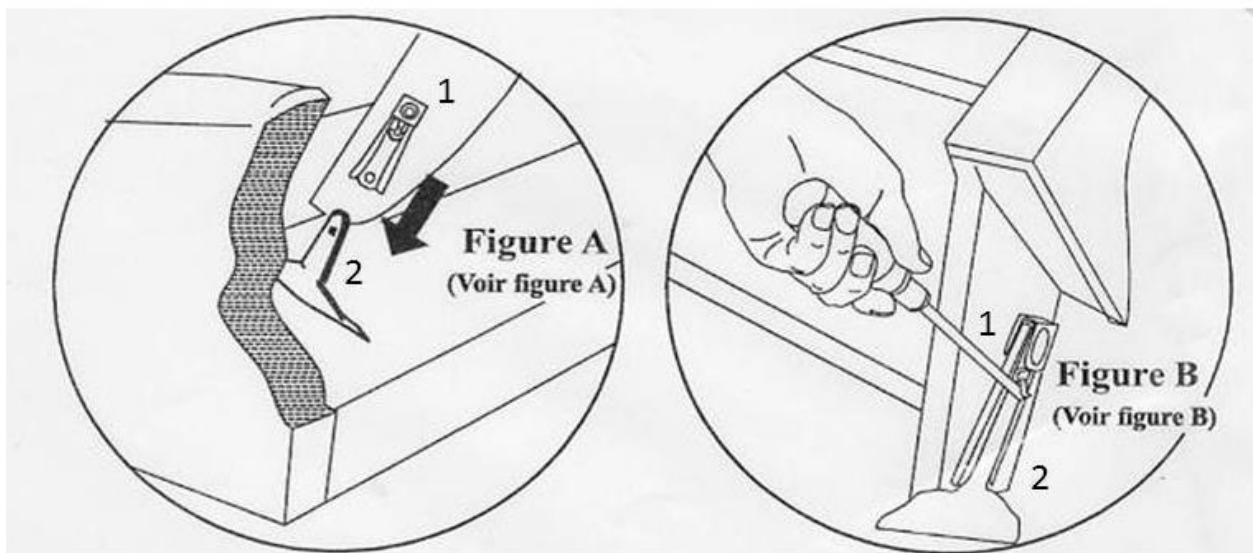
General Instructions

- Read all Assembly Instructions prior to assembling the product
 - Make sure you have all parts before beginning assembly
- To avoid damage, assemble the product on a non-abrasive surface.

STEP 1: To install “easy-off chair back”, slide inside back receivers (1) onto the steel mechanism posts (2) in the base of the furniture (Figure A).

STEP 2: Press both sides seat back from the top downward firmly into place. The inside back automatically locks into place.

STEP 3: To remove the backs, use a screwdriver pulling outward on the black tab in the metal sleeve (Figure B) on both sides of the inside back receivers (1) and lift the back off the base of the furniture.



STEP 4: Pull down velcro seat back flap and align properly to wrap over the bottom of the base frame and attach/secure. Note: If the seat back is not properly seated on the posts, the velcro back flap will not attach easily.