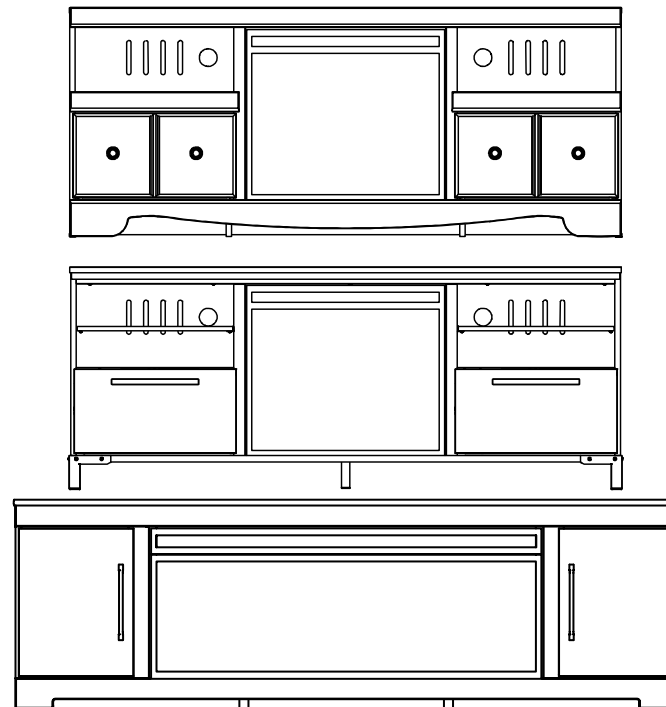


Assembly instructions for:
Fireplace

Part # 134721 (06/13/23)

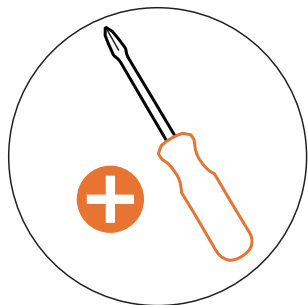
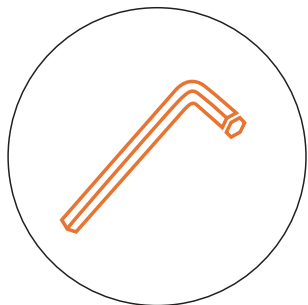


Appearance of your unit may vary from those depicted above

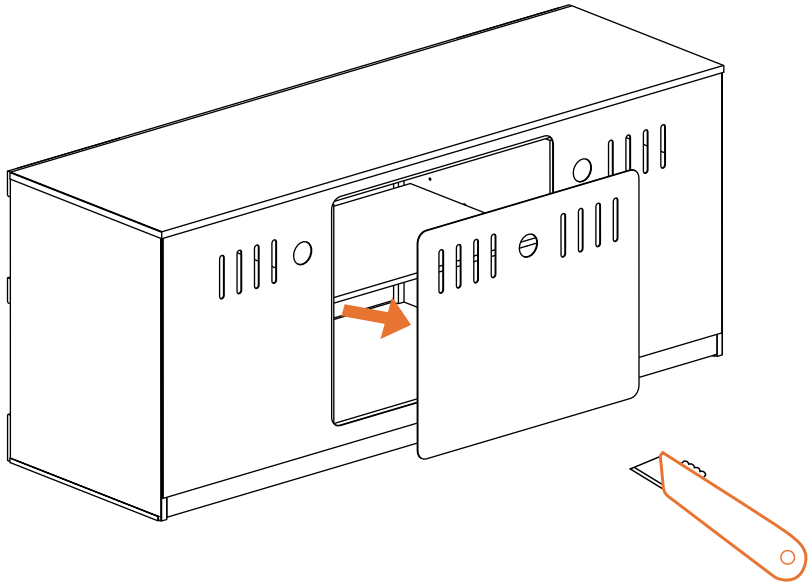


Life doesn't come with instructions, but this does

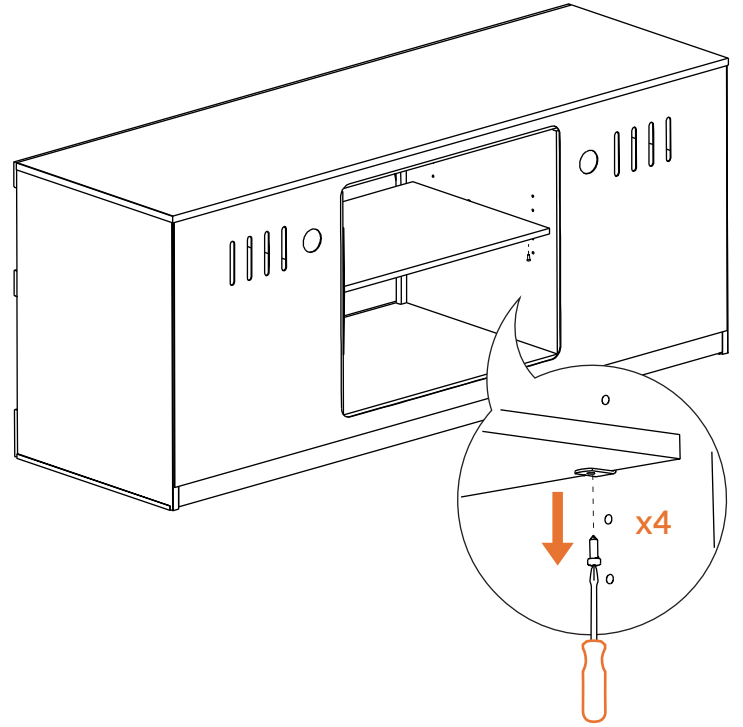
TOOLS



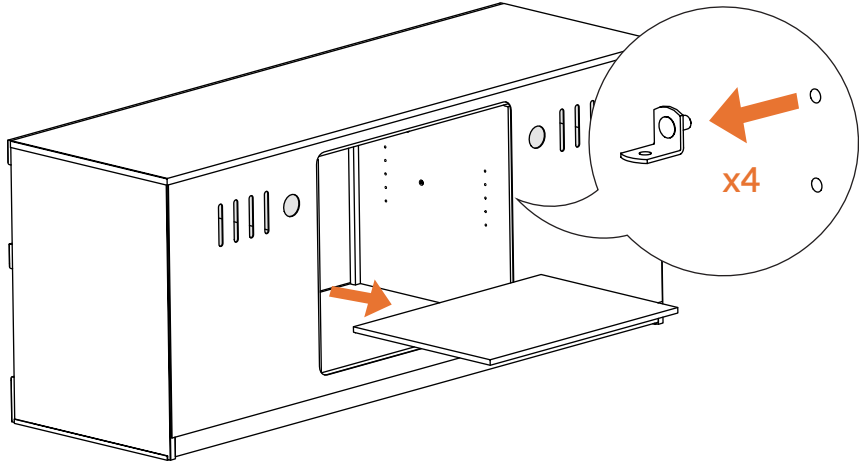
1



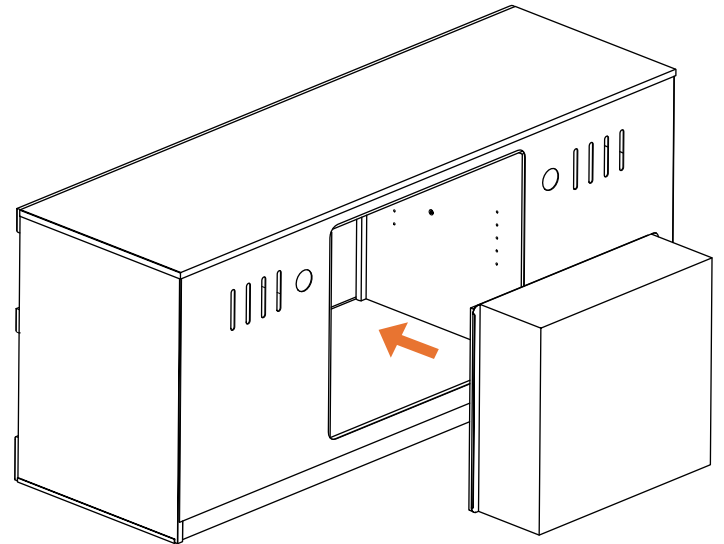
2



3

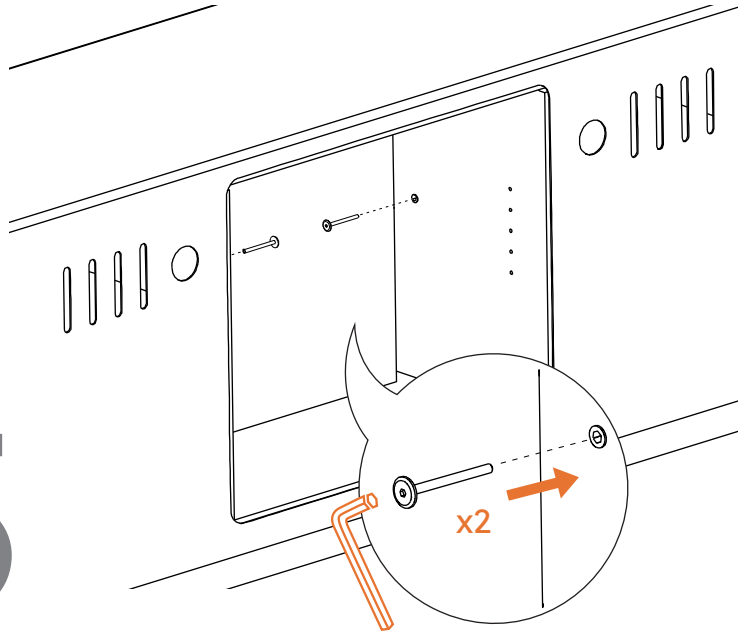


4



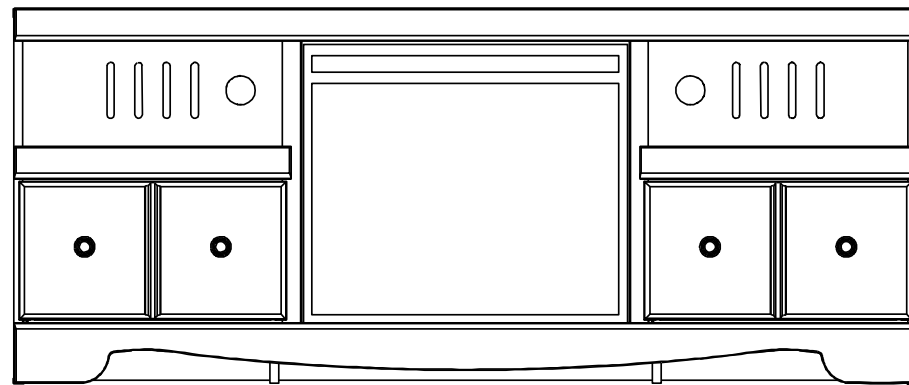
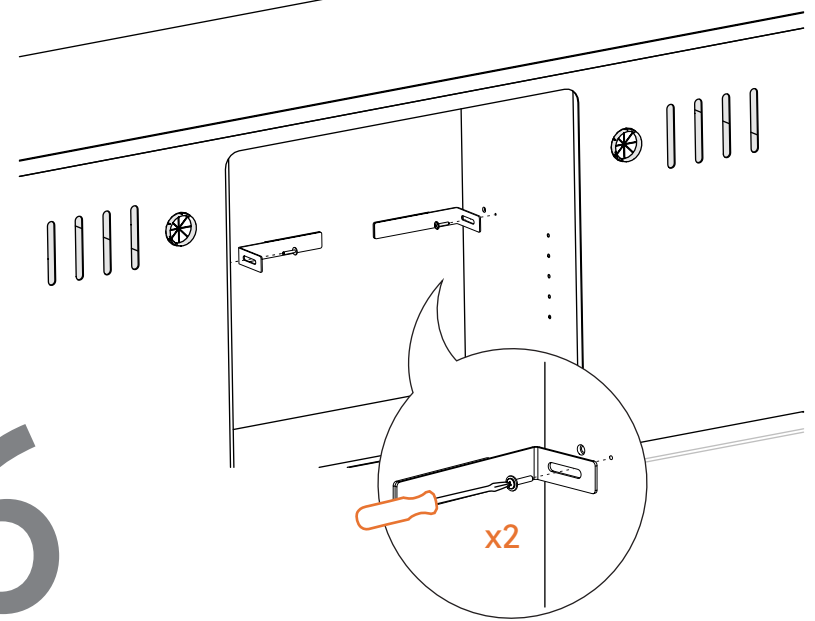
W100 01,02 Installation

5



W100-101,12 Installation

6



WARNING: AIS/MANUAL

- Remove and immediately recycle or dispose of used batteries according to local regulations and keep away from children. Do NOT dispose of batteries in household trash or incinerate.
- Even used batteries may cause severe injury or death.
- Call a local poison control center for treatment information.
- State battery type: CR2025
- State nominal battery voltage: 3V
- Non-rechargeable batteries are not to be recharged.
- Do not force discharge, recharge, disassemble, heat above 60 °C or incinerate. Doing so may result in injury due to venting, leakage or explosion resulting in chemical burns.
- Ensure the batteries are installed correctly according to the polarity (+ and-).
- Do not mix old and new batteries, different brands or types of batteries such as alkaline, carbon-zinc, or rechargeable batteries.
- Remove and immediately recycle or dispose of batteries from equipment not used for an extended period of time according to local regulations.
- Always completely secure the battery compartment. If the battery compartment does not close securely, stop using the product, remove the batteries, and keep them away from children.

- Retire y recicle o deseche inmediatamente las baterías usadas de acuerdo con las regulaciones locales y manténgalas fuera del alcance de los niños. NO deseche las baterías en la basura doméstica ni las incinere.
- Incluso las baterías usadas pueden causar lesiones graves o la muerte.
- Llame a un centro local de control de intoxicaciones para obtener información sobre el tratamiento.
- Tipo de batería: CR2025
- Voltaje nominal de la batería: 3V
- Las baterías no recargables no se deben recargar.
- No fuerce la descarga, recargue, desmonte, caliente por encima de 60 °C ni incinere. Hacerlo puede provocar lesiones debido a la ventilación, fugas o explosiones que provoquen quemaduras químicas.
- Asegúrese de que las baterías estén instaladas correctamente según la polaridad (+ y-).
- No mezcle pilas viejas y nuevas, ni de diferentes marcas o tipos de pilas, como las alcalinas, las de carbono-zinc o recargables.
- Retire y recicle o deseche inmediatamente las baterías de los equipos que no se utilicen durante un período prolongado de acuerdo con las regulaciones locales.
- Asegure siempre completamente el compartimiento de la batería. Si el compartimiento de las pilas no cierra de forma segura, deje de utilizar el producto, retire las pilas y manténgalas fuera del alcance de los niños.

- Retirez et recyclez ou jetez immédiatement les piles usagées conformément aux réglementations locales et gardez-les hors de portée des enfants. Ne jetez PAS les piles avec les ordures ménagères ou ne les incinérez pas.
- Même les piles usagées peuvent provoquer des blessures graves, voire la mort.
- Appelez un centre antipoison local pour obtenir des informations sur le traitement.
- Indiquez le type de batterie: CR2025
- Indiquer la tension nominale de la batterie:3V
- Les piles non rechargeables ne doivent pas être rechargées.
- Ne forcez pas la décharge, la recharge, le démontage, la chaleur au-dessus de 60 °C et l'incinération. Cela pourrait entraîner des blessures dues à une ventilation, une fuite ou une explosion entraînant des brûlures chimiques.
- Assurez-vous que les piles sont installées correctement selon la polarité (+ et-).
- Ne mélangez pas des piles anciennes et neuves, des marques ou des types de piles différents tels que des piles alcalines, carbone-zinc ou rechargeables.
- Retirez et recyclez ou jetez immédiatement les batteries des équipements non utilisés pendant une période prolongée, conformément aux réglementations locales.
- Sécurisez toujours complètement le compartiment à piles. Si le compartiment des piles ne se ferme pas correctement, arrêtez d'utiliser le produit, retirez les piles et gardez-les hors de portée des enfants .

! WARNING

- **INGESTION HAZARD:** This product contains a button cell or coin battery.
- **DEATH** or serious injury can occur if ingested.
- A swallowed button cell or coin battery can cause **Internal Chemical Burns** in as little as **2 hours**.
- **KEEP** new and used batteries **OUT OF REACH** of **CHILDREN**.
- **Seek immediate medical attention** if a battery is suspected to be swallowed or inserted inside any part of the body.
- Battery Type/Voltage: CR2025/3V



! ADVERTENCIA

- **PELIGRO DE INGESTIÓN:** Este producto contiene una pila de botón o de botón.
- **Puede producirse la MUERTE** o lesiones graves si se ingiere.
- Una pila de botón o una pila de botón ingerida puede causar **quemaduras químicas internas** en tan solo **2 horas**.
- **MANTENGA** baterías nuevas y usadas **FUERA DEL ALCANCE DE LOS NIÑOS**.
- **Busque atención médica inmediata** si se sospecha que se ha tragado o insertado una batería en cualquier parte del cuerpo.
- Tipo de batería/Tensión: CR2025/3V



! AVERTISSEMENT

- **RISQUE D'INGESTION:** Ce produit contient une pile bouton ou une pile bouton.
- **La MORT** ou des blessures graves peuvent survenir en cas d'ingestion.
- Une pile bouton ou une pile bouton avalée peut provoquer des **brûlures chimiques internes** en seulement **2 heures**.
- **GARDER** les piles neuves et usagées **HORS DE PORTÉE DES ENFANTS**.
- **Consultez immédiatement un médecin** si vous soupçonnez qu'une pile a été avalée ou insérée dans une partie du corps.
- Type de batterie /tension: CR2025/3V



WARNING

INGESTION HAZARD:

This product contains a button cell or coin battery.



ADVERTENCIA

PELIGRO DE INGESTIÓN:

Este producto contiene una pila de botón o de botón.



AVERTISSEMENT

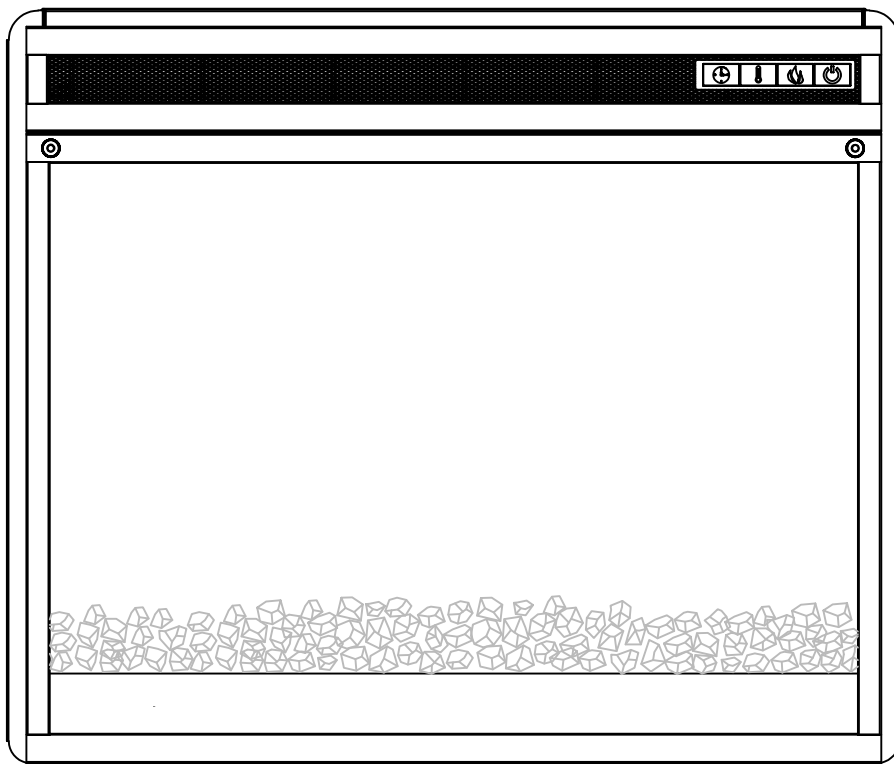
RISQUE D'INGESTION:

Ce produit contient une pile bouton ou une pile bouton.



Fireplace User Guide

MODEL#: W100-02



SAVE THESE INSTRUCTIONS

Table Of Contents

Table of Contents	2
IMPORTANT SAFETY INFORMATION	3-4
PARTS AND ASSEMBLY.....	5-7
PREPARATION	8
GROUNDING INSTRUCTIONS	8
SITE PREPARATION	9
Locating Your fireplace	9
Specifications	9
FCC STATEMENT	10
OPERATIONS AND FEATURES	11
Using the Remote Control	11
Using the Control Panel	12
Digital Display	13
CARE AND MAINTENANCE	14
Light Emitting Diode	14
Cleaning	14
TROUBLE SHOOTING GUIDE	15
Warranty & Return Policies	15-16

IMPORTANT SAFETY INFORMATION

PLEASE READ AND CAREFULLY FOLLOW ALL OF THE INFORMATION AND INSTRUCTIONS IN THIS USER GUIDE, INCLUDING ALL SAFETY, OPERATING, AND MAINTENANCE INFORMATION.

IF THE INFORMATION IN THIS USER GUIDE IS NOT FOLLOWED EXACTLY, FIRE, ELECTRIC SHOCK, BURN, DEATH OR OTHER SERIOUS INJURY AND/OR PROPERTY DAMAGE MAY RESULT.



Your electric fireplace is fully assembled from the factory with the exceptions on pages 5-7. There are no user serviceable parts inside the fireplace. If the unit appears to malfunction, turn the unit off and unplug the unit from the wall immediately and contact Customer Service. Alteration of the fireplace will void its warranty and may cause the fireplace to malfunction resulting in electrical shock, fire, death or serious bodily injury or property damage.



WHILE IN USE AND FOR SEVERAL MINUTES THEREAFTER, THE FIREPLACE UNIT CAN GET HOT INCLUDING, BUT NOT LIMITED TO, THE TOP CENTER OF THE FIREPLACE. KEEP CHILDREN AWAY FROM THE FIREPLACE AT ALL TIMES TO AVOID BURN, SHOCK OR SERIOUS INJURY OR DEATH. Always supervise children to ensure they do not play with or touch the fireplace. Do not place any cloth, decorations or other combustible material over the fireplace outlet of the fireplace, or otherwise obstruct the fireplace outlet of the fireplace, as this may cause a fire and serious injury or death may result.

If you have any questions regarding the use of this unit, or find that your fireplace unit needs service, please contact Ashley Furniture Industries, LLC at the below number.

1 (866) 436-3393 Customer Service

IMPORTANT SAFETY INSTRUCTIONS



**CAUTION
HOT**

Read and follow all instructions before using this fireplace. Failure to follow all safety instructions could result in serious bodily injury, death or property damage.

When using electrical appliances, basic precautions should always be followed to reduce the risk of fire, electrical shock, injury or death and property damage. Such precautions include, but are not limited to, the following:

1. This fireplace is hot when in use and for several minutes after use. To avoid burns, do not touch hot surfaces of the fireplace such as the heated venting areas of the fireplace. **DO NOT ATTEMPT TO MOVE THE FIREPLACE WHILE IT IS PLUGGED IN OR IN OPERATION OR FOR SEVERAL MINUTES AFTER OPERATION.** If provided, use handles when moving this fireplace. Keep all combustible materials including, but not limited to, furniture, pillows, bedding, papers, clothes and curtains at least 3 feet(0.9 meters) from the entire fireplace unit
2. Always keep children away from the fireplace and be sure to supervise children when they are around the fireplace.
3. Always unplug fireplace when not in use.
4. To avoid the risk of electrical shock, fire, death or serious bodily injury and property damage, do not operate the fireplace if it has a damaged cord or plug or if the fireplace malfunctions, has been dropped or damaged in any manner. Please call the Customer Service.
5. **DO NOT USE THE FIREPLACE OUTDOORS** as this may result in electrical shock, fire, death or serious bodily injury or property damage.
6. This fireplace is not intended for, and must not be used in bathrooms, laundry areas or any other location in, around, or near water or that may become wet. Never locate fireplace where it may fall into a bathtub or other water source. Failure to follow this instruction may result in electrical shock, fire, and serious bodily injury, death or property damage.
7. Do not run power cord under carpeting. Do not cover power cord with throw rugs, runners, or the like. Arrange power cord away from traffic area and where it will not be tripped over or damaged.
8. To disconnect fireplace, turn controls to off, then remove plug from outlet.
9. Connect to properly grounded outlets only.
10. Do not insert or allow foreign objects to enter any ventilation or exhaust openings as this may cause an electric shock or fire, and may result in serious bodily injury or death.
11. To prevent a possible fire, do not block fireplace air intakes or exhaust in any manner. Do not operate fireplace on soft surfaces, (such as a bed), where opening may become blocked.
12. A fireplace has hot and arching or sparking parts inside. Do not use in areas where gasoline, paint, or other flammable liquids or fumes are used or stored.
13. There is a thermostat limiter inside the fireplace. When the inner temperature becomes equal or over the set thermostat level or abnormal heating occurs, the thermostat protective device will cut off power supply to avoid the fireplace damaged or risk of fire.
14. Use this fireplace only as described in this user guide. Failure to do so or using the fireplace in a manner not listed herein may cause fire, electrical shock, death or serious bodily injury or property damage.
15. Always plug fireplace directly into a grounded wall outlet/receptacle. Never use with an extension cord or power strip.

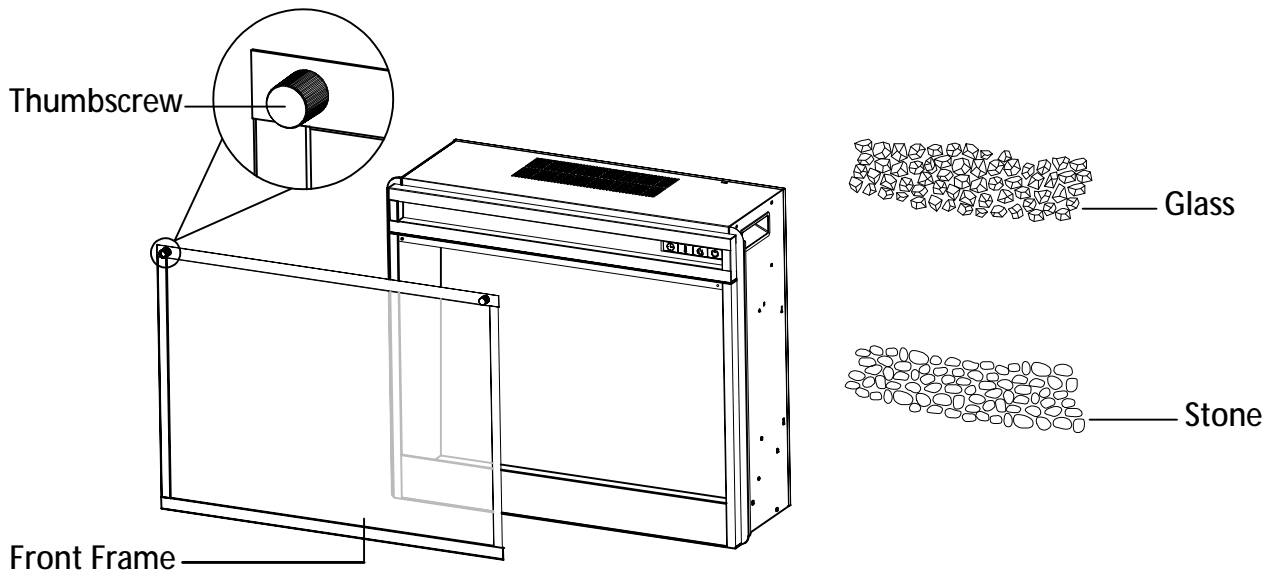
SAVE THESE INSTRUCTIONS

PARTS AND ASSEMBLY



WARNING

Unplug the fireplace before assembling or disassembling. Failure to do so could result in serious bodily injury or death. The unit may remain hot for several minutes after being turned off and unplugged.



Thumbscrews are attached on front frame and are meant to be permanent and should not be removed.

The fireplace gives you the option of using glass and/or stone pieces.

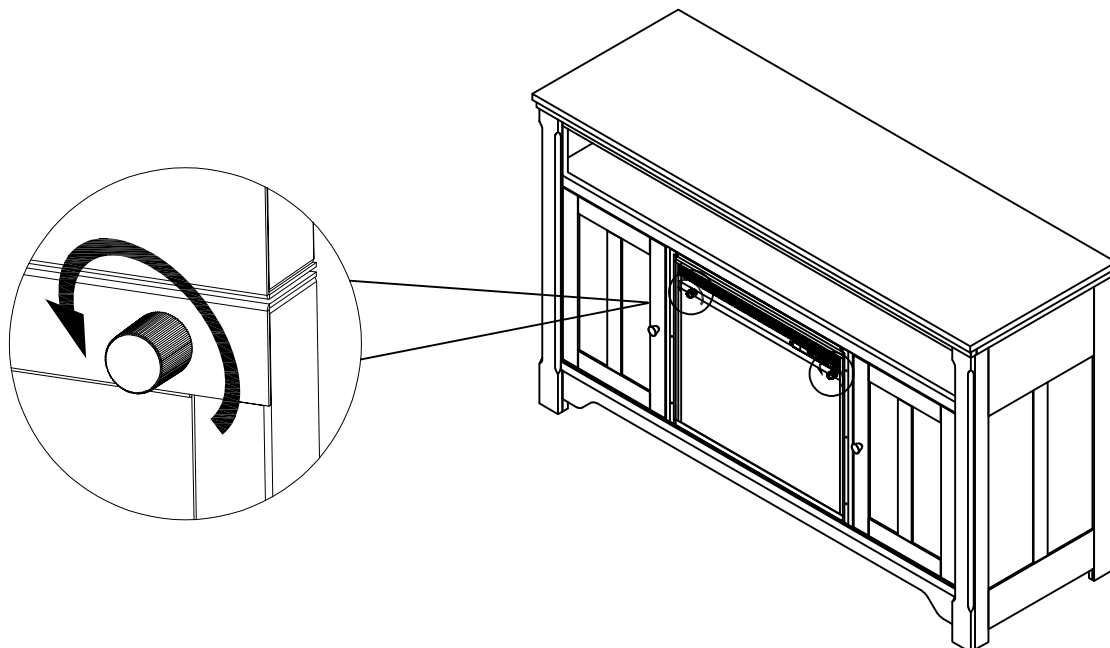


WARNING

Stone and Glass pieces are not toys. Keep children away and do not allow children to play as the glass and stone pieces may pose a choking hazard.

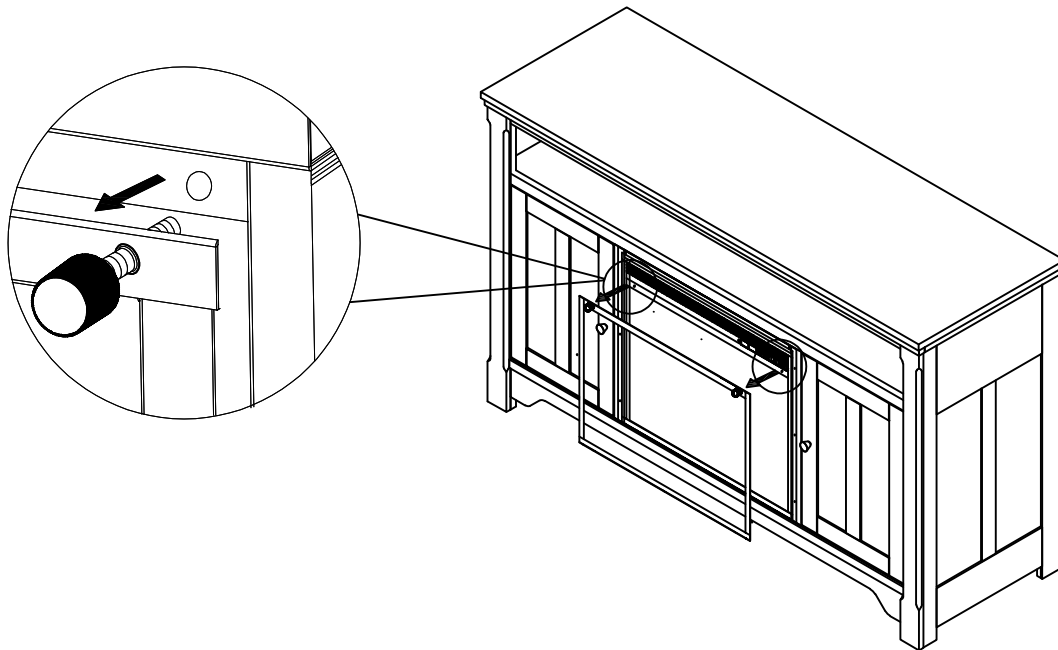
Step 1:

Put the unit in a non-abrasive surface. Turn both thumbscrews counter clockwise to loosen. The thumbscrews should not be removed from the outer frame.

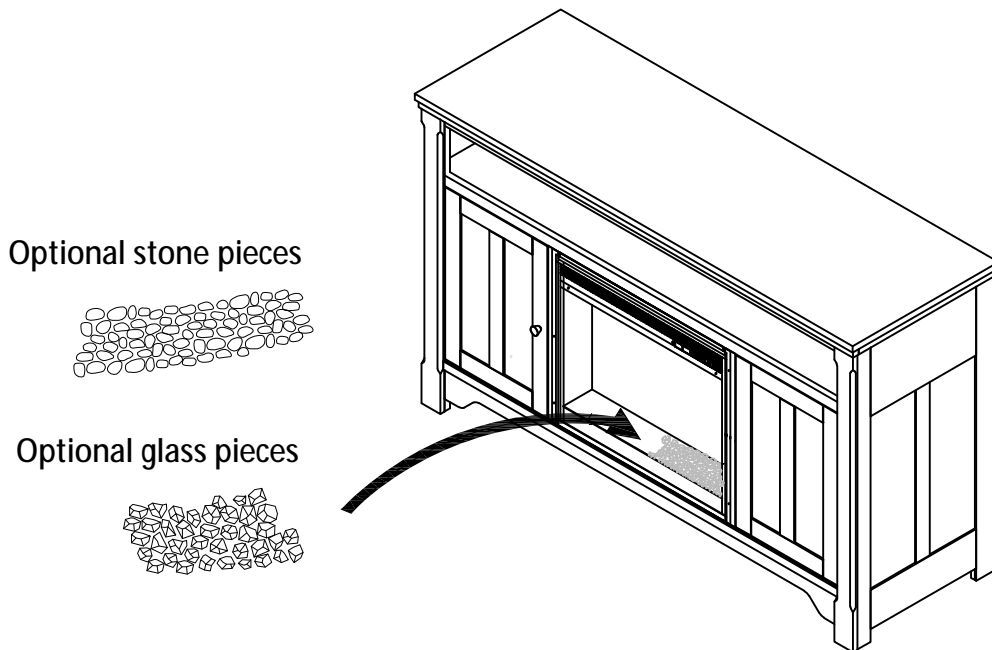


PARTS AND ASSEMBLY

Step 2:
The front frame can be taken off when thumbscrews are completely loosened.



Step 3:
Glasses and Stones are options to put into bottom of fireplace unit.

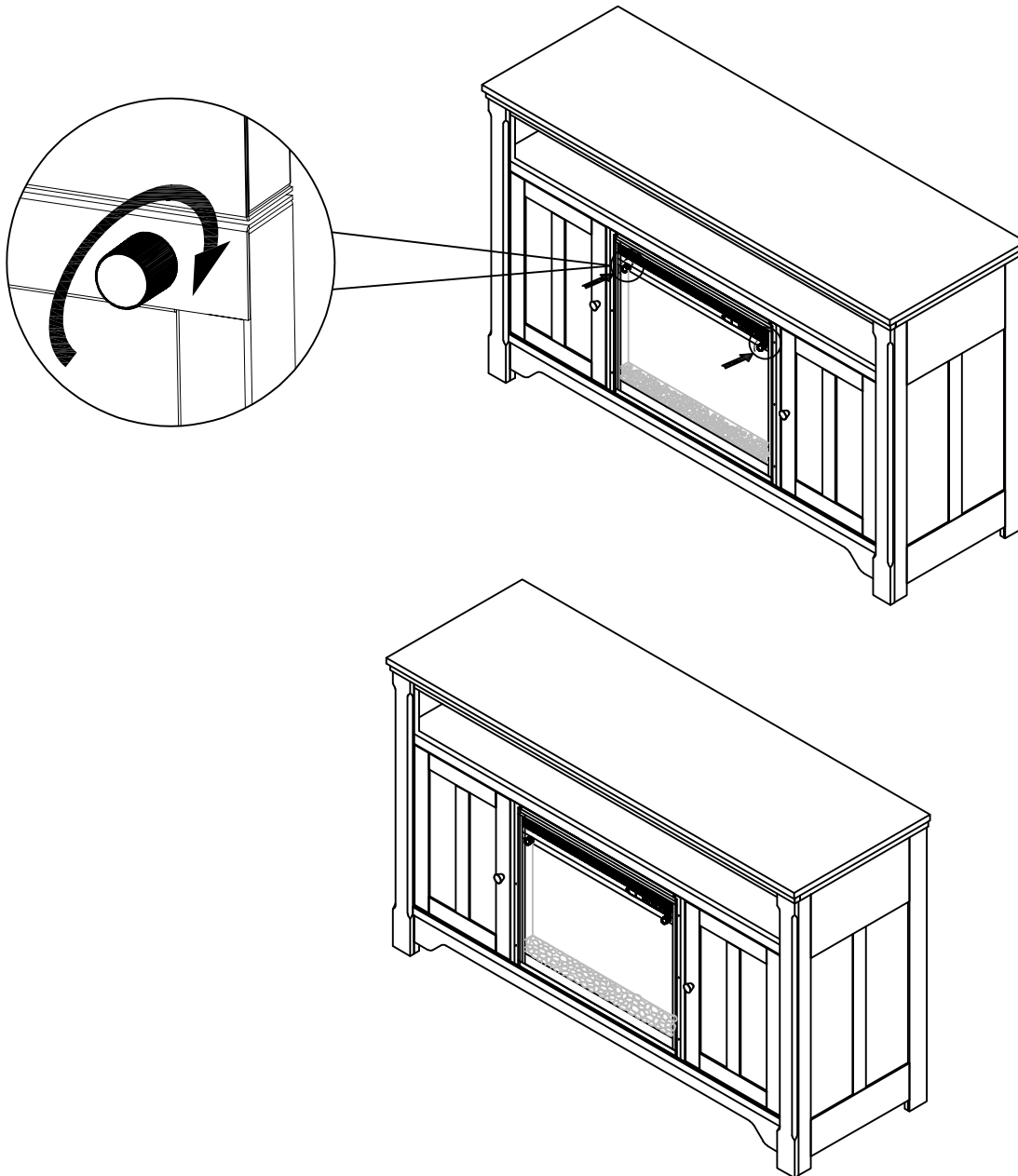


PARTS AND ASSEMBLY

Step 4:

Turn clockwise for both left and right thumbscrews until tight to close front frame.

Below picture show 2 options finished figure.



WARNING To prevent the frame from falling forward, ensure that the thumbscrews are attached properly and fully tightened.

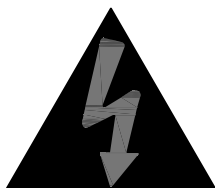
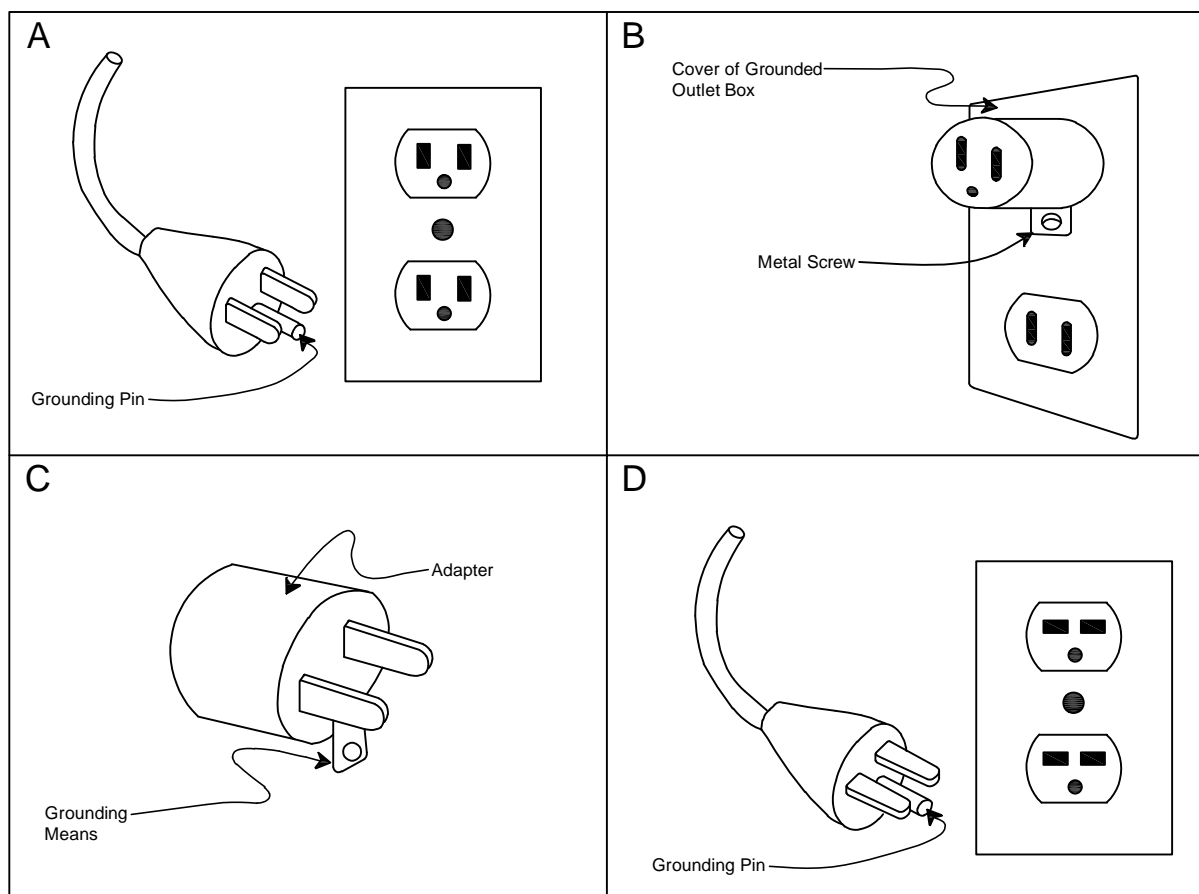
PREPARATION

GROUNDING INSTRUCTIONS

This product must be grounded. This product is equipped with a cord having an equipment-grounding conductor and a grounding plug. The plug must be plugged into an appropriate outlet that is properly installed and grounded in accordance with all local codes and ordinances.

This fireplace is for use on 120 volts circuit and has a grounded plug that looks like the one illustrated on Figure 1. See Figure 1 for grounding instruction. An adapter as shown at C is available for connecting three-blade grounding type plugs to two-slot receptacles. The green grounding plug extending from the adapter must be connected to a permanent ground such as a properly grounded outlet box. The adapter should not be used if a three-slot grounded receptacle is available.

Figure 1



Improper connection of the equipment-grounding conductor can result in a risk of electric shock which may cause serious injury, death or property damage. Check with qualified electrician or service person if you are in doubt as to whether the product is properly grounded. Do not modify the plug provided with the product. If it will not fit the outlet; have a proper outlet installed by qualified electrician.

Note:

A 15amp, 120 volt circuit is required. A dedicated circuit is preferred but not essential in all cases. A dedicated circuit will be required if, after installation, the circuit breaker trips or a fuse blows on a regular basis when the fireplace is operating. Additional appliances on the same circuit may exceed the current rating of the circuit breaker.

SITE PREPARATION

Ensure the power cord is not installed so that it is pinched or against a sharp edge and ensure that the power cord is stored and secured to avoid tripping or snagging to reduce the risk of fire, electric shock, property damage, serious injury or death.

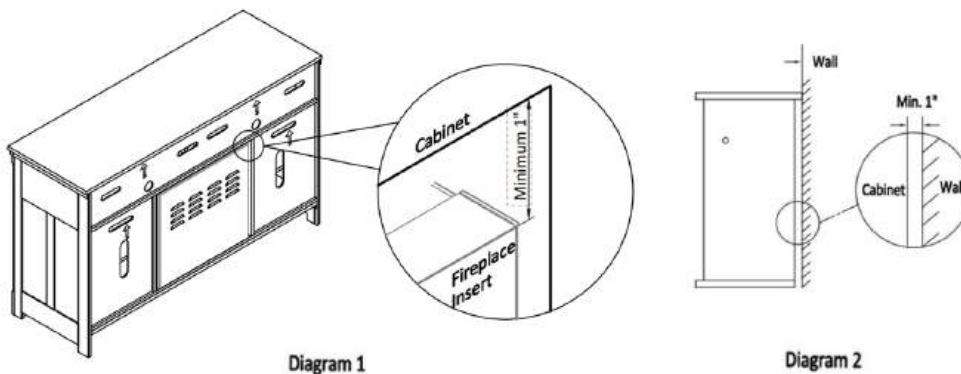
Locating Your Fireplace

Read and follow the important safety instruction in this user guide. Failure to do so may result in serious bodily injury, death, or property damage.

⚠ WARNING

Failure to provide a minimum of a 1-1/2 inch gap from top of Fireplace insert to top of cabinet(see Diagram 1)could result in a fire, bodily injury, death or property damage.


A minimum of 1" clearance should be provided from back edge of the cabinet sides to the wall to allow air intake for the heater(Diagram 2), otherwise the overheat protection device will be triggered and E1 will be displayed and the heater will stop working.



Specification

Fireplace insert dimensions(W x D x H)	603x210x509mm
Gross Weight	18.81 KGs/41.4 LBs
Voltage	120V
Frequency	60Hz
Watts/Amps.	1400W
Heater Rating	1250-1350W
BTU/h	4266-4608BTU/h

FCC STATEMENT

 NOTE: This equipment has been tested and found to comply with the limits for a Class B digital device, pursuant to Part 15 of the FCC Rules. These limits are designed to provide reasonable protection against harmful interference in a residential installation. This equipment generates, uses, and can radiate radio frequency energy and, if not installed and used in accordance with the instructions, may cause harmful interference to radio communications. However, there is no guarantee that interference will not occur in a particular installation. If this equipment does cause harmful interference to radio or television reception, which can be determined by turning the equipment off and on, the user is encouraged to try to correct the interference by one or more of the following measures:

- 1: Reorient or relocate the receiving antenna.
- 2: Increase the separation between the equipment and the receiver.
- 3: Connect the equipment into an outlet on a circuit different from that to which the receiver is connected.
- 4: Consult the dealer or an experienced radio/TV technician for help.

This device complies with Part 15 of the FCC Rules. Operation is subject to the following two conditions.

- 1): This device may not cause harmful interference and
- 2): This device must accept any interference received, including interference that may cause undesired operation.

Modifications not approved by the party responsible for compliance could void user's authority to operate the equipment.

OPERATIONS AND FEATURES

Using the Remote Control

Power

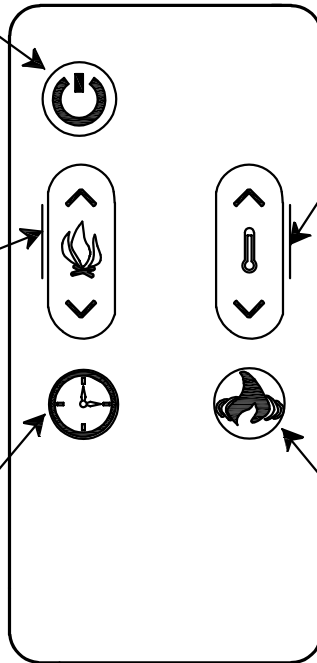
This will turn the unit ON and OFF. When the unit is turned back ON, the system will recall the last heat setting used. Store flame and Heating setting.

Adjust Brightness

This allows you to raise or lower the level of flame brightness. Note: when the unit is turned off that the LOGS completely die out for 3 seconds.

Timer

This allows you to set the fireplace to automatically shut OFF after the amount of time displayed on the screen, the timer can be set from 10 minutes to 9 hours, the display shows 10, 20, 30, 40, 50, 1H, 2H, 3H, 4H, 5H, 6H, 7H, 8H, 9H. Do not operate fireplace while unattended.



Adjust Temperature

This allows programming of the thermostat. The fireplace can be used without the heater if desired. Simply cycle through the function until no temperature is displayed. Press and hold the down arrow for five seconds to switch temperature readout from °F (Fahrenheit) and °C (Celsius) and back. Must be in Heat mode.

Dynamic Embers

This function will make the embers of the fire automatically glow dimmer and brighter creating a more realistic fire effect.

Using the Control Panel

Timer/Dynamic Embers

This will allow you to set the automatic shutoff on the fireplace. Dynamic Embers will work on the unit hold 5 seconds when beeps press again. To stop embers press timer button then hold for 5 seconds.

Adjust Temperature

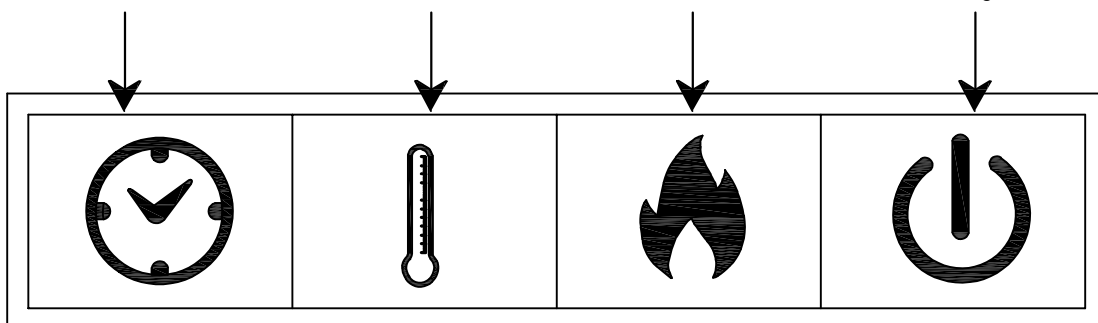
This allows programming of the thermostat. The fireplace can be used without the heater if desired. Simply cycle through the function until no temperature is displayed. Press and hold the button for five seconds to switch temperature readout from °F (Fahrenheit) and °C (Celsius) and back.

Adjust Brightness

This function will cycle through the five different levels of flame brightness.

Power

This will turn the unit ON and OFF. When the unit is turned back ON, the system will load default factory settings.



The Fireplace Remote Control

The remote combines all the functions of the front panel controls for flexibility and convenience when changing desired settings.

The first thing to do with the remote control is to remove the plastic sheet insulated the battery. The battery is supplied with the remote control. Replacement batteries can be purchase at any electronics store. The part number for the battery is CR2025. Please follow the sequence below to replace the battery.

1. Take out battery bracket, and locate the battery bracket (Figure 1)

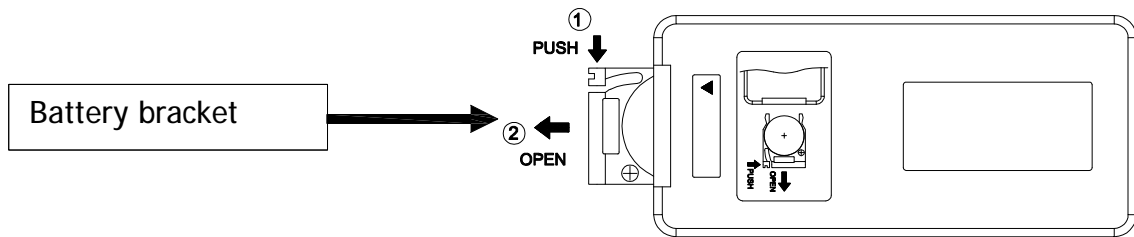


Figure 1

2. The battery number is CR2025. The battery has two sides, one with a button feature, and the other is flat. (Figure 2)

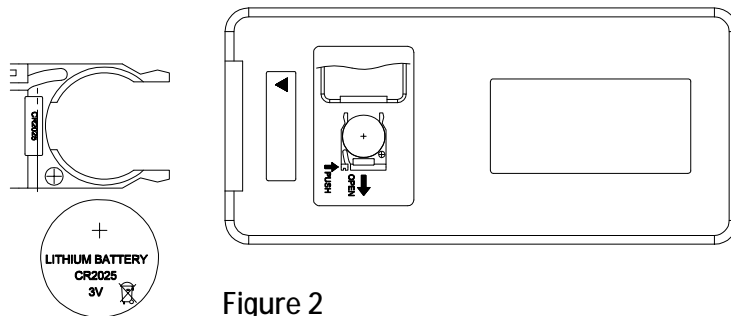


Figure 2

3. Insert the battery with the button side into the battery bracket, making sure the battery is firmly seated. (figure 3)

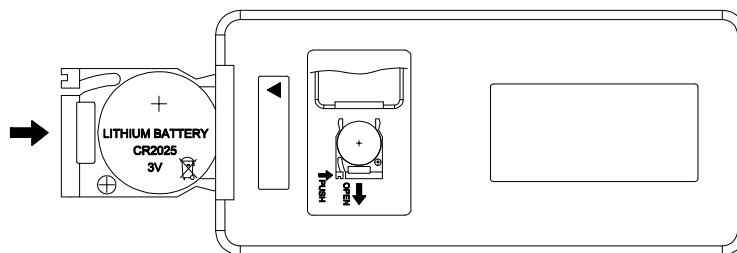


Figure3

4. Press the battery bracket into the remote control, making sure it snaps into position. (Figure 4)

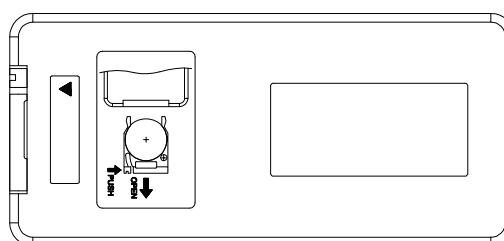
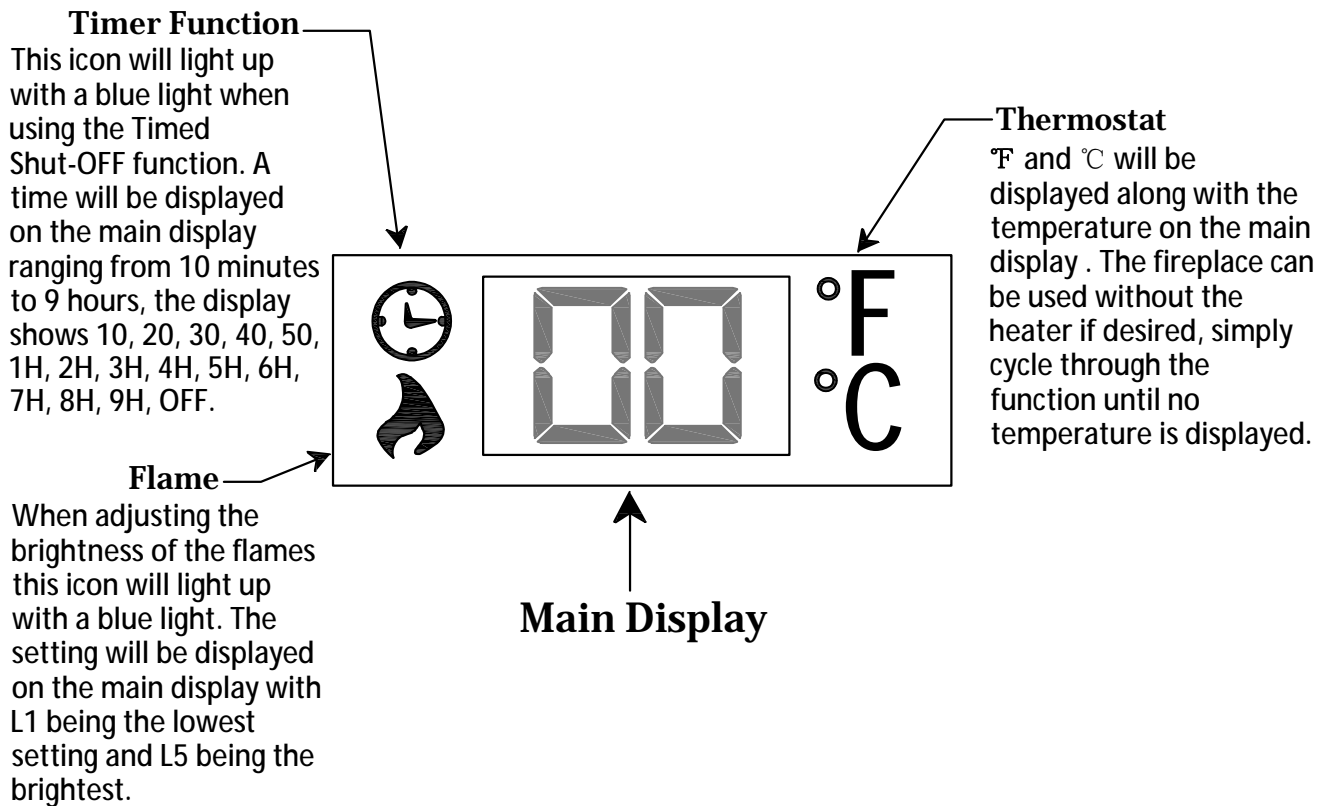


Figure 4

Digital Display



⚠ NOTE

When turned OFF the embers of the log set will take 3 seconds to completely go out, this is a designed feature to represent the embers of the fire slowly fading out.

⚠ NOTE

Although the fireplace has been turned off, the fireplace may remain hot for several minutes after being turned off. The fan may still run to prevent overheating.

CARE AND MAINTENANCE

Light Emitting Diode

This fireplace is fitted with LED (Light Emitting Diode) bulbs in place of conventional bulbs. These generate the same light levels as convention bulbs, but use a fraction of the energy. These LED bulbs are maintenance free and should not require replacing during the life of the product.

Cleaning



**CAUTION
HOT**

WHILE IN USE AND FOR SEVERAL MINUTES AFTER USE, THE FIREPLACE UNIT CAN GET HOT INCLUDING, BUT NOT LIMITED TO, THE TOP CENTER OF THE FIREPLACE. Use caution before attempting any maintenance or cleaning to reduce the risk of fire, electric shock, injury or death.



WARNING When transporting or storing the unit and cord, make certain unit is unplugged and has had time to cool down. The fireplace and cord should be kept in a dry place, free from excessive vibration or dust and stored so as to avoid damage.

Before cleaning the fireplace, make sure it has been shut off, unplugged and it has had time to cool down to avoid the risk of burns, fire, shock, serious injury or death. Dust the unit using a clean dry cloth. Use warm water and a clean cloth to wipe off all painted surfaces. Do not use abrasive cleaners.

Use a standard non-flammable glass cleaner for the glass panel of the unit.

IN NO EVENT WILL ASHLEY FURNITURE INDUSTRIES, LLC. OR ITS SUBSIDIARIES, AFFILIATES, DIRECTORS, OFFICERS, OR AGENTS (COLLECTIVELY "AFI"), BE LIABLE TO THE PURCHASER OR ANY THIRD PARTY, WHETHER IN CONTRACT, IN TORT, OR ON ANY OTHER BASIS, FOR ANY INDIRECT, SPECIAL, PUNITIVE, EXEMPLARY, CONSEQUENTIAL, OR INCIDENTAL LOSS, COST, OR DAMAGE ARISING OUT OF OR IN CONNECTION WITH THE SALE, MAINTENANCE, USE, OR INABILITY TO USE THE FIREPLACE, EVEN IF AFI OR ITS DIRECTORS, OFFICERS, OR AGENTS HAVE BEEN ADVISED OF THE POSSIBILITY OF SUCH LOSSES, COSTS OR DAMAGES, OR IF SUCH LOSSES, COSTS, OR DAMAGES ARE FORESEEABLE. IN NO EVENT WILL AFI BE LIABLE FOR ANY DIRECT LOSSES, COSTS, OR DAMAGES THAT EXCEED THE PURCHASE PRICE OF THE PRODUCT.

SOME JURISDICTIONS DO NOT ALLOW THE EXCLUSION OR LIMITATION OF INCIDENTAL OR CONSEQUENTIAL DAMAGES, SO THE ABOVE LIMITATION OR EXCLUSION MAY NOT APPLY TO THE PURCHASER.

TROUBLE SHOOTING GUIDE

There are no user serviceable parts inside the fireplace. If the unit appears to malfunction, turn the unit off and unplug the unit from the wall immediately. Please contact the store that this was purchase from with the original purchase receipt or call 1 (866) 436-3393 for service related questions or concerns. Alteration of the fireplace will void its warranty and may cause the fireplace to malfunction resulting in electrical shock, fire, death or serious bodily injury or property damage.

PROBLEM	SOLUTION
1: No power or function	1.1: Check that unit is plugged into a standard 120V outlet. 1.2: Press power button on the control panel
2: Have flame effect, but fireplace does not blow warm air	2.1: Confirm temperature setting exceeds room temperature. 2.2: Try to turn on/off fireplace button several times to make sure it's in the "ON" position.
3: Fireplace does not work, but Power and Fireplace switches are in the "ON" position and thermostat is set on "99"	3.1: Turn all switches to the "OFF" position and unplug the unit from the wall outlet for 5-10 minutes. After 5-10 minutes plug the unit back into wall outlet, and operate as normal.
4: The display unit on the control panel shows "EE" and the function indicator is quick flashing indicating it is in alarm mode.	4.1: Unplug the unit from the wall outlet for 5-10 minutes. After 5-10 minutes plug the unit back into wall outlet, and operate as normal.
5: Only the flame icon is present and does not display the flame levels (ie.L1,L2...) when the flame button is pressed.	5.1: Press and hold the flame button for 5 seconds. Once the unit "beeps" the flame levels should appear.

Warranty & Return Policies

Please refer to the included warranty card. Be sure to keep this manual and warranty card for possible future reference.

Manufactured by Source Pro Industries Co.,Ltd for Ashley Furniture Industries, LLC.



Electric Fireplace Warranty Information

LIMITED WARRANTIES

The following Limited Warranties are given only to the original retail purchaser, subject to all the terms and conditions below. These Limited Warranties are non-transferable:

Ashley Furniture Industries, Inc. (the "Warrantor"), subject to all the limitations and exclusions described in these Limited Warranties, warrants the following products and parts against material manufacturing defects for the duration set forth next to that product or part in the table below.

Product or Part	Limited Warranty Duration	Labor Coverage
Fireplace Unit Fireplace Unit means the electrical components, circuit boards, heating element, blower, remote control, metal, buttons, thermostat, sensors, molded logs (or the equivalent) and glass.	1 Year Limited Warranty from date of purchase	1 Year from date of purchase

LIMITATIONS AND EXCEPTIONS

The following limitation and exceptions apply to the Limited Warranties:

Remedy

Under these Limited Warranties, for all products, the sole liability of Warrantor is limited to repair, or at its option, replacement the applicable product or part not in conformity with these Limited Warranties. REFUNDS ARE NOT AVAILABLE. If within the warranty period, identical materials are unavailable at the time of repair or replacement, Warrantor reserves the right to substitute materials of equal or better quality.

In addition, during the period of any applicable Labor Coverage, Warrantor will pay, within one year from the date of purchase, reasonable and customary labor rates to repair or replace the defective parts (at Warrantor's sole option) and shipping costs from the retailer to and from Warrantor, at no charge to the original retail purchaser. After the expiration of the Labor Coverage or for all products or parts not covered by Labor Coverage, the original retail purchaser will be responsible for labor, packing, and all shipping and transportation costs. The costs associated with transporting the Fireplace Unit or parts from your home to the retailer or from the retailer to your home are excluded from all Limited Warranties.

Any item repaired or replaced under these Limited Warranties will be covered by the Limited Warranties for the remainder of the original warranty period only.

All Products

These Limited Warranties do not apply to (i) rented, business, commercial, institutional, or other non-residential uses, (ii) merchandise that was, at any time, used as a floor sample or display model, (iii) any merchandise purchased "as is" or second-hand, (iv) any merchandise purchased at a distress sale or a going-out-of-business sale, (v) any merchandise purchased from a liquidator, or (vi) merchandise obtained from a rental retailer. All warranties, whether express or implied, cover only normal household usage. No warranty, express or implied, applies to any condition resulting from misuse, abuse, delivery or transportation damage, nor any condition resulting from incorrect or inadequate maintenance, cleaning or care. These Limited Warranties are null and void if the Fireplace Unit has been moved from original point of delivery to consumer.

Chemical Treatments

These Limited Warranties do not cover damages or defects caused by use of chemical treatments or protective coatings on the finish by the retailer or the original retail purchaser, and any such chemical treatments or protective coatings voids all warranties of Warrantor.

Modifications to Products

These Limited Warranties do not apply to any products that have been altered by any person, dealer, or company without the express written authorization of Warrantor.

Implied Warranties

IMPLIED WARRANTIES, INCLUDING ANY OF MERCHANTABILITY AND FITNESS FOR A PARTICULAR PURPOSE IMPOSED ON THE SALE OF THIS FIREPLACE UNIT AND ITS PARTS UNDER STATE LAW, ARE LIMITED IN DURATION TO THE WARRANTY PERIOD AND NO WARRANTIES APPLY AFTER THAT PERIOD. SOME STATES DO NOT ALLOW LIMITATIONS ON HOW LONG AN IMPLIED WARRANTY LASTS, SO THE ABOVE LIMITATIONS MAY NOT APPLY TO YOU.

DISCLAIMER

NO OTHER EXPRESS WARRANTY HAS BEEN MADE OR WILL BE MADE ON BEHALF OF WARRANTOR WITH RESPECT TO THE FIREPLACE UNIT AND ITS PARTS, OR THE OPERATION, REPAIR, OR REPLACEMENT OF THE FIREPLACE UNIT AND ITS PARTS. FURTHERMORE, NO REPRESENTATIVE OF WARRANTOR OR ITS DISTRIBUTORS OR RETAILERS IS AUTHORIZED TO MAKE ANY CHANGES OR MODIFICATIONS TO THESE LIMITED WARRANTIES.

SOME RETAILERS OFFER EXTENDED OR ADDITIONAL WARRANTIES, INCLUDING BUT NOT LIMITED TO EXTENDED OR ADDITIONAL FABRIC WARRANTIES, EITHER FROM THE RETAILER OR THROUGH A THIRD-PARTY. WARRANTOR SHALL NOT BE LIABLE UNDER ANY EXTENDED OR ADDITIONAL WARRANTIES OFFERED BY ANY RETAILER OR THROUGH A THIRD-PARTY UNDER ANY CIRCUMSTANCES.

IN NO EVENT SHALL WARRANTOR BE RESPONSIBLE FOR CONSEQUENTIAL OR INCIDENTAL DAMAGES, SUCH AS LOSS OF USE, INCONVENIENCE, LOSS OR DAMAGE TO PERSONAL PROPERTY, WHETHER INDIRECT OR DIRECT, AND WHETHER ARISING IN CONTRACT OR TORT EVEN IF IT HAD REASON TO KNOW IN ADVANCE THAT SUCH DAMAGES WERE POSSIBLE. SOME STATES DO NOT ALLOW THE EXCLUSION OR LIMITATION OF INCIDENTAL OR CONSEQUENTIAL DAMAGES, SO THE FOREGOING LIMITATION OR EXCLUSION MAY NOT APPLY TO YOU.

IN NO EVENT SHALL WARRANTOR'S RESPONSIBILITY EXCEED THE PURCHASE PRICE OF THE PRODUCT OR ITS REPLACEMENT.

This warranty gives you specific legal rights, and you may also have other rights that vary from state to state.

CAUTION

While in use and for several minutes after use, the Fireplace Unit may get hot. Keep children away from the Fireplace Unit at all times to avoid burn, shock, serious injury or death. Always supervise children to ensure they do not play with or touch the Fireplace Unit. See the Fireplace Unit User Guide for additional important warnings and instructions.

CLAIM PROCEDURE

To obtain warranty services, the original retail purchaser must comply with the requirements of this Claim Procedure.

Contact the Signature Design by Ashley authorized retailer from whom you purchased your Fireplace Unit, to obtain warranty service. All claims must include the original bill of sale, the product serial number, and be filed within the applicable warranty period. Warrantor reserves the right to require defective parts be returned upon request. You must make arrangements with the retailer to schedule the transportation of the Fireplace Unit or parts from your home to the retailer or from the retailer to your home. If the retailer from which you purchased the Fireplace Unit has closed and you need service, contact Ashley in writing or call our Customer Service.

Signature Design by Ashley Brand Warranty and Retailer Information

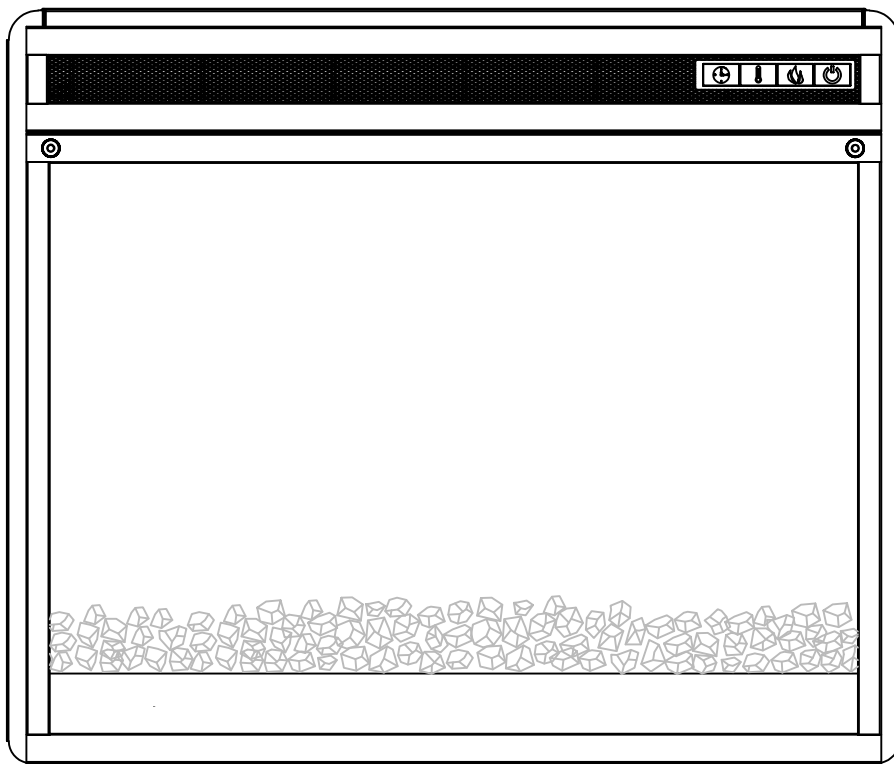
Ashley Furniture Industries, LLC.
 Attn: Warranty Department
 One Ashley Way
 Arcadia, WI 54612
 Customer Service Phone Number: 800-477-1117

© October 2013, Ashley Furniture Industries, LLC. All rights reserved.
 Signature Design by Ashley is a registered trademark of Ashley Furniture Industries, LLC.



Manuel de l'utilisateur du foyer

NUMÉRO DE MODÈLE: W100-02



CONSERVEZ CES INSTRUCTIONS

Table Des Matières

Table des matières	2
RENSEIGNEMENTS IMPORTANTS EN MATIÈRE DE SÉCURITÉ	3-4
PIÈCES ET ASSEMBLAGE	5-7
PRÉPARATION	8
INSTRUCTIONS POUR LA MISE À LA TERRE	8
PRÉPARATION DE L'EMPLACEMENT	9
Choisir l'emplacement de votre foyer	9
Caractéristiques	9
DÉCLARATION DE LA COMMISSION FÉDÉRALE DES COMMUNICATIONS	10
OPÉRATIONS ET FONCTIONNALITÉS	11
Utiliser la télécommande	11
Utiliser le tableau de commande	12
Affichage numérique	13
ENTRETIEN	14
Diode électroluminescente	14
Nettoyage	14
DIRECTIVES EN CAS DE DÉFAILLANCE	15
Politiques de garantie et de retour	15-16

RENSEIGNEMENTS IMPORTANTS EN MATIÈRE DE SÉCURITÉ

VEUILLEZ LIRE ET SUIVRE ATTENTIVEMENT TOUTES LES INFORMATIONS ET INSTRUCTIONS CONTENUES DANS CE GUIDE DE L'UTILISATEUR, Y COMPRIS L'INFORMATION EN MATIÈRE DE SÉCURITÉ, DE FONCTIONNEMENT ET D'ENTRETIEN.

NE PAS SUIVRE DE FAÇON PRÉCISE L'INFORMATION CONTENUE DANS CE MANUEL DE L'UTILISATEUR POURRAIT ENTRAÎNER UN FEU, UNE DÉCHARGE ÉLECTRIQUE, UNE BRÛLURE, LA MORT, D'AUTRES IMPORTANTES BLESSURES OU DES DOMMAGES MATÉRIELS.



AVERTISSEMENT

Votre foyer électrique est complètement assemblé en atelier à l'exception de quelques éléments présentés aux pages 5 à 7. Le foyer ne contient aucune pièce interne réparable par l'utilisateur. Si l'article semble être défectueux, mettez-le hors tension, débranchez-le immédiatement du mur et communiquez avec le service à la clientèle. Toute modification apportée au foyer annulera sa garantie et pourrait causer une défectuosité du foyer, entraînant une décharge électrique, un feu, la mort, d'importantes blessures ou des dommages matériels.



ATTENTION
CHAUD

ATTENTION : PENDANT L'UTILISATION ET PLUSIEURS MINUTES APRÈS L'AVOIR ÉTEINT, DES PARTIES DU FOYER PEUVENT ÊTRE CHAUDES, Y COMPRIS, SANS TOUTEFOIS S'Y LIMITER, SA PARTIE CENTRALE SUPÉRIEURE. EN TOUT TEMPS, NE LAISSEZ PAS LES ENFANTS S'APPROCHER DU FOYER AFIN DE LEUR ÉVITER DES BRÛLURES, DES DÉCHARGES ÉLECTRIQUES, DES BLESSURES IMPORTANTES OU LA MORT. Surveillez toujours les enfants pour vous assurer qu'ils ne jouent pas avec le foyer ou qu'ils n'y touchent pas. Ne placez pas de tissus, de décorations ou autres matières combustibles par-dessus la sortie d'aération du foyer et ne la bloquez pas de quelque façon que ce soit, puisque cela pourrait entraîner un feu, d'importantes blessures ou la mort.

Si vous avez des questions concernant l'utilisation du foyer ou si vous pensez qu'il a besoin de réparations, veuillez communiquer avec Ashley Furniture Industries LLC. au numéro ci-dessous.

1 (866) 436-3393 Service à la clientèle

INSTRUCTIONS IMPORTANTES EN MATIÈRE DE SÉCURITÉ



ATTENTION CHAUD

Veillez lire et suivre toutes les instructions avant d'utiliser ce foyer. Le fait de ne pas suivre toutes les instructions en matière de sécurité pourrait entraîner d'importantes blessures, la mort ou des dommages matériels.

Dans le but de réduire le risque de feu, de décharge électrique, de blessures, de mort et de dommages matériels, des précautions de base devraient toujours être prises lors de l'utilisation d'appareils électriques. Ces précautions incluent notamment les suivantes :

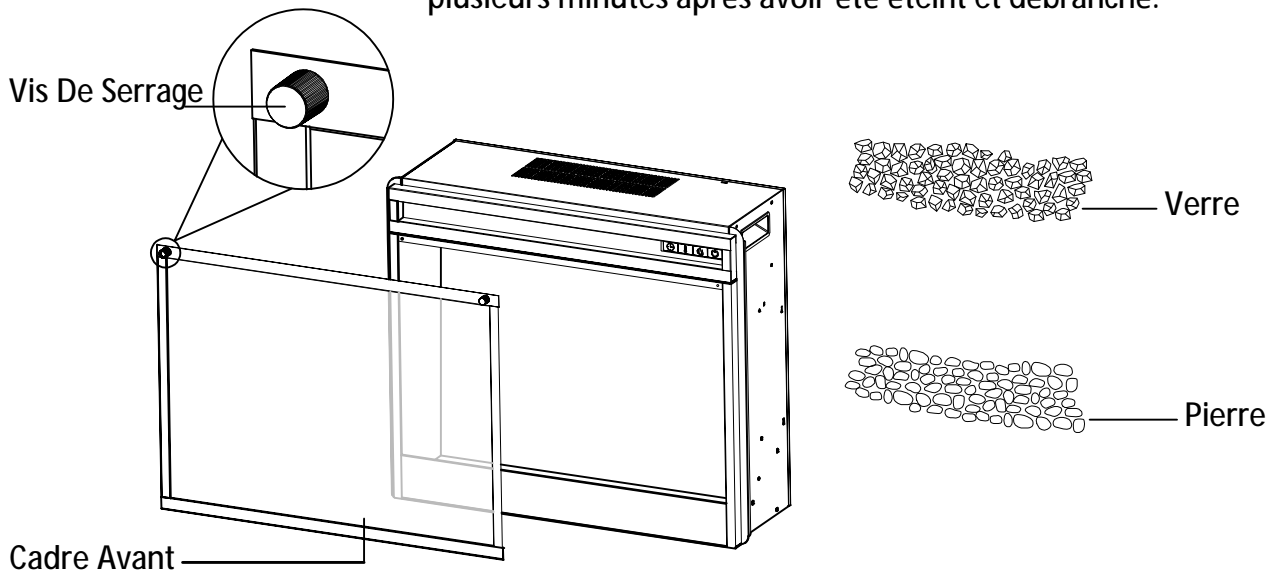
1. Ce foyer est chaud lorsqu'il est utilisé et le reste pendant plusieurs minutes après avoir été éteint. Pour éviter les brûlures, ne touchez pas aux surfaces chaudes du foyer comme les zones de circulation d'air chaud. **NE TENTEZ PAS DE BOUGER LE FOYER PENDANT QU'IL EST BRANCHÉ, QU'IL FONCTIONNE OU PLUSIEURS MINUTES APRÈS QU'IL A ÉTÉ ÉTEINT.** Si des poignées vous ont été fournies, utilisez-les lorsque vous déplacez ce foyer. Éloignez d'au moins 0,9 m (3 pi) du foyer toutes les matières combustibles comme les meubles, les coussins, les couvertures, les papiers, les vêtements et les rideaux.
2. Éloignez toujours les enfants du foyer ou assurez-vous de les surveiller quand ils en sont près.
3. Débranchez toujours le foyer lorsqu'il n'est pas utilisé.
4. Pour éviter tout risque de décharge électrique, de feu, de mort, d'importantes blessures et de dommages matériels, n'utilisez pas le foyer si le cordon électrique ou la fiche électrique sont endommagés ou si le foyer est défectueux, est tombé ou a été endommagé de quelque façon que ce soit. Veuillez communiquer avec le service à la clientèle.
5. **N'UTILISEZ PAS LE FOYER À L'EXTÉRIEUR** puisque cela pourrait entraîner une décharge électrique, un feu, la mort, d'importantes blessures ou des dommages matériels.
6. Ce foyer n'est pas destiné à une utilisation dans les toilettes, les salles de lavage ou tout autre endroit se trouvant près de l'eau ainsi qu'où le foyer pourrait devenir mouillé. Ne placez jamais le foyer dans un endroit où il pourrait tomber dans un bain ou dans toute autre source d'eau. Le fait de ne pas suivre cette instruction pourrait entraîner une décharge électrique, un feu, d'importantes blessures, la mort ou des dommages matériels.
7. Ne placez pas le cordon d'alimentation sous un tapis. Ne recouvrez pas le cordon d'alimentation de carpettes, de chemins de table ou d'autres objets semblables. Placez le cordon d'alimentation où il n'y a pas de circulation et où personne n'y trébuchera ou ne l'endommagera.
8. Pour débrancher le foyer, éteignez les commandes, puis retirez la fiche électrique de la prise de courant.
9. Ne branchez le foyer que sur des prises de courant correctement mises à la terre.
10. N'insérez pas de corps étrangers dans les bouches de ventilation ou d'extraction d'air et empêchez que des corps étrangers y entrent, puisque cela pourrait entraîner une décharge électrique, un feu, d'importantes blessures ou la mort.
11. Pour prévenir la possibilité de feu, n'obstruez en aucune façon les entrées ou évacuations d'air du foyer. N'utilisez pas le foyer sur des surfaces moelleuses (comme un lit) où les ouvertures pourraient se retrouver bloquées.
12. Un foyer contient des pièces chaudes et produisant des arcs électriques ou des étincelles. N'utilisez pas le foyer dans des endroits où de l'essence, de la peinture ou d'autres liquides ou gaz inflammables sont utilisés ou rangés.
13. Un thermostat de limite de température se trouve à l'intérieur du foyer. Lorsque la température interne égale ou dépasse le niveau de thermostat déterminé ou si un réchauffement anormal se produit, le thermostat de protection coupe l'alimentation pour éviter que le foyer subisse des dommages ou qu'un feu se produise.
14. N'utilisez ce foyer que de la façon décrite dans ce manuel de l'utilisateur. Le fait de ne pas suivre cette instruction ou d'utiliser le foyer d'une manière non mentionnée dans le présent manuel pourrait entraîner un feu, une décharge électrique, la mort, d'importantes blessures ou des dommages matériels.
15. Branchez toujours le foyer directement sur une prise de courant murale mise à la terre. N'utilisez jamais le foyer avec une rallonge électrique ou une barre d'alimentation.

CONSERVEZ CES INSTRUCTIONS

PIÈCES ET ASSEMBLAGE

⚠ AVERTISSEMENT

Débranchez le foyer avant de l'assembler ou de le démonter. Le fait de ne pas suivre cette instruction pourrait entraîner d'importantes blessures ou la mort. L'article peut rester chaud plusieurs minutes après avoir été éteint et débranché.



Des vis de serrage sont fixées au cadre avant et sont destinées à y demeurer de façon permanente; elles ne devraient pas être enlevées.

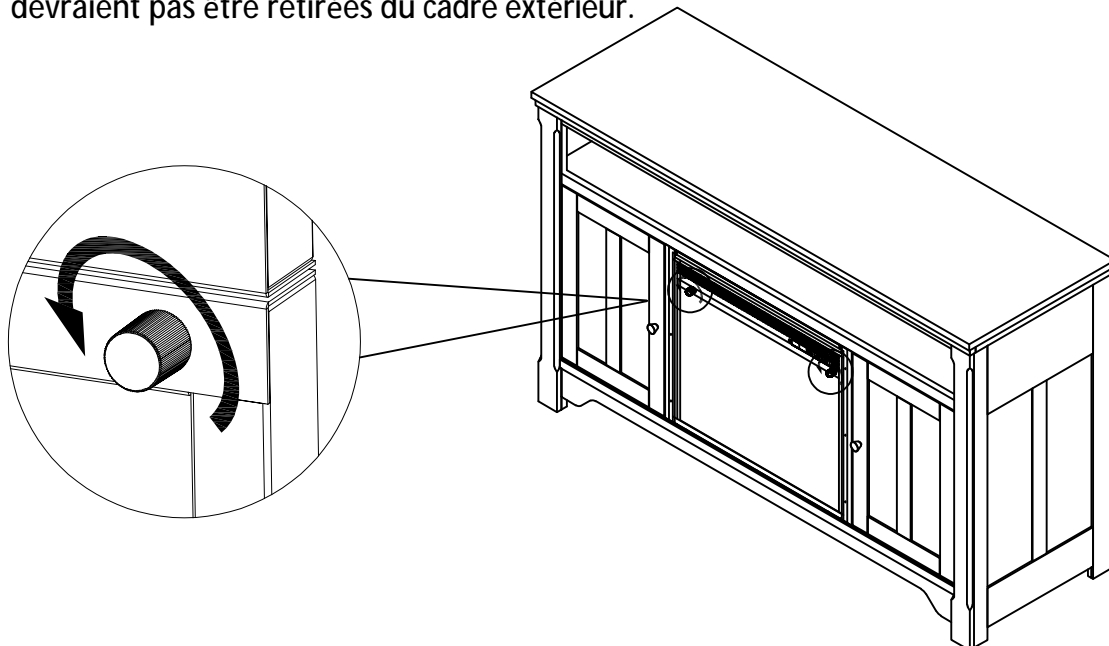
Vous avez la possibilité d'utiliser des pièces de verre ou des pierres dans votre foyer.

⚠ AVERTISSEMENT

Les pièces de verre et les pierres ne sont pas des jouets. Ne laissez pas les enfants s'approcher des pièces de verre et des pierres ni jouer avec ces dernières puisqu'elles pourraient présenter un risque d'étouffement.

Étape 1 :

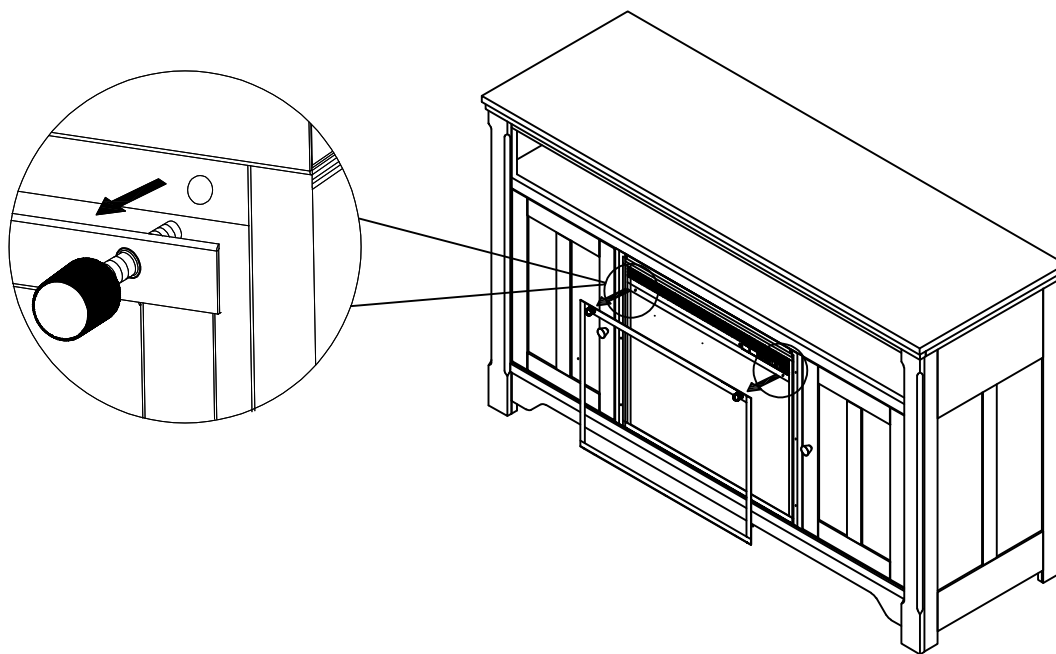
Placez l'article sur une surface non abrasive. Tournez les deux vis de serrage dans le sens contraire des aiguilles d'une montre pour les desserrer. Les vis de serrage ne devraient pas être retirées du cadre extérieur.



PIÈCES ET ASSEMBLAGE

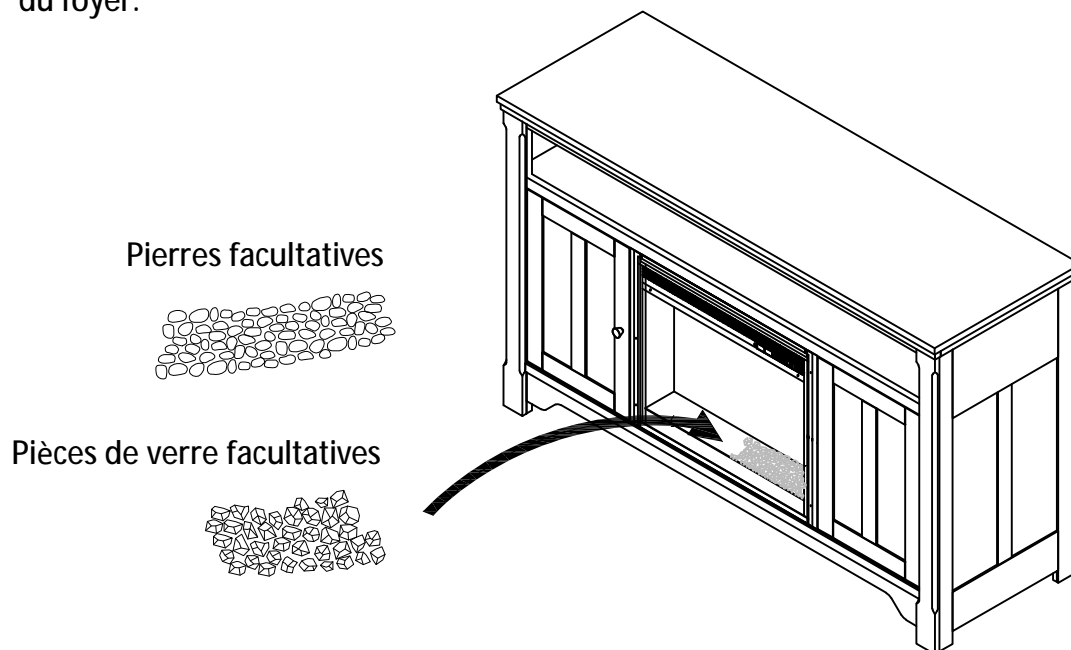
Étape 2 :

Une fois que les vis de serrage sont entièrement desserrées, le cadre avant peut être retiré.



Étape 3 :

Les pièces de verre et les pierres sont facultatives; elles peuvent être placées au fond du foyer.

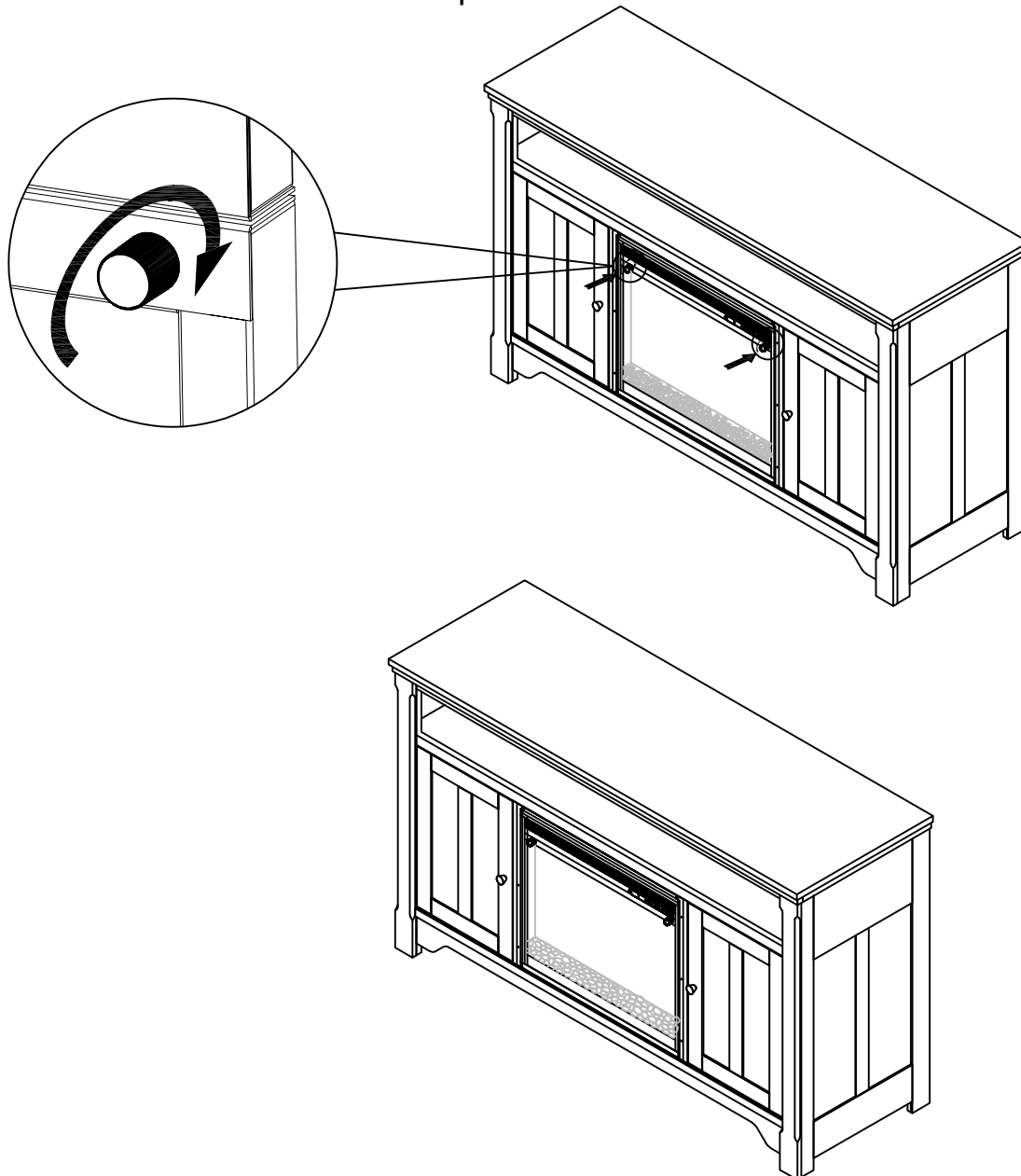


PIÈCES ET ASSEMBLAGE

Étape 4 :

Tournez les vis de serrage droite et gauche jusqu'à ce qu'elles soient bien serrées afin de fermer le cadre avant.

L'illustration ci-dessous montre l'étape 2.



AVERTISSEMENT

Afin d'éviter que le cadre tombe vers l'avant, assurez-vous que les vis de serrage sont fixées correctement.

PRÉPARATION

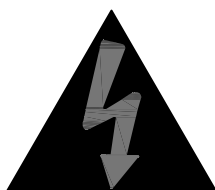
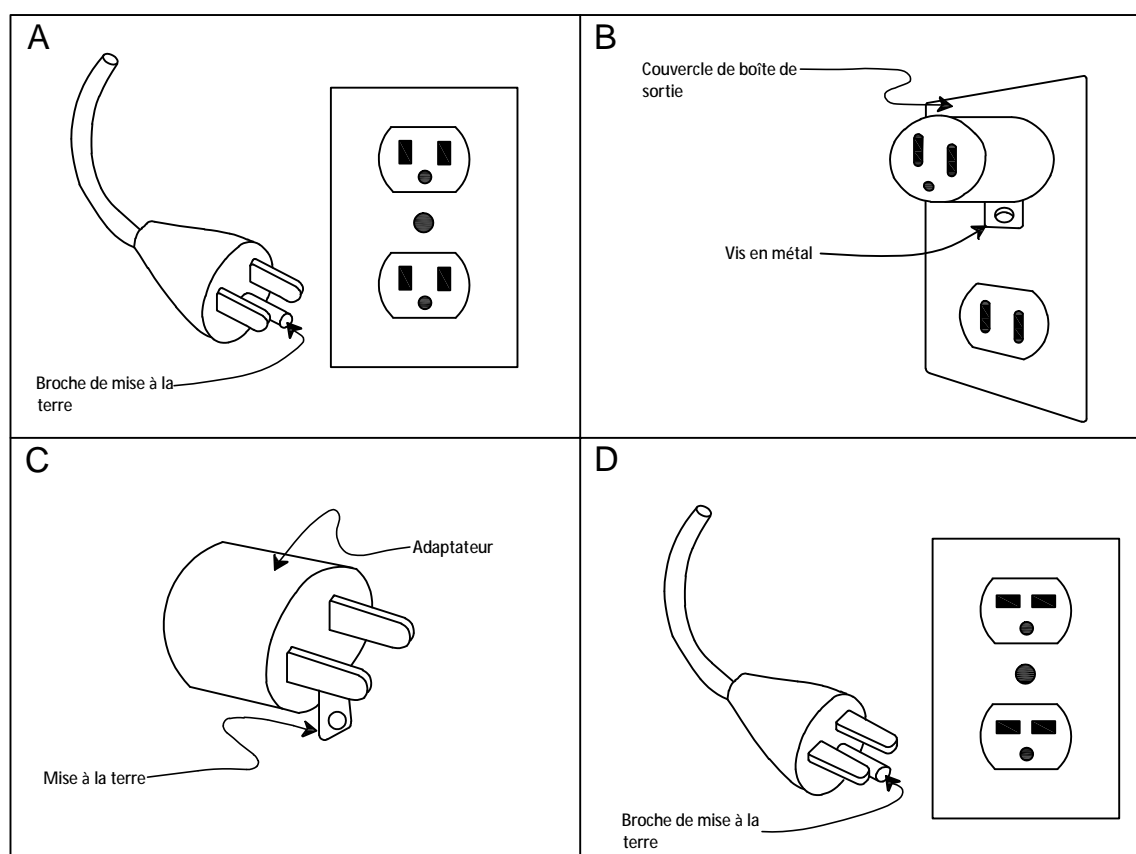
INSTRUCTIONS POUR LA MISE À LA TERRE

Ce produit doit être mis à la terre. Ce produit est fourni avec un cordon électrique composé d'un conducteur de mise à la terre d'équipement et d'une fiche de mise à la terre. La fiche électrique doit être branchée sur une prise de courant appropriée qui est correctement installée et mise à la terre, en respectant tous les codes et toutes les ordonnances de votre région.

Ce foyer doit être utilisé dans un circuit de 120 volts et se compose d'une fiche de mise à la terre qui ressemble à celle illustrée dans

la figure 1. Référez-vous à la figure 1 pour obtenir des instructions sur la mise à la terre. Il existe un adaptateur comme celui présenté dans la fenêtre C pour brancher des fiches de mise à la terre à trois broches sur des prises à deux fentes. La fiche de mise à la terre verte reliée à l'adaptateur doit être branchée sur une mise à la terre permanente, comme une boîte de sortie correctement mise à la terre. L'adaptateur ne devrait pas être utilisé si une prise mise à la terre à trois broches est disponible.

Figure 1



Connecter incorrectement le conducteur de mise à la terre de l'équipement pourrait entraîner un risque de décharge électrique et par le fait même causer d'importantes blessures, la mort ou des dommages matériels. Veuillez consulter un électricien ou un agent de service qualifié si vous n'êtes pas certain que le produit est correctement mis à la terre. N'apportez pas de modifications à la fiche électrique fournie avec le produit. Si elle n'est pas compatible avec la prise de courant, demandez à un électricien qualifié d'installer une prise appropriée.

Remarque :

Un circuit de 15 ampères et de 120 volts est nécessaire. Il est préférable d'utiliser un circuit distinct, même si ce n'est pas toujours nécessaire. Un circuit distinct sera nécessaire si le disjoncteur se déclenche après l'installation ou si un fusible saute régulièrement lorsque le foyer fonctionne. Brancher d'autres appareils électriques sur le même circuit pourrait entraîner une surcharge relative au courant nominal du disjoncteur.

PRÉPARATION DE L'EMPLACEMENT

Pour réduire le risque de feu, de décharge électrique, de dommages matériels, d'importantes blessures ou de mort, assurez-vous que le cordon d'alimentation n'est pas comprimé ou placé contre un objet pointu et qu'il est rangé et attaché pour éviter que les gens y trébuchent.

Choisir l'emplacement de votre foyer

Lisez et suivez les instructions importantes en matière de sécurité présentées dans ce manuel de l'utilisateur. Le fait de ne pas suivre ces instructions pourrait entraîner d'importantes blessures, la mort ou des dommages matériels.

⚠ AVERTISSEMENT

Le non-respect d'un écart minimal de 1-1/2 pouces (environ 3,8 cm) entre le dessus de l'insert du foyer électrique et le dessus du meuble (voir le diagramme 1) pourrait entraîner un incendie, des blessures corporelles, la mort ou des dommages matériels.

Un écart minimum de 1 pouce (environ 2,5 cm) doit être prévu entre le bord arrière des côtés du meuble et le mur pour permettre l'entrée d'air pour le radiateur (voir le diagramme 2). Sinon, le dispositif de protection contre la surchauffe sera activé, l'erreur E1 sera affichée et le radiateur cessera de fonctionner.

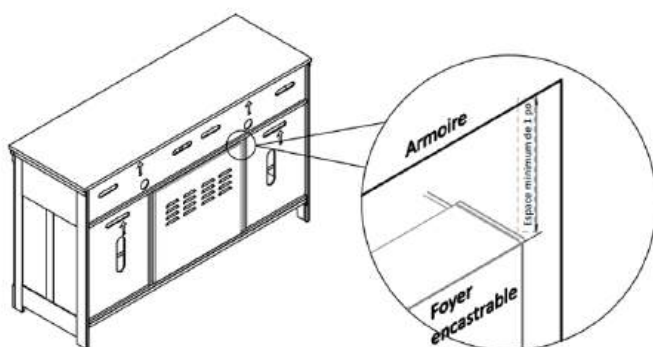


Diagramme 1

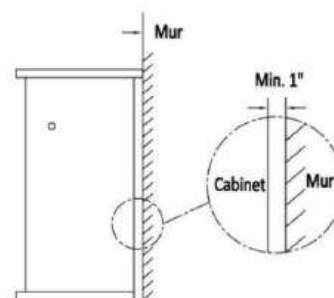



Diagramme 2

Caractéristiques

Dimensions du foyer encastrable (L x P x H)	603x210x509mm
Poids brut	18.81 KGs/41.4 LBs
Voltage	120V
Fréquence	60Hz
Watts/ampères	1400W
Puissance nominale du radiateur	1250 à 1350 W
BTU/heure	4266 à 4608 BTU/h

DÉCLARATION DE LA COMMISSION FÉDÉRALE DES COMMUNICATIONS

 REMARQUE : Après avoir subi des tests, cet équipement a été classé dans les limites de la catégorie d'un appareil numérique de classe B en accord avec la partie 15 des directives de la Commission fédérale des communications. Ces limites sont conçues pour fournir une protection raisonnable contre les interférences nuisibles dans un environnement domestique. Cet équipement génère, utilise et peut émettre de l'énergie radiofréquence. S'il n'est pas installé et utilisé conformément aux instructions, il risque de provoquer des interférences nuisibles aux communications radio. Toutefois, rien ne garantit qu'une configuration donnée n'engendrera pas des interférences. Si cet équipement cause des interférences nuisibles à la réception radio ou à la réception de télévision, ce qui peut être vérifié en éteignant et en rallumant l'équipement, l'utilisateur est encouragé à essayer de corriger la situation d'interférence à l'aide d'une ou plusieurs des mesures suivantes :

- 1: Réorienter ou déplacer l'antenne de réception.
- 2: Éloigner l'équipement du récepteur.
- 3: Brancher l'équipement sur une prise de courant reliée à un autre circuit que celui de la prise sur laquelle le récepteur est branché.
- 4: Obtenir de l'aide du détaillant ou d'un technicien de radio et de télévision.

Cet appareil est conforme à la partie 15 des directives de la Commission fédérale des communications. Le fonctionnement de l'appareil est sujet aux deux conditions suivantes.

- 1): Cet appareil ne doit pas causer d'interférences nuisibles; et
- 2): cet appareil doit accepter toute interférence reçue, y compris les interférences pouvant entraîner un fonctionnement indésirable.

Toute modification non approuvée par la partie responsable de la conformité pourrait annuler l'autorisation de l'utilisateur de se servir de cet appareil

OPÉRATIONS ET FONCTIONNALITÉS

Utiliser la télécommande

Alimentation

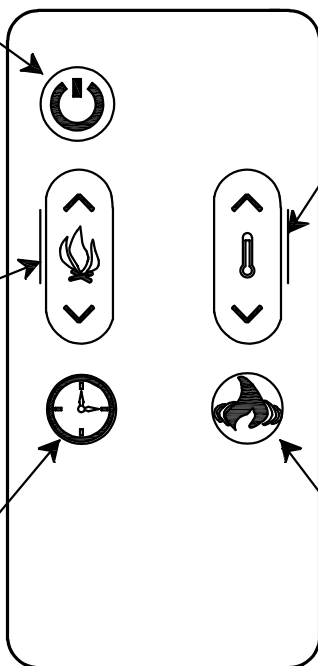
Ce bouton sert à mettre l'article sous tension et hors tension. Lorsque l'article est remis sous tension, le système garde en mémoire le dernier réglage de chaleur utilisé. Conserve les réglages de la flamme et de la chaleur.

Réglage de la luminosité

Cette commande vous permet d'augmenter ou de diminuer la luminosité de la flamme. Remarque : Lorsque l'article est mis hors tension, les bûches s'éteignent complètement en 3 secondes.

Minuterie

Cette fonction vous permet de programmer la mise hors tension automatique du foyer après la durée indiquée à l'écran. La minuterie peut être réglée entre 10 minutes et 9 heures. L'écran indiquera 10, 20, 30, 40, 50, 1H, 2H, 3H, 4H, 5H, 6H, 7H, 8H ou 9H. Ne laissez pas le foyer en marche sans surveillance.



Réglage de la température

Cette commande vous permet de programmer le thermostat. Le foyer peut être utilisé sans chauffage si désiré. Faites défiler le réglage jusqu'à ce qu'aucune température ne soit affichée. Maintenez enfoncée la flèche vers le bas pendant cinq secondes pour alterner entre l'affichage de la température en °F (Fahrenheit) et en °C (Celsius). Le mode Chaleur doit être activé.

Braise dynamique

Cette fonction fait automatiquement varier l'intensité selon laquelle luisent les braises du feu afin de créer un feu d'apparence plus réaliste.

Utiliser le panneau de commande

Minuterie/Braise dynamique

Cette commande vous permet de programmer la mise hors tension automatique du foyer. Pour activer la braise dynamique, appuyez pendant 5 secondes, puis appuyez de nouveau après avoir entendu un bip. Pour désactiver la fonction, maintenez le bouton de minuterie enfoncé pendant 5 secondes.

Réglage de la température

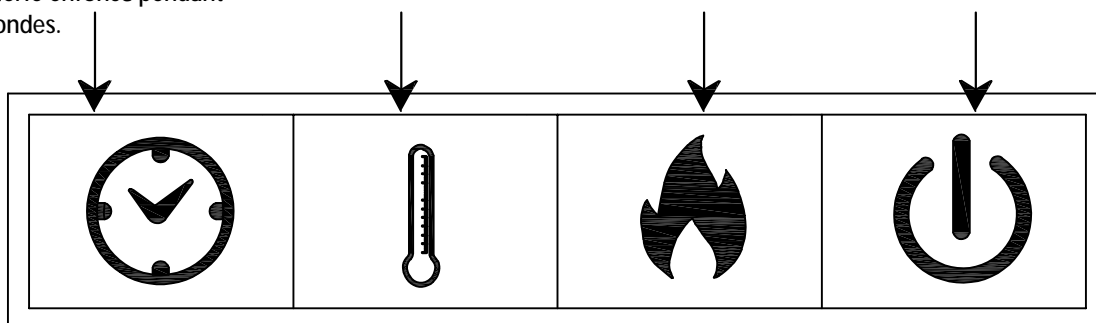
Cette commande vous permet de programmer le thermostat. Le foyer peut être utilisé sans chauffage si désiré. Faites défiler le réglage jusqu'à ce qu'aucune température ne soit affichée. Maintenez enfoncé le bouton pendant cinq secondes pour alterner entre l'affichage de température en °F (Fahrenheit) et en °C (Celsius).

Réglage de la luminosité

Cette commande fait défiler les cinq niveaux de luminosité de la flamme.

Alimentation

Ce bouton sert à mettre l'article sous tension et hors tension. Lorsque l'article est remis sous tension, le système utilise les réglages par défaut.



La télécommande du foyer

La télécommande permet d'utiliser toutes les fonctions du panneau de commande avant pour une flexibilité et une commodité accrues lors de la modification des réglages.

Avant tout, retirez la pellicule de plastique recouvrant la pile de la télécommande (la pile est comprise avec la télécommande). Vous pouvez acheter des piles de recharge dans tous les magasins d'articles électroniques. Le numéro de pièce de la pile est le CR2025. Suivez les étapes ci-dessous pour remplacer la pile.

1. Retirez le support de la pile et repérez le compartiment à pile. (Figure 1)

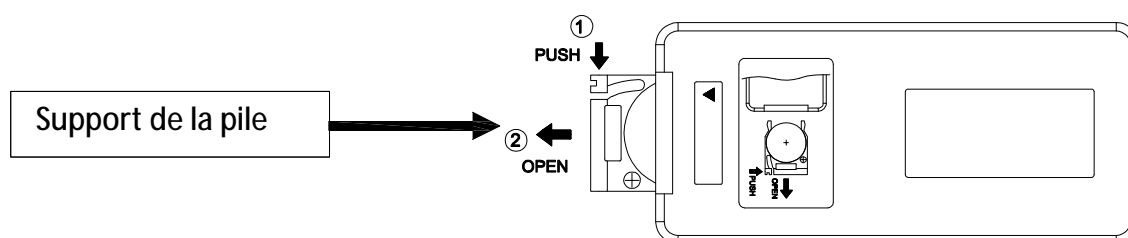


Figure 1

2. Le numéro de la pile est le CR2025. L'un des côtés de la pile présente un relief et l'autre est plat. (Figure 2)

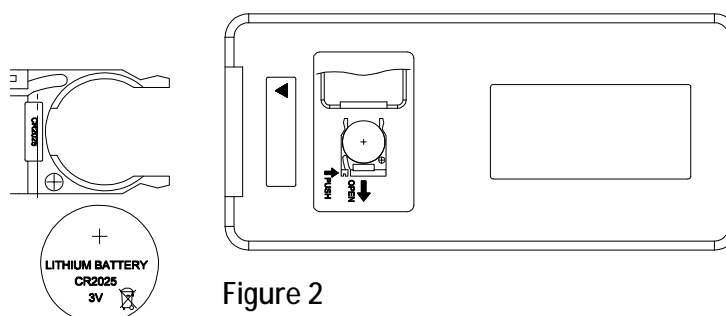


Figure 2

3. Insérez la pile en plaçant le côté présentant un relief à l'intérieur du compartiment et assurez-vous que la pile est solidement mise en place. (Figure 3)

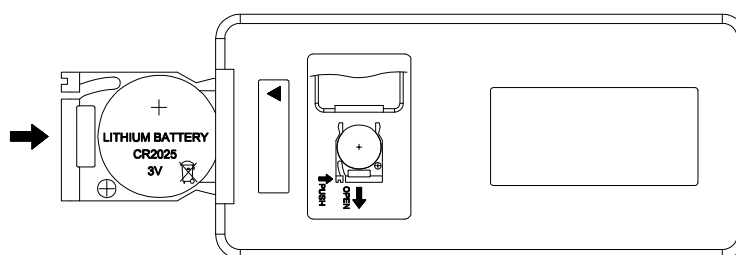


Figure 3

4. Press the battery bracket into the remote control, making sure it snaps into position. (Figure 4)

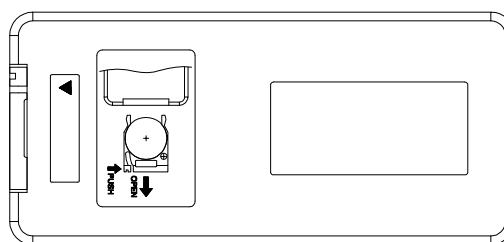


Figure 4

Affichage numérique

Fonction de minuterie

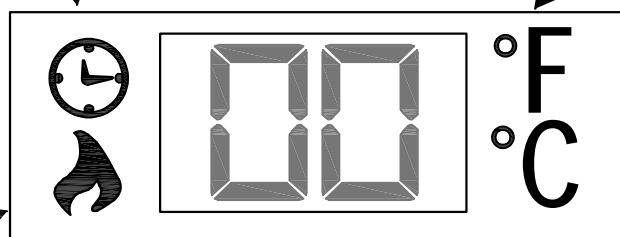
Cette icône s'allume en bleu lorsque la fonction de mise hors tension minutée est activée. Une durée entre 10 minutes et 9 heures s'affichera sur l'écran principal. L'écran indiquera 10, 20, 30, 40, 50, 1H, 2H, 3H, 4H, 5H, 6H, 7H, 8H, 9H ou OFF.

Thermostat

La température s'affichera sur l'écran principal, suivie de °F ou de °C. Si désiré, le foyer peut être utilisé sans émettre de chaleur. Pour ce faire, faites défiler le réglage jusqu'à ce qu'aucune température ne soit affichée.

Flamme

Cette icône s'allume en bleu lorsque vous réglez la luminosité de la flamme. Le réglage s'affichera sur l'écran principal. L1 équivaut à la plus faible luminosité et L5, à la plus forte.



Écran principal

⚠ REMARQUE :

Lorsque l'article est mis hors tension, les bûches prennent 3 secondes pour s'éteindre complètement; cette fonctionnalité vise à recréer l'apparence de la braise qui s'éteint lentement.

⚠ REMARQUE :

Même si le foyer est hors tension, il peut rester chaud plusieurs minutes après avoir été éteint. Le ventilateur pourrait rester en fonction afin d'éviter une surchauffe.

ENTRETIEN

Diode électroluminescente

Ce foyer est doté de DEL (diodes électroluminescentes) au lieu d'ampoules ordinaires. Elles permettent d'obtenir le même niveau de luminosité que des ampoules traditionnelles tout en consommant beaucoup moins d'énergie. Ces DEL ne nécessitent aucun entretien et ne devraient pas avoir à être remplacées pendant la durée de vie du produit.

Nettoyage



**ATTENTION
CHAUD**

ATTENTION : PENDANT SON FONCTIONNEMENT ET PENDANT PLUSIEURS MINUTES APRÈS L'UTILISATION, LE FOYER PEUT ÊTRE CHAUD Y COMPRIS, SANS TOUTEFOIS S'Y LIMITER, SA PARTIE CENTRALE SUPÉRIEURE.

Afin de réduire le risque d'incendie, de décharge électrique, de blessure et de décès, faites preuve de prudence lorsque vous effectuez l'entretien ou le nettoyage de l'article.



AVERTISSEMENT

Lorsque vous transportez ou entreposez l'article et son cordon d'alimentation, assurez-vous que l'article est débranché et qu'il a eu le temps de refroidir. Le foyer et le cordon d'alimentation doivent être conservés dans un endroit sec et exempt de vibrations et de poussière afin d'éviter les dommages.

Avant de nettoyer le foyer, assurez-vous qu'il est hors tension, débranché et qu'il a eu le temps de refroidir afin de réduire les risques de brûlure, d'incendie, de décharge électrique, de blessure grave et de décès. Époussetez l'article à l'aide d'un linge propre et sec. Nettoyez les surfaces peintes à l'eau tiède avec un linge propre. N'utilisez pas de nettoyeurs abrasifs.

Nettoyez le panneau vitré de l'article à l'aide d'un nettoyant à vitre ininflammable ordinaire.

ASHLEY FURNITURE INDUSTRIES, LLC., SES FILIALES, SES SOCIÉTÉS AFFILIÉES, SES DIRIGEANTS, SES AGENTS ET SES REPRÉSENTANTS (COLLECTIVEMENT, « AFI ») NE PEUVENT EN AUCUN CAS ÊTRE TENUS RESPONSABLES À L'ENDROIT DE L'ACHETEUR OU DE TOUT AUTRE TIERS POUR TOUTE PERTE, TOUT DOMMAGE ET TOUT COÛT INDIRECT, SPÉCIAL, PUNITIF, EXEMPLAIRE, CONSÉCUTIF OU ACCESSOIRE DÉCOULANT DE LA VENTE, DE L'ENTRETIEN, DE L'UTILISATION OU DE L'INCAPACITÉ D'UTILISER LE FOYER, OU ASSOCIÉ À CEUX-CI, QU'IL SE PRODUISE DANS LE RESPECT DU CONTRAT OU NON, MÊME SI AFI OU SES DIRIGEANTS, SES AGENTS OU SES REPRÉSENTANTS ONT ÉTÉ AVISÉS DE LA POSSIBILITÉ QUE DE TELLES PERTES, DE TELS COÛTS OU DE TELS DOMMAGES SE PRODUISSENT OU SI LESDITES PERTES, LESDITS COÛTS OU LESDITS DOMMAGES SONT PRÉVISIBLES. AFI N'EST EN AUCUN CAS RESPONSABLE DE TOUTE PERTE, DE TOUT COÛT OU DE TOUT DOMMAGE DÉPASSANT LE PRIX DU PRODUIT.

CERTAINS TRIBUNAUX NE PERMETTENT PAS LA LIMITATION OU L'EXCLUSION DES DOMMAGES ACCESSOIRES OU INDIRECTS; LES LIMITATIONS ET LES EXCLUSIONS CI-DESSUS POURRAIENT DONC NE PAS S'APPLIQUER À VOTRE CAS.

DIRECTIVES EN CAS DE DÉFAILLANCE

Le foyer ne contient aucune pièce interne réparable par l'utilisateur. Si l'article semble être défectueux, mettez-le hors tension et débranchez-le immédiatement du mur. Veuillez communiquer avec le magasin où l'achat a été effectué et présentez le reçu d'achat original ou composez le 1 (866) 436-3393. Si vous avez des questions ou des préoccupations concernant la réparation. Toute modification apportée au foyer annulera sa garantie et pourrait causer une défectuosité du foyer, entraînant une décharge électrique, un feu, la mort, d'importantes blessures ou des dommages matériels.

PROBLÈME	SOLUTION
1: L'article n'est pas alimenté en courant ou ne fonctionne pas	1.1: Vérifiez si l'article est branché sur une prise ordinaire de 120 V. 1.2: Appuyez sur le bouton d'alimentation du panneau de commande.
2: Des flammes apparaissent, mais le foyer n'émet pas de chaleur	2.1: Assurez-vous que la température réglée est supérieure à la température de la pièce. 2.2: Essayez de mettre le foyer hors tension et sous tension à plusieurs reprises pour vous assurer qu'il est en position « ON ».
3: Le foyer ne fonctionne pas, mais les interrupteurs d'alimentation et du foyer sont en position « ON » et le thermostat est réglé à « 99 »	3.1: Placez tous les interrupteurs en position « OFF » et débranchez l'article de la prise murale. Attendez 5 à 10 minutes, puis branchez l'article de nouveau et utilisez-le normalement.
4: L'écran du panneau de commande affiche "■■" et l'indicateur de fonction clignote rapidement pour montrer qu'il est en mode d'alerte.	4.1: Débranchez l'article de la prise murale. Attendez 5 à 10 minutes, puis branchez l'article de nouveau et utilisez-le normalement.
5: Seule l'icône de la flamme s'affiche et l'écran n'indique pas les niveaux de luminosité de la flamme (c.-à-d. L1, L2...) lorsque vous appuyez sur le bouton de réglage.	5.1: Maintenez le bouton de réglage de la flamme enfoncé pendant 5 secondes. Le foyer émettra un bip; les niveaux de luminosité de la flamme devraient ensuite s'afficher.

Politiques de garantie et de retour

Veuillez vous reporter à la carte de garantie incluse. Conservez ce guide et la carte de garantie pour vous y référer ultérieurement.

Fabriqué par Source Pro Industries Co., Ltd pour Ashley Furniture Industries, LLC.



Renseignements sur la garantie du foyer électrique

GARANTIES LIMITÉES

Les présentes garanties limitées sont uniquement valides pour l'acheteur au détaillant initial. L'acheteur est assujéti aux conditions d'utilisation ci-dessous. Ces garanties limitées ne sont pas transférables :

Ashley Furniture Industries, Inc. (le «garant») garantit, conformément à toutes les restrictions et exclusions décrites dans les présentes garanties limitées, les pièces et les produits suivants contre les défauts de fabrication pour la période indiquée pour chaque produit ou pièce figurant dans le tableau ci-dessous.

Produit ou pièce	Durée de la garantie limitée	Couverture de la main-d'œuvre
Foyer Le terme foyer désigne les composants électriques, les cartes de circuit imprimé, l'élément chauffant, le ventilateur, la télécommande, le métal, les boutons, le thermostat, les capteurs, les bûches moulées (ou l'équivalent) et la vitre.	Garantie limitée de 1 an à compter de la date d'achat	1 an à compter de la date d'achat

RESTRICTIONS ET EXCEPTIONS

Les restrictions et exceptions suivantes s'appliquent aux garanties limitées :

Réparation

En application des présentes garanties limitées, pour tous les produits, la seule responsabilité du garant se limite à la réparation, ou à sa discrétion, au remplacement du produit ou de la pièce applicable qui n'est pas conforme aux présentes garanties limitées. AUCUN REMBOURSEMENT NE SERA EFFECTUÉ. Si, durant la période de garantie, des matériaux identiques ne sont pas en stock au moment de la réparation ou du remplacement, le garant se réserve le droit d'utiliser des matériaux de qualité égale ou supérieure.

De plus, pendant la durée de toute couverture des frais de main-d'œuvre, le garant paiera, dans l'année suivant la date d'achat, des frais habituels et raisonnables de réparation ou de remplacement des composants défectueux (à la seule discrétion du garant) ainsi que les frais de livraison entre le détaillant et le garant, sans imposer de frais à l'acheteur au détaillant initial. Après l'expiration de la couverture des frais de main-d'œuvre ou en ce qui concerne l'ensemble des produits ou des pièces dont les frais de main-d'œuvre ne sont pas couverts, l'acheteur initial est responsable de tous les frais de main-d'œuvre, d'emballage, de livraison et de manutention. Les coûts associés au transport du foyer ou des pièces de votre domicile jusqu'au détaillant ou encore du détaillant jusqu'à votre domicile sont exclus de toutes les garanties limitées.

Tout article réparé ou remplacé conformément aux présentes garanties limitées sera couvert par les garanties limitées pour le reste de la période initiale seulement.

Tous les produits

Les garanties limitées ne s'appliquent pas (i) à la marchandise utilisée à des fins de location, dans une entreprise, pour une utilisation commerciale ou institutionnelle ou pour une autre utilisation non résidentielle, (ii) à la marchandise ayant servi à tout moment de modèle ou d'article en montre, (iii) à la marchandise achetée « telle quelle » ou à la marchandise usagée, (iv) à toute marchandise achetée lors d'une vente sur saisie-gagerie ou d'une vente de faillite, (v) à toute marchandise achetée à un liquidateur, ou (vi) à la marchandise obtenue dans un centre de location. Toutes les garanties, expresses ou implicites, couvrent uniquement l'usage normal à domicile. Aucune garantie, expresse ou implicite, ne s'applique à un défaut causé par une mauvaise utilisation ou par un dommage lors de la livraison ou du transport, ni à tout défaut résultant d'une maintenance, d'un nettoyage ou d'un entretien inadéquat ou impropre. Les présentes garanties limitées sont nulles et non avenues si le consommateur a déplacé le foyer de son endroit original de livraison.

Traitements chimiques

Les garanties limitées ne couvrent pas les dommages ou les défauts causés par l'utilisation de traitements ou de revêtements protecteurs chimiques sur le fini par l'acheteur ou le détaillant initial, et toute utilisation de tels traitements ou revêtements protecteurs chimiques annule la garantie offerte par le garant.

Modifications aux produits

Les garanties limitées ne s'appliquent pas aux produits qui ont été modifiés par toute personne, tout détaillant ou toute entreprise sans l'autorisation écrite expresse du garant.

Garanties implicites

LA DURÉE DES GARANTIES IMPLICITES, Y COMPRIS LES GARANTIES DE QUALITÉ MARCHANDE ET DE CONVENANCE À UNE UTILISATION PRÉCISE IMPOSÉES LORS DE LA VENTE DU FOYER ET DE SES PIÈCES EN VERTU DE LA LOI DE L'ÉTAT, SE LIMITE À LA PÉRIODE DE GARANTIE, ET AUCUNE GARANTIE NE S'APPLIQUE APRÈS CETTE PÉRIODE. CERTAINS ÉTATS NE PERMETTENT PAS DE LIMITATIONS SUR LA DURÉE D'UNE GARANTIE IMPLICITE; LES LIMITATIONS CI-DESSUS PEUVENT DONC NE PAS S'APPLIQUER À VOUS.

AVIS DE NON-RESPONSABILITÉ

AUCUNE AUTRE GARANTIE EXPRESSE N'A ÉTÉ PRÉSENTÉE NI NE SERA PRÉSENTÉE PAR LE GARANT À L'ÉGARD DE CE FOYER ET DE SES PIÈCES OU DU FONCTIONNEMENT, DE LA RÉPARATION OU DU REMPLACEMENT DU FOYER ET DE SES PIÈCES. DE PLUS, AUCUN REPRÉSENTANT DU GARANT OU DE SES DISTRIBUTEURS OU DÉTAILLANTS N'EST AUTORISÉ À EFFECTUER DES CHANGEMENTS OU DES MODIFICATIONS AUX PRÉSENTES GARANTIES LIMITÉES.

CERTAINS DÉTAILLANTS OFFRENT DES GARANTIES PROLONGÉES OU SUPPLÉMENTAIRES, Y COMPRIS MAIS SANS S'Y LIMITER DES GARANTIES PROLONGÉES OU SUPPLÉMENTAIRES SUR LES TISSUS, OFFERTES SOIT PAR LE DÉTAILLANT OU PAR UNE TIÈRCE PARTIE. EN TOUTES CIRCONSTANCES, LE GARANT N'A AUCUNE RESPONSABILITÉ RELATIVE À TOUTE GARANTIE PROLONGÉE OU SUPPLÉMENTAIRE OFFERTE PAR UN DÉTAILLANT OU PAR L'INTERMÉDIAIRE D'UNE TIÈRCE PARTIE.

LE GARANT N'EST RESPONSABLE EN AUCUN CAS DES DOMMAGES INDIRECTS OU CONSÉCUTIFS TELS QU'UNE PERTE DE L'UTILISATION, UN DÉRANGEMENT, UNE PERTE OU UN DOMMAGE CAUSÉ À UN BIEN PERSONNEL, QUE CE SOIT DIRECTIEMENT OU INDIRECTEMENT, ET QUE LES DOMMAGES SE PRODUISSENT DANS LE RESPECT DU CONTRAT OU NON, MÊME S'IL EXISTAIT DES MOTIFS INDIQUANT QUE DE TELS DOMMAGES ÉTAIENT POSSIBLES. CERTAINS ÉTATS NE PERMETTENT PAS LA LIMITATION OU L'EXCLUSION DES DOMMAGES ACCESSOIRES OU INDIRECTS; LES LIMITATIONS ET LES EXCLUSIONS SUSMENTIONNÉES PEUVENT DONC NE PAS S'APPLIQUER À VOTRE CAS.

LA RESPONSABILITÉ DU GARANT NE DOIT EN AUCUN CAS DÉPASSER LE PRIX D'ACHAT DU PRODUIT OU DE SON REMPLACEMENT.

Cette garantie vous confère des droits précis. Vous pouvez également avoir d'autres droits, qui varient d'un État ou d'une province à l'autre.

ATTENTION

En cours d'utilisation ou plusieurs minutes après avoir été éteint, ce foyer peut être chaud. Ne laissez jamais les enfants s'approcher du foyer afin de leur éviter des brûlures, des décharges électriques, des blessures importantes ou la mort. Surveillez toujours les enfants pour vous assurer qu'ils ne jouent pas avec le foyer ou qu'ils n'y touchent pas. Consultez le manuel de l'utilisateur du foyer pour connaître les autres avertissements importants et obtenir les instructions.

PROCÉDURE DE RÉCLAMATION

Pour obtenir des services au titre de la garantie, l'acheteur au détaillant initial doit répondre aux exigences de la présente procédure de réclamation.

Communiquez avec le détaillant Signature Design by Ashley autorisé auprès duquel vous avez acheté votre foyer pour obtenir des services au titre de la garantie. Toutes les réclamations doivent être accompagnées du reçu de vente original et du numéro de série du produit et elles doivent être présentées durant la période de validité de la garantie. Le garant se réserve le droit d'exiger que les pièces défectueuses lui soient retournées s'il le demande. Vous devez convenir avec le détaillant du moment où le foyer ou ses pièces seront transportés de votre domicile jusqu'au détaillant, ou du détaillant jusqu'à votre domicile. Si vous avez besoin de services, mais que le détaillant auprès duquel vous avez acheté le foyer est maintenant fermé, communiquez avec Ashley par écrit ou appelez notre service à la clientèle.

Renseignements sur la garantie et les détaillants de la marque Signature Design by Ashley

Ashley Furniture Industries, LLC.

A l'attention de : Service de la garantie One Ashley Way

Arcadia, WI 54612

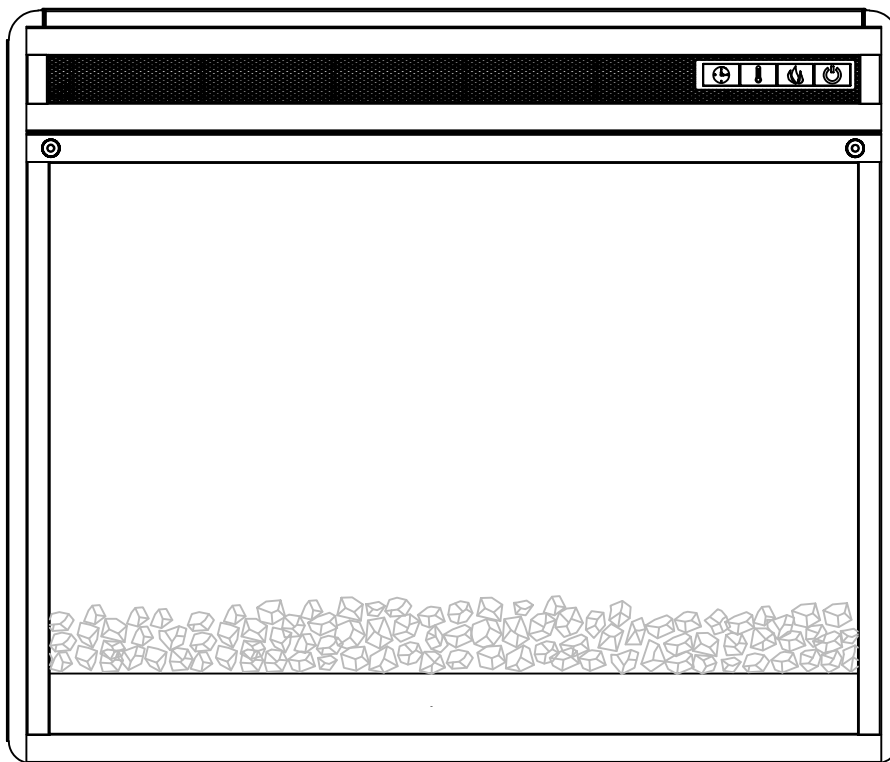
Numero de telephone du service a la clientele: 800-477-1117

© octobre 2013, Ashley Furniture Industries, LLC Tous droits reserve,
Signature Design by Ashley est une marque deposee d' Ashley Furniture Industries, LLC.



Manual de usuario de la unidad de inserto de chimenea eléctrica

Nº DE MODELO: W100-02



GUARDE ESTAS INSTRUCCIONES

Índice

Índice.....	2
INFORMACIÓN IMPORTANTE DE SEGURIDAD	3-4
PIEZAS Y ARMADO	5-7
PREPARACIÓN	8
INSTRUCCIONES DE CONEXIÓN A TIERRA	8
PREPARACIÓN DEL LUGAR DE INSTALACIÓN	9
Colocación de la unidad de inserto de chimenea eléctrica.....	9
Especificaciones.....	9
DECLARACIÓN DE LA FCC ESTADOUNIDENSE	10
OPERACIÓN, CARACTERÍSTICAS Y FUNCIONES	11
Uso del control remoto	11
Uso del panel de control	12
Pantalla digital	13
CUIDADO Y MANTENIMIENTO	14
Diodo emisor de luz.....	14
Limpieza	14
GUÍA DE SOLUCIÓN DE PROBLEMAS	15
Políticas de garantía y de devolución	15-16

INFORMACIÓN IMPORTANTE DE SEGURIDAD

LEA CUIDADOSAMENTE TODA LA INFORMACIÓN Y CUMPLA TODAS LAS INSTRUCCIONES PROVISTAS EN ESTA GUÍA DE USUARIO, INCLUYENDO TODA INFORMACIÓN DE SEGURIDAD, OPERACIÓN Y MANTENIMIENTO.

SI NO SE ATIENDE CUIDADOSAMENTE LA INFORMACIÓN PROVISTA EN ESTA GUÍA DE USUARIO PODRÍAN PRODUCIRSE INCENDIOS, DESCARGAS ELÉCTRICAS, QUEMADURAS, LESIONES QUE PUDIERAN SER GRAVES Y HASTA MORTALES Y DAÑOS A BIENES E INSTALACIONES.



ADVERTENCIA

La unidad de inserto de chimenea eléctrica se suministra de fábrica totalmente armada, excepto en cuanto a lo indicado en las páginas 5-7. Este inserto de chimenea eléctrica no incluye piezas que se puedan reparar o recibir mantenimiento por parte de los usuarios. Si la chimenea eléctrica pareciera presentar un mal funcionamiento, apáguela y desenchúfela de inmediato del tomacorriente. Después comuníquese con el departamento de servicio al cliente. Toda modificación de la unidad de inserto de chimenea eléctrica anulará la garantía y podría causar fallas en la operación de la chimenea, que produzcan descargas eléctricas, incendios, lesiones personales que pudieran ser graves y hasta mortales, y daños a bienes e instalaciones.



PRECAUCIÓN CALIENTE

LA UNIDAD DE INSERTO DE CHIMENEA ELÉCTRICA ESTARÁ MUY CALIENTE DURANTE SU OPERACIÓN Y HASTA DESPUÉS DE ALGUNOS MINUTOS DE HABERLA APAGADO, EN PARTICULAR EN SU ZONA CENTRAL SUPERIOR PERO TAMBIÉN EN OTRAS ZONAS. MANTENGA A LOS NIÑOS ALEJADOS DE LA UNIDAD DE INSERTO DE CHIMENEA ELÉCTRICA EN TODO MOMENTO, A FIN DE EVITAR QUEMADURAS, DESCARGAS ELÉCTRICAS Y LESIONES GRAVES QUE PUDIERAN SER MORTALES. Esté atento en todo momento a los niños, a fin de asegurarse de que no jueguen con la unidad de chimenea eléctrica ni la toquen. No coloque sobre la salida de la unidad de chimenea eléctrica tejidos, adornos ni otros materiales combustibles de ningún tipo, ni obstruyan de manera alguna la salida de la unidad, dado que podría causar incendios y lesiones graves que pudieran ser mortales.

Si tiene alguna pregunta en relación al uso de esta unidad de inserto de chimenea eléctrica, o si piensa que la unidad necesita servicio, comuníquese con Ashley Furniture Industries , LLC. al número indicado a continuación.

1 (866) 436-3393 , servicio al cliente

INFORMACIÓN IMPORTANTE DE SEGURIDAD



PRECAUCIÓN CALIENTE

Lea y cumpla todas las instrucciones antes de poner en operación esta unidad. EL INCUMPLIMIENTO DE ALGUNA DE LAS INSTRUCCIONES DE SEGURIDAD PODRÍA CAUSAR LESIONES PERSONALES GRAVES QUE PUDIERAN SER MORTALES Y DAÑOS A BIENES E INSTALACIONES.

Cuando se utilizan equipos eléctricos siempre se debe cumplir ciertas precauciones básicas, a fin de reducir el riesgo de incendios, de descargas eléctricas, de lesiones personales que pudieran ser mortales y de daños a bienes e instalaciones. Dichas precauciones incluyen, sin limitaciones, las siguientes:

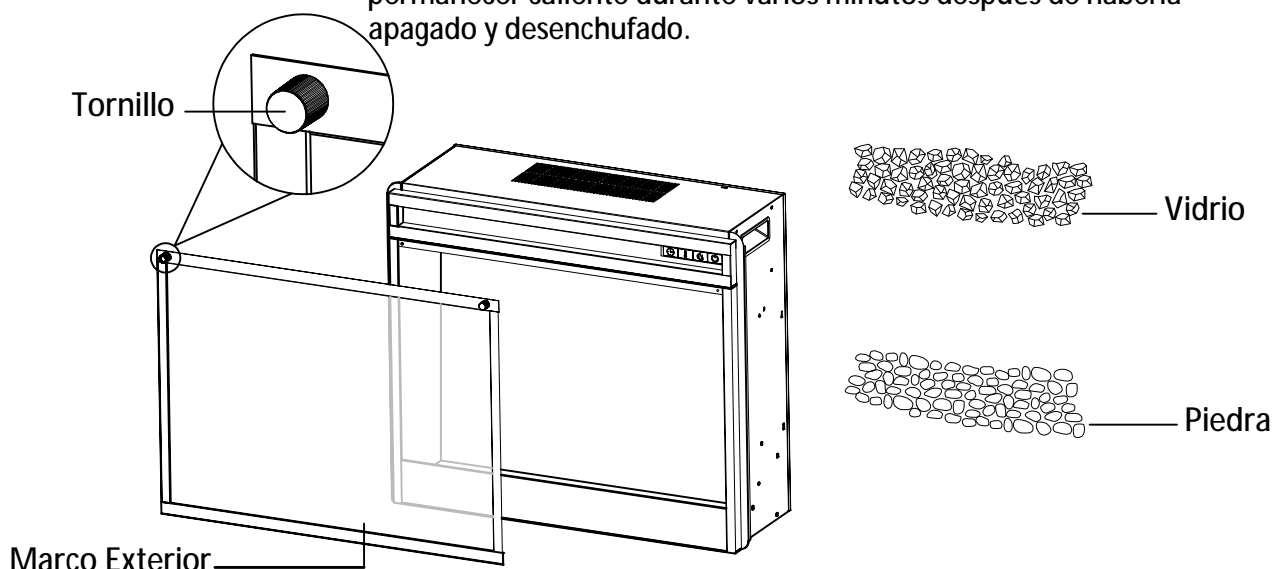
1. La unidad de inserto de chimenea eléctrica estará muy caliente durante su operación y hasta después de algunos minutos de haberla apagado. A fin de evitar quemaduras, evite tocar las superficies calientes de la unidad de inserto de chimenea eléctrica, como (sin limitaciones) las zonas de las salidas de aire caliente. NO INTENTE CAMBIAR DE LUGAR LA UNIDAD DE INSERTO DE CHIMENEA ELÉCTRICA ESTANDO EN OPERACIÓN O ENCHUFADA, NI DURANTE VARIOS MINUTOS DESPUÉS DE HABERLA APAGADO. Si están provistas, utilice las asas al cambiar de lugar la unidad de inserto de chimenea eléctrica. Mantenga todo material combustible, incluyendo (sin limitaciones) mobiliario, cojines, almohadas, ropa de cama, papel, prendas de vestir y cortinas a una distancia mayor de 0,9 metros (3 pies) de toda zona de la unidad.
2. Mantenga a los niños alejados de la unidad de chimenea eléctrica en todo momento. Nunca deje de supervisarlos cuando estén cerca de la unidad.
3. Desenchufe siempre la unidad de chimenea eléctrica cuando no esté en uso.
4. A fin de evitar el riesgo de descargas eléctricas, incendios, lesiones personales que pudieran ser graves y hasta mortales y daños a bienes e instalaciones, nunca ponga en operación la chimenea eléctrica si el cable y/o el enchufe de alimentación de electricidad está dañado, si la chimenea eléctrica presenta una falla, si sufrió una caída o si sufrió daños de cualquier tipo. Comuníquese con el departamento de servicio al cliente.
5. NUNCA UTILICE LA UNIDAD DE INSERTO DE CHIMENEA ELÉCTRICA AL AIRE LIBRE, ya que podrían producirse descargas eléctricas, incendios, lesiones personales que pudieran ser graves y hasta mortales y daños a bienes e instalaciones.
6. Esta unidad de chimenea eléctrica no se debe utilizar en salas de baño, zonas de lavandería ni ningún otro lugar en los que haya presencia de agua o de humedad, ni cerca del agua ni en lugares en los que pudiera haber presencia de agua o de humedad, ya que no está diseñada para esos usos. Nunca coloque la unidad en lugares en los que pudiera caer dentro de una tina de baño o de otra fuente de agua. El incumplimiento de alguna de las instrucciones anteriores podría causar descargas eléctricas, incendios y lesiones personales que pudieran ser graves y hasta mortales, y daños a bienes e instalaciones.
7. No tienda el cable de alimentación eléctrica debajo de alfombras. No cubra el cable de alimentación eléctrica con alfombras de área, zócalos ni objetos similares. Coloque el cable de alimentación alejado de las zonas de tránsito de personas, a fin de evitar tropezos y daños.
8. Para desconectar la unidad de inserto de chimenea eléctrica, lleve el control a la posición de apagado y desconecte del tomacorriente el enchufe.
9. Conecte la unidad de chimenea eléctrica sólo a tomacorrientes provistos de conexión a tierra.
10. Evite introducir ni permita que se introduzcan objetos extraños en ninguna de las aberturas de ventilación o de descarga, dado que podrían ocurrir descargas eléctricas, incendios y lesiones personales que pudieran ser graves y hasta mortales.
11. A fin de prevenir incendios, evite bloquear de manera alguna las aberturas de ventilación y de descarga. No opere la unidad de inserto de chimenea eléctrica si la unidad se encuentra sobre una superficie suave (como una cama), ya que podrían bloquearse las aberturas.
12. La unidad de chimenea eléctrica tiene componentes internos que se calientan y que crean arcos eléctricos y chispas. Nunca utilice la unidad en zonas en las que se utilicen o almacene gasolina, pintura u otros tipos de líquidos inflamables, ni en las que haya vapores de dichos líquidos inflamables.
13. La unidad de chimenea eléctrica está provista de un limitador de termostato. Cuando la temperatura en el interior de la unidad se hace igual o mayor a la temperatura configurada en el termostato y también cuando se producen calentamientos anómalos, el dispositivo protector de mecanismo de termostato interrumpe la alimentación de electricidad a la unidad, a fin de evitar que sufra daños y el riesgo de incendios.
14. Opere esta unidad de chimenea eléctrica sólo de la manera descrita en esta guía de usuario. Si se incumple lo anterior o se utiliza la unidad de chimenea eléctrica de maneras distintas a las descritas en este documento, podrían ocurrir incendios, descargas eléctricas, lesiones personales que pudieran ser graves y hasta mortales y daños a bienes e instalaciones.
15. Siempre enchufe la unidad directamente a un tomacorriente de pared provisto de conexión a tierra. Nunca utilice cables de extensión ni multitomas.

GUARDE ESTAS INSTRUCCIONES

PIEZAS Y ARMADO

ADVERTENCIA

desenchufe la unidad de inserto de chimenea eléctrica antes de armarla o de desarmarla. El incumplimiento de lo anterior podría causar lesiones personales que pudieran ser graves y hasta mortales. Esta unidad podría permanecer caliente durante varios minutos después de haberla apagado y desenchufado.



Hay tornillos fijados al marco exterior, que son de instalación permanente y no se deben retirar.

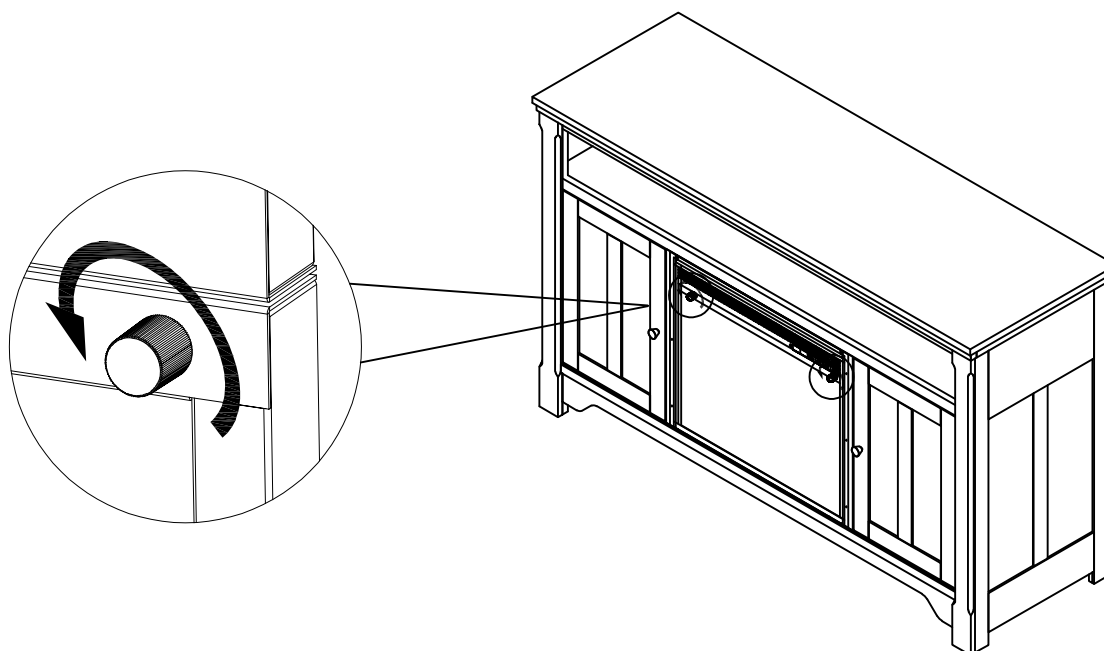
La unidad de inserto de chimenea eléctrica ofrece la opción de utilizar piezas de vidrio y también de piedra.

ADVERTENCIA

las piezas de vidrio y de piedra no son para jugar. Mantenga alejados a los niños y evite que los niños jueguen con las piezas de vidrio o de piedra, dado que presentan el riesgo de asfixia.

Paso 1:

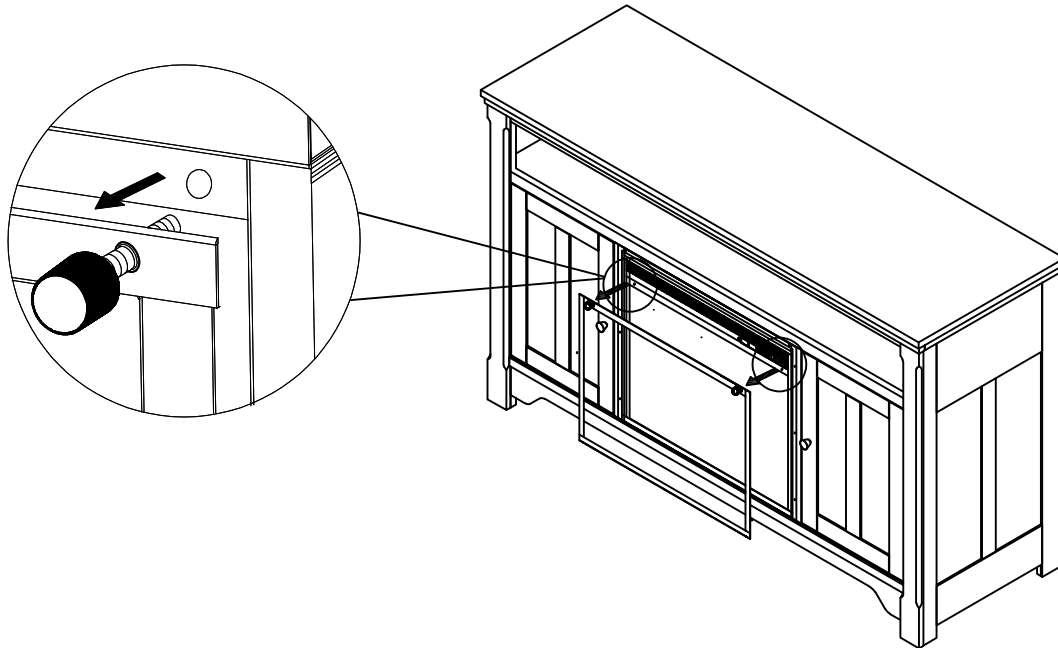
Coloque la unidad sobre una superficie no abrasiva. Haga girar los tornillos en sentido antihorario para aflojarlos. Se debe aflojar los tornillos pero no retirarlos del marco exterior.



PIEZAS Y ARMADO

Paso 2:

Una vez que haya aflojado completamente los tornillos se puede desmontar el marco exterior.



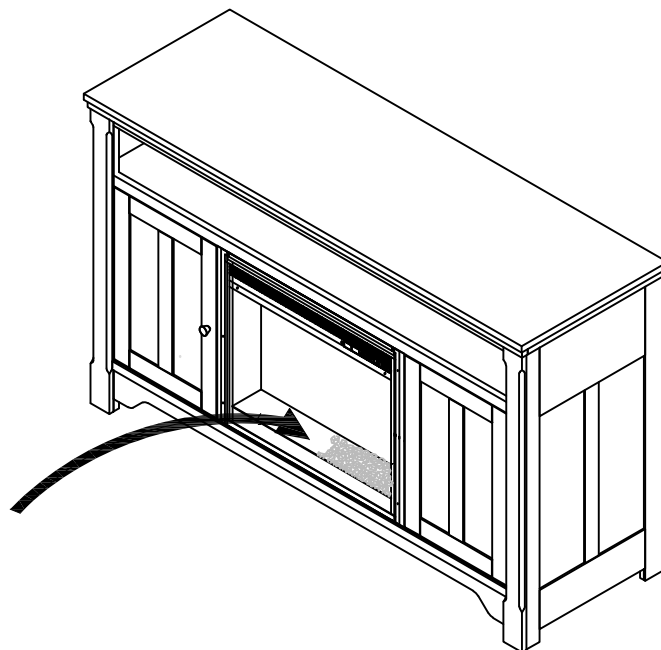
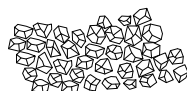
Paso 3:

En la parte inferior de la unidad de chimenea eléctrica se pueden colocar piezas de vidrio y/o de piedra.

Piezas opcionales de piedra



Piezas opcionales de vidrio

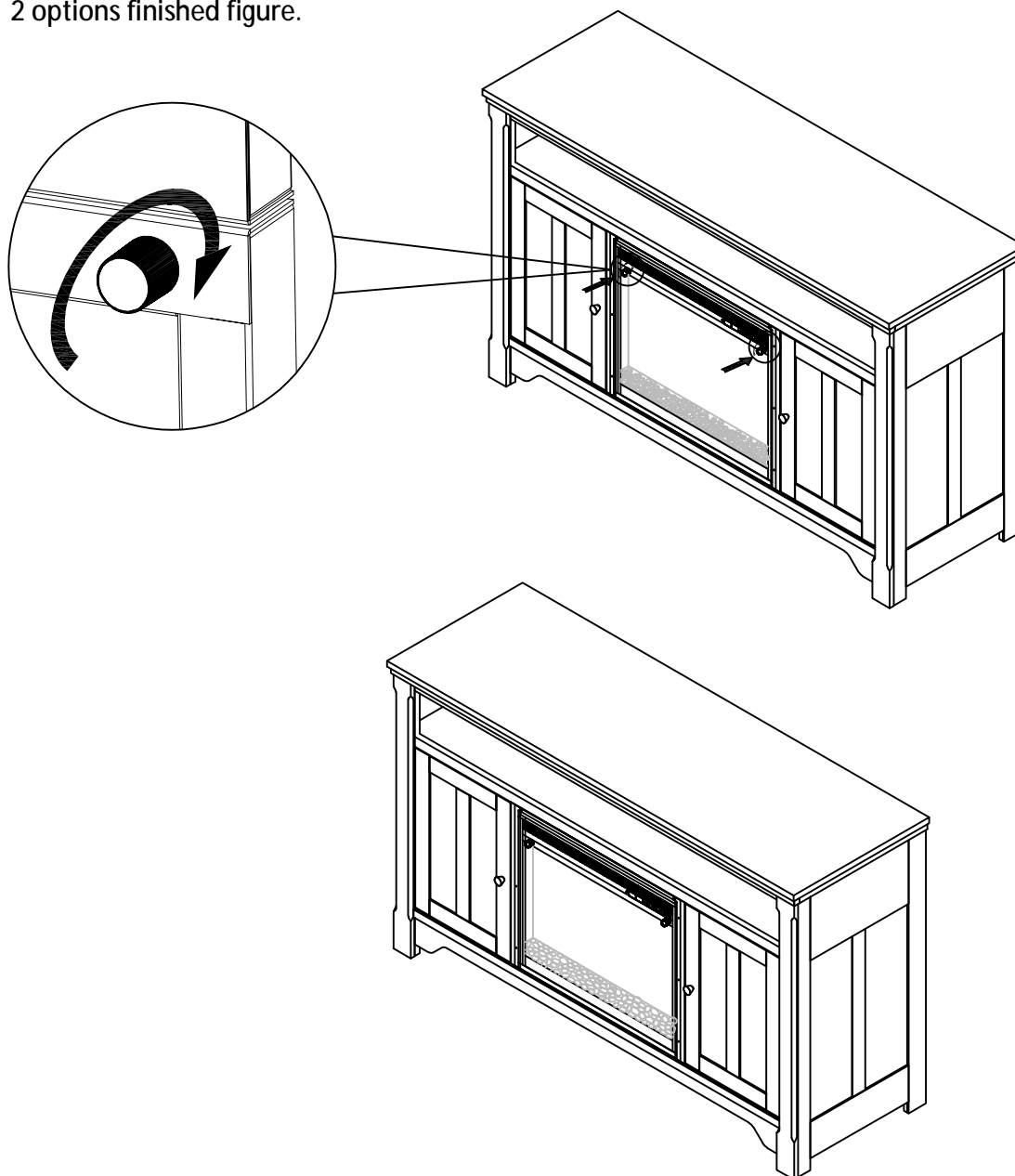


PIEZAS Y ARMADO

Paso 4:

Para volver a fijar el marco exterior, haga girar los tornillos izquierdo y derecho en sentido horario hasta apretarlos completamente.

La ilustración a continuación muestra el paso 2
2 options finished figure.



ADVERTENCIA

A fin de evitar que el marco exterior se desplome hacia delante, compruebe que los tornillos estén correctamente sujetos y completamente apretados.

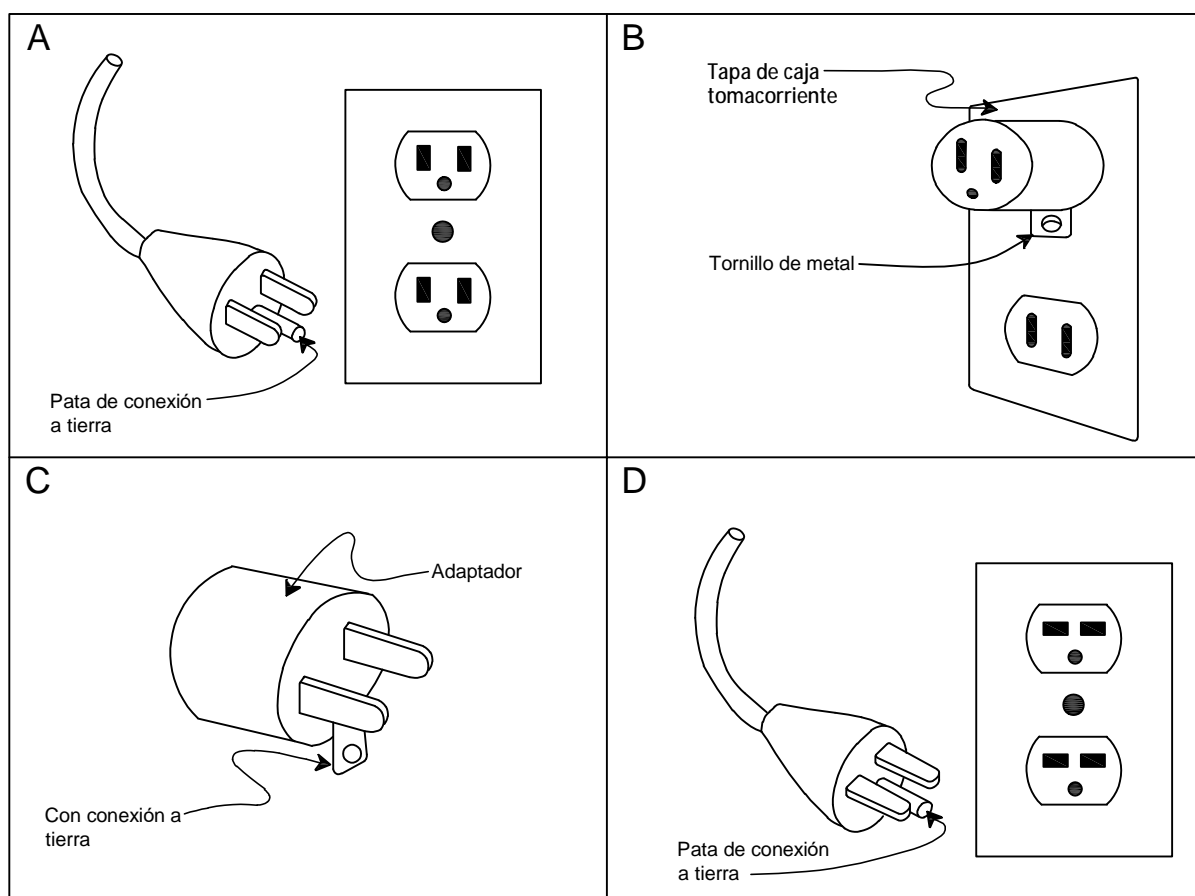
PREPARACIÓN

INSTRUCCIONES DE CONEXIÓN A TIERRA

La unidad de inserto de chimenea eléctrica debe estar conectada a tierra. El cable de alimentación de electricidad de la unidad incluye un conductor de conexión a tierra y un enchufe con pata de conexión a tierra. El enchufe se debe conectar a un tomacorriente adecuado, correctamente instalado y conectado a tierra en conformidad con todas las normas y ordenanzas locales.

Esta unidad de inserto de chimenea eléctrica está diseñada para su uso con electricidad de 120 Voltios. Está provista de un enchufe de apariencia similar al mostrado en la figura 1. Consulte la figura 1 a fin de conocer las instrucciones de conexión a tierra. Están disponibles adaptadores (vea "C") que permiten conectar enchufes de tres patas provistos de conexión a tierra a tomacorrientes de dos ranuras. La pestaña de conexión a tierra, de color verde, del adaptador se debe conectar a un punto de conexión permanente a tierra, como al cuerpo del cajetín del tomacorriente (si está conectado correctamente a tierra). No se debe utilizar adaptadores si el tomacorriente es de tres ranuras con conexión a tierra.

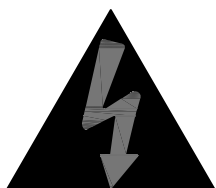
Figura 1



La conexión incorrecta del conductor de conexión a tierra de la unidad puede generar riesgos de descargas eléctricas, que podrían causar lesiones que pudieran ser graves y hasta mortales y daños a bienes e instalaciones. Consulte a un electricista calificado o al personal de servicio si usted tiene dudas respecto a la correcta conexión a tierra de la unidad. Nunca modifique el enchufe suministrado con la unidad. Si no es posible conectar el enchufe al tomacorriente, haga que un electricista calificado instale un tomacorriente adecuado.

Nota:

El circuito de alimentación de la unidad debe ser de 15 Amperios y 120 Voltios. Es preferible utilizar un circuito de uso exclusivo, pero no es esencial en todos los casos. El uso de un circuito de uso exclusivo podría ser necesario si al poner en operación la unidad se dispara el ruptor de circuito o se quema el fusible con cierta frecuencia. Si se ponen en operación artefactos adicionales conectados al mismo circuito de la unidad de inserto de chimenea eléctrica podría excederse el valor nominal de la intensidad máxima de corriente del ruptor o del fusible del circuito.



PREPARACIÓN DEL LUGAR DE INSTALACIÓN

Compruebe que al tender el cable de alimentación de electricidad se evite que esté sometido a aplastamientos y al contacto con bordes afilados. Asegúrese de que el cable esté sujeto firmemente a fin de evitar tropiezos y de reducir el riesgo de incendios, de descargas eléctricas, de daños a bienes e instalaciones y de lesiones que pudieran ser graves y hasta mortales.

Colocación de la unidad de inserto de chimenea eléctrica

Lea y cumpla las instrucciones importantes de seguridad indicadas en esta guía de usuario. El incumplimiento de lo anterior podría causar lesiones personales que pudieran ser graves y hasta mortales, y daños a bienes e instalaciones.

ADVERTENCIA

Si no se mantiene el espacio libre mínimo de 3,8 cm (1,5 in) que se indica, podrían producirse incendios, lesiones corporales, la muerte o daños a bienes.

Se debe dejar un espacio mínimo de 1 pulgada desde la parte posterior del gabinete hasta la pared para permitir la entrada de aire para el calentador (Diagrama 2); de lo contrario, se activará el dispositivo de protección contra sobrecalentamiento, se mostrará el código E1 y el calentador dejará de funcionar.

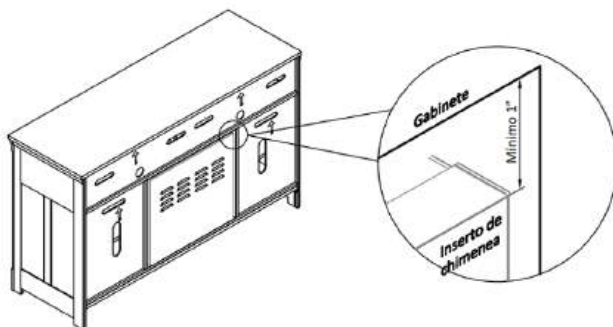


Diagrama 1

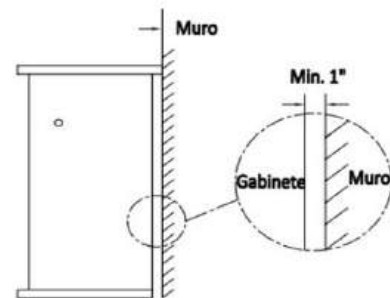



Diagrama 2

Especificaciones:

Dimensiones de inserción de la unidad de chimenea eléctrica (anchura x profundidad x altura)	603x210x509mm
Peso bruto	18.81 KGs/41.4 LBs
Voltaje	120V
Frecuencia	60Hz
Vatios/Amperios.	1400W
Potencia nominal de la unidad de chimenea eléctrica	1250-1350 Vatios
BTU/hora	4266-4608BTU/hora

DECLARACIÓN DE LA FCC ESTADOUNIDENSE

 **NOTA:** este producto fue probado y quedó demostrado que cumple con los límites para dispositivos digitales de la Clase B, conforme al Apartado 15 de la normativa de la Agencia Federal de Comunicaciones (FCC) estadounidense. Dichos límites están diseñados a fin de suministra una protección razonable contra interferencias dañinas en instalaciones residenciales. Esta unidad genera, utiliza y pudiera irradiar energía de radiofrecuencias. Dicha energía podría causar interferencias dañinas a las comunicaciones de radio si no se instala y utiliza la unidad conforme a las instrucciones. Por lo tanto, no hay ninguna garantía de que no se producirán interferencias en instalaciones en particular. Si esta unidad llegara a causar interferencias dañinas a la recepción de radio y/o televisión, lo que se puede determinar al encender y apagar la unidad, se insta al usuario a que intente corregir la interferencia a través de una o varias de las medidas indicadas a continuación:

- 1: Reorientar o cambiar de posición la antena del equipo receptor.
- 2: Aumentar la separación entre la unidad y el equipo receptor.
- 3: Conectar la unidad a una toma de electricidad distinta a la que utiliza el equipo que recibe la interferencia.
- 4: Si requiere ayuda, consulte a la tienda vendedora o a un técnico experimentado de radio y televisión.

Esta unidad cumple con la sección 15 de las reglas de la FCC. Su operación está sujeta a las dos condiciones indicadas a continuación:

- 1): Este dispositivo no debe causar interferencias dañinas
- 2): Este dispositivo debe aceptar toda interferencia que reciba, incluyendo interferencias que pudieran causar un funcionamiento indeseable.

Todo cambio o modificación que no haya sido aprobado en forma expresa por el ente responsable de la conformidad podría anular la autorización de uso de esta unidad.

OPERACIÓN, CARACTERÍSTICAS Y FUNCIONES

Uso del control remoto

Botón De Encendido Y Apagado

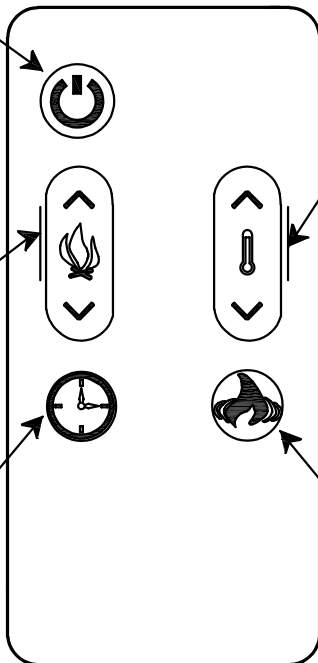
Permite encender y apagar la unidad. Cuando se vuelve a encender la unidad se recuperarán los ajustes anteriormente utilizados. Se almacenan los ajustes de las llamas y de la calefacción.

Botones De Ajuste Del Brillo

Estos botones permiten aumentar y reducir el brillo de las llamas. Nota: cuando se apaga la unidad los leños se apagan completamente después de 3 segundos.

Botones Del Temporizador

Estos botones permiten ajustar la unidad de chimenea eléctrica para que se apague después del lapso indicado en la pantalla. Se puede ajustar el lapso entre 10 minutos y 9 horas (H). Los valores disponibles son 10, 20, 30, 40, 50, 1H, 2H, 3H, 4H, 5H, 6H, 7H, 8H y 9H. Nunca deje en operación la unidad de chimenea eléctrica sin que haya alguien atento a su funcionamiento.



Botones De Ajuste De La Temperatura

Estos botones permiten la programación del termostato. Se puede mantener encendida la unidad de inserto de chimenea eléctrica sin activar el calefactor. Tan sólo tiene que alternar las posiciones de ajuste de la temperatura hasta que no se muestre un valor en la pantalla. Mantenga presionada durante cinco segundos la flecha de reducción de la temperatura para alternar los valores en pantalla entre °F (Fahrenheit) y °C (Celsius). La unidad de chimenea eléctrica debe estar en el modo de calefacción.

Brasas Dinámicas

Esta función permite la variación dinámica del brillo de las brasas a fin de crear un efecto más realista de llamas.

Uso del panel de control

Botón Del Temporizador /Brasas Dinámicas

Permite ajustar el lapso del apagado automático de la unidad de inserto de chimenea eléctrica. Para activar las brasas dinámicas, mantenga presionado el botón durante 5 segundos. Cuando se escuche el pitido libérelo y presiónelo de nuevo. Para desactivar las brasas dinámicas mantenga presionado el botón durante 5 segundos.

Botón De Ajuste De La Temperatura

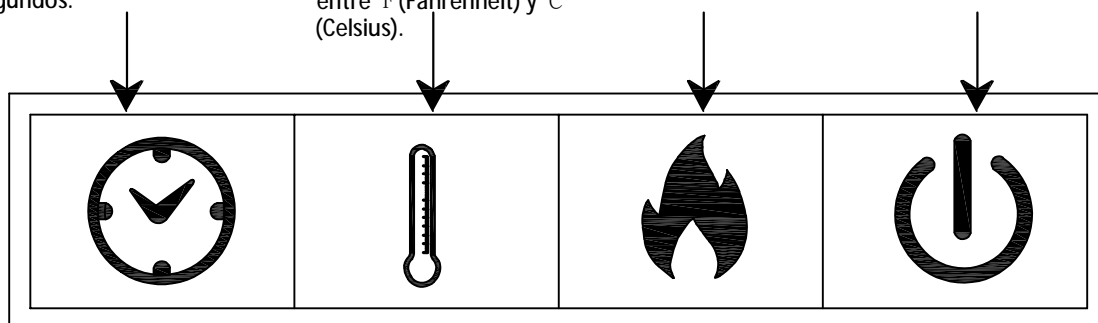
Este botón permite la programación del termostato. Se puede mantener encendida la unidad de inserto de chimenea eléctrica sin activar el calefactor. Tan sólo tiene que alternar las posiciones de ajuste de la temperatura hasta que no se muestre un valor en la pantalla. Mantenga presionado durante cinco segundos el botón para alternar los valores en pantalla entre °F (Fahrenheit) y °C (Celsius).

Botón De Ajuste Del Brillo

Este botón permite alternar entre cinco niveles distintos de brillo de las llamas.

Botón De Encendido Y Apagado

Permite encender y apagar la unidad. Cuando se vuelve a encender la unidad se cargarán los ajustes predeterminados de fábrica.



Control remoto de la unidad de inserto de chimenea eléctrica

El control remoto incluye todas las funciones de los controles del panel delantero, para mayor flexibilidad y practicidad al hacer cambios en los ajustes.

Para utilizar el control remoto primero se debe retirar la lámina plástica de aislamiento de la batería. El control remoto se suministra con una batería. Las tiendas de equipos electrónicos tienen a la venta baterías de repuesto. El código de la batería es "CR2025". Siga la secuencia de instrucciones a continuación para reemplazar la batería.

1. Encuentre el soporte de la batería y extráigalo (figura 1)

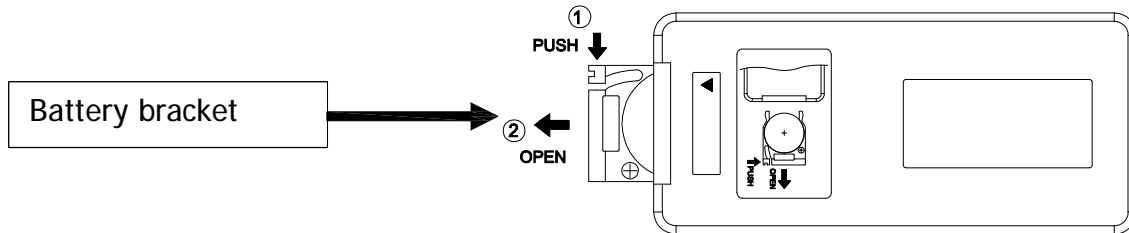


Figura 1

2. El código de la batería es "CR2025". La batería tiene dos lados, uno que parece un botón y otro que es plano. (Figura 2)

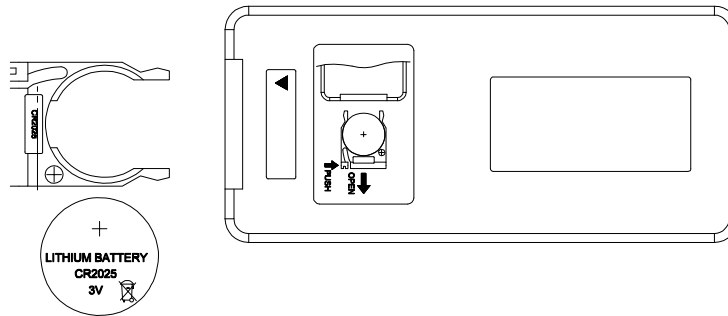


Figura 2

3. Inserte la batería con el lado que parece un botón hacia el soporte. Compruebe que la batería quede firmemente asentada. (Figura 3)

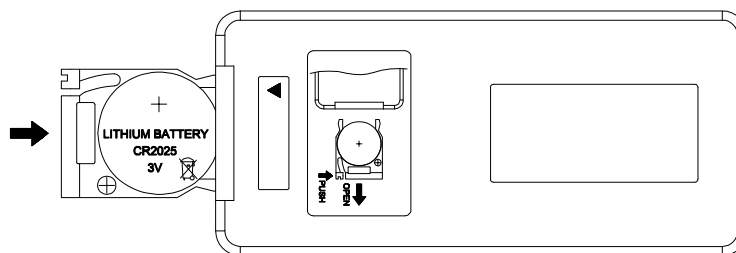


Figura 3

4. Haga presión sobre el soporte de la batería a fin de insertarlo en el control remoto. Compruebe que haya encajado correctamente. (Figura 4)

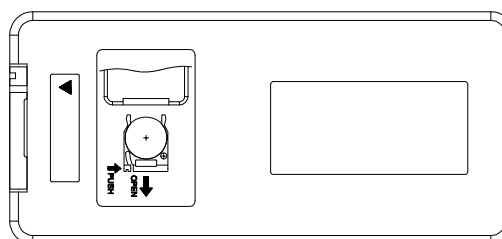


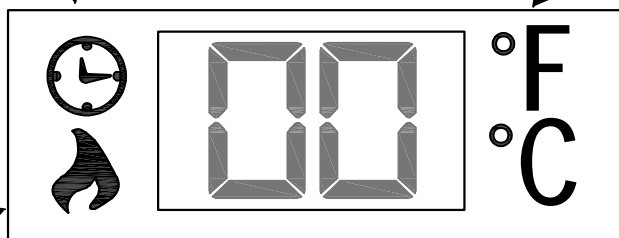
Figura 4

Función De Temporizador

Este icono se enciende de color azul cuando está activada la función del temporizador del apagado automático. En la pantalla digital se muestra un valor entre 10 minutos y 9 horas (H). Los valores disponibles son 10, 20, 30, 40, 50, 1H, 2H, 3H, 4H, 5H, 6H, 7H, 8H, 9H y OFF (temporizador desactivado).

Llamas

Este icono se encenderá de color azul cuando se ajusta el brillo de las llamas. El ajuste del valor del brillo se mostrará en la pantalla digital, siendo "L1" la posición más baja y "L5" la más alta.



Pantalla principal

Termostato

Las leyendas "°F" y "°C" se muestran en la pantalla digital, junto con el valor programado del termostato. Si se desea, se puede mantener encendida la unidad de inserto de chimenea eléctrica sin activar el calefactor. Tan sólo tiene que alternar las posiciones de ajuste de la temperatura hasta que no se muestre un valor en la pantalla.

⚠ NOTA :

cuando se apagan las llamas las brasas de los leños tardan 3 segundos en apagarse completamente. Esta es una característica prevista en el diseño que simula el apagado gradual de las brasas.

⚠ NOTA:

aunque se haya apagado la unidad de chimenea eléctrica, la unidad podría permanecer caliente durante varios minutos después del apagado. El ventilador podría mantenerse en operación a fin de prevenir el recalentamiento.

CUIDADO Y MANTENIMIENTO

Diodo Emisor De Luz

Esta unidad de chimenea eléctrica incorpora diodos LED emisores de luz en vez de bombillas convencionales. Dichos diodos generan el mismo nivel de luz que las bombillas convencionales, pero consumen una fracción de la electricidad. Los diodos LED no requieren de mantenimiento y no se prevé su reemplazo durante toda la vida de la unidad.

Limpieza



LA UNIDAD DE INSERTO DE CHIMENEA ELÉCTRICA ESTARÁ MUY CALIENTE DURANTE SU OPERACIÓN Y HASTA DESPUÉS DE ALGUNOS MINUTOS DE HABERLA APAGADO, EN PARTICULAR EN SU ZONA CENTRAL SUPERIOR PERO TAMBIÉN EN OTRAS ZONAS. Sea precavido antes de proceder a realizar toda tarea de mantenimiento o de limpieza, a fin de reducir el riesgo de incendios, de descargas eléctricas y de lesiones personales que pudieran ser mortales.

ADVERTENCIA al transportar o almacenar la unidad y su cable de alimentación eléctrica, compruebe que la unidad no esté enchufada al tendido eléctrico y de que haya tenido tiempo de enfriarse. La unidad de inserto de chimenea eléctrica y su cable de alimentación se deben mantener en un lugar seco, en el que no haya vibraciones ni polvo en exceso y de forma tal que evite que sufra daños.

Antes de limpiar la unidad, compruebe que esté apagada y desenchufada y que haya tenido tiempo de enfriarse, a fin de evitar el riesgo de quemaduras, incendios, descargas eléctricas y de lesiones personales que pudieran ser graves y hasta mortales. Retire de la unidad el polvo con el uso de un trapo seco y limpio. Limpie las superficies pintadas con agua tibia y un trapo limpio. No utilice limpiadores abrasivos.

Para limpiar el panel de vidrio de la unidad, utilice un limpiador estándar de vidrios no inflamable.

EN NINGÚN CASO ASHLEY FURNITURE INDUSTRIES, LLC. NI SUS EMPRESAS SUBSIDIARIAS O AFILIADAS, NI SUS DIRECTORES, FUNCIONARIOS NI REPRESENTANTES (TODO LO ANTERIOR, "AFI" EN SU CONJUNTO) SERÁN RESPONSABLES ANTE EL COMPRADOR NI ANTE NINGÚN TERCERO, YA SEA EN FORMA CONTRACTUAL, EN FORMA DE AGRAVIO, NI BAJO NINGUNA OTRA FORMA O CONCEPTO, POR NINGUNA PÉRDIDA, COSTO O DAÑO INDIRECTOS, ESPECIALES, PUNITIVOS, EJEMPLARIZANTES, DERIVADOS NI INCIDENTALS QUE SURJAN EN VIRTUD O EN CONEXIÓN CON LA VENTA, EL MANTENIMIENTO, EL USO O LA IMPOSIBILIDAD DEL USO DE LA UNIDAD DE INSERTO DE CHIMENEA ELÉCTRICA, AUNQUE AFI O SUS DIRECTORES, FUNCIONARIOS O REPRESENTANTES HAYAN SIDO ADVERTIDOS DE LA POSIBILIDAD DE DICHAS PÉRDIDAS, COSTOS O DAÑOS, NI AUNQUE DICHAS PÉRDIDAS, COSTOS O DAÑOS HUBIESEN SIDO PREDECIBLES. EN NINGÚN CASO AFI SERÁ RESPONSABLE DE PÉRDIDAS, COSTOS O DAÑOS DIRECTOS QUE EXCEDAN EL PRECIO DE COMPRA DE LA UNIDAD.

ALGUNAS JURISDICCIONES NO PERMITEN LA EXCLUSIÓN NI LA LIMITACIÓN DE RESPONSABILIDADES POR DAÑOS INCIDENTALES NI DERIVADOS, DE MODO QUE LAS LIMITACIONES ANTERIORES PODRÍAN NO REGIR EN EL CASO DEL COMPRADOR.

GUÍA DE SOLUCIÓN DE PROBLEMAS

Esta unidad de inserto de chimenea eléctrica no incluye piezas que se puedan reparar o recibir mantenimiento por parte de los usuarios. Si la unidad pareciera presentar un mal funcionamiento, apáguela y desenchúfela de inmediato del tomacorriente. En el caso de preguntas o inquietudes respecto al servicio de la unidad, comuníquese con la tienda en la que adquirió la unidad (lleve con usted en el recibo original de compra) o llame al 1 (866) 436-3393. Toda modificación de la unidad de inserto de chimenea eléctrica anulará la garantía y podría causar fallas en la operación de la unidad, que produzcan descargas eléctricas, incendios, lesiones personales que pudieran ser graves y hasta mortales, y daños a bienes e instalaciones.

PROBLEMA	SOLUCIÓN
1: La unidad no se enciende ni activa sus funciones	1.1: Compruebe que la unidad esté enchufada a un tomacorriente estándar de 120 V. 1.2: Presione el botón de encendido/apagado en el panel de control
2: Se activa el efecto de llamas pero la unidad no sopla aire caliente	2.1: Compruebe que el valor del ajuste de la temperatura sea mayor que la temperatura del recinto. 2.2: Presione varias veces el botón de encendido/apagado de la unidad de chimenea eléctrica a fin de asegurarse de que se encuentre en la posición de encendida.
3: La unidad de chimenea eléctrica no funciona estando encendida y el termostato ajustado al valor "99"	3.1: Lleve todos los interruptores a su posición de apagado y desenchufe del tomacorriente la unidad durante 5-10 minutos. Espere entre 5 y 10 minutos, vuelva a enchufar la unidad en el tomacorriente y opérela normalmente.
4: La pantalla del panel de control muestra "EE" y el indicador de función destella rápidamente (lo que indica que la unidad se encuentra en el modo de alarma).	4.1: Desenchufe del tomacorriente la unidad durante 5-10 minutos. Espere entre 5 y 10 minutos, vuelva a enchufar la unidad en el tomacorriente, y opérela normalmente.
5: Al presionar los botones de ajuste de la intensidad de las llamas se enciende el icono de las llamas, pero no se muestra en pantalla el nivel de intensidad (p. ej., "L1", "L2"...).	5.1: Mantenga presionado el botón de las llamas durante 5 segundos. Una vez que se escuche el pitido, debería mostrarse en pantalla el nivel de las llamas.

Políticas de garantía y devolución

Consulte la tarjeta de garantía provista con la unidad. Asegúrese de conservar este manual y la tarjeta de la garantía, a efectos de referencia en el futuro.

Fabricado por Source Pro Industries Co., Ltd para Ashley Furniture Industries, LLC.



Información de garantía de la chimenea eléctrica

GARANTÍAS LIMITADAS

Las siguientes Garantías limitadas se otorgan únicamente al comprador original, sujeto a todos los términos y condiciones siguientes. Estas Garantías limitadas son intransferibles:

Ashley Furniture Industries, Inc. (el "Garante"), sujeto a todas las limitaciones y exclusiones descritas en estas Garantías limitadas, garantiza los siguientes productos y partes contra defectos de fabricación del material por el tiempo establecido al lado de ese producto o parte en el cuadro que aparece a continuación.

Producto o parte	Duración de las garantías limitadas	Cobertura de la mano de obra
Chimenea La chimenea se refiere a los componentes eléctricos, circuitos principales, elemento calentador, soplador, control remoto, metal, botones, termostato, sensores, leños moldeados (o el equivalente) y vidrio.	1 año de Garantía limitada a partir de la fecha de compra	1 año de Garantía a partir de la fecha de compra

LIMITACIONES Y EXCEPCIONES

Las siguientes limitaciones y excepciones se aplican a las Garantías limitadas:

Resarcimiento

Conforme a estas Garantías limitadas, para todos sus productos, la única responsabilidad del Garante está limitada a la reparación, o a su criterio, al reemplazo del producto correspondiente o de las partes en no conformidad con estas Garantías limitadas. NO SE HARÁN REEMBOLSOS. Si durante el período de garantía, en el momento de la reparación o reemplazo de un producto, los materiales idénticos no están disponibles, el Garante se reserva el derecho de sustituir los materiales de igual o mejor calidad.

Además, durante el período de cualquier Cobertura por mano de obra aplicable, el Garante pagará, dentro de un año a partir de la fecha de compra, las tasas de mano de obra razonables para reparar o reemplazar las partes defectuosas (a elección única del Garante) y los costos de envío desde el vendedor hacia y desde el Garante, sin costo para el comprador original. Una vez expirada la garantía de Cobertura por mano de obra o para todos los productos o partes no cubiertas por dicha Cobertura, el comprador original será responsable por el costo de la mano de obra, la empaquetadura así como por todos los costos de envío y de transporte. Los costos asociados con el transporte de la chimenea o de las partes desde su hogar hasta el vendedor o desde el vendedor hasta su hogar están excluidos de todas las Garantías limitadas.

Todo producto reparado o reemplazado conforme a estas Garantías limitadas estará cubierto por las Garantías limitadas solamente por el tiempo restante del período de garantía del producto original.

Todos los productos

Estas Garantías limitadas no se aplican (i) por uso para arriendo, negocio, comercial, institucional u otro uso no residencial, (ii) a mercancía que fue, en algún momento, usada como artículo de exhibición o modelo de visualización, (iii) a mercancía alguna comprada "tal cual" o de segunda mano, (iv) a mercancía alguna comprada venta urgente por parte de un liquidador ni (vi) a mercancía obtenida de un minorista. Todas las garantías, ya sea expresas o implícitas, cubren solamente el uso doméstico normal. No se aplica ninguna garantía expresa o implícita a ninguna condición resultante del mal uso, daño de entrega o transporte, ni de ninguna condición resultante de un mantenimiento incorrecto o inadecuado, limpieza o cuidado. Estas Garantías limitadas quedan anuladas o no tienen validez si la chimenea ha sido transportada desde el punto de entrega original al consumidor.

Tratamientos químicos

Estas Garantías limitadas no cubren daños ni defectos causados por el uso de tratamientos químicos o revestimientos protectores en el acabado, los cuales hayan sido realizados por el vendedor o por el comprador original y, todo tratamiento químico o revestimiento protector, anula todas las garantías del Garante.

Modificaciones a los productos

Estas Garantías limitadas no se aplican a los productos que han sido alterados por una persona, comerciante o compañía sin la expresa autorización por escrito del Garante.

Garantías implícitas

LAS GARANTÍAS IMPLÍCITAS, INCLUIDAS LAS GARANTÍAS DE COMERCIALIZACIÓN O IDONEIDAD PARA UN PROPÓSITO EN PARTICULAR EN LA VENTA DE ESTA CHIMENEA Y DE SUS PARTES, BAJO LA LEY ESTATAL, TIENEN UN PERÍODO DE GARANTÍA DE DURACIÓN LIMITADA; NO SE APLICARÁN GARANTÍAS DESPUÉS DE ESE PERÍODO. ALGUNOS ESTADOS NO PERMITEN LIMITACIONES CON RESPECTO A LA DURACIÓN DE UNA GARANTÍA IMPLÍCITA, DE MODO QUE LAS LIMITACIONES ANTERIORES PUEDEN NO APLICARSE EN SU CASO.

EXENCIÓN DE RESPONSABILIDAD

NO SE HA HECHO NI SE HARÁ NINGUNA OTRA GARANTÍA EXPRESA EN REPRESENTACIÓN DEL GARANTE CON RESPECTO A LA CHIMENEA Y SUS PARTES NI LA OPERACIÓN, REPARACIÓN O REEMPLAZO DE LA CHIMENEA Y DE SUS PARTES. ADICIONALMENTE, NINGÚN REPRESENTANTE DEL GARANTE O SUS DISTRIBUIDORES O VENDEDORES ESTÁN AUTORIZADOS A HACER CAMBIOS NI MODIFICACIONES A ESTAS GARANTÍAS LIMITADAS.

ALGUNOS VENDEDORES OFRECEN GARANTÍAS EXTENDIDAS O ADICIONALES, ENTRE OTRAS LAS GARANTÍAS ADICIONALES O EXTENDIDAS DE TELA, YA SEA POR PARTE DEL VENDEDOR O A TRAVÉS DE UN TERCERO. EL GARANTE NO SERÁ RESPONSABLE DE NINGUNA GARANTÍA EXTENDIDA O ADICIONAL OFRECIDA POR UN VENDEDOR O A TRAVÉS DE UN TERCERO BAJO NINGUNA CIRCUNSTANCIA.

EN NINGÚN CASO, EL GARANTE SERÁ RESPONSABLE POR DAÑO CONSECUCIONAL O INCIDENTAL, COMO PÉRDIDA DE USO, INCONVENIENCIA, PÉRDIDA O DAÑO A LA PROPIEDAD PERSONAL, YA SEA INDIRECTO O DIRECTO, Y YA SEA QUE SURJA DE FORMA CONTRACTUAL O EXTRACONTRACTUAL, INCLUSO SI HUBIERA RAZÓN PARA CONOCER DESDE ANTES QUE DICHA DAÑOS ERAN POSIBLES. ALGUNOS ESTADOS NO PERMITEN LA EXCLUSIÓN O LIMITACIÓN DE DAÑOS RESULTANTES O ACCIDENTALES, DE MODO QUE LA LIMITACIÓN O EXCLUSIÓN ANTERIORES PUEDEN NO APLICARSE A SU CASO.

EN NINGÚN CASO, LA RESPONSABILIDAD DEL GARANTE EXCEDERÁ EL PRECIO DE COMPRA DEL PRODUCTO O SU REEMPLAZO.

Esta garantía le otorga derechos legales y también puede contar con otros derechos que varían de estado a estado.

ADVERTENCIA

Cuando esté en uso y por varios minutos luego del uso, la chimenea puede calentarse. Mantenga a los niños alejados de la chimenea en todo momento para evitar quemaduras, choques, daños severos o la muerte. Supervise siempre a lo niños para asegurarse de que no jueguen ni toquen la chimenea. Consulte la Guía del usuario de la chimenea para obtener información adicional importante sobre las advertencias e instrucciones.

PROCEDIMIENTO DE RECLAMOS

Para obtener servicios de garantía, el comprador original debe cumplir los requisitos de este Procedimiento de reclamo.

Contacte al vendedor autorizado del Signature Design by Ashley a quien le compró la chimenea para obtener el servicio de garantía. Todos los reclamos deben incluir la boleta de venta original, el número de serie del producto y se deben presentar dentro del período de garantía aplicable. El Garante se reserva el derecho de solicitar la devolución de las partes defectuosas. Usted debe coordinar con el vendedor los detalles del transporte de la chimenea o de las partes desde su hogar hasta el vendedor o desde el vendedor hasta su hogar. Si el vendedor al que le compró la chimenea ha cerrado, y usted necesita servicio, contacte por escrito a Ashley o por teléfono a nuestro Servicio al Cliente.

Información sobre la Garantía y los vendedores de la marca Signature Design by Ashley

Ashley Furniture Industries, LLC
 Attn: Warranty Department
 One Ashley Way
 Arcadia, WI 54612
 Numero de telefono del servicio al cliente: 800-477-1117

© Octubre 2013, Ashley Furniture Industries, LLC. Todos los derechos reservados. Signature Design by Ashley es una marca registrada de Ashley Furniture Industries, LLC.