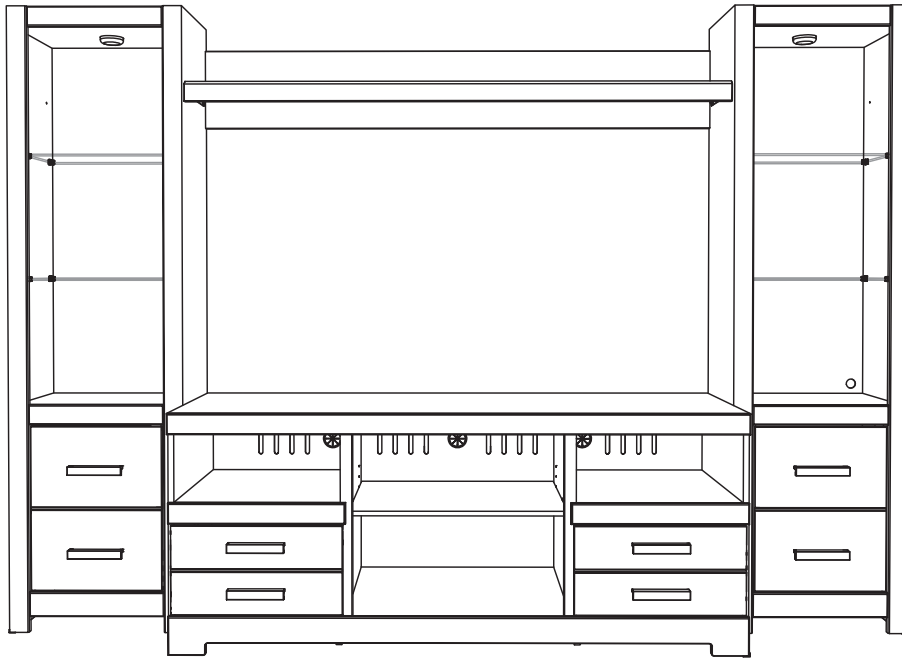


163846 Assembly Instructions

Hardware Components

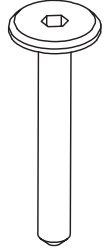
This bag contains small parts that present a choking hazard for children under 3 years of age. These parts are for adult assembly only and should be permanently affixed to the furniture. Any unused parts should be discarded properly.



X2
8 x 5/8"
Pan Head



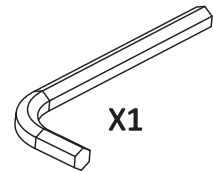
X4



X4
1/4-20 x 45mm

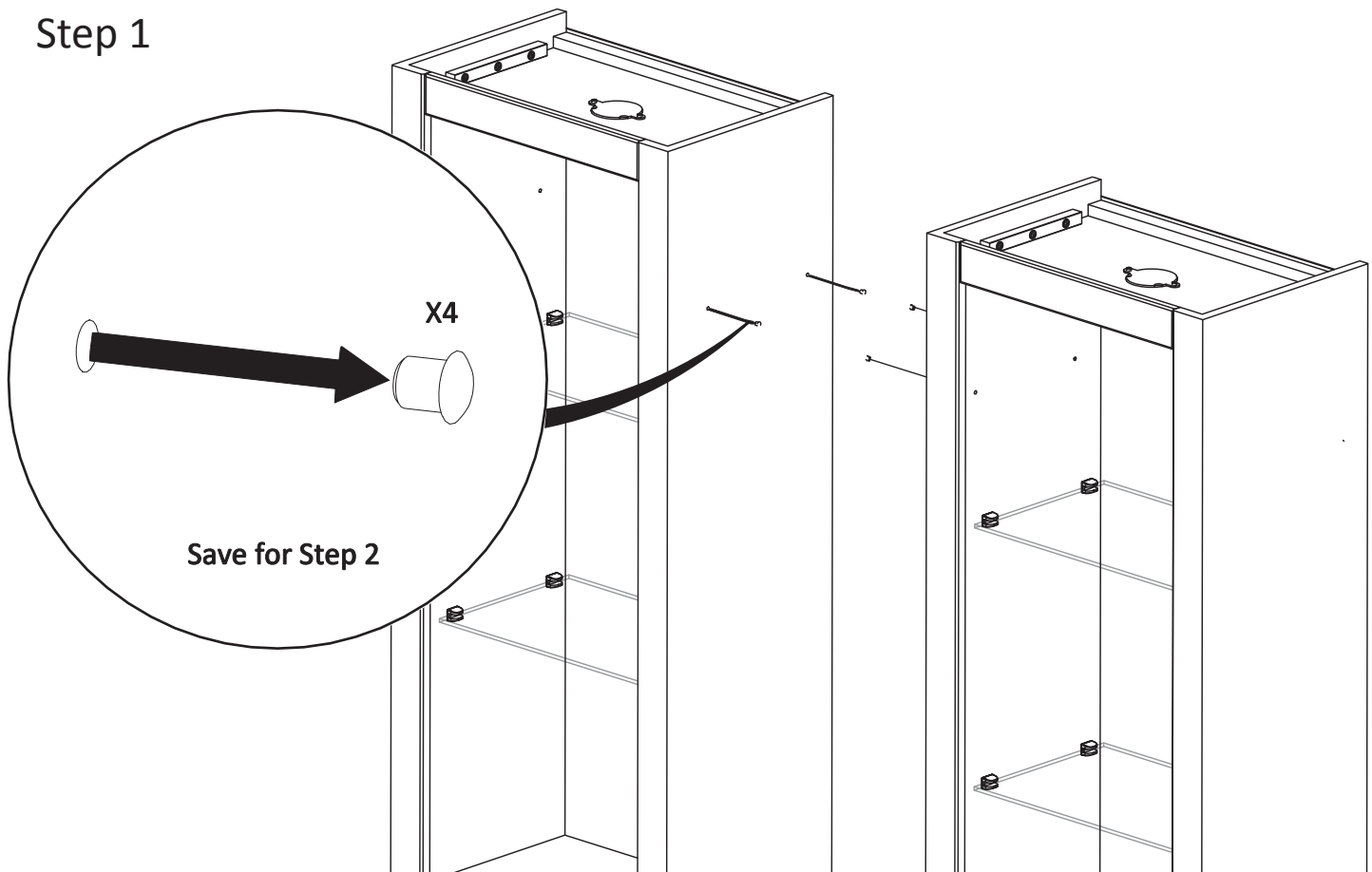


X4

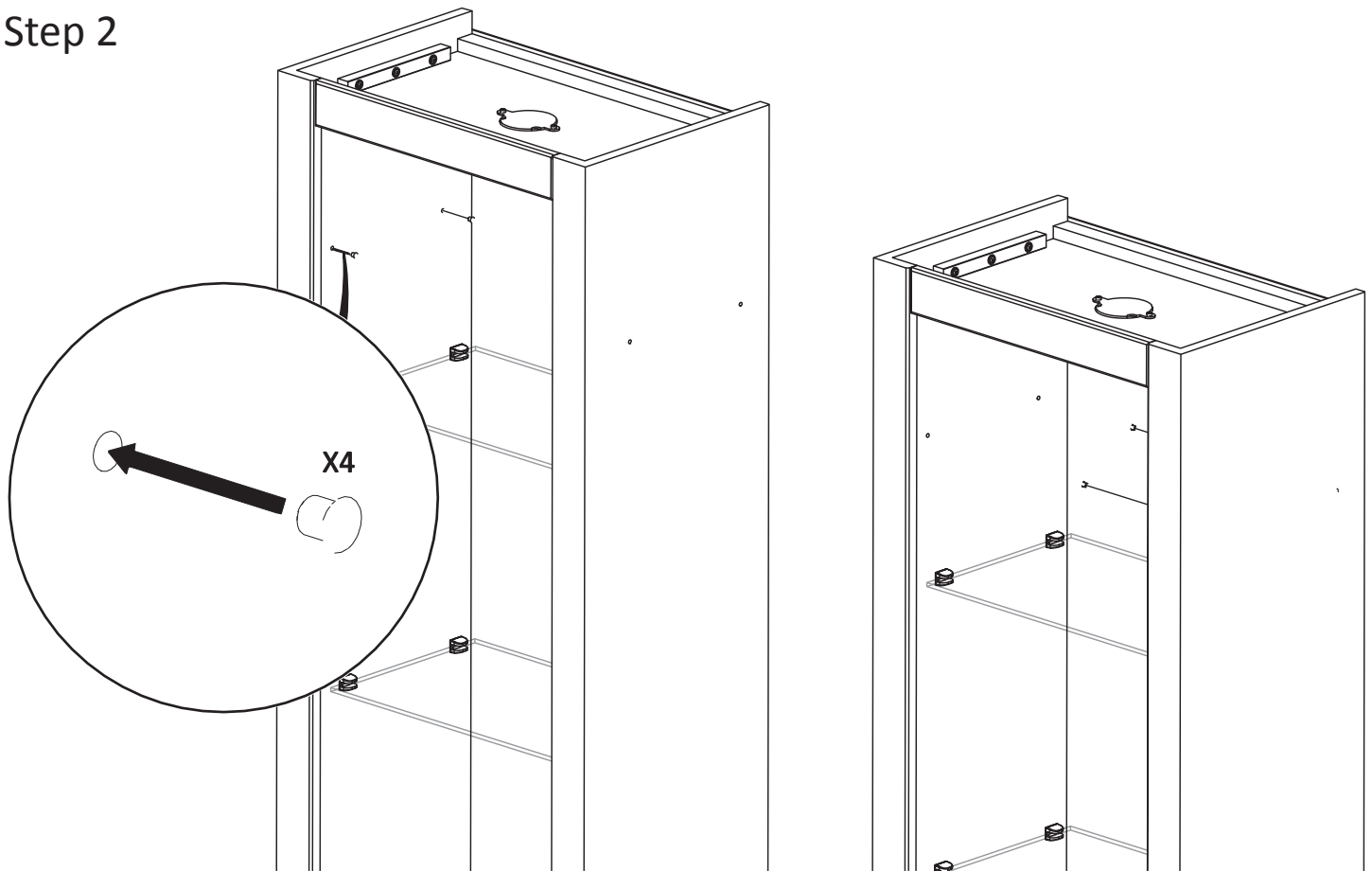


X1

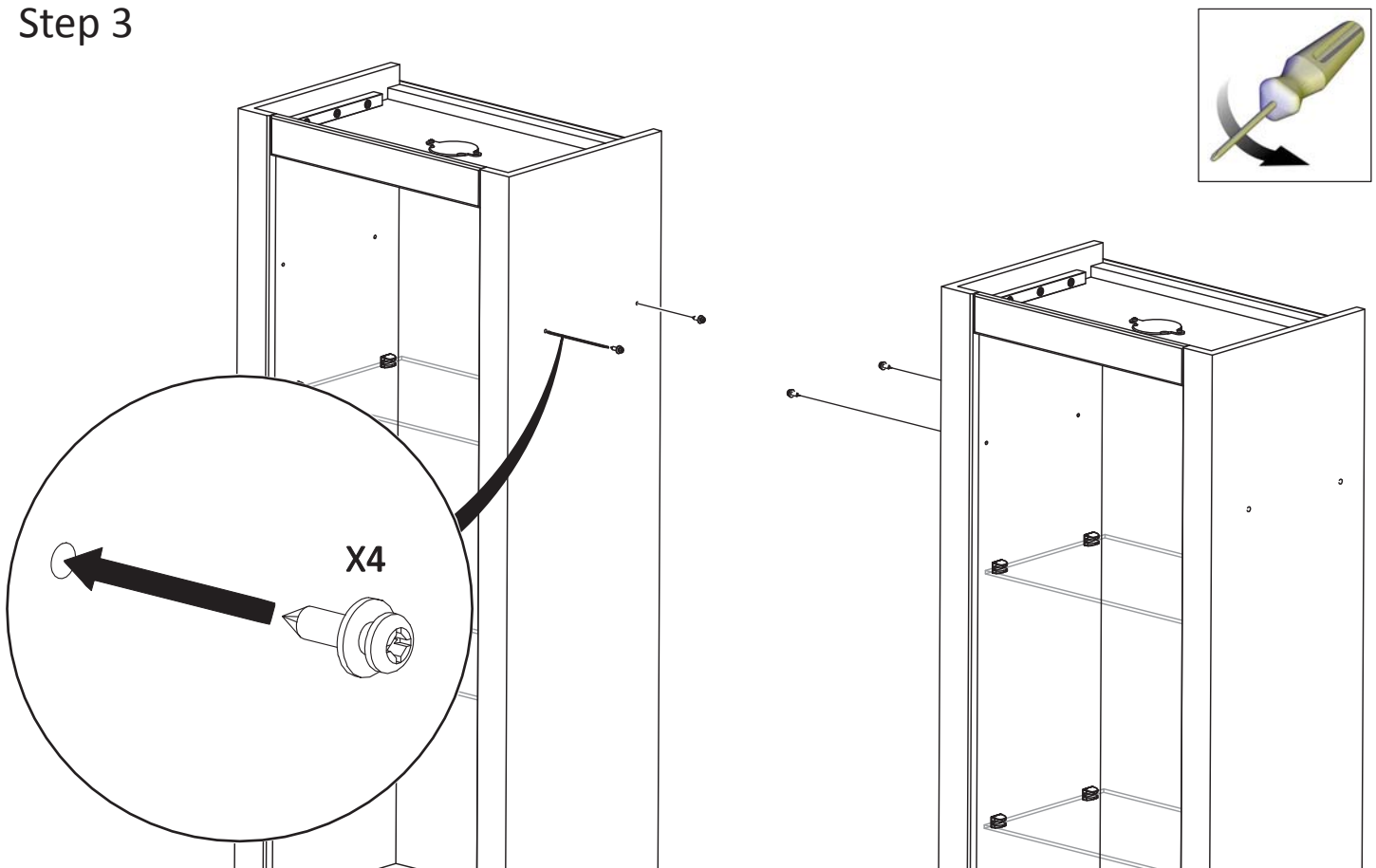
Step 1



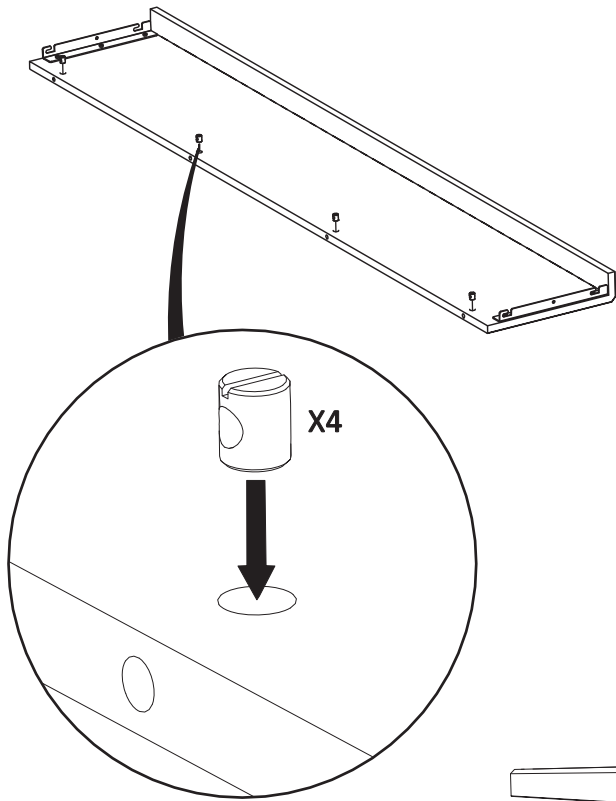
Step 2



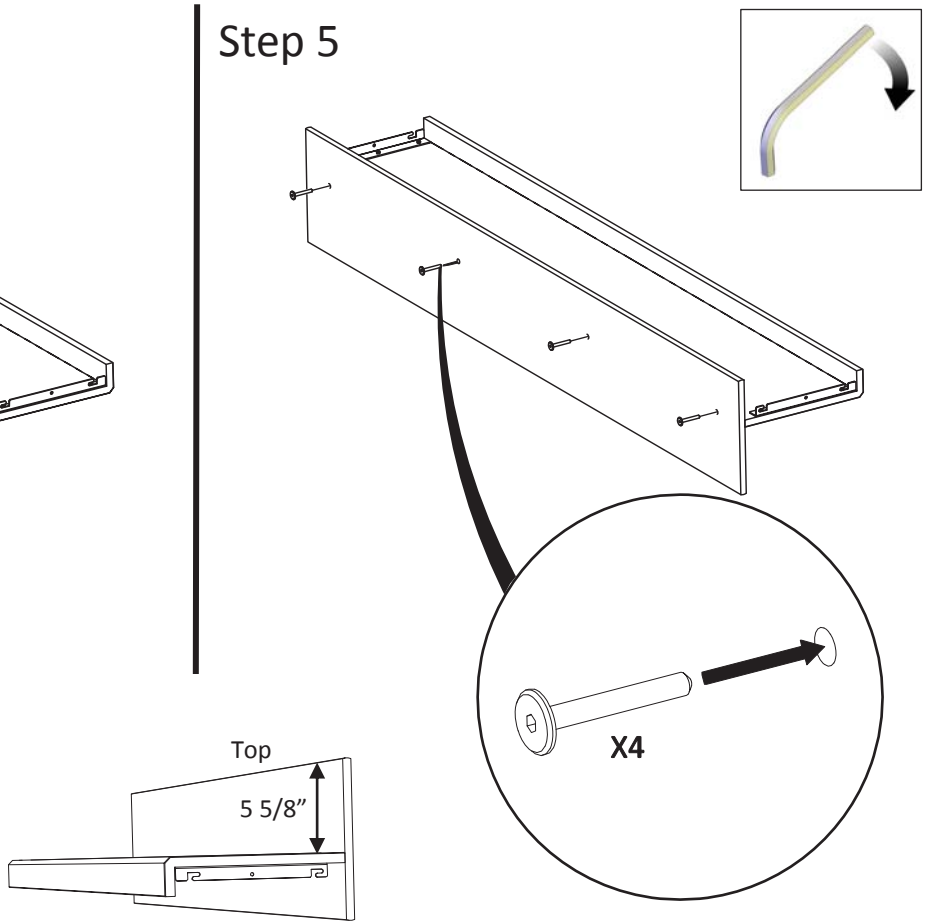
Step 3



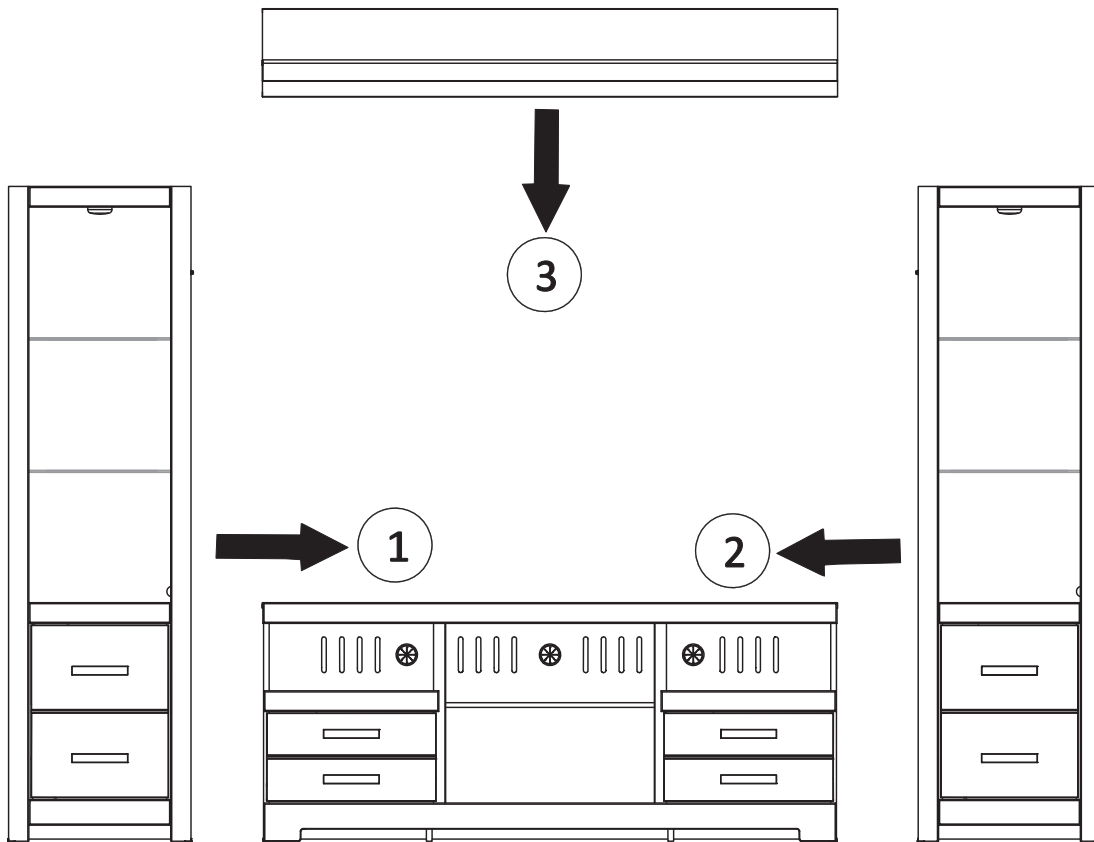
Step 4



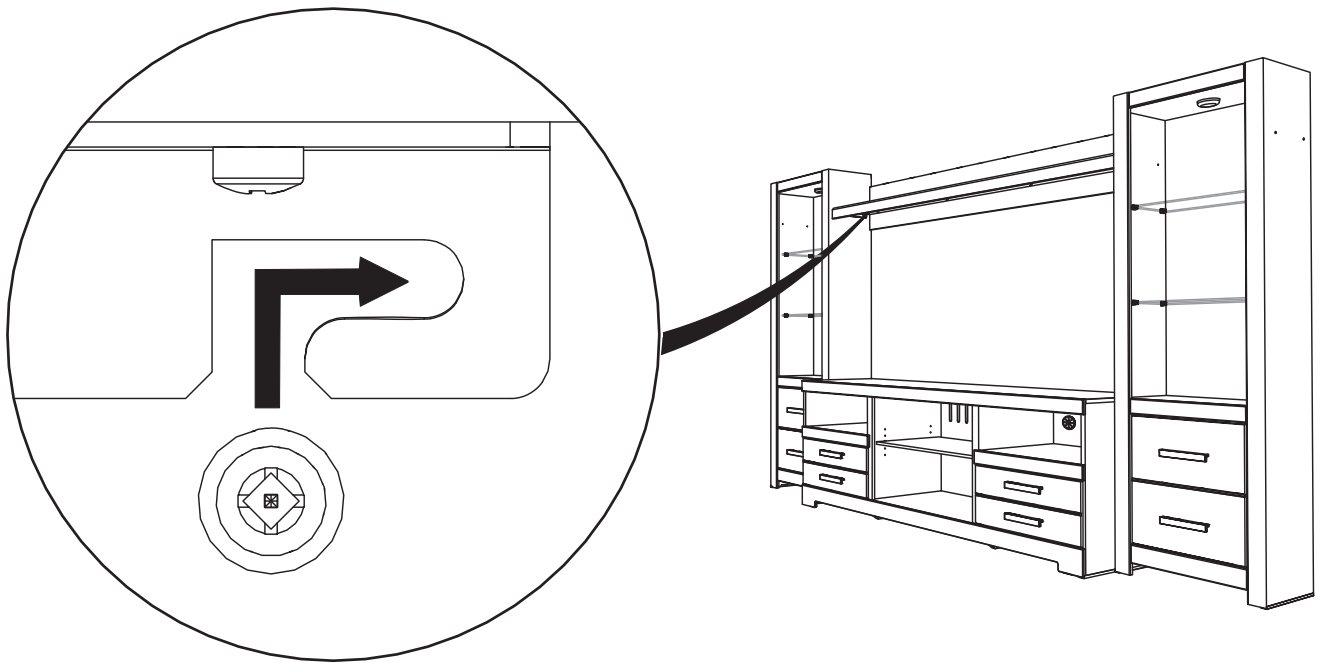
Step 5



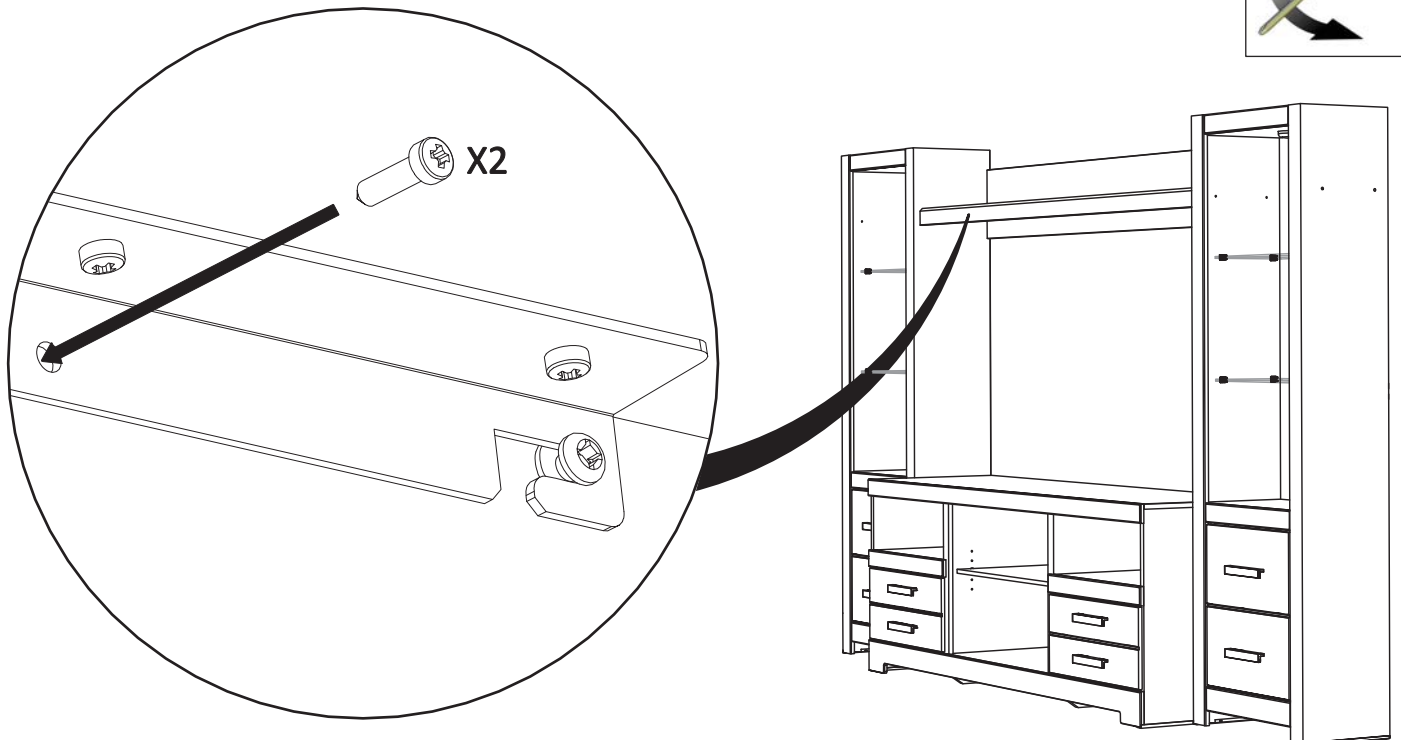
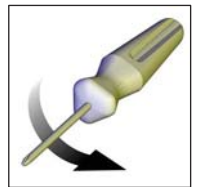
Step 6



Step 7

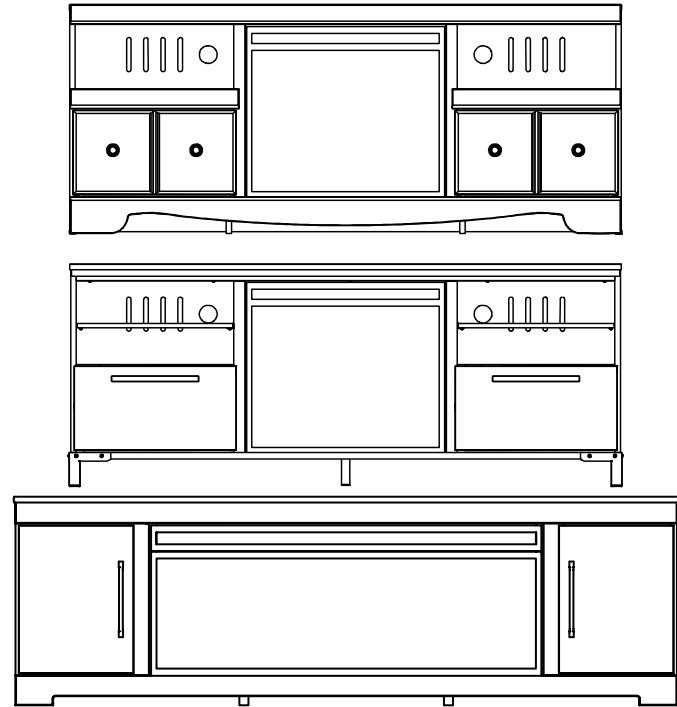


Step 8



Assembly instructions for:
Fireplace

Part # 134721 (06/13/23)

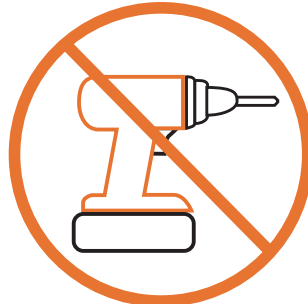
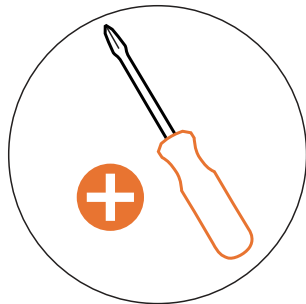
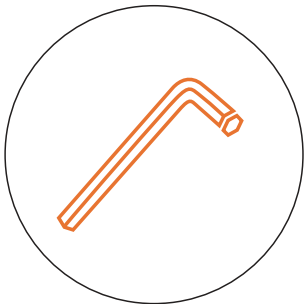


Appearance of your unit may vary from those depicted above

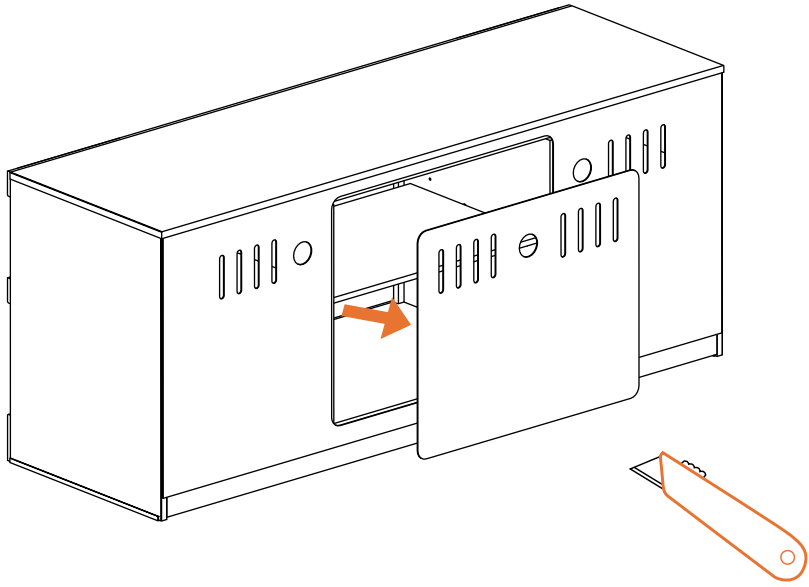


Life doesn't come with instructions, but this does

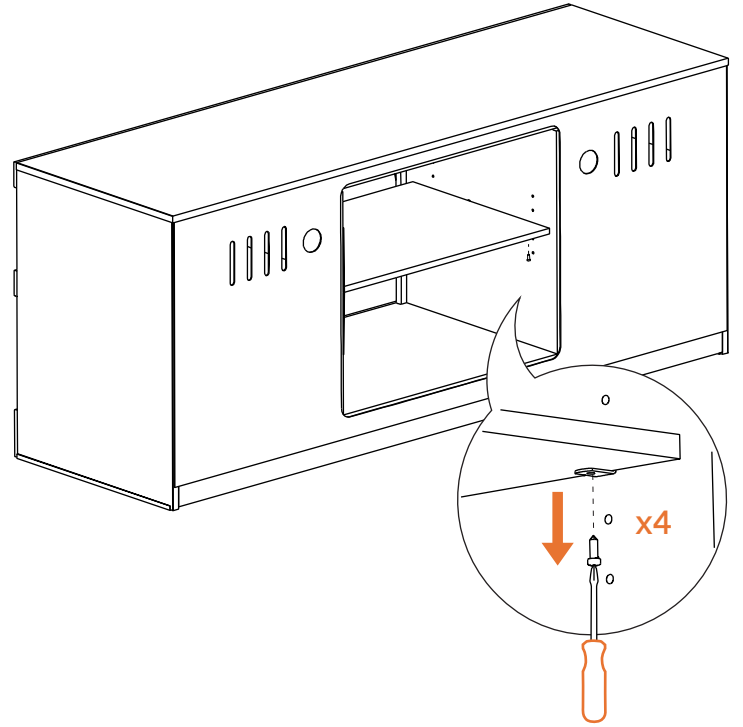
TOOLS



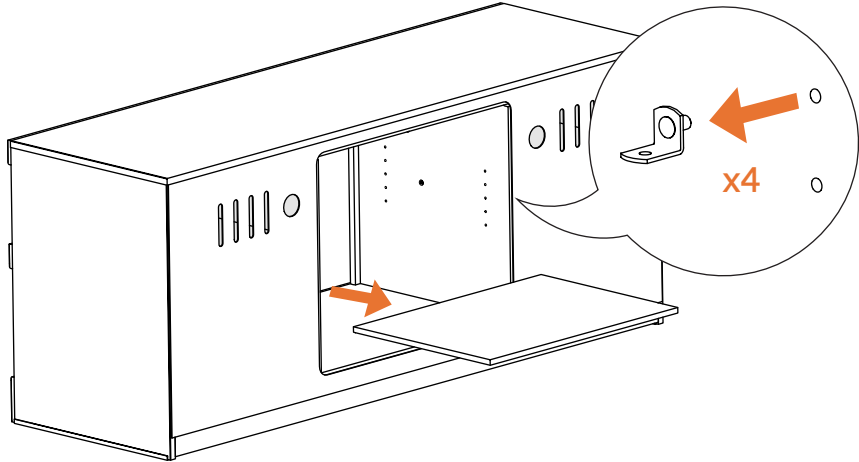
1



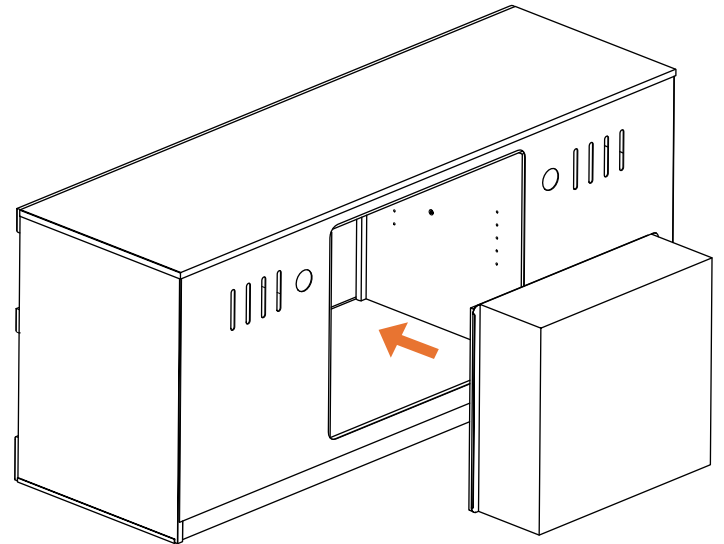
2



3

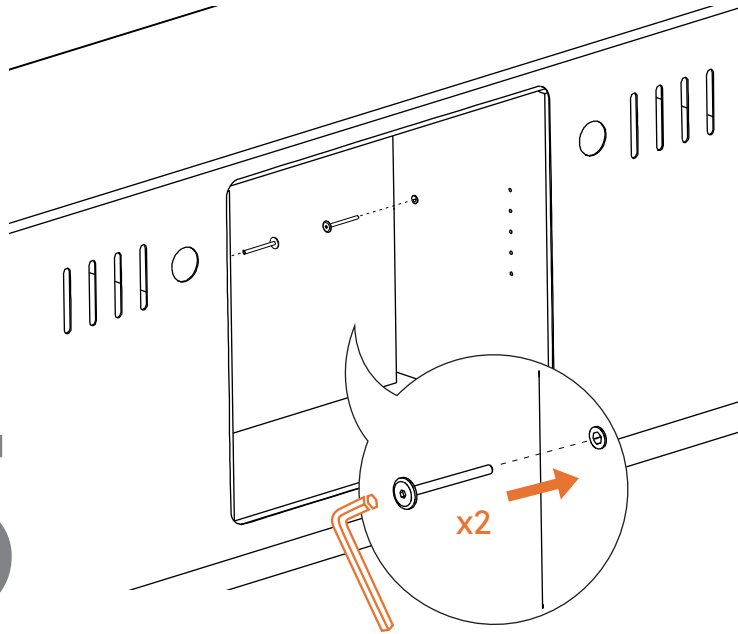


4



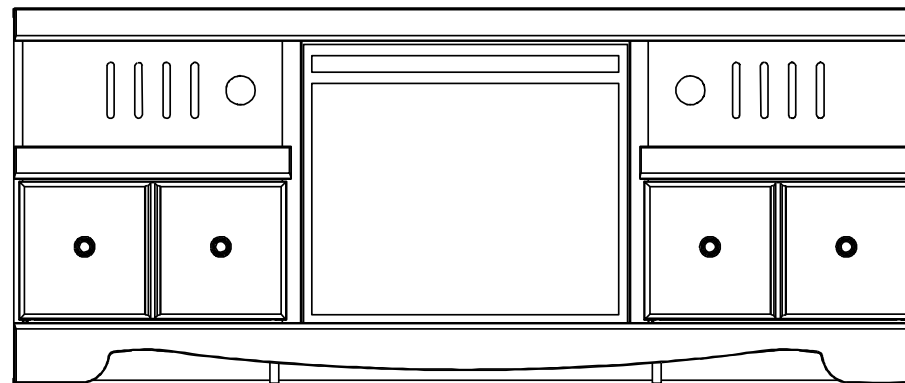
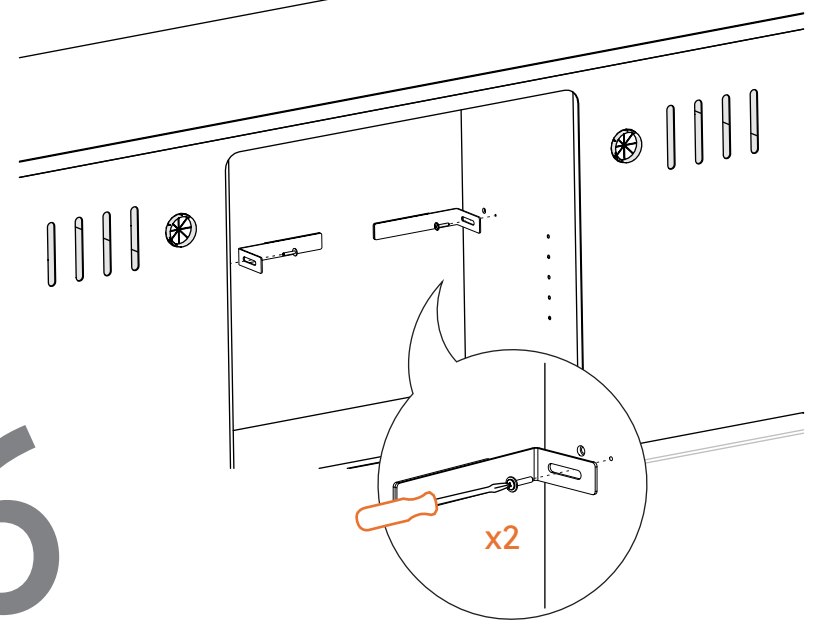
W100 01,02 Installation

5



W100-101,12 Installation

6



WARNING: AIS/MANUAL

- | | | |
|---|--|--|
| <ul style="list-style-type: none">● Remove and immediately recycle or dispose of used batteries according to local regulations and keep away from children. Do NOT dispose of batteries in household trash or incinerate.● Even used batteries may cause severe injury or death.● Call a local poison control center for treatment information.● State battery type: CR2025● State nominal battery voltage: 3V● Non-rechargeable batteries are not to be recharged.● Do not force discharge, recharge, disassemble, heat above 60 °C or incinerate. Doing so may result in injury due to venting, leakage or explosion resulting in chemical burns.● Ensure the batteries are installed correctly according to the polarity (+ and-).● Do not mix old and new batteries, different brands or types of batteries such as alkaline, carbon-zinc, or rechargeable batteries.● Remove and immediately recycle or dispose of batteries from equipment not used for an extended period of time according to local regulations.● Always completely secure the battery compartment. If the battery compartment does not close securely, stop using the product, remove the batteries, and keep them away from children. | <ul style="list-style-type: none">● Retire y recicle o deseche inmediatamente las baterías usadas de acuerdo con las regulaciones locales y manténgalas fuera del alcance de los niños. NO deseche las baterías en la basura doméstica ni las incinere.● Incluso las baterías usadas pueden causar lesiones graves o la muerte.● Llame a un centro local de control de intoxicaciones para obtener información sobre el tratamiento.● Tipo de batería: CR2025● Voltaje nominal de la batería: 3V● Las baterías no recargables no se deben recargar.● No fuerce la descarga, recargue, desmonte, caliente por encima de 60 °C ni incinere. Hacerlo puede provocar lesiones debido a la ventilación, fugas o explosiones que provoquen quemaduras químicas.● Asegúrese de que las baterías estén instaladas correctamente según la polaridad (+ y-).● No mezcle pilas viejas y nuevas, ni de diferentes marcas o tipos de pilas, como las alcalinas, las de carbono-zinc o recargables.● Retire y recicle o deseche inmediatamente las baterías de los equipos que no se utilicen durante un período prolongado de acuerdo con las regulaciones locales.● Asegure siempre completamente el compartimiento de la batería. Si el compartimiento de las pilas no cierra de forma segura, deje de utilizar el producto, retire las pilas y manténgalas fuera del alcance de los niños. | <ul style="list-style-type: none">● Retirez et recyclez ou jetez immédiatement les piles usagées conformément aux réglementations locales et gardez-les hors de portée des enfants. Ne jetez PAS les piles avec les ordures ménagères ou ne les incinerez pas.● Même les piles usagées peuvent provoquer des blessures graves, voire la mort.● Appelez un centre antipoison local pour obtenir des informations sur le traitement.● Indiquez le type de batterie: CR2025● Indiquer la tension nominale de la batterie:3V● Les piles non rechargeables ne doivent pas être rechargées.● Ne forcez pas la décharge, la recharge, le démontage, la chaleur au-dessus de 60 °C et l'incinération. Cela pourrait entraîner des blessures dues à une ventilation, une fuite ou une explosion entraînant des brûlures chimiques.● Assurez-vous que les piles sont installées correctement selon la polarité (+ et-).● Ne mélangez pas des piles anciennes et neuves, des marques ou des types de piles différents tels que des piles alcalines, carbone-zinc ou rechargeables.● Retirez et recyclez ou jetez immédiatement les batteries des équipements non utilisés pendant une période prolongée, conformément aux réglementations locales.● Sécurisez toujours complètement le compartiment à piles. Si le compartiment des piles ne se ferme pas correctement, arrêtez d'utiliser le produit, retirez les piles et gardez-les hors de portée des enfants . |
|---|--|--|

! WARNING

- **INGESTION HAZARD:** This product contains a button cell or coin battery.
- **DEATH** or serious injury can occur if ingested.
- A swallowed button cell or coin battery can cause **Internal Chemical Burns** in as little as **2 hours**.
- **KEEP** new and used batteries **OUT OF REACH** of **CHILDREN**.
- **Seek immediate medical attention** if a battery is suspected to be swallowed or inserted inside any part of the body.
- Battery Type/Voltage: CR2025/3V



! ADVERTENCIA

- **PELIGRO DE INGESTIÓN:** Este producto contiene una pila de botón o de botón.
- **Puede producirse la MUERTE** o lesiones graves si se ingiere.
- Una pila de botón o una pila de botón ingerida puede causar **quemaduras químicas internas** en tan solo **2 horas**.
- **MANTENGA** baterías nuevas y usadas **FUERA DEL ALCANCE DE LOS NIÑOS**.
- **Busque atención médica inmediata** si se sospecha que se ha tragado o insertado una batería en cualquier parte del cuerpo.
- Tipo de batería/Tensión: CR2025/3V



! AVERTISSEMENT

- **RISQUE D'INGESTION:** Ce produit contient une pile bouton ou une pile bouton.
- **La MORT** ou des blessures graves peuvent survenir en cas d'ingestion.
- Une pile bouton ou une pile bouton avalée peut provoquer des **brûlures chimiques internes** en seulement **2 heures**.
- **GARDER** les piles neuves et usagées **HORS DE PORTÉE DES ENFANTS**.
- **Consultez immédiatement un médecin** si vous soupçonnez qu'une pile a été avalée ou insérée dans une partie du corps.
- Type de batterie /tension: CR2025/3V



WARNING

INGESTION HAZARD:
This product contains a button cell or coin battery.



ADVERTENCIA

PELIGRO DE INGESTIÓN:
Este producto contiene una pila de botón o de botón.



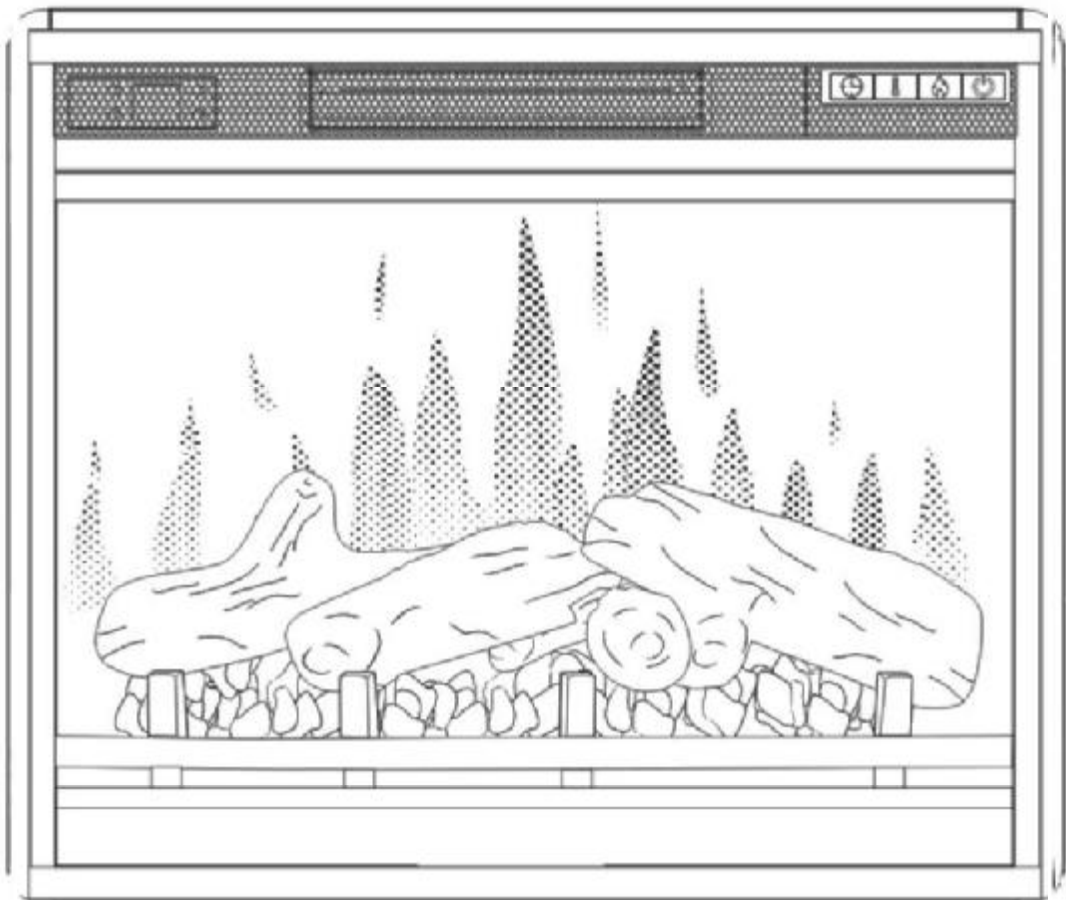
AVERTISSEMENT

RISQUE D'INGESTION:
Ce produit contient une pile bouton ou une pile bouton.



Fireplace User Guide

MODEL#: W100-101



SAVE THESE INSTRUCTIONS

Table Of Contents

Table of Contents.....	2
IMPORTANT SAFETY INFORMATION	3-4
PREPARATION	5
GROUNDING INSTRUCTIONS.....	5
SITE PREPARATION.....	6
Locating Your fireplace.....	6
Specifications.....	6
FCC STATEMENT	7
OPERATIONS AND FEATURES.....	8
Using the Remote Control.....	8
Using the Control Panel.....	9
Digital Display.....	10
CARE AND MAINTENANCE.....	11
Light Emitting Diode.....	11
Cleaning.....	11
CIRCUIT DIAGRAM.....	12
Accessory.....	12
TROUBLE SHOOTING GUIDE	13
Warranty & Return Policies.....	13-14

IMPORTANT SAFETY INFORMATION

PLEASE READ AND CAREFULLY FOLLOW ALL OF THE INFORMATION AND INSTRUCTIONS IN THIS USER GUIDE, INCLUDING ALL SAFETY, OPERATING, AND MAINTENANCE INFORMATION.

IF THE INFORMATION IN THIS USER GUIDE IS NOT FOLLOWED EXACTLY, FIRE, ELECTRIC SHOCK, BURN, DEATH OR OTHER SERIOUS INJURY AND/OR PROPERTY DAMAGE MAY RESULT.



You electric fireplace is fully assembled from the factory. No assembly is required to begin using the fireplace. There are no user serviceable parts inside the fireplace. If the unit appears to malfunction, turn the unit off and unplug the unit from the wall immediately. Please contact the Customer Service. Alteration of the fireplace will void its warranty and may cause the fireplace to malfunction resulting in electrical shock, fire, death or serious bodily injury or property damage.



WHILE IN USE AND FOR SEVERAL MINUTES THEREAFTER, THE FIREPLACE UNIT CAN GET HOT INCLUDING, BUT NOT LIMITED TO, THE TOP CENTER OF THE FIREPLACE. KEEP CHILDREN AWAY FROM THE FIREPLACE AT ALL TIMES TO AVOID BURN, SHOCK OR SERIOUS INJURY OR DEATH. Always supervise children to ensure they do not play with or touch the fireplace. Do not place any cloth, decorations or other combustible material over the fireplace outlet of the fireplace, or otherwise obstruct the fireplace outlet of the fireplace, as this may cause a fire and serious injury or death may result.

If you have any questions regarding the use of this unit, or find that your fireplace unit needs service, please contact Ashley Furniture Industries at the below number.

1 (866) 436-3393 Customer Service

IMPORTANT SAFETY INSTRUCTIONS

Read all instructions before using this fireplace.

When using electrical appliances, basic precautions should always be followed to reduce the risk of fire, electrical shock, injury or death and property damage. Such precautions include, but are not limited to, the following:

1. This fireplace is hot when in use and for several minutes after use. To avoid burns, do not touch hot surfaces of the fireplace such as the heated venting areas of the fireplace. **DO NOT ATTEMPT TO MOVE THE FIREPLACE WHILE IT IS PLUGGED IN OR IN OPERATION OR FOR SEVERAL MINUTES AFTER OPERATION.** If provided, use handles when moving this fireplace. Keep all combustible materials including, but not limited to, furniture, pillows, bedding, papers, clothes and curtains at least 3 feet(0.9 meters) from the entire fireplace unit
2. Always keep children away from the fireplace and be sure to supervise children when they are around the fireplace.
3. Always unplug fireplace when not in use.
4. To avoid the risk of electrical shock, fire, death or serious bodily injury and property damage, do not operate the fireplace if it has a damaged cord or plug or if the fireplace malfunctions, has been dropped or damaged in any manner. Please call the Customer Service.
5. **DO NOT USE THE FIREPLACE OUTDOORS** as this may result in electrical shock, fire, death or serious bodily injury or property damage.
6. This fireplace is not intended for, and must not be used in bathrooms, laundry areas or any other location in, around, or near water or that may become wet. Never locate fireplace where it may fall into a bathtub or other water source. Failure to follow this instruction may result in electrical shock, fire, and serious bodily injury, death or property damage.
7. Do not run power cord under carpeting. Do not cover power cord with throw rugs, runners, or the like. Arrange power cord away from traffic area and where it will not be tripped over or damaged.
8. To disconnect fireplace, turn controls to off, then remove plug from outlet.
9. Connect to properly grounded outlets only.
10. Do not insert or allow foreign objects to enter any ventilation or exhaust openings as this may cause an electric shock or fire, or damage the fireplace.
11. To prevent a possible fire, do not block fireplace air intakes or exhaust in any manner. Do not operate fireplace on soft surfaces, like a bed, where opening may become blocked.
12. A fireplace has hot and arching or sparking parts inside. Do not use in areas where gasoline, paint, or other flammable liquids or fumes are used or stored.
13. There is a thermostat limiter inside the fireplace. When the inner temperature becomes equal or over the set thermostat level or abnormal heating occurs, the thermostat protective device will cut off power supply to avoid the fireplace damaged or risk of fire
14. Use this fireplace only as described in this user guide. Failure to do so or using the fireplace in a manner not listed herein may cause fire, electrical shock, death or serious bodily injury or property damage.
15. Always plug fireplace directly into a grounded wall outlet/receptacle. Never use with an extension cord or power strip.

SAVE THESE INSTRUCTIONS

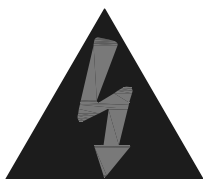
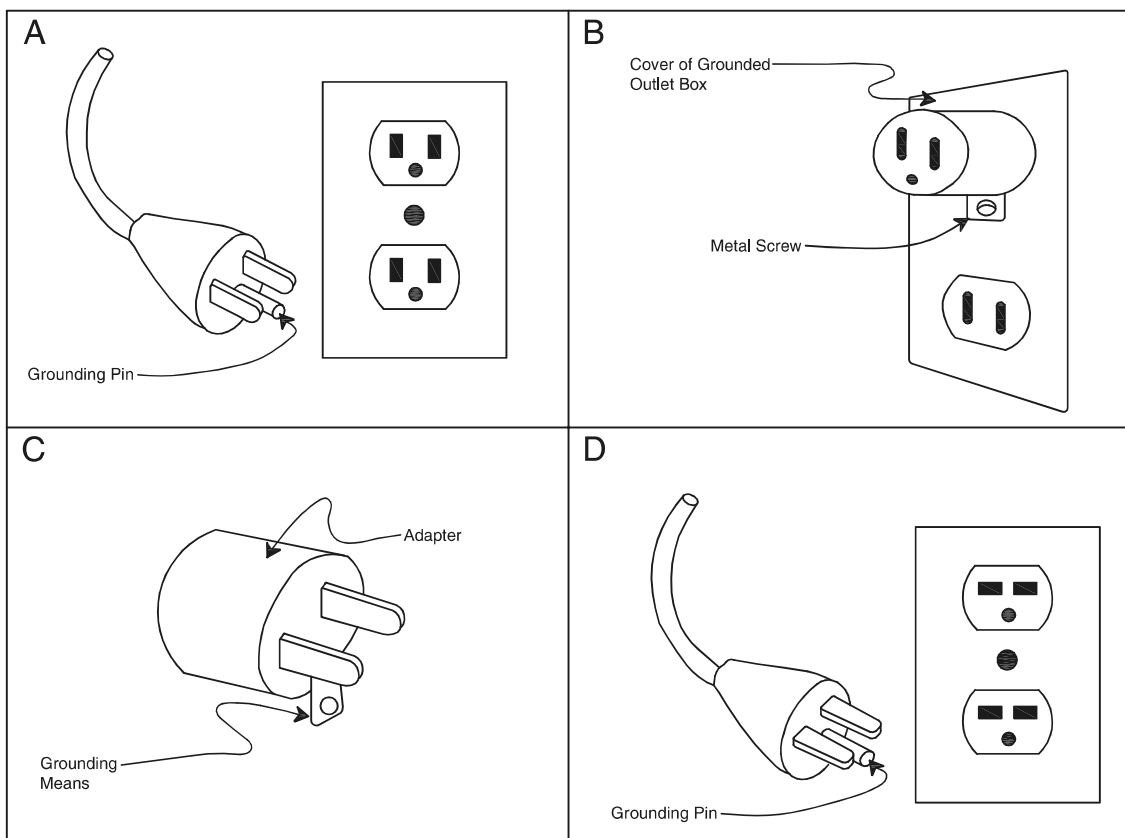
PREPARATION

GROUNDING INSTRUCTIONS

This product must be grounded. This product is equipped with a cord having an equipment-grounding conductor and a grounding plug. The plug must be plugged into an appropriate outlet that is properly installed and grounded in accordance with all local codes and ordinances.

This fireplace is for use on 120 volts circuit and has a grounded plug that looks like the one illustrated on Figure 1. See Figure 1 for grounding instruction. An adapter as shown at C is available for connecting three-blade grounding type plugs to two-slot receptacles. The green grounding plug extending from the adapter must be connected to a permanent ground such as a properly grounded outlet box. The adapter should not be used if a three-slot grounded receptacle is available.

Figure 1



Improper connection of the equipment-grounding conductor can result in a risk of electric shock. Check with qualified electrician or service person if you are in doubt as to whether the product is properly grounded. Do not modify the plug provided with the product. If it will not fit the outlet; have a proper outlet installed by qualified electrician.

Note:

A 15amp, 120 volt circuit is required. A dedicated circuit is preferred but not essential in all cases. A dedicated circuit will be required if, after installation, the circuit breaker trips or a fuse blows on a regular basis when the fireplace is operating. Additional appliances on the same circuit may exceed the current rating of the circuit breaker .

SITE PREPARATION

Ensure the power cord is not installed so that it is pinched or against a sharp edge and ensure that the power cord is stored and secured to avoid tripping or snagging to reduce the risk of fire, electric shock, property damage, serious injury or death.

Locating Your Fireplace

Read and follow the important safety instruction in this user guide. Failure to do so may result in serious bodily injury, death, or property damage.

WARNING

Failure to provide a minimum of a 1-1/2 inch gap from top of Fireplace insert to top of cabinet(see Diagram 1)could result in a fire, bodily injury, death or property damage.

A minimum of 1" clearance should be provided from back edge of the cabinet sides to the wall to allow air intake for the heater(Diagram 2), otherwise the overheat protection device will be triggered and E1 will be displayed and the heater will stop working.

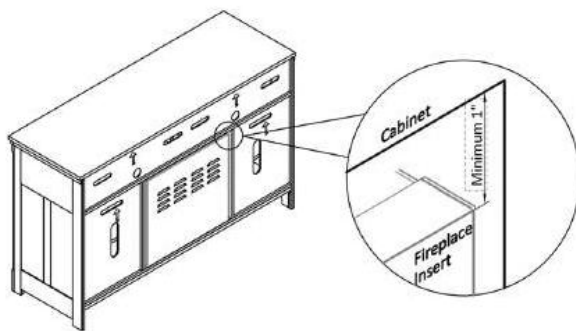


Diagram 1

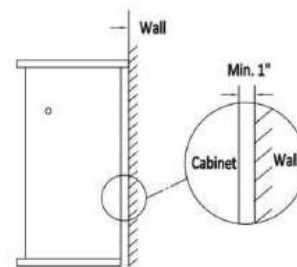



Diagram 2

Specification

Fireplace insert dimension(W*D*H)	603*220*510mm
Gross Weight	15.8KGs/34.8LBS
Voltage	120V
Frequency	60 Hz
Watts/Amps	1500W
Heater Rating	1350-1575W
BTU/h	4608-5386 BTU/h

FCC STATEMENT

 NOTE: This equipment has been tested and found to comply with the limits for a Class B digital device, pursuant to Part 15 of the FCC Rules. These limits are designed to provide reasonable protection against harmful interference in a residential installation. This equipment generates, uses, and can radiate radio frequency energy and, if not installed and used in accordance with the instructions, may cause harmful interference to radio communications. However, there is no guarantee that interference will not occur in a particular installation. If this equipment does cause harmful interference to radio or television reception, which can be determined by turning the equipment off and on, the user is encouraged to try to correct the interference by one or more of the following measures:

- 1: Reorient or relocate the receiving antenna.
- 2: Increase the separation between the equipment and the receiver.
- 3: Connect the equipment into an outlet on a circuit different from that to which the receiver is connected.
- 4: Consult the dealer or an experienced radio/TV technician for help.

This device complies with Part 15 of the FCC Rules. Operation is subject to the following two conditions.

- 1): This device may not cause harmful interference and
- 2): This device must accept any interference received, including interference that may cause undesired operation.

Modifications not approved by the party responsible for compliance could void user's authority to operate the equipment.

OPERATIONS AND FEATURES

Using the Remote Control

Power

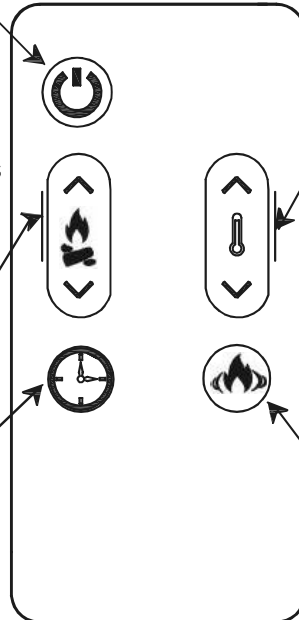
This will turn the unit ON and OFF. When it is turn OFF, the fan will continue to run after turning off the heating function to cool and protect the unit from overheating up to a period of 3 minutes. When the unit is turned back ON, the system will recall the last heat setting used. Store flame and Heating setting.

Adjust Brightness

This allows you to raise or lower the level of flame brightness. Note: when the unit is turned off that the LOGS completely die out for 3 seconds.

Timer

This allows you to set the fireplace to automatically shut OFF after the amount of time displayed on the screen, the timer can be set from 10 minutes to 9 hours, the display shows 10, 20, 30, 40, 50, 1H, 2H, 3H, 4H, 5H, 6H, 7H, 8H, 9H. Do not operate fireplace while unattended.



Adjust Temperature

This allows programming of the thermostat. The fireplace can be used without the heater if desired. Simply cycle through the function until no temperature is displayed. Press and hold the down arrow for five seconds to switch temperature readout from °F (Fahrenheit) and °C (Celsius) and back. Must be in Heat mode.

Dynamic Embers

This function will make the embers of the fire automatically glow dimmer and brighter creating a more realistic fire effect.

Using the Control Panel

Timer/Dynamic Embers

This will allow you to set the automatic shutoff on the fireplace. Dynamic Embers will work on the unit hold 5 seconds when beeps press again. To stop embers press timer button then hold for 5 seconds.

Adjust Temperature

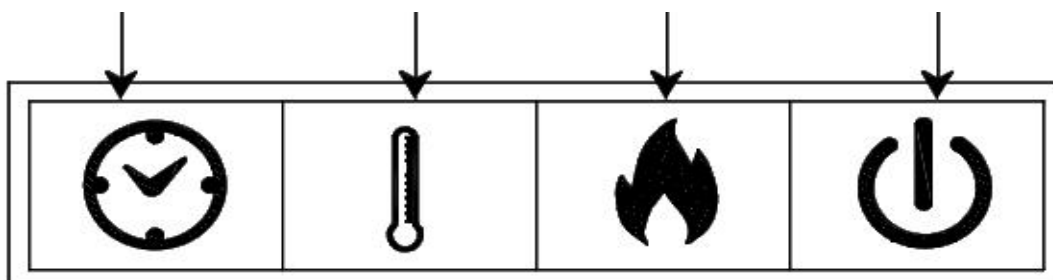
This allows programming of the thermostat. The fireplace can be used without the heater if desired. Simply cycle through the function until no temperature is displayed. Press and hold the button for five seconds to switch temperature readout from °F (Fahrenheit) and °C (Celsius) and back.

Adjust Brightness

This function will cycle through the five different levels of flame brightness.

Power

This will turn the unit ON and OFF. When the unit is turned back ON, the system will load default factory settings.



The Fireplace Remote Control

The remote combines all the functions of the front panel controls for flexibility and convenience when changing desired settings.

The first thing to do with the remote control is to remove the plastic sheet insulated the battery. (The battery is supplied with the remote control.) Replacement batteries can be purchase at any electronics store. The part number for the battery is CR2025. Please follow the sequence below to replace the battery.

1. Take out battery bracket, and locate the battery bracket (Figure 1)

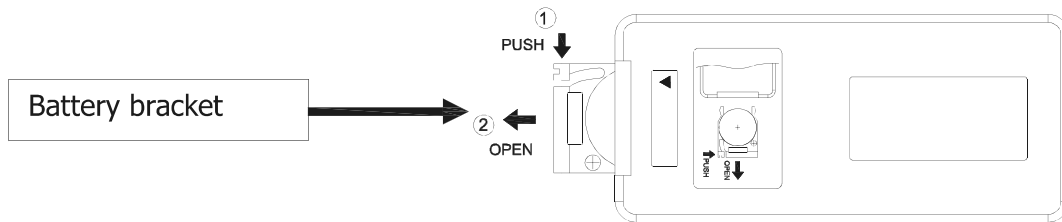


Figure 1

2. The battery number is CR2025. The battery has two sides, one with a button feature, and the other is flat. (Figure 2)

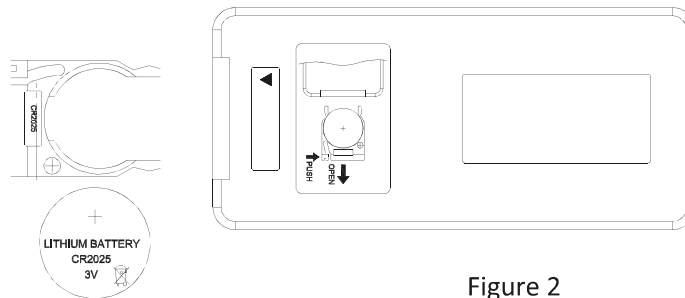


Figure 2

3. Insert the battery with the button side into the battery bracket, making sure the battery is firmly seated. (figure 3)

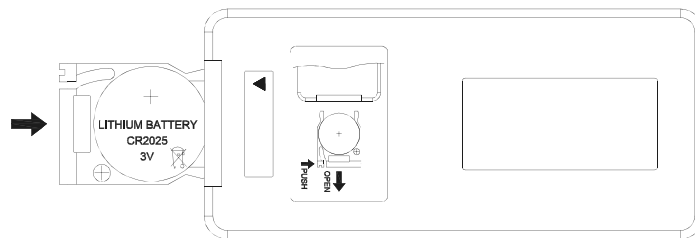


Figure3

4. Press the battery bracket into the remote control, making sure it snaps into position. (Figure 4)

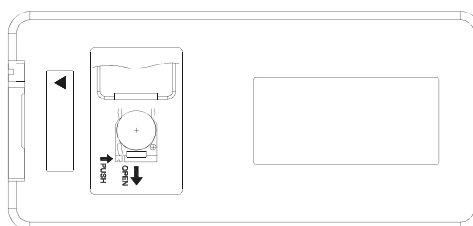
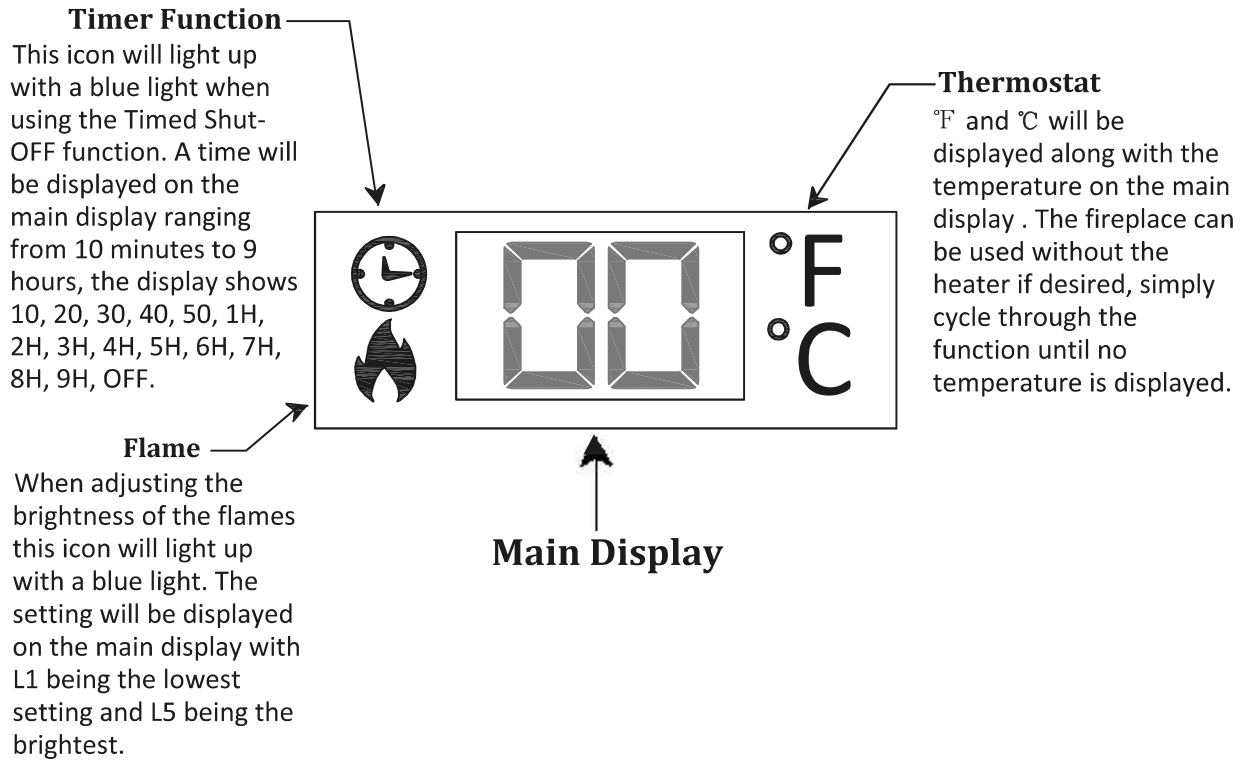


Figure 4

Digital Display



⚠ NOTE
When turned OFF the embers of the log set will take 3 seconds to completely go out. This is a designed feature to represent the embers of the fire slowly fading out.

⚠ NOTE
Although the fireplace has been turned off the fan may still run to prevent overheating.

CARE AND MAINTENANCE

Light Emitting Diode

This fireplace is fitted with LED (Light Emitting Diode) bulbs in place of conventional bulbs. These generate the same light levels as convention bulbs, but use a fraction of the energy. These LED bulbs are maintenance free and should not require replacing during the life of the product.

Cleaning



WHILE IN USE AND FOR SEVERAL MINUTES AFTER USE, THE FIREPLACE UNIT CAN GET HOT INCLUDING, BUT NOT LIMITED TO, THE TOP CENTER OF THE FIREPLACE.

Use caution before attempting any maintenance or cleaning to reduce the risk of fire, electric shock, injury or death.

WARNING

When transporting or storing the unit and cord, make certain unit is unplugged and has had time to cool down. The fireplace and cord should be kept in a dry place, free from excessive vibration or dust and stored so as to avoid damage.

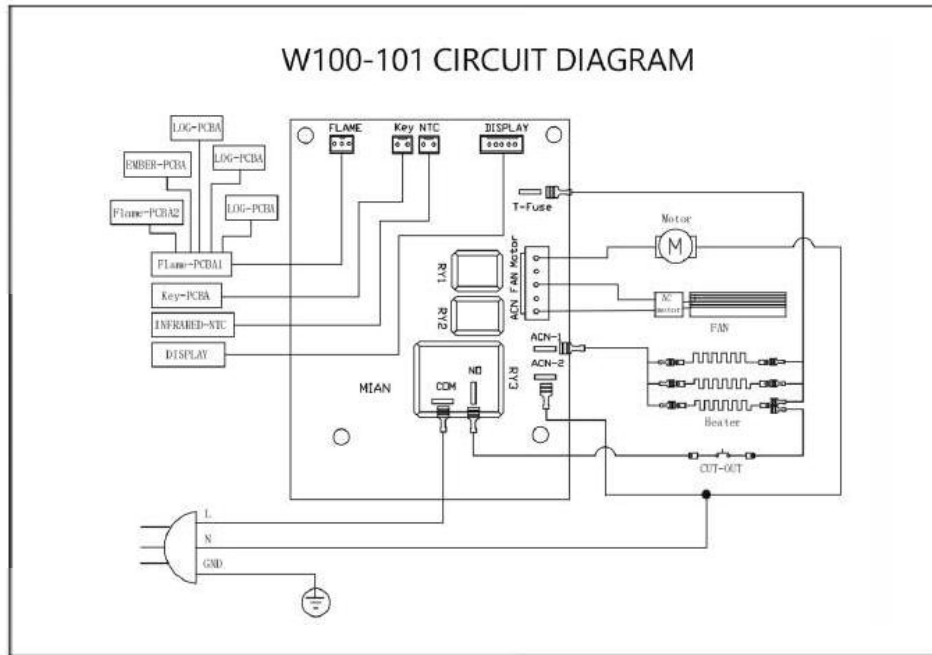
Before cleaning the fireplace, make sure it has been shut off, unplugged and it has had time to cool down to avoid the risk of burns, fire, shock, serious injury or death. Dust the unit using a clean dry cloth. Use warm water and a clean cloth to wipe off all painted surfaces. Do not use abrasive cleaners.

Use a standard non-flammable glass cleaner for the glass panel of the unit.

IN NO EVENT WILL ASHLEY FURNITURE INDUSTRIES, LLC. OR ITS SUBSIDIARIES, AFFILIATES, DIRECTORS, OFFICERS, OR AGENTS (COLLECTIVELY "AFI"), BE LIABLE TO THE PURCHASER OR ANY THIRD PARTY, WHETHER IN CONTRACT, IN TORT, OR ON ANY OTHER BASIS, FOR ANY INDIRECT, SPECIAL, PUNITIVE, EXEMPLARY, CONSEQUENTIAL, OR INCIDENTAL LOSS, COST, OR DAMAGE ARISING OUT OF OR IN CONNECTION WITH THE SALE, MAINTENANCE, USE, OR INABILITY TO USE THE FIREPLACE, EVEN IF AFI OR ITS DIRECTORS, OFFICERS, OR AGENTS HAVE BEEN ADVISED OF THE POSSIBILITY OF SUCH LOSSES, COSTS OR DAMAGES, OR IF SUCH LOSSES, COSTS, OR DAMAGES ARE FORESEEABLE. IN NO EVENT WILL AFI BE LIABLE FOR ANY DIRECT LOSSES, COSTS, OR DAMAGES THAT EXCEED THE PURCHASE PRICE OF THE PRODUCT.

SOME JURISDICTIONS DO NOT ALLOW THE EXCLUSION OR LIMITATION OF INCIDENTAL OR CONSEQUENTIAL DAMAGES, SO THE ABOVE LIMITATION OR EXCLUSION MAY NOT APPLY TO THE PURCHASER.

CIRCUIT DIAGRAM



⚠ WARNING

If the fireplace appears to malfunction, turn the unit off and unplug the fireplace from the wall immediately. Please contact the store that this was purchased from with the original purchase receipt or call 1 (866) 436-3393 for service related questions or concerns. **Please do not attempt to repair the electric fireplace.**

HARDWARE

The fireplace includes brackets to fix the insert in place inside the furniture. For additional details for installation please check the furniture assembly instructions.

Hardware included: (2) adjustable brackets, (1) Allen key (M4), (2) Phillips screws and (2) bolts with (1) 1/4" Flat Washer, (1) 1/4" Lock Washer.

ADJUSTABLE BRACKETS



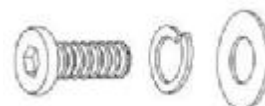
ALLEN KEY (M4)



PHILLIPS SCREW



BOLT WITH LOCK WASHER AND FLAT WASHER



TROUBLE SHOOTING GUIDE

There are no user serviceable parts inside the fireplace. If the unit appears to malfunction, turn the unit off and unplug the unit from the wall immediately. Please contact the store that this was purchase from with the original purchase receipt or call 1 (866) 436-3393 for service related questions or concerns. Alteration of the fireplace will void its warranty and may cause the fireplace to malfunction resulting in electrical shock, fire, death or serious bodily injury or property damage.

PROBLEM	SOLUTION
1: No power or function	1.1: Check that unit is plugged into a standard 120V outlet. 1.2: Press power button on the control panel
2: Have flame effect, but fireplace does not blow warm air	2.1: Confirm temperature setting exceeds room temperature. 2.2: Try to turn on/off fireplace button several times to make sure it's in the "ON" position.
3: Fireplace does not work, but Power and Fireplace switches are in the "ON" position and thermostat is set on "99"	3.1: Turn all switches to the "OFF" position and unplug the unit from the wall outlet for 5-10 minutes. After 5-10 minutes plug the unit back into wall outlet, and operate as normal.
4: The display unit on the control panel shows " " and the function indicator is quick flashing indicating it is in alarm mode.	4.1: Unplug the unit from the wall outlet for 5-10 minutes. After 5-10 minutes plug the unit back into wall outlet, and operate as normal.
5: Only the flame icon is present and does not display the flame levels (ie.L1,L2 ..) when the flame button is pressed.	5.1: Press and hold the flame button for 5 seconds. Once the unit "beeps" the flame levels should appear.

Warranty & Return Policies

Please refer to the included warranty card. Be sure to keep this manual and Warranty card for possible future use.

Manufactured by Source Pro Industries Co.,Ltd for Ashley Furniture Industries, LLC.



Electric Fireplace Warranty Information

LIMITED WARRANTIES

The following Limited Warranties are given only to the original retail purchaser, subject to all the terms and conditions below. These Limited Warranties are non-transferable:

Ashley Furniture Industries, Inc. (the "Warrantor"), subject to all the limitations and exclusions described in these Limited Warranties, warrants the following products and parts against material manufacturing defects for the duration set forth next to that product or part in the table below.

Product or Part	Limited Warranty Duration	Labor Coverage
Fireplace Unit Fireplace Unit means the electrical components, circuit boards, heating element, blower, remote control, metal, buttons, thermostat, sensors, molded logs (or the equivalent) and glass.	1 Year Limited Warranty from date of purchase	1 Year from date of purchase

LIMITATIONS AND EXCEPTIONS

The following limitation and exceptions apply to the Limited Warranties:

Remedy

Under these Limited Warranties, for all products, the sole liability of Warrantor is limited to repair, or at its option, replacement of the applicable product or part not in conformity with these Limited Warranties. REFUNDS ARE NOT AVAILABLE. If within the warranty period, identical materials are unavailable at the time of repair or replacement, Warrantor reserves the right to substitute materials of equal or better quality.

In addition, during the period of any applicable Labor Coverage, Warrantor will pay, within one year from the date of purchase, reasonable and customary labor rates to repair or replace the defective parts (at Warrantor's sole option) and shipping costs from the retailer to and from Warrantor, at no charge to the original retail purchaser. After the expiration of the Labor Coverage or for all products or parts not covered by Labor Coverage, the original retail purchaser will be responsible for labor, packing, and all shipping and transportation costs. The costs associated with transporting the Fireplace Unit or parts from your home to the retailer or from the retailer to your home are excluded from all Limited Warranties.

Any item repaired or replaced under these Limited Warranties will be covered by the Limited Warranties for the remainder of the original warranty period only.

All Products

These Limited Warranties do not apply to (i) rented, business, commercial, institutional, or other non-residential uses, (ii) merchandise that was, at any time, used as a floor sample or display model, (iii) any merchandise purchased "as is" or second-hand, (iv) any merchandise purchased at a distress sale or a going-out-of-business sale, (v) any merchandise purchased from a liquidator, or (vi) merchandise obtained from a rental retailer. All warranties, whether express or implied, cover only normal household usage. No warranty, express or implied, applies to any condition resulting from misuse, abuse, delivery or transportation damage, nor any condition resulting from incorrect or inadequate maintenance, cleaning or care. These Limited Warranties are null and void if the Fireplace Unit has been moved from original point of delivery to consumer.

Chemical Treatments

These Limited Warranties do not cover damages or defects caused by use of chemical treatments or protective coatings on the finish by the retailer or the original retail purchaser, and any such chemical treatments or protective coatings voids all warranties of Warrantor.

Modifications to Products

These Limited Warranties do not apply to any products that have been altered by any person, dealer, or company without the express written authorization of Warrantor.

Implied Warranties

IMPLIED WARRANTIES, INCLUDING ANY OF MERCHANTABILITY AND FITNESS FOR A PARTICULAR PURPOSE IMPOSED ON THE SALE OF THIS FIREPLACE UNIT AND ITS PARTS UNDER STATE LAW, ARE LIMITED IN DURATION TO THE WARRANTY PERIOD AND NO WARRANTIES APPLY AFTER THAT PERIOD. SOME STATES DO NOT ALLOW LIMITATIONS ON HOW LONG AN IMPLIED WARRANTY LASTS, SO THE ABOVE LIMITATIONS MAY NOT APPLY TO YOU.

DISCLAIMER

NO OTHER EXPRESS WARRANTY HAS BEEN MADE OR WILL BE MADE ON BEHALF OF WARRANTOR WITH RESPECT TO THE FIREPLACE UNIT AND ITS PARTS, OR THE OPERATION, REPAIR, OR REPLACEMENT OF THE FIREPLACE UNIT AND ITS PARTS. FURTHERMORE, NO REPRESENTATIVE OF WARRANTOR OR ITS DISTRIBUTORS OR RETAILERS IS AUTHORIZED TO MAKE ANY CHANGES OR MODIFICATIONS TO THESE LIMITED WARRANTIES.

SOME RETAILERS OFFER EXTENDED OR ADDITIONAL WARRANTIES, INCLUDING BUT NOT LIMITED TO EXTENDED OR ADDITIONAL FABRIC WARRANTIES, EITHER FROM THE RETAILER OR THROUGH A THIRD-PARTY. WARRANTOR SHALL NOT BE LIABLE UNDER ANY EXTENDED OR ADDITIONAL WARRANTIES OFFERED BY ANY RETAILER OR THROUGH A THIRD-PARTY UNDER ANY CIRCUMSTANCES.

IN NO EVENT SHALL WARRANTOR BE RESPONSIBLE FOR CONSEQUENTIAL OR INCIDENTAL DAMAGES, SUCH AS LOSS OF USE, INCONVENIENCE, LOSS OR DAMAGE TO PERSONAL PROPERTY, WHETHER INDIRECT OR DIRECT, AND WHETHER ARISING IN CONTRACT OR TORT EVEN IF IT HAD REASON TO KNOW IN ADVANCE THAT SUCH DAMAGES WERE POSSIBLE. SOME STATES DO NOT ALLOW THE EXCLUSION OR LIMITATION OF INCIDENTAL OR CONSEQUENTIAL DAMAGES, SO THE FOREGOING LIMITATION OR EXCLUSION MAY NOT APPLY TO YOU.

IN NO EVENT SHALL WARRANTOR'S RESPONSIBILITY EXCEED THE PURCHASE PRICE OF THE PRODUCT OR ITS REPLACEMENT.

This warranty gives you specific legal rights, and you may also have other rights that vary from state to state.

CAUTION

While in use and for several minutes after use, the Fireplace Unit may get hot. Keep children away from the Fireplace Unit at all times to avoid burn, shock, serious injury or death. Always supervise children to ensure they do not play with or touch the Fireplace Unit. See the Fireplace Unit User Guide for additional important warnings and instructions.

CLAIM PROCEDURE

To obtain warranty services, the original retail purchaser must comply with the requirements of this Claim Procedure.

Contact the Signature Design by Ashley authorized retailer from whom you purchased your Fireplace Unit, to obtain warranty service. All claims must include the original bill of sale, the product serial number, and be filed within the applicable warranty period. Warrantor reserves the right to require defective parts be returned upon request. You must make arrangements with the retailer to schedule the transportation of the Fireplace Unit or parts from your home to the retailer or from the retailer to your home. If the retailer from which you purchased the Fireplace Unit has closed and you need service, contact Ashley in writing or call our Customer Service.

Signature Design by Ashley Brand Warranty and Retailer Information

Ashley Furniture Industries, LLC.
 Attn: Warranty Department
 One Ashley Way
 Arcadia, WI 54612
 Customer Service Phone Number: 800-477-1117

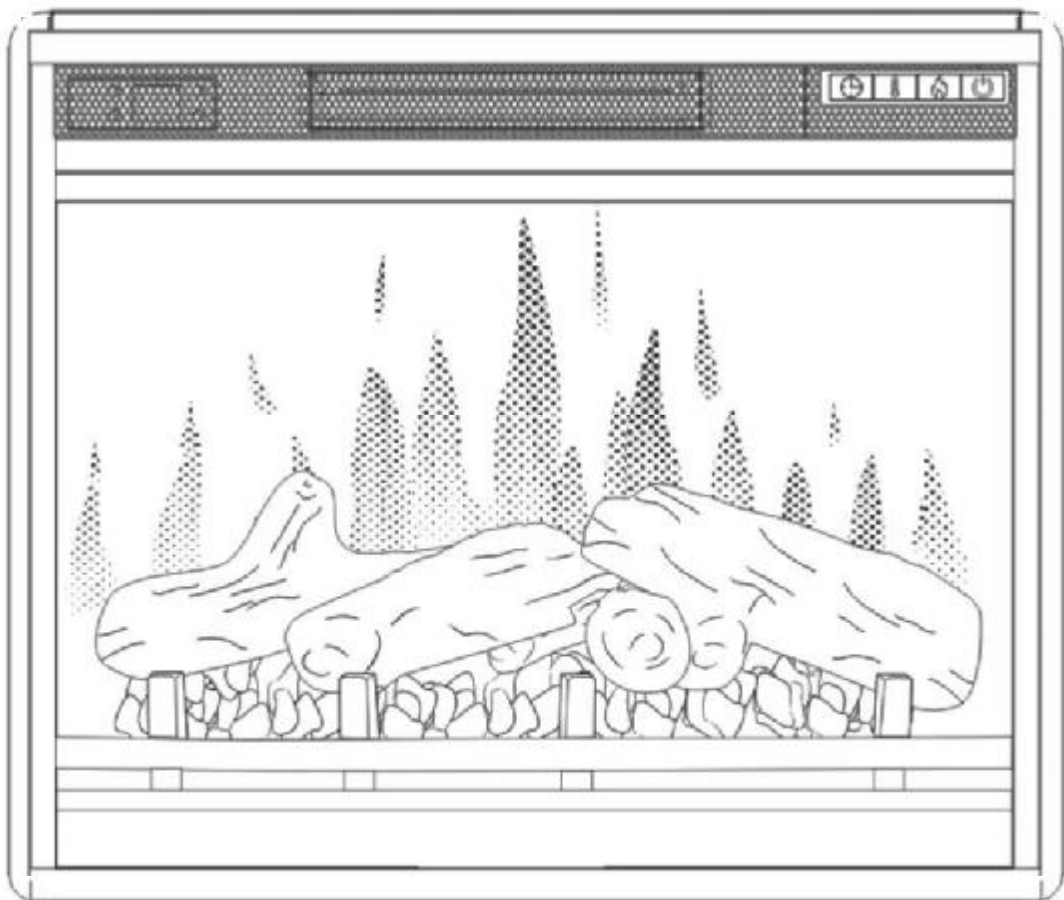
© October 2013, Ashley Furniture Industries, LLC. All rights reserved.

Signature Design by Ashley is a registered trademark of Ashley Furniture Industries, LLC.



Manuel de l'utilisateur du foyer

NUMÉRO DE MODÈLE : W100-101



CONSERVEZ CES INSTRUCTIONS

Table Des Matières

Table des matières	2
RENSEIGNEMENTS IMPORTANTS EN MATIÈRE DE SÉCURITÉ.....	3-4
PRÉPARATION	5
INSTRUCTIONS POUR LA MISE À LA TERRE	5
PRÉPARATION DE L'EMPLACEMENT.....	6
Choisir l'emplacement de votre foyer	6
Caractéristiques.....	6
DÉCLARATION DE LA COMMISSION FÉDÉRALE DES COMMUNICATIONS.....	7
OPÉRATIONS ET FONCTIONNALITÉS.....	8
Utiliser la télécommande	8
Utiliser le tableau de commande.....	9
Affichage numérique	10
ENTRETIEN.....	11
Diode électroluminescente	11
Nettoyage.....	11
DIAGRAMA DEL CIRCUITO.....	12
Accesorio.....	12
DIRECTIVES EN CAS DE DÉFAILLANCE	13
Politiques de garantie et de retour	13-14

RENSEIGNEMENTS IMPORTANTS EN MATIÈRE DE SÉCURITÉ

VEUILLEZ LIRE ET SUIVRE ATTENTIVEMENT TOUTES LES INFORMATIONS ET INSTRUCTIONS CONTENUES DANS CE GUIDE DE L'UTILISATEUR, Y COMPRIS L'INFORMATION EN MATIÈRE DE SÉCURITÉ, DE FONCTIONNEMENT ET D'ENTRETIEN.

NE PAS SUIVRE DE FAÇON PRÉCISE L'INFORMATION CONTENUE DANS CE GUIDE DE L'UTILISATEUR POURRAIT ENTRAÎNER UN FEU, UNE DÉCHARGE ÉLECTRIQUE, UNE BRÛLURE, D'AUTRES IMPORTANTES BLESSURES OU DES DOMMAGES MATÉRIELS.

AVERTISSEMENT

Votre foyer électrique est complètement assemblé en atelier. Aucun assemblage n'est nécessaire pour commencer à l'utiliser. Le foyer ne contient aucune pièce interne réparable par l'utilisateur. Si l'article semble être défectueux, mettez-le hors tension et débranchez-le immédiatement du mur. Veuillez communiquer avec le service à la clientèle. Toute modification apportée au foyer annulera sa garantie et pourrait causer une défektivité du foyer, entraînant une décharge électrique, un feu, la mort, d'importantes blessures ou des dommages matériels.



PENDANT L'UTILISATION ET PLUSIEURS MINUTES APRÈS L'AVOIR

ÉTEINT, DES PARTIES DU FOYER PEUVENT DEVENIR CHAUDES, Y COMPRIS, SANS TOUTEFOIS S'Y LIMITER, SA PARTIE CENTRALE SUPÉRIEURE. EN TOUT TEMPS, NE LAISSEZ PAS LES ENFANTS S'APPROCHER DU FOYER AFIN DE LEUR ÉVITER DES BRÛLURES, DES DÉCHARGES ÉLECTRIQUES, DES BLESSURES IMPORTANTES OU LA MORT. Surveillez toujours les enfants pour vous assurer qu'ils ne jouent pas avec le foyer ou y touchent. Ne placez pas de tissus, de décorations ou autres matières combustibles par-dessus la sortie d'aération du foyer et ne la bloquez pas de quelque façon que ce soit, puisque cela pourrait entraîner un feu, d'importantes blessures ou la mort.

Si vous avez des questions concernant l'utilisation du foyer ou si vous pensez qu'il a besoin de réparations, veuillez communiquer avec Ashley Furniture Industries au numéro ci-dessous.

Service à la clientèle : 1 (866) 436-3393

INSTRUCTIONS IMPORTANTES EN MATIÈRE DE SÉCURITÉ

Lea todas las instrucciones antes de utilizar el electrodoméstico.

Dans le but de réduire le risque de feu, de décharge électrique, de blessures, de mort et de dommages matériels, des précautions

de base devraient toujours être prises lors de l'utilisation d'appareils électriques. Ces précautions incluent notamment les suivantes :

1. Ce foyer est chaud lorsqu'il est utilisé et le reste pendant plusieurs minutes après avoir été éteint. Pour éviter les brûlures, ne touchez pas aux surfaces chaudes du foyer comme les zones de circulation d'air chaud. **NE TENTEZ PAS DE BOUGER LE FOYER PENDANT QU'IL EST BRANCHÉ, QU'IL FONCTIONNE OU PLUSIEURS MINUTES APRÈS QU'IL A ÉTÉ ÉTEINT.** Si des poignées vous ont été fournies, utilisez-les lorsque vous déplacez ce foyer. Éloignez d'au moins 3 pieds (0,9 mètre) du foyer toutes les matières combustibles comme les meubles, les coussins, les couvertures, les papiers, les vêtements et les rideaux.
2. Éloignez toujours les enfants du foyer ou assurez-vous de les surveiller quand ils en sont près.
3. Débranchez toujours le foyer lorsqu'il n'est pas utilisé.
4. Pour éviter tout risque de décharge électrique, de feu, de mort, d'importantes blessures et de dommages matériels, n'utilisez pas le foyer si le cordon électrique ou la fiche électrique sont endommagés ou si le foyer est défectueux, est tombé ou a été endommagé de quelque façon que ce soit. Veuillez communiquer avec le service à la clientèle.
5. **N'UTILISEZ PAS LE FOYER À L'EXTÉRIEUR** puisque cela pourrait entraîner une décharge électrique, un feu, la mort, d'importantes blessures ou des dommages matériels.
6. Ce foyer n'est pas destiné à l'utilisation dans les toilettes, les salles de lavage ou tout autre endroit se trouvant près de l'eau ou où le foyer pourrait devenir mouillé. Le foyer ne doit pas être utilisé dans ce type d'endroits. Ne placez jamais le foyer dans un endroit où il pourrait tomber dans un bain ou dans toute autre source d'eau. Le fait de ne pas suivre cette instruction pourrait entraîner une décharge électrique, un feu, d'importantes blessures, la mort ou des dommages matériels.
7. Ne placez pas le cordon d'alimentation sous un tapis. Ne recouvrez pas le cordon d'alimentation de carpettes, de chemins de table ou d'autres objets semblables. Placez le cordon d'alimentation où il n'y a pas de circulation et où personne n'y trébuchera ou ne l'endommagera.
8. Pour débrancher le foyer, éteignez les commandes, puis retirez la fiche électrique de la prise de courant.
9. Ne branchez le foyer que sur des prises de courant correctement mises à la terre.
10. No introduzca objetos extraños ni permita que entren en las aberturas de ventilación o escape, ya que pueden provocar descargas eléctricas, incendios o daños en el electrodoméstico.
11. Pour prévenir la possibilité de feu, n'obstruez en aucune façon les entrées ou évacuations d'air du foyer. N'utilisez pas le foyer sur des surfaces moelleuses, comme un lit, où les ouvertures pourraient se retrouver bloquées.
12. Un foyer contient des pièces chaudes et produisant des arcs électriques ou des étincelles. N'utilisez pas le foyer dans des endroits où de l'essence, de la peinture ou d'autres liquides ou gaz inflammables sont utilisés ou rangés.
13. Un thermostat de limite de température se trouve à l'intérieur du foyer. Lorsque la température interne égale ou dépasse le niveau de thermostat déterminé ou si un réchauffement anormal se produit, le thermostat de protection coupe l'alimentation pour éviter que le foyer subisse des dommages ou qu'un feu se produise.
14. N'utilisez ce foyer que de la façon décrite dans ce manuel d'utilisateur. Le fait de ne pas suivre cette instruction ou d'utiliser le foyer d'une manière non mentionnée dans le présent manuel pourrait entraîner un feu, une décharge électrique, la mort, d'importantes blessures ou des dommages matériels.
15. Branchez toujours le foyer directement sur une prise de courant murale mise à la terre. N'utilisez jamais le foyer avec une rallonge électrique ou une barre d'alimentation.

CONSERVEZ CES INSTRUCTIONS

PRÉPARATION

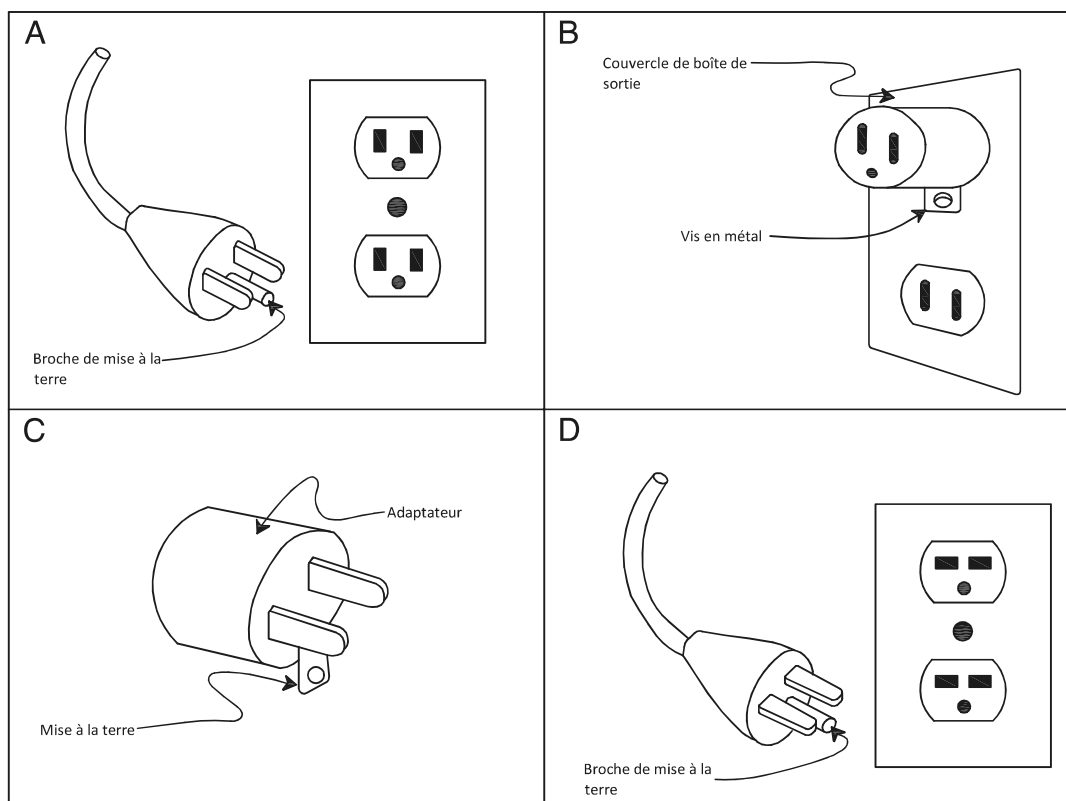
INSTRUCTIONS POUR LA MISE À LA TERRE

Ce produit doit être mis à la terre. Ce produit est fourni avec un cordon électrique composé d'un conducteur de mise à la terre d'équipement et d'une fiche de mise à la terre. La fiche électrique doit être branchée sur une prise de courant appropriée qui est correctement installée et mise à la terre, en respectant tous les codes et toutes les ordonnances de votre région.

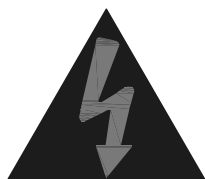
Ce foyer doit être utilisé dans un circuit de 120 volts et se compose d'une fiche de mise à la terre qui ressemble à celle illustrée dans

la figure 1. Référez-vous à la figure 1 pour obtenir des instructions sur la mise à la terre. Il existe un adaptateur comme celui présenté dans la fenêtre C pour brancher des fiches de mise à la terre à trois broches sur des prises à deux fentes. La fiche de mise à la terre verte reliée à l'adaptateur doit être branchée sur une mise à la terre permanente, comme une boîte de sortie correctement mise à la terre. L'adaptateur ne devrait pas être utilisé si une prise mise à la terre à trois broches est disponible.

Figure 1



Connecter incorrectement le conducteur de mise à la terre d'équipement pourrait entraîner un risque de décharge électrique. Veuillez consulter un électricien ou un agent de service qualifié si vous n'êtes pas certain que le produit est correctement mis à la terre. N'apportez pas de modifications à la fiche électrique fournie avec le produit. Si elle n'est pas compatible avec la prise de courant, demandez à un électricien qualifié d'installer une prise appropriée.



Remarque :

Un circuit de 15 ampères et de 120 volts est nécessaire. Il est préférable d'utiliser un circuit distinct, même si ce n'est pas toujours nécessaire. Un circuit distinct sera nécessaire si le disjoncteur se déclenche après l'installation ou si un fusible saute régulièrement lorsque le foyer fonctionne. Brancher d'autres appareils électriques sur le même circuit pourrait entraîner une surcharge relative au courant nominal du disjoncteur.

PRÉPARATION DE L'EMPLACEMENT

Pour réduire le risque de feu, de décharge électrique, de dommages matériels, d'importantes blessures ou de mort, assurez-vous que le cordon d'alimentation n'est pas comprimé ou placé contre un objet pointu et qu'il est rangé et attaché pour éviter que les gens y trébuchent.

Choisir l'emplacement de votre foyer

Lea y cumpla con las instrucciones de seguridad de esta guía del usuario. De no hacerlo, puede provocar lesiones graves o mortales, o daños en la propiedad.

WARNING

Le non-respect d'un écart minimal de 1-1/2 pouces (environ 3,8 cm) entre le dessus de l'insert du foyer électrique et le dessus du meuble (voir le diagramme 1) pourrait entraîner un incendie, des blessures corporelles, la mort ou des dommages matériels.

Un écart minimum de 1 pouce (environ 2,5 cm) doit être prévu entre le bord arrière des côtés du meuble et le mur pour permettre l'entrée d'air pour le radiateur (voir le diagramme 2). Sinon, le dispositif de protection contre la surchauffe sera activé, l'erreur E1 sera affichée et le radiateur cessera de fonctionner.

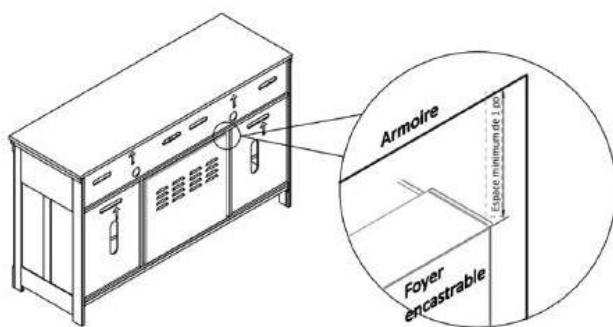


Diagramme 1

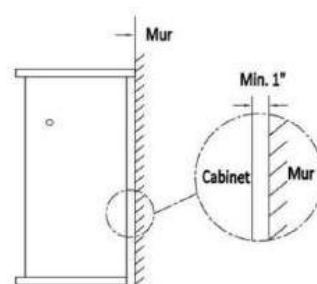


Diagramme 2

Especificaciones

Dimensión de inserción de la chimenea (W*D*H)	603*220*510mm
Peso bruto	15.8KGs/34.8LBS
Voltaje	120V
Frecuencia	60Hz
Vatios/Amperios	1500W
Potencia nominal del calefactor	1350-1575W
BTU/h	4608-5386 BTU/h

DÉCLARATION DE LA COMMISSION FÉDÉRALE DES COMMUNICATIONS



REMARQUE : Après avoir subi des tests, cet équipement a été classé dans les limites de la catégorie d'un appareil numérique de classe B en accord avec la partie 15 des directives de la Commission fédérale des communications. Ces limites sont conçues pour fournir une protection raisonnable contre les interférences nuisibles dans un environnement domestique. Cet équipement génère, utilise et peut émettre de l'énergie radiofréquence. S'il n'est pas installé et utilisé conformément aux instructions, il risque de provoquer des interférences nuisibles aux communications radio. Toutefois, rien ne garantit qu'une configuration donnée n'engendrera pas des interférences. Si cet équipement cause des interférences nuisibles à la réception radio ou à la réception de télévision, ce qui peut être vérifié en éteignant et en rallumant l'équipement, l'utilisateur est encouragé à essayer de corriger la situation d'interférence à l'aide d'une ou plusieurs des mesures suivantes :

- 1: Réorienter ou déplacer l'antenne de réception.
- 2: Éloigner l'équipement du récepteur.
- 3: Brancher l'équipement sur une prise de courant reliée à un autre circuit que celui de la prise sur laquelle le récepteur est branché.
- 4: Obtenir de l'aide du détaillant ou d'un technicien de radio et de télévision.

Cet appareil est conforme à la partie 15 des directives de la Commission fédérale des communications. Le fonctionnement de l'appareil est sujet aux deux conditions suivantes.

- 1): Cet appareil ne doit pas causer d'interférences nuisibles; et
- 2): cet appareil doit accepter toute interférence reçue, y compris les interférences pouvant entraîner un fonctionnement indésirable.

Toute modification non approuvée par la partie responsable de la conformité pourrait annuler l'autorisation de l'utilisateur de se servir de cet appareil

OPÉRATIONS ET FONCTIONNALITÉS

Utiliser la télécommande

Alimentation

Permette ENCENDER y APAGAR la unidad. Cuando se APAGA la unidad, el ventilador continua en operación hasta por 3 minutos después de apagar la función de calefactor para enfriar y evitar que la unidad se recaliente. Cuando se vuelve a ENCENDER la unidad, el sistema recupera el anteriormente. Almacena los ajustes de llamas y calefacción.

Réglage de la luminosité

Cette commande vous permet d'augmenter ou de diminuer la luminosité de la flamme. Remarque : Lorsque l'article est mis hors tension, les bûches s'éteignent complètement en 3 secondes.

Minuterie

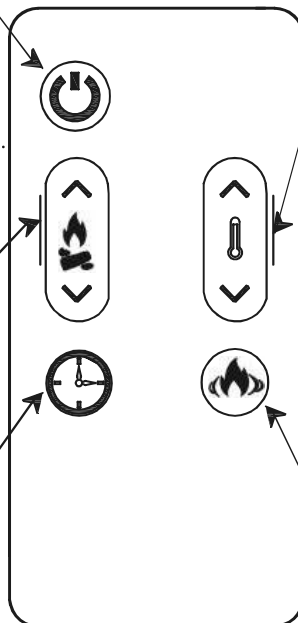
Cette fonction vous permet de programmer la mise hors tension automatique du foyer après la durée indiquée à l'écran. La minuterie peut être réglée entre 10 minutes et 9 heures. L'écran indiquera 10, 20, 30, 40, 50, 1H, 2H, 3H, 4H, 5H, 6H, 7H, 8H ou 9H. Ne laissez pas le foyer en marche sans surveillance.

Réglage de la température

Cette commande vous permet de programmer le thermostat. Le foyer peut être utilisé sans chauffage si désiré. Faites défiler le réglage jusqu'à ce qu'aucune température ne soit affichée. Maintenez enfoncée la flèche vers le bas pendant cinq secondes pour alterner entre l'affichage de la température en °F (Fahrenheit) et en °C (Celsius). Le mode Chaleur doit être activé.

Braise dynamique

Cette fonction fait automatiquement varier l'intensité selon laquelle luisent les braises du feu afin de créer un feu d'apparence plus réaliste.



Utiliser le panneau de commande

Minuterie/Braise dynamique

Cette commande vous permet de programmer la mise hors tension automatique du foyer. Pour activer la braise dynamique, appuyez pendant 5 secondes, puis appuyez de nouveau après avoir entendu un bip. Pour désactiver la fonction, maintenez le bouton de minuterie enfoncé pendant 5 secondes.

Réglage de la température

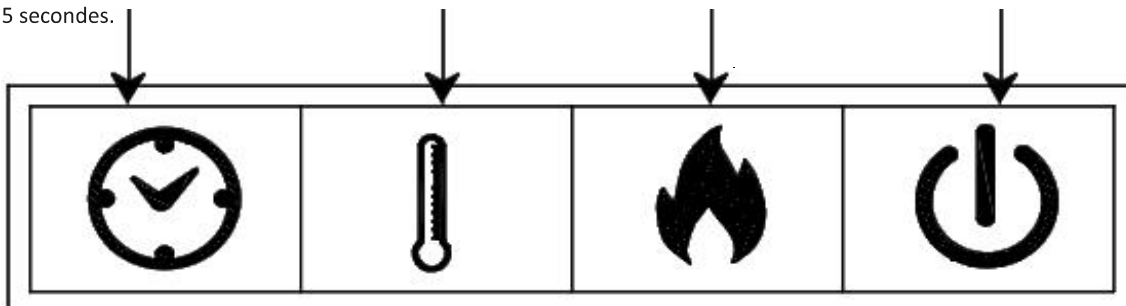
Cette commande vous permet de programmer le thermostat. Le foyer peut être utilisé sans chauffage si désiré. Faites défiler le réglage jusqu'à ce qu'aucune température ne soit affichée. Maintenez enfoncé le bouton pendant cinq secondes pour alterner entre l'affichage de température en °F (Fahrenheit) et en °C (Celsius).

Réglage de la luminosité

Cette commande fait défiler les cinq niveaux de luminosité de la flamme.

Encendido

Permite ENCENDER y APAGAR la unidad. Cuando se vuelve a ENCENDER la unidad, el sistema carga los ajustes predeterminados de fábrica.



La télécommande du foyer

La télécommande permet d'utiliser toutes les fonctions du panneau de commande avant pour une flexibilité et une commodité accrues lors de la modification des réglages.

Avant tout, retirez la pellicule de plastique recouvrant la pile de la télécommande (la pile est comprise avec la télécommande). Vous pouvez acheter des piles de rechange dans tous les magasins d'articles électroniques. Le numéro de pièce de la pile est le CR2025. Suivez les étapes ci-dessous pour remplacer la pile.

1. Retirez le support de la pile et repérez le compartiment à pile. (Figure 1)

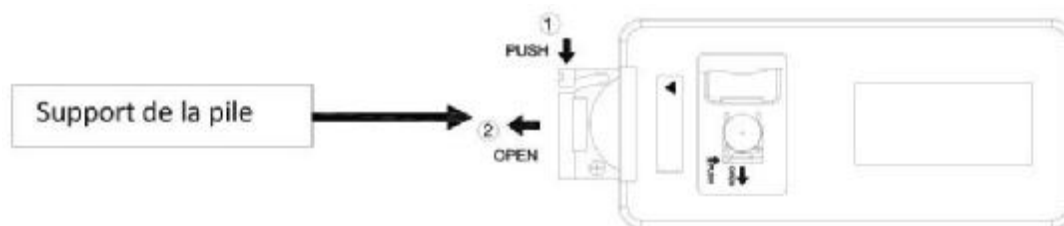


Figure 1

2. Le numéro de la pile est le CR2025. L'un des côtés de la pile présente un relief et l'autre est plat. (Figure 2)

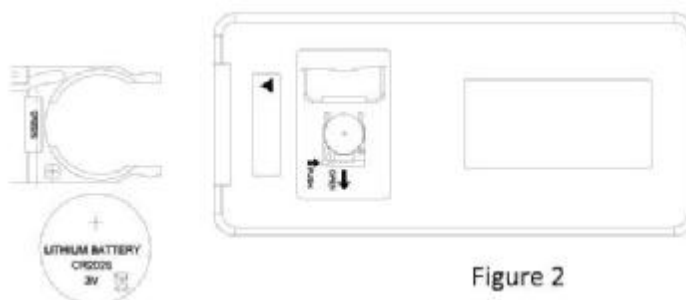


Figure 2

3. Insérez la pile en plaçant le côté présentant un relief à l'intérieur du compartiment et assurez-vous que la pile est solidement mise en place. (Figure 3)

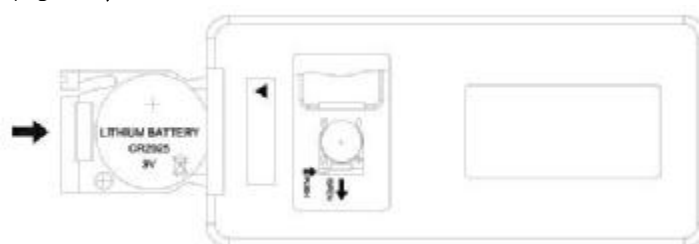


Figure 3

4. Press the battery bracket into the remote control, making sure it snaps into position. (Figure 4)

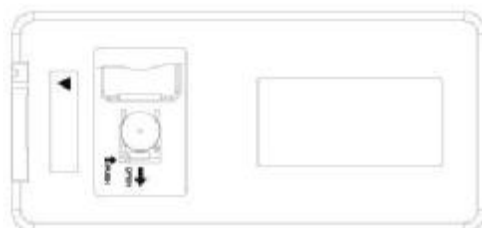


Figure 4

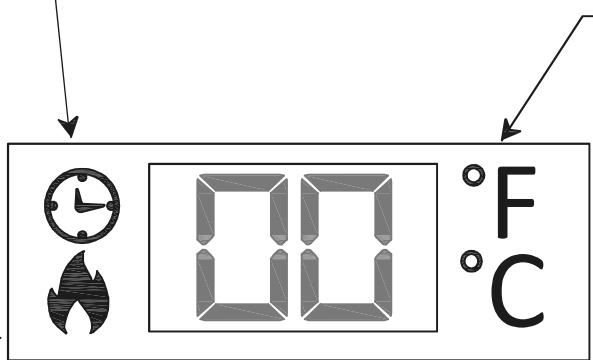
Affichage numérique

Fonction de minuterie

Cette icône s'allume en bleu lorsque la fonction de mise hors tension minutée est activée. Une durée entre 10 minutes et 9 heures s'affichera sur l'écran principal. L'écran indiquera 10, 20, 30 40, 50, 1H, 2H, 3H, 4H, 5H, 6H, 7H, 8H, 9H ou OFF.

Flamme

Cette icône s'allume en bleu lorsque vous réglez la luminosité de la flamme. Le réglage s'affichera sur l'écran principal. L1 équivaut à la plus faible luminosité et L5, à la plus forte.



Thermostat

La température s'affichera sur l'écran principal, suivie de °F ou de °C. Si désiré, le foyer peut être utilisé sans émettre de chaleur. Pour ce faire, faites défiler le réglage jusqu'à ce qu'aucune température ne soit affichée.

Écran principal

⚠ REMARQUE :

Lorsque l'article est mis hors tension, les bûches prennent 3 secondes pour s'éteindre complètement. Cette fonctionnalité vise à recréer l'apparence de la braise qui s'éteint lentement.

⚠ REMARQUE :

Aunque se haya apagado la chimenea, el ventilador puede seguir en operación para prevenir el recalentamiento.

ENTRETIEN

Diode électroluminescente

Ce foyer est doté de DEL (diodes électroluminescentes) au lieu d'ampoules ordinaires. Elles permettent d'obtenir le même niveau de luminosité que des ampoules traditionnelles tout en consommant beaucoup moins d'énergie. Ces DEL ne nécessitent aucun entretien et ne devraient pas avoir à être remplacées pendant la durée de vie du produit.

Nettoyage



ATTENTION
CHAUD

PENDANT SON FONCTIONNEMENT ET PENDANT PLUSIEURS MINUTES APRÈS

L'UTILISATION, LE FOYER PEUT DEVENIR CHAUD Y COMPRIS, SANS TOUTEFOIS S'Y LIMITER, SA PARTIE CENTRALE SUPÉRIEURE.

Afin de réduire le risque d'incendie, de décharge électrique, de blessure et de décès, faites preuve de prudence lorsque vous effectuez l'entretien ou le nettoyage de l'article.

AVERTISSEMENT

Lorsque vous transportez ou entreposez l'article et son cordon d'alimentation, assurez-vous que l'article est débranché et qu'il a eu le temps de refroidir. Le foyer et le cordon d'alimentation doivent être conservés dans un endroit sec et exempt de vibrations et de poussière afin d'éviter les dommages.

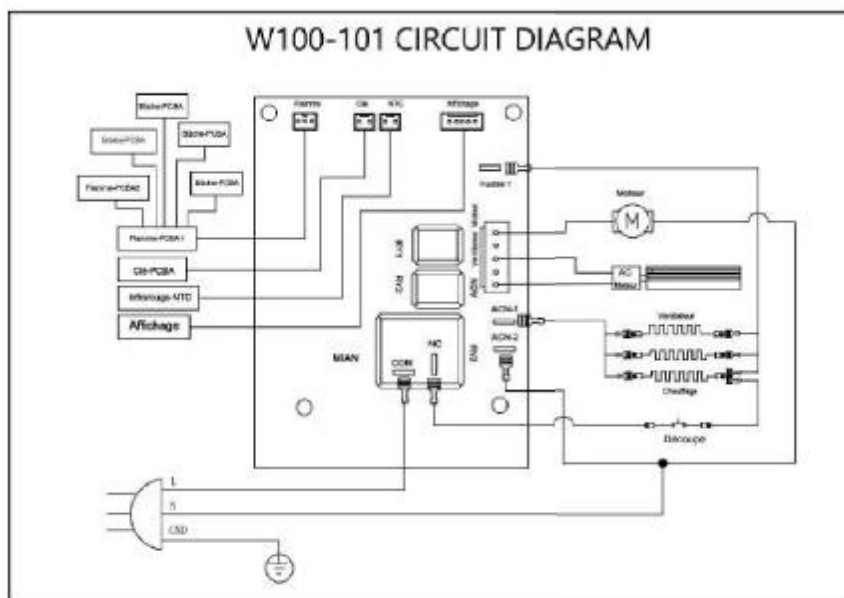
Avant de nettoyer le foyer, assurez-vous qu'il est hors tension, débranché et qu'il a eu le temps de refroidir afin de réduire les risques de brûlure, d'incendie, de décharge électrique, de blessure grave et de décès. Époussetez l'article à l'aide d'un linge propre et sec. Nettoyez les surfaces peintes à l'eau tiède avec un linge propre. N'utilisez pas de nettoyeurs abrasifs.

Nettoyez le panneau vitré de l'article à l'aide d'un nettoyant à vitre ininflammable ordinaire.

ASHLEY FURNITURE INDUSTRIES, LLC., SES FILIALES, SES SOCIÉTÉS AFFILIÉES, SES DIRIGEANTS, SES AGENTS ET SES REPRÉSENTANTS (COLLECTIVEMENT, « AFI ») NE PEUVENT EN AUCUN CAS ÊTRE TENUS RESPONSABLES À L'ENDROIT DE L'ACHETEUR OU DE TOUT AUTRE TIERS POUR TOUTE PERTE, TOUT DOMMAGE ET TOUT COÛT INDIRECT, SPÉCIAL, PUNITIF, EXEMPLAIRE, CONSÉCUTIF OU ACCESSOIRE DÉCOULANT DE LA VENTE, DE L'ENTRETIEN, DE L'UTILISATION OU DE L'INCAPACITÉ D'UTILISER LE FOYER, OU ASSOCIÉ À CEUX-CI, QU'IL SE PRODUISE DANS LE RESPECT DU CONTRAT OU NON, MÊME SI AFI OU SES DIRIGEANTS, SES AGENTS OU SES REPRÉSENTANTS ONT ÉTÉ AVISÉS DE LA POSSIBILITÉ QUE DE TELLES PERTES, DE TELS COÛTS OU DE TELS DOMMAGES SE PRODUISSENT OU SI LESDITES PERTES, LESDITS COÛTS OU LESDITS DOMMAGES SONT PRÉVISIBLES. AFI N'EST EN AUCUN CAS RESPONSABLE DE TOUTE PERTE, DE TOUT COÛT OU DE TOUT DOMMAGE DÉPASSANT LE PRIX DU PRODUIT.

CERTAINS TRIBUNAUX NE PERMETTENT PAS LA LIMITATION OU L'EXCLUSION DES DOMMAGES ACCESSOIRES OU INDIRECTS; LES LIMITATIONS ET LES EXCLUSIONS CI-DESSUS POURRAIENT DONC NE PAS S'APPLIQUER À VOTRE CAS.

DIAGRAMA DE CIRCUITO



ADVERTENCIA

Si el electrodoméstico pareciera presentar un mal funcionamiento, apáguelo y desenchúfelo de inmediato del tomacorriente. En el caso de preguntas o inquietudes respecto al servicio de la unidad, comuníquese con la tienda en la que adquirió la unidad, con el recibo original de compra, o llame al 1 (866) 436-3393. **No intente re-parar la chimenea eléctrica.**

ACCESORIOS DE MONTAJE

La chimenea incluye soportes para fijar el inserto en el mueble. Revise las instrucciones de montaje del mueble para obtener mayores detalles de la instalación.

Accesorios de montaje incluidos: (2) soportes ajustables, (1) llave hexagonal (M4), (2) tornillos de estrella y (2) pernos con (1) arandela plana de 1/4" y (1) arandela de presión de 1/4".

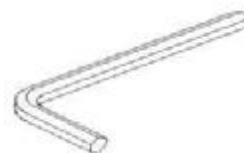
SOPORTES AJUSTABLES



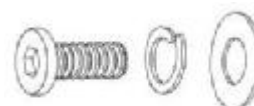
TORNILLOS DE ESTRELLA
ARANDELA DE PRESIÓN



LLAVE HEXAGONAL (M4)



PERNO CON ARANDELA PLANA Y



DIRECTIVES EN CAS DE DÉFAILLANCE

Le foyer ne contient aucune pièce interne réparable par l'utilisateur. Si l'article semble être défectueux, mettez-le hors tension et débranchez-le immédiatement du mur.

Veuillez communiquer avec le magasin où l'achat a été effectué et présentez le reçu d'achat original ou composez le 1 (866) 436-3393. si vous avez des questions ou des préoccupations concernant la réparation.

Toute modification apportée au foyer annulera sa garantie et pourrait causer une défectuosité du foyer, entraînant une décharge électrique, un feu, la mort, d'importantes blessures ou des dommages matériels.

PROBLÈME	SOLUTION
1: L'article n'est pas alimenté en courant ou ne fonctionne pas	1.1: Vérifiez si l'article est branché sur une prise ordinaire de 120 V. 1.2: Appuyez sur le bouton d'alimentation du panneau de commande.
2: Des flammes apparaissent, mais le foyer n'émet pas de chaleur	2.1: Assurez-vous que la température réglée est supérieure à la température de la pièce. 2.2: Essayez de mettre le foyer hors tension et sous tension à plusieurs reprises pour vous assurer qu'il est en position « ON ».
3: Le foyer ne fonctionne pas, mais les interrupteurs d'alimentation et du foyer sont en position « ON » et le thermostat est réglé à « 99 »	3.1: Placez tous les interrupteurs en position « OFF » et débranchez l'article de la prise murale. Attendez 5 à 10 minutes, puis branchez l'article de nouveau et utilisez-le normalement.
4: L'écran du panneau de commande affiche "FF" et l'indicateur de fonction clignote rapidement pour montrer qu'il est en mode d'alerte.	4.1: Débranchez l'article de la prise murale. Attendez 5 à 10 minutes, puis branchez l'article de nouveau et utilisez-le normalement.
5: Seule l'icône flam est présente lorsque la flamme touche est enfoncée. Il n'affiche pas le niveau de flamme (exp: L1, L2..).	5.1: Appuyez et maintenez enfoncé le bouton de flamme pendant 5 secondes. Lorsque l'unité "bips" la flamme niveau devrait apparaître.

Politiques de garantie et de retour

Veuillez vous reporter à la carte de garantie incluse. Conservez ce guide et la carte de garantie pour une éventuelle utilisation future.

Fabriqué par Source Pro Industries Co., Ltd pour Ashley Furniture Industries, LLC.



Renseignements sur la garantie du foyer électrique

GARANTIES LIMITÉES

Les présentes garanties limitées sont uniquement valides pour l'acheteur au détaillant initial. L'acheteur est assujéti aux conditions d'utilisation ci-dessous. Ces garanties limitées ne sont pas transférables :

Ashley Furniture Industries, Inc. (le « garant ») garantit, conformément à toutes les restrictions et exclusions décrites dans les présentes garanties limitées, les pièces et les produits suivants contre les défauts de fabrication pour la période indiquée pour chaque produit ou pièce figurant dans le tableau ci-dessous.

Produit ou pièce	Durée de la garantie limitée	Couverture de la main-d'œuvre
Foyer Le terme foyer désigne les composants électriques, les cartes de circuit imprimé, l'élément chauffant, le ventilateur, la télécommande, le métal, les boutons, le thermostat, les capteurs, les bûches moulées (ou l'équivalent) et la vitre.	Garantie limitée de 1 an à compter de la date d'achat	1 an à compter de la date d'achat

RESTRICTIONS ET EXCEPTIONS

Les restrictions et exceptions suivantes s'appliquent aux garanties limitées :

Réparation

En application des présentes garanties limitées, pour tous les produits, la seule responsabilité du garant se limite à la réparation, ou à sa discrétion, au remplacement du produit ou de la pièce applicable qui n'est pas conforme aux présentes garanties limitées. AUCUN REMBOURSEMENT NE SERA EFFECTUÉ. Si, durant la période de garantie, des matériaux identiques ne sont pas en stock au moment de la réparation ou du remplacement, le garant se réserve le droit d'utiliser des matériaux de qualité égale ou supérieure.

De plus, pendant la durée de toute couverture des frais de main-d'œuvre, le garant paiera, dans l'année suivant la date d'achat, des frais habituels et raisonnables de réparation ou de remplacement des composants défectueux (à la seule discrétion du garant) ainsi que les frais de livraison entre le détaillant et le garant, sans imposer de frais à l'acheteur au détaillant initial. Après l'expiration de la couverture des frais de main-d'œuvre ou en ce qui concerne l'ensemble des produits ou des pièces dont les frais de main-d'œuvre ne sont pas couverts, l'acheteur initial est responsable de tous les frais de main-d'œuvre, d'emballage, de livraison et de manutention. Les coûts associés au transport du foyer ou des pièces de votre domicile jusqu'au détaillant ou encore du détaillant jusqu'à votre domicile sont exclus de toutes les garanties limitées.

Tout article réparé ou remplacé conformément aux présentes garanties limitées sera couvert par les garanties limitées pour le reste de la période initiale seulement.

Tous les produits

Les garanties limitées ne s'appliquent pas (i) à la marchandise utilisée à des fins de location, dans une entreprise, pour une utilisation commerciale ou institutionnelle ou pour une autre utilisation non résidentielle, (ii) à la marchandise ayant servi à tout moment de modèle ou d'article en montre, (iii) à la marchandise achetée « telle quelle » ou à la marchandise usagée, (iv) à toute marchandise achetée lors d'une vente sur saisie-gagerie ou d'une vente de faillite, (v) à toute marchandise achetée à un liquidateur, ou (vi) à la marchandise obtenue dans un centre de location. Toutes les garanties, expresses ou implicites, couvrent uniquement l'usage normal à domicile. Aucune garantie, expresse ou implicite, ne s'applique à un défaut causé par une mauvaise utilisation ou par un dommage lors de la livraison ou du transport, ni à tout défaut résultant d'une maintenance, d'un nettoyage ou d'un entretien inadéquat ou impropre. Les présentes garanties limitées sont nulles et non avenues si le consommateur a déplacé le foyer de son endroit original de livraison.

Traitements chimiques

Les garanties limitées ne couvrent pas les dommages ou les défauts causés par l'utilisation de traitements ou de revêtements protecteurs chimiques sur le fini par l'acheteur ou le détaillant initial, et toute utilisation de tels traitements ou revêtements protecteurs chimiques annule la garantie offerte par le garant.

Modifications aux produits

Les garanties limitées ne s'appliquent pas aux produits qui ont été modifiés par toute personne, tout détaillant ou toute entreprise sans l'autorisation écrite expresse du garant.

Garanties implicites

LA DURÉE DES GARANTIES IMPLICITES, Y COMPRIS LES GARANTIES DE QUALITÉ MARCHANDE ET DE CONVENANCE À UNE UTILISATION PRÉCISE IMPOSÉES LORS DE LA VENTE DU FOYER ET DE SES PIÈCES EN VERTU DE LA LOI DE L'ÉTAT, SE LIMITE À LA PÉRIODE DE GARANTIE, ET AUCUNE GARANTIE NE S'APPLIQUE APRÈS CETTE PÉRIODE. CERTAINS ÉTATS NE PERMETTENT PAS DE LIMITATIONS SUR LA DURÉE D'UNE GARANTIE IMPLICITE; LES LIMITATIONS CI-DESSUS PEUVENT DONC NE PAS S'APPLIQUER À VOUS.

AVIS DE NON-RESPONSABILITÉ

AUCUNE AUTRE GARANTIE EXPRESSE N'A ÉTÉ PRÉSENTÉE NI NE SERA PRÉSENTÉE PAR LE GARANT À L'ÉGARD DE CE FOYER ET DE SES PIÈCES OU DU FONCTIONNEMENT, DE LA RÉPARATION OU DU REMPLACEMENT DU FOYER ET DE SES PIÈCES. DE PLUS, AUCUN REPRÉSENTANT DU GARANT OU DE SES DISTRIBUTEURS OU DÉTAILLANTS N'EST AUTORISÉ À EFFECTUER DES CHANGEMENTS OU DES MODIFICATIONS AUX PRÉSENTES GARANTIES LIMITÉES.

CERTAINS DÉTAILLANTS OFFRENT DES GARANTIES PROLONGÉES OU SUPPLÉMENTAIRES, Y COMPRIS MAIS SANS S'Y LIMITER DES GARANTIES PROLONGÉES OU SUPPLÉMENTAIRES SUR LES TISSUS, OFFERTES SOIT PAR LE DÉTAILLANT OU PAR UNE TIÈRCIE PARTIE, EN TOUTES CIRCONSTANCES. LE GARANT N'A AUCUNE RESPONSABILITÉ RELATIVE À TOUTE GARANTIE PROLONGÉE OU SUPPLÉMENTAIRE OFFERTE PAR UN DÉTAILLANT OU PAR L'INTERMÉDIAIRE D'UNE TIÈRCIE PARTIE.

LE GARANT N'EST RESPONSABLE EN AUCUN CAS DES DOMMAGES INDIRECTS OU CONSÉCUTIFS TELS QU'UNE PERTE DE L'UTILISATION, UN DÉRANGEMENT, UNE PERTE OU UN DOMMAGE CAUSÉ À UN BIEN PERSONNEL, QUE CE SOIT DIRECTEMENT OU INDIRECTEMENT, ET QUE LES DOMMAGES SE PRODUISSENT DANS LE RESPECT DU CONTRAT OU NON, MÊME S'IL EXISTAIT DES MOTIFS INDIQUANT QUE DE TELS DOMMAGES ÉTAIENT POSSIBLES. CERTAINS ÉTATS NE PERMETTENT PAS LA LIMITATION OU L'EXCLUSION DES DOMMAGES ACCESSOIRES OU INDIRECTS; LES LIMITATIONS ET LES EXCLUSIONS SUSMENTIONNÉES PEUVENT DONC NE PAS S'APPLIQUER À VOTRE CAS.

LA RESPONSABILITÉ DU GARANT NE DOIT EN AUCUN CAS DÉPASSER LE PRIX D'ACHAT DU PRODUIT OU DE SON REMPLACEMENT.

Cette garantie vous confère des droits précis. Vous pouvez également avoir d'autres droits, qui varient d'un État ou d'une province à l'autre.

ATTENTION

En cours d'utilisation ou plusieurs minutes après avoir été éteint, ce foyer peut être chaud. Ne laissez jamais les enfants s'approcher du foyer afin de leur éviter des brûlures, des décharges électriques, des blessures importantes ou la mort. Surveillez toujours les enfants pour vous assurer qu'ils ne jouent pas avec le foyer ou qu'ils n'y touchent pas. Consultez le manuel de l'utilisateur du foyer pour connaître les autres avertissements importants et obtenir les instructions.

PROCÉDURE DE RÉCLAMATION

Pour obtenir des services au titre de la garantie, l'acheteur au détaillant initial doit répondre aux exigences de la présente procédure de réclamation.

Communiquez avec le détaillant Signature Design by Ashley autorisé auprès duquel vous avez acheté votre foyer pour obtenir des services au titre de la garantie. Toutes les réclamations doivent être accompagnées du reçu de vente original et du numéro de série du produit et elles doivent être présentées durant la période de validité de la garantie. Le garant se réserve le droit d'exiger que les pièces défectueuses lui soient retournées s'il le demande. Vous devez convenir avec le détaillant du moment où le foyer ou ses pièces seront transportés de votre domicile jusqu'au détaillant, ou du détaillant jusqu'à votre domicile. Si vous avez besoin de services, mais que le détaillant auprès duquel vous avez acheté le foyer est maintenant fermé, communiquez avec Ashley par écrit ou appelez notre service à la clientèle.

Renseignements sur la garantie et les détaillants de la marque Signature Design by Ashley

Ashley Furniture Industries, LLC.

A l'attention de : Service de la garantie

One Ashley Way

Arcadia, WI 54612

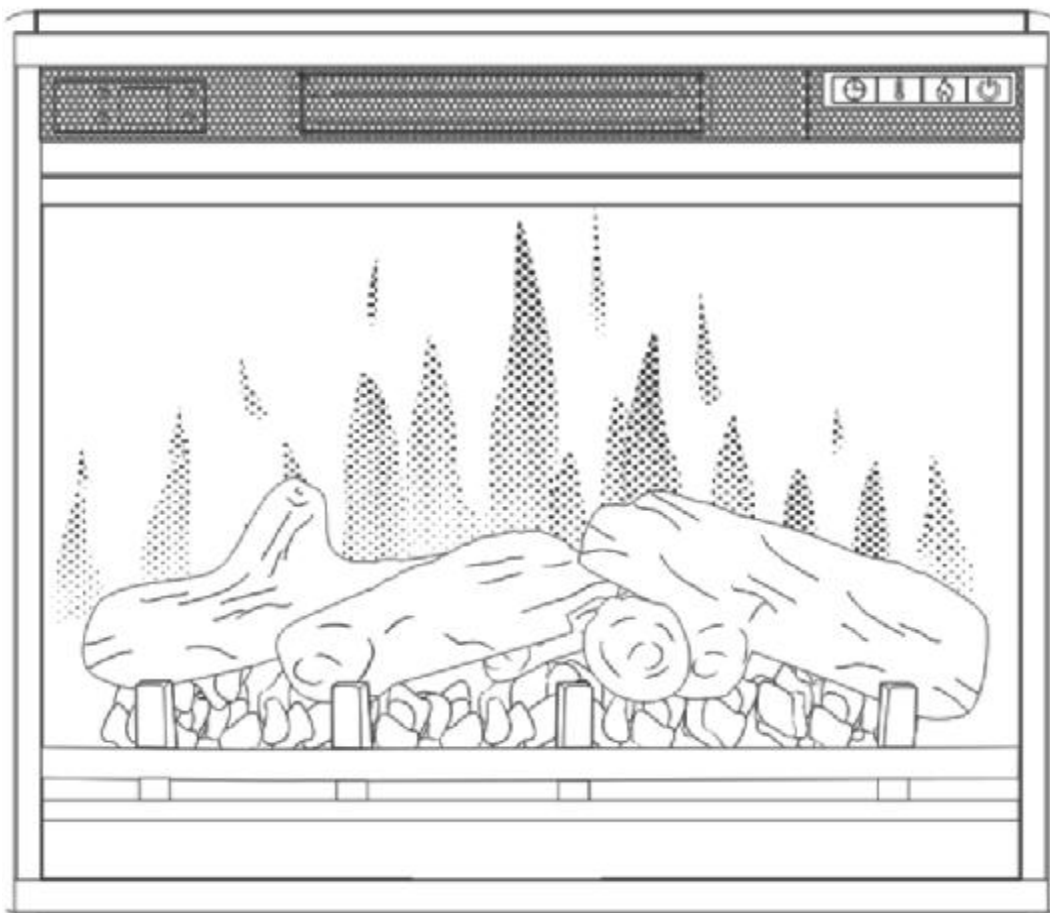
Numero de telephone du service a la clientele: 800-477-1117

© octobre 2013, Ashley Furniture Industries, LLC Tous droits reserve,
Signature Design by Ashley est une marque deposee d' Ashley Furniture Industries, LLC.



Guía del usuario de chimenea

MODELO: W100-101



SALVEESTASINSTRUCCIONES

Tabla De Contenidos

Tabla de contenidos	2
INFORMACIÓN DE SEGURIDAD IMPORTANTE.....	3-4
Preparacion	5
INSTRUCCIONES DE CONEXIÓN A TIERRA	5
PREPARACIÓN DE LOCACION.....	6
Localizando su chimena.....	6
Especificaciones.....	6
DECLARACIÓN DEL FCC.....	7
OPERACIONES Y FUNCIONES.....	8
Usando el control remoto	8
Usando el panel de control	9
Pantalla digital.....	10
CUIDADO Y MANTENIMIENTO.....	11
Diodo emisor de luz.....	11
Limpeaza	11
SCHÉMA DU CIRCUIT.....	12
Accessoire	12
DIRECTIVES EN CAS DE DÉFAILLANCE.....	13
Politiques de garantie et de retour.....	13-14

IMPORTANT SAFETY INFORMATION

POR FAVOR, LEA Y SIGA CUIDADOSAMENTE TODA LA INFORMACIÓN Y LAS INSTRUCCIONES DE ESTA GUÍA DEL USUARIO, INCLUYENDO INFORMACIÓN DE TODA SEGURIDAD, OPERACIÓN Y MANTENIMIENTO.

SI NO SE SIGUE EXACTAMENTE LA INFORMACIÓN EN ESTA GUÍA DEL USUARIO, INCENDIO, CHOQUE ELÉCTRICO, QUEMADURA, PUEDEN PROVOCAR LA MUERTE U OTRAS GRAVES LESIONES Y DAÑOS MATERIALES.

ADVERTENCIA

La chimenea eléctrica está completamente montado de fábrica. Ninguna asamblea es necesaria para comenzar a usar la estufa. No hay manipulables por el usuario dentro de la chimenea. Si la unidad aparece un mal funcionamiento, apagar la unidad y unplug inmediatamente la unidad de la pared. Por favor contacto la alteración de servicio al cliente de la chimenea, anulará su garantía y puede causar la chimenea a ocasionar choque eléctrico, incendio, muerte o graves daños corporales, lesiones o mal funcionamiento.



PRECAUCIÓN
CALIENTE

MIENTRAS ESTÁ EN USO Y DURANTE VARIOS MINUTOS DESPUÉS,

LA UNIDAD DE LA CHIMENEA PUEDE CONSEGUIR CALIENTE INCLUYENDO, PERO SIN LIMITARSE A ELLO, EL CENTRO DE LA PARTE SUPERIOR DE LA CHIMENEA. MANTENGA A LOS NIÑOS ALEJADOS DE LA CHIMENEA EN TODO MOMENTO PARA EVITAR QUEMADURAS, CHOQUE O LESIONES GRAVES O LA MUERTE. Siempre vigile a los niños para asegurarse de que no jueguen con o toque la chimenea. Hacer no coloque cualquier tela, adornos u otros materiales combustibles sobre la salida de la chimenea de la chimenea, o si no obstruir la salida de la chimenea de la chimenea, ya que esto puede causar un incendio y puede provocar lesiones graves o la muerte.

Si usted tiene alguna pregunta con respecto al uso de esta unidad, o encuentra que su chimenea unidad necesita servicio, póngase en contacto con las industrias de muebles ashley en el siguiente número.

1 (866) 436-3393, servicio al cliente

INSTRUCCIONES IMPORTANTES DE SEGURIDAD

Lisez toutes les instructions avant d'utiliser ce foyer.

1. Esta chimenea está caliente cuando esté en uso y durante varios minutos después de su uso. Para evitar quemaduras, no toque las superficies calientes de la chimenea como las áreas calentadas y ventilación de la chimenea, hacer NHOT intento de mover la chimenea tiempo que está conectado en o en operación o por varios minutos después de operación. Si proporciona, utilice las manijas al mover esta chimenea. Mantenga todos los materiales combustibles incluyendo, pero sin limitarse a, muebles, almohadas, ropa de cama, papeles, ropa y cortinas, por lo menos 3 pies (0,9 metros) de la unidad entera de la chimenea.
2. Siempre mantenga a los niños alejados de la chimenea y asegúrese de supervisar a los niños cuando están alrededor de la chimenea.
3. Siempre desconecte la chimenea cuando no esté en uso.
4. Para evitar el riesgo de choque eléctrico, incendio, muerte o lesiones corporales y daños a la propiedad, no opere la chimenea si tiene un cable o enchufe dañado o si la chimenea funciona incorrectamente, se ha caído o dañado de alguna manera. Por favor llame al servicio al cliente.
5. No USE la chimenea exterior como esto puede resultar en choque eléctrico, fuego, muerte o lesiones corporales graves o daños a la propiedad.
6. Esta chimenea no está destinada y no debe utilizarse en baños, lavaderos o en cualquier otro lugar en, alrededor o cerca del agua o que pueden convertirse en mojado. Nunca Ubique chimenea donde puede caer en una bañera o de otra fuente de agua. No seguir esta instrucción puede ocasionar eléctrico choque, incendio y lesiones personales, muerte o daños materiales.
7. Hacer no pase el cordón debajo de la alfombra; No cubra el cable con alfombras, tapetes o similares. Coloque el cable de alimentación lejos del área de tráfico y donde no se tropiece o dañado.
8. Para desconectar la chimenea, apague los controles, luego retire el enchufe del tomacorriente.
9. Conecte solamente en tomacorrientes debidamente conectado a tierra.
10. N'insérez pas ou ne laissez pas de corps étrangers pénétrer dans les ouvertures de ventilation ou d'évacuation, que car cela pourrait causer un choc électrique ou un incendie, ou endommager le foyer.
11. Para evitar un posible incendio, no bloquee las entradas de aire de la chimenea o escape de cualquier manera. No utilice la chimenea sobre superficies blandas, lago una cama, donde puede bloquearse apertura.
12. Una chimenea tiene piezas calientes y arqueadas o chispas. No use en áreas donde gasolina, pintura, u otros líquidos inflamables o gases son utilizados o almacenados.
13. Es un termostato limitador dentro de la chimenea. Cuando la temperatura interna se convierte en igual o sobre el conjunto termostato calefacción nivel o anormal ocurre, el dispositivo de protección termostato cortará la alimentación para evitar la chimenea dañada o riesgo de incendio.
14. Utilice esta chimenea solamente como se indica en este manual. No hacerlo o usando la chimenea de manera que no figuran en este documento puede causar incendio, choque eléctrico, muerte o lesiones corporales graves o daños a la propiedad.
15. Siempre Conecte chimenea directamente a un tomacorriente/tomacorriente. Nunca use una tira de cordón o poder de extensión.

GUARDE ESTAS INSTRUCCIONES

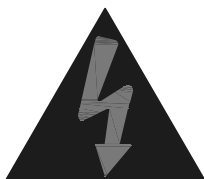
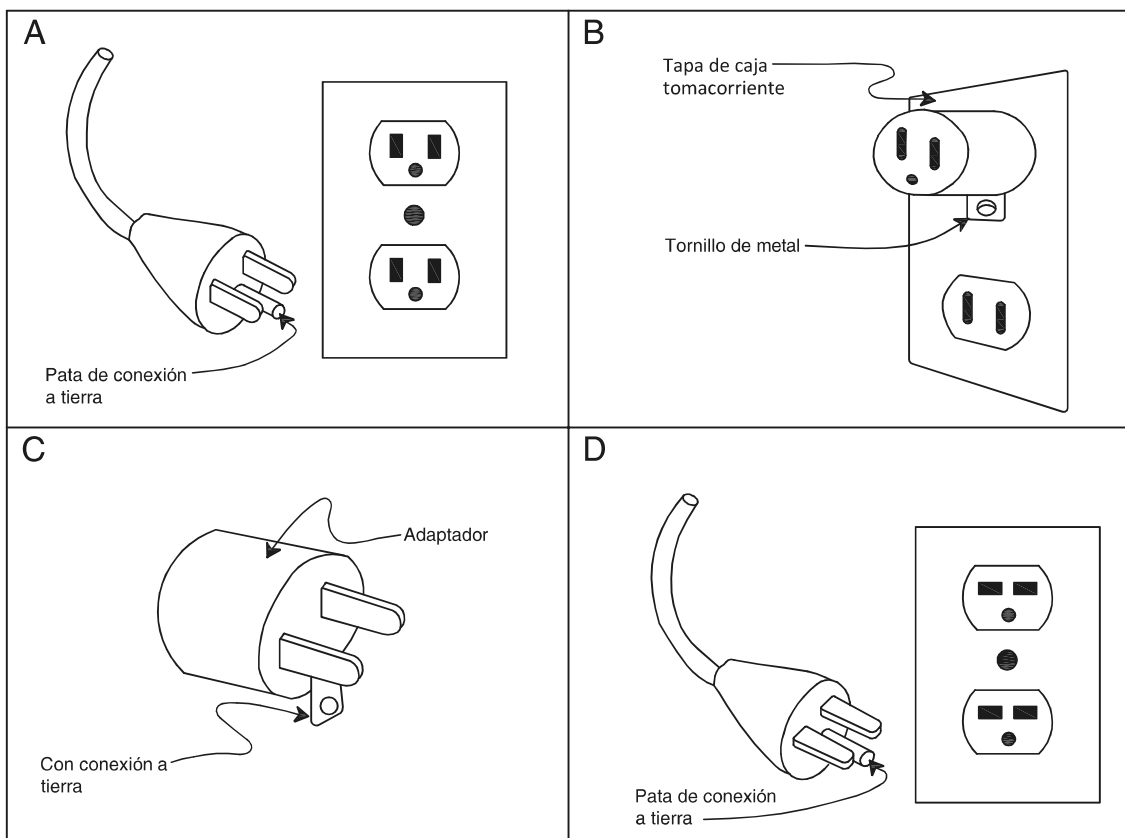
PREPARACIÓN

INSTRUCCIONES DE CONEXIÓN A TIERRA

Este producto debe conectarse a tierra. Este producto está equipado con un cordón que tiene un conductor de conexión a tierra del equipo y un enchufe de conexión a tierra. El enchufe debe enchufarse a un tomacorriente apropiado que esté correctamente instalado y conectado a tierra según todos los códigos y ordenanzas locales.

Esta chimenea es para el uso en circuito de 120 voltios y tiene un enchufe de tierra que se ve como el que se ilustra en la figura 1. Vea la figura 1 para instrucciones de puesta a tierra. Un adaptador como se muestra en C está disponible para conectar enchufes de tres cuchillas de puesta a tierra a receptáculos de dos ranuras. La verde tierra clavija sobresale del adaptador debe conectarse a tierra permanente, como una caja de tomacorriente. El adaptador no debe utilizarse si el receptáculo conectado a tierra de tres ranuras está disponible.

Figura 1



La conexión incorrecta del conductor de conexión a tierra del equipo puede ocasionar un riesgo de choque eléctrico. Verifique con un electricista calificado o persona de servicio si tiene alguna duda en cuanto a si el producto está correctamente conectado a tierra. No modifique el enchufe suministrado con el producto. Si no encaja en la toma de corriente, tener una toma de corriente adecuada instalado por un electricista calificado.

Nota:

Se requiere un 15amp, circuito de 120 voltios. Un circuito dedicado es preferido pero no esencial en todos los casos. Un circuito dedicado si será necesario, después de la instalación, un fusible o el interruptor se dispara sopla sobre una base regular cuando la estufa está funcionando. Dispositivos adicionales en el mismo circuito pueden exceder la corriente nominal del interruptor.

SITIO PPREPARATION

Asegurar que el cable de alimentación no está instalado de manera que lo está pellizcado o contra un borde afilado y asegúrese de que el cable de alimentación está almacenado y asegurado para evitar tropezar o enganches para reducir el riesgo de incendio, choque eléctrico, daños a la propiedad, lesiones graves o la muerte.

Localisation de votre foyer

Lisez et suivez les consignes de sécurité importantes de ce manuel d'utilisation. Le non-respect de cette consigne peut entraîner des blessures corporelles graves, la mort ou des dommages matériels.

AVERTISSEMENT

Si no se mantiene el espacio libre mínimo de 3,8 cm (1,5 in) que se indica, podrían producirse incendios, lesiones corporales, la muerte o daños a bienes.

Se debe dejar un espacio mínimo de 1 pulgada desde la parte posterior del gabinete hasta la pared para permitir la entrada de aire para el calentador (Diagrama 2); de lo contrario, se activará el dispositivo de protección contra sobrecalentamiento, se mostrará el código E1 y el calentador dejará de funcionar.

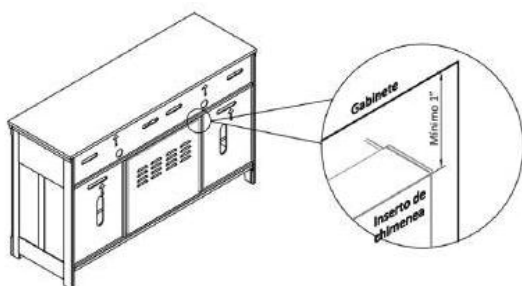


Diagrama 1

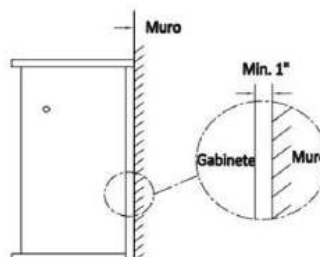



Diagrama 2

Spécifications

Dimensions de l'insert du foyer (W*D*H)	603*220*510mm
Poids brut	15.8KGs/34.8LBS
Tension	120V
Fréquence	60Hz
Watts/Ampères	1500W
Puissance de chauffage	1350-1575W
BTU/h	4608-5386 BTU/h

Especificación

DECLARACIÓN DE LA FCC

 Nota: este equipo ha sido probado y cumple con los límites para un dispositivo digital clase B, conforme al apartado 15 de las Reglas FCC. Estos límites están diseñados para proporcionar una protección razonable contra las interferencias dañinas en una instalación residencial. Este equipo genera, utiliza y puede irradiar energía de radiofrecuencia y, si no se instala y utiliza de acuerdo con las instrucciones, puede causar interferencias perjudiciales a las comunicaciones por radio. Sin embargo, no hay ninguna garantía de que no habrá interferencias en una instalación determinada. Si este equipo causa interferencia dañina a la radio o la recepción de televisión, que puede determinarse apagando y encendiendo el equipo, se recomienda al usuario que intente corregir la interferencia por uno o más de las siguientes medidas:

1. Reorientar o reubicar la antena receptora.
2. Aumentar la separación entre el equipo y el receptor.
3. Conecte el equipo a un tomacorriente de un circuito distinto al que está conectado el receptor.
4. Consulte al distribuidor o un técnico experimentado en radio/TV para obtener ayuda.

Este dispositivo cumple con la parte 15 de las Reglas FCC. La operación está sujeta a las siguientes condiciones.

1. este dispositivo no puede causar interferencias dañinas.
2. Este dispositivo debe aceptar cualquier interferencia recibida, incluyendo interferencia que pueda causar un funcionamiento no deseado.

Modificaciones no aprobadas por la parte responsable del cumplimiento podrían anular la autoridad del usuario para operar el equipo.

LAS OPERACIONES Y FUNCIONES

Usando el Control remoto

Potencia

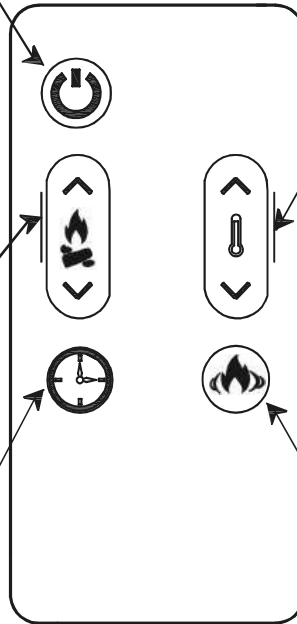
L'appareil deviendra ACTIF et INACTIF. Lorsqu'il devient INACTIF, le ventilateur continue de fonctionner après avoir éteint la fonction de chauffage pour refroidir et protéger l'appareil d'une surchauffe pouvant durer jusqu'à 3 minutes. Lorsque l'appareil redevient ACTIF, le système rappelle le dernier réglage de chauffage utilisé. Entreposer la flamme et le réglage du chauffage.

Ajustar El Brillo

Esto le permite subir o bajar el nivel de brillo de la llama. Nota: cuando la unidad está apagada los registros totalmente morir durante 3 segundos.

Contador De Tiempo

Esto le permite ajustar la chimenea para cerrar automáticamente apagado después de la cantidad de tiempo en la pantalla, el tiempo puede ajustarse desde 10 minutos a 9 horas, la pantalla muestra, 10, 20, 30, 40, 50, 1 H, 3 H, 4 H, 5H, 6H, 7H, 8H, 9H. No opere la chimenea mientras desatendida.



Ajustar La Temperatura

Esto permite programar el termostato. La chimenea puede utilizarse sin el calentador si así lo desea. Simplemente el ciclo a través de la función hasta que no se despliegue temperatura. Presione y sostenga la flecha hacia abajo durante cinco segundos para activar la lectura de la temperatura * F (Fahrenheit) y * C (Celsius) y la espalda. Debe estar en modo calefacción.

Brasas Dinámicas

Esta función hará que las brasas del fuego automáticamente resplandor atenuador y creando un efecto más realista de fuego brillante.

Usando el Panel de Control

Temporizador/ Dynamic Brasas

Esto le permitirá establecer el apagado automático en la chimenea. Brasas dinámicas trabajará en la bodega de la unidad 5 segundos cuando pitidos Presione nuevamente. Dejar brasas Pulse el botón tiempo luego durante 5 segundos.

Ajustar La Temperatura

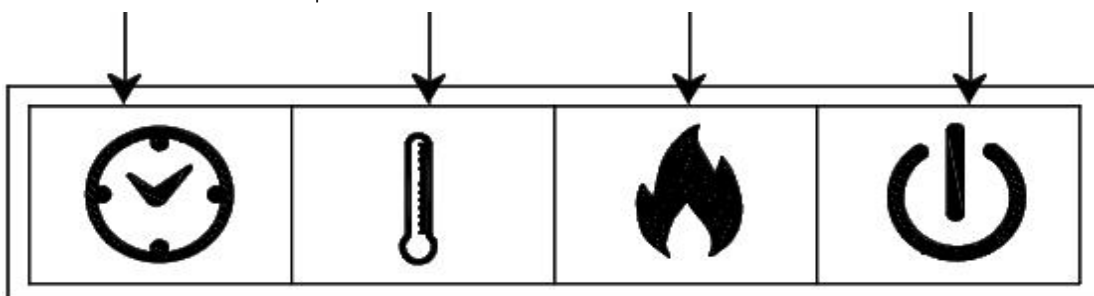
Esto permite la programación del termostato. La chimenea puede utilizarse sin el calentador si así lo desea. Simplemente el ciclo a través de la función hasta que no se despliegue temperatura. Presione y mantenga presionado el botón durante cinco segundos para activar la lectura de la temperatura °F (Fahrenheit) y °C (Celsius) y la espalda.

Ajustar El Brillo

Esta función se encenderá a través de los cinco niveles diferentes de luminosidad de la llama.

Puissance

L'appareil deviendra ACTIF et INACTIF. Lorsque l'appareil est remis en mode ACTIF, le système charge les données d'usine par défaut.



El Control remoto de chimenea

El control remoto combina todas las funciones de los controles del panel frontal para la flexibilidad y conveniencia cuando cambie la configuración de deseo.

El primero es delgado para hacer con el control remoto para quitar la lámina de plástico aislante la batería. (La batería es suministrada con el control remoto). Baterías de reemplazo pueden comprarse en cualquier tienda de electrónica. El número de pieza de la batería es CR2025. Por favor, siga la secuencia siguiente para reemplazar al bateador.

1. extraer el soporte de la batería y ubique el soporte de la batería (Figura 1)

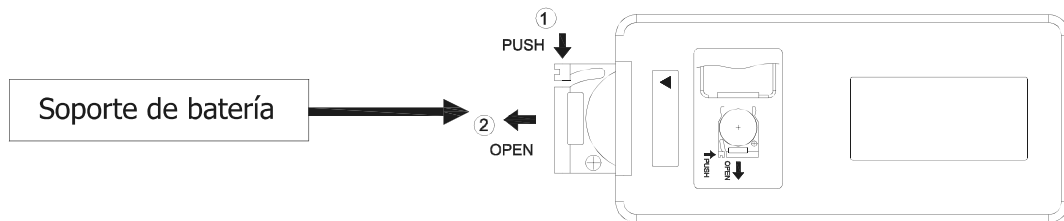


Figura 1

2. El número de baterías es CR2025. La batería tiene dos lados, uno con una función de botón y la otra es plana. (Figura 2)

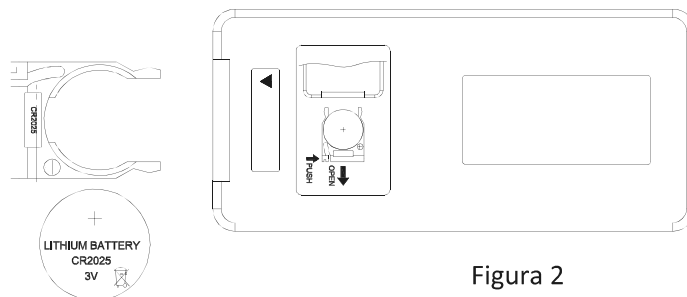


Figura 2

3. Inserte la batería con el lado del botón en el soporte de la batería, asegurándose de que la batería esté firmemente asentado. (Figura 3)

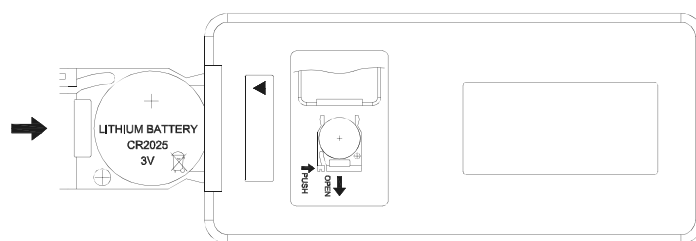


Figura3

4. Presione el soporte de pilas en el mando a distancia, asegurándose de que encaje en su posición. (Figura 4)

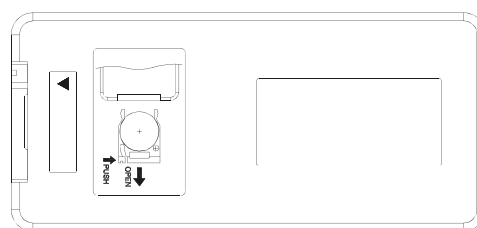


Figura 4

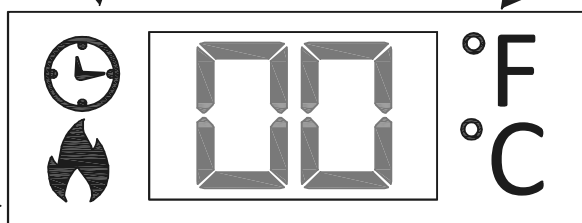
Pantalla digital

Función De Temporizador

Este icono se iluminará con una luz azul cuando se utiliza la función temporizada Shut-OFF. Una vez se visualizará en la pantalla principal que van desde 10 minutos a 9 horas, la pantalla muestra 10, 20, 30, 40, 50, 1H, 2H, 3H, 4H, 5H, 6H, 7H, 8H, 9H, OFF.

Llama

Cuando se ajusta el brillo de las llamas este icono se iluminará con una luz azul. El ajuste se mostrará en la pantalla principal con L1 ser el ajuste más bajo y L5 siendo el más brillante.



Termostato

°F y °C se mostrará junto con la temperatura en la pantalla principal. La chimenea b se pueden utilizar sin el calentador si se desea simplemente ciclo a través de la función hasta que no se despliegue temperatura.

⚠ NOTA

Al apagar los brasas del registro conjunto llevará 3 segundos para salir completamente. Esta es una característica diseñada para representar los brasas del fuego lentamente desvaneciéndose.

⚠ NOTA

Bien que le foyer ait été éteint, le ventilateur peut encore fonctionner pour éviter la surchauffe.

CUIDADO Y MANTENIMIENTO

Diodo Electro Luminoso

Esta chimenea está equipada con bombillas LED (diodo emisor de luz) en lugar de las bombillas convencionales. Estos generan los mismos niveles de luz como bulbos del Convenio pero utilizan una fracción de la energía. Estas bombillas LED son libres de mantenimiento y no deben requerir reemplazo durante la vida útil del producto.

Limpieza



PRECAUCIÓN
CALIENTE

MIENTRAS ESTÁ EN USO Y DURANTE VARIOS MINUTOS DESPUÉS DE SU USO, LA UNIDAD DE LA CHIMENEA PUEDE CALENTARSE INCLUYENDO, PERO SIN LIMITARSE A, EL CENTRO DE LA PARTE SUPERIOR DE LA CHIMENEA. Tenga cuidado antes de intentar cualquier mantenimiento o limpieza para reducir el riesgo de incendio, choque eléctrico o la muerte.



ADVERTENCIA

Quando transporte o almacene el aparato y el cable, asegúrese de que la unidad esté desenchufada y ha tenido tiempo para enfriarse. La chimenea y el cable deben ser guardados en un lugar seco, libre de polvo o vibraciones excesivas y almacenadas para evitar daños.

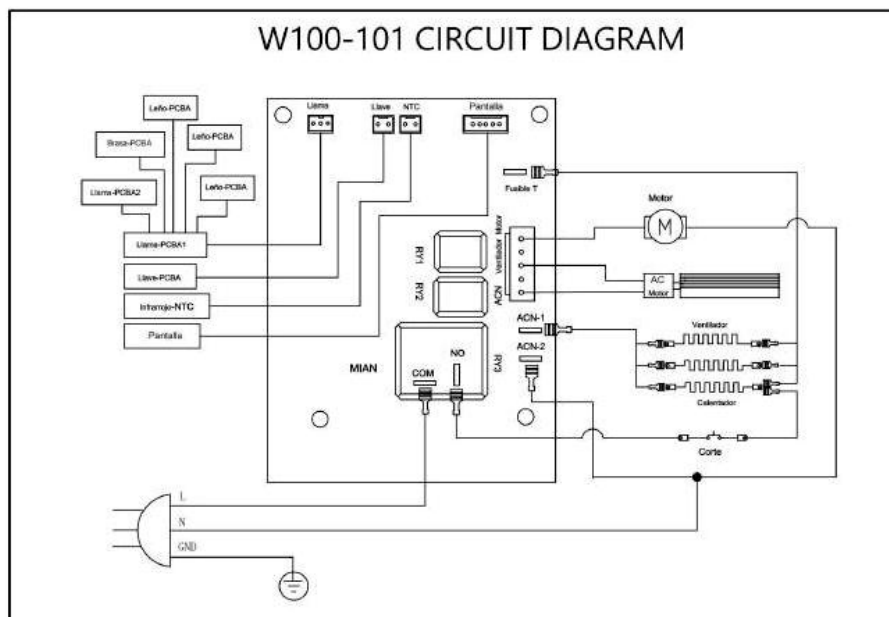
Antes de limpiar la chimenea, asegúrese de que ha sido apagado, desenchufado y haya tenido tiempo para enfriarse para evitar el riesgo de quemaduras, incendio, choque, lesiones graves o la muerte. Polvo de la unidad con un paño o limpio y seco. Use agua tibia y un paño limpio para limpiar todas las superficies pintadas. No use limpiadores abrasivos.

Utilizar un estándar inflamable limpiavidrios para el panel de vidrio de la unidad,

EN NINGÚN EVENTO VOLUNTAD ASHLEY FURNITURE INDUSTRIES, LLC. O SUS SUBSIDIARIES, AFILIADOS, DIRECTORES, FUNCIONARIOS O AGENTES (COLECTIVAMENTE "AFI"), SERÁ RESPONSABLE ANTE EL COMPRADOR O TERCEROS, YA SEA EN CONTRATO, AGRAVIO, O CUALQUIER OTRA BASE, POR CUALQUIER PÉRDIDA INDIRECTA, ESPECIAL PUNITIVA, EJEMPLAR, CONSECUENTE O INCIDENTAL, COSTOS O DAÑOS QUE SURJAN DE O EN RELACIÓN CON LA VENTA, MANTENIMIENTO, USO O INHABILIDAD DE UTILIZAR LA CHIMENEA AUNQUE AFI O SUS DIRECTORES, FUNCIONARIOS O AGENTES HAN SIDO INFORMADOS DE LA POSIBILIDAD DE DICHAS PÉRDIDAS, COSTOS O DAÑOS, O SI TALES PÉRDIDAS, COSTOS O DAÑOS SON PREVISIBLES. AFI EN NINGÚN CASO SERÁ RESPONSABLE POR LAS PÉRDIDAS DIRECTAS, COSTOS O DAÑOS QUE SUPEREN EL PRECIO DE COMPRA DEL PRODUCTO.

ALGUNAS JURISDICIONES NO PERMITEN LA EXCLUSIÓN O LIMITACIÓN DE DAÑOS INCIDENTALES O CONSECUENTES, ASÍ QUE LA LIMITACIÓN O EXCLUSIÓN ARRIBA PUEDE NO APLICARSE AL COMPRADOR.

SCHÉMA



⚠️ AVERTISSEMENT

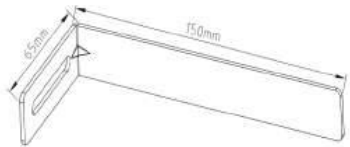
Si le foyer semble ne pas fonctionner correctement, éteignez l'appareil et débranchez immédiatement le foyer du mur. Veuillez communiquer avec le magasin où vous l'avez acheté avec le reçu d'achat original ou composez le 1 (866) 436-3393 pour toute question ou préoccupation concernant le service. **N'essayez pas de réparer le foyer électrique.**

MATÉRIEL

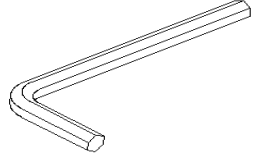
Le foyer comprend des supports pour fixer l'insert à l'intérieur du meuble. Pour plus de détails sur l'installation, veuillez consulter les instructions de montage des meubles.

Matériel inclus : (2) supports réglables, (1) clé Allen (M4), (2) vis Phillips et (2) boulons avec (1) rondelle plate 1/4", (1) rondelle frein 1/4".

SUPPORTS RÉGLABLES



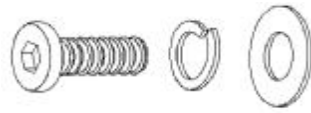
CLÉ ALLEN (M4)



VIS PHILLIPS



BOULON AVEC RONDELLE-FREIN ET RONDELLE PLATE



GUÍA PARA LA SOLUCIÓN PROBLEMA

No hay manipulables por el usuario dentro de la chimenea. Si la unidad aparece un mal funcionamiento, apagar la unidad y desconecte inmediatamente el aparato de la pared. Póngase en contacto con la tienda que esto se compra con el recibo de compra original o llame al 1 (866) 436-3393 para servicios relacionados con preguntas o inquietudes. Alteración de la chimenea, anulará su garantía y puede causar la chimenea funcionamiento dando lugar a descargas eléctricas, incendios, muerte o lesiones corporales graves o daños a la propiedad.

PROBLEMA	SOLUCIÓN
1: Ningún poder o función	1.1: Compruebe que la unidad está enchufada en un tomacorriente estándar de 120V. 1.2: Pulsa el botón de encendido del panel de control.
2: Tiene efecto de la llama, pero chimenea no sopla aire caliente	2.1: Confirmar la temperatura excede la temperatura. 2.2: Trate de encender/apagar botón chimenea varias veces para asegurarse de que está en la posición "ON".
3: Chimenea no funciona, pero poder y chimenea los interruptores están en la posición "ON" y termostato está configurado en "99".	3.1: Ponga todos los interruptores en la posición "OFF" y desconecte la unidad del tomacorriente durante 5-10 minutos. Después de 5-10 minutos enchufe la unidad vuelve al enchufe de la pared y operan como normal.
4: La unidad de visualización del panel de control muestra "FF" y el indicador de la función es rápido intermitente indicando que está en modo de alarma.	4.1: Desenchufe la unidad del tomacorriente durante 5-10 minutos. Después de 5-10 minutos enchufe la unidad vuelve al enchufe de la pared y operan como normal.
5: Solo el icono de llama está presente y no muestra los niveles de llama (es decir: L1, L2...) cuando se presiona el botón de llama.	5.1: Presione y mantenga presionado el botón de llama por 5 segundos. Una vez que escuche un pitido, los niveles de la llama deben aparecer.

Garantía & Políticas

Por favor, consulte la tarjeta de garantía incluida. Asegúrese de mantener esta tarjeta de garantía y manual para un posible uso futuro.

Fabricado por Source Pro Industries Co., Ltd. para Ashley Furniture Industries, LLC.



Información de garantía de la chimenea eléctrica

GARANTÍAS LIMITADAS

Las siguientes Garantías limitadas se otorgan únicamente al comprador original, sujeto a todos los términos y condiciones siguientes. Estas Garantías limitadas son intransferibles:

Ashley Furniture Industries, Inc. (el "Garante"), sujeto a todas las limitaciones y exclusiones descritas en estas Garantías limitadas, garantiza los siguientes productos y partes contra defectos de fabricación del material por el tiempo establecido al lado de ese producto o parte en el cuadro que aparece a continuación.

Producto o parte	Duración de las garantías limitadas	Cobertura de la mano de obra
Chimenea La chimenea se refiere a los componentes eléctricos, circuitos principales, elemento calentador, soplador, control remoto, metal, botones, termostato, sensores, leños moldeados (o el equivalente) y vidrio.	1 año de Garantía limitada a partir de la fecha de compra	1 año de Garantía a partir de la fecha de compra

LIMITACIONES Y EXCEPCIONES

Las siguientes limitaciones y excepciones se aplican a las Garantías limitadas:

Resarcimiento

Conforme a estas Garantías limitadas, para todos sus productos, la única responsabilidad del Garante está limitada a la reparación, o a su criterio, al reemplazo del producto correspondiente o de las partes en no conformidad con estas Garantías limitadas. NO SE HARÁN REEMBOLSOS. Si durante el periodo de garantía, en el momento de la reparación o reemplazo de un producto, los materiales idénticos no están disponibles, el Garante se reserva el derecho de sustituir los materiales de igual o mejor calidad.

Además, durante el periodo de cualquier Cobertura por mano de obra aplicable, el Garante pagará, dentro de un año a partir de la fecha de compra, las tasas de mano de obra razonables para reparar o reemplazar las partes defectuosas (a elección única del Garante) y los costos de envío desde el vendedor hacia y desde el Garante, sin costo para el comprador original. Una vez expirada la garantía de Cobertura por mano de obra o para todos los productos o partes no cubiertas por dicha Cobertura, el comprador original será responsable por el costo de la mano de obra, la empaquetadura así como por todos los costos de envío y de transporte. Los costos asociados con el transporte de la chimenea o de las partes desde su hogar hasta el vendedor o desde el vendedor hasta su hogar están excluidos de todas las Garantías limitadas.

Todo producto reparado o reemplazado conforme a estas Garantías limitadas estará cubierto por las Garantías limitadas solamente por el tiempo restante del periodo de garantía del producto original.

Todos los productos

Estas Garantías limitadas no se aplican (i) por uso para arriendo, negocio, comercial, institucional u otro uso no residencial, (ii) a mercancía que fue, en algún momento, usada como artículo de exhibición o modelo de visualización, (iii) a mercancía alguna comprada "tal cual" o de segunda mano, (iv) a mercancía alguna comprada venta urgente por parte de un liquidador ni (v) a mercancía obtenida de un minorista. Todas las garantías, ya sea expresas o implícitas, cubren solamente el uso doméstico normal. No se aplica ninguna garantía expresa o implícita a ninguna condición resultante del mal uso, daño de entrega o transporte, ni de ninguna condición resultante de un mantenimiento incorrecto o inadecuado, limpieza o cuidado. Estas Garantías limitadas quedan anuladas o no tienen validez si la chimenea ha sido transportada desde el punto de entrega original al consumidor.

Tratamientos químicos

Estas Garantías limitadas no cubren daños ni defectos causados por el uso de tratamientos químicos o revestimientos protectores en el acabado, los cuales hayan sido realizados por el vendedor o por el comprador original y, todo tratamiento químico o revestimiento protector, anula todas las garantías del Garante.

Modificaciones a los productos

Estas Garantías limitadas no se aplican a los productos que han sido alterados por una persona, comerciante o compañía sin la expresa autorización por escrito del Garante.

Garantías implícitas

LAS GARANTÍAS IMPLÍCITAS, INCLUIDAS LAS GARANTÍAS DE COMERCIALIZACIÓN O IDONEIDAD PARA UN PROPÓSITO EN PARTICULAR EN LA VENTA DE ESTA CHIMENEA Y DE SUS PARTES, BAJO LA LEY ESTATAL, TIENEN UN PERIODO DE GARANTÍA DE DURACIÓN LIMITADA; NO SE APLICARÁN GARANTÍAS DESPUÉS DE ESE PERIODO. ALGUNOS ESTADOS NO PERMITEN LIMITACIONES CON RESPECTO A LA DURACIÓN DE UNA GARANTÍA IMPLÍCITA, DE MODO QUE LAS LIMITACIONES ANTERIORES PUEDEN NO APLICARSE EN SU CASO.

EXENCIÓN DE RESPONSABILIDAD

NO SE HA HECHO NI SE HARÁ NINGUNA OTRA GARANTÍA EXPRESA EN REPRESENTACIÓN DEL GARANTE CON RESPECTO A LA CHIMENEA Y SUS PARTES NI LA OPERACIÓN, REPARACIÓN O REEMPLAZO DE LA CHIMENEA Y DE SUS PARTES. ADICIONALMENTE, NINGÚN REPRESENTANTE DEL GARANTE O SUS DISTRIBUIDORES O VENDEDORES ESTÁN AUTORIZADOS A HACER CAMBIOS NI MODIFICACIONES A ESTAS GARANTÍAS LIMITADAS.

ALGUNOS VENDEDORES OFRECEN GARANTÍAS EXTENDIDAS O ADICIONALES, ENTRE OTRAS LAS GARANTÍAS ADICIONALES O EXTENDIDAS DE TELA, YA SEA POR PARTE DEL VENDEDOR O A TRAVÉS DE UN TERCERO. EL GARANTE NO SERÁ RESPONSABLE DE NINGUNA GARANTÍA EXTENDIDA O ADICIONAL OFRECIDA POR UN VENDEDOR O A TRAVÉS DE UN TERCERO BAJO NINGUNA CIRCUNSTANCIA.

EN NINGÚN CASO, EL GARANTE SERÁ RESPONSABLE POR DAÑO CONSECUCIONAL O INCIDENTAL, COMO PÉRDIDA DE USO, INCONVENIENCIA, PÉRDIDA O DAÑO A LA PROPIEDAD PERSONAL, YA SEA INDIRECTO O DIRECTO, Y YA SEA QUE SURJA DE FORMA CONTRACTUAL O EXTRA CONTRACTUAL, INCLUSO SI HUBIERA RAZÓN PARA CONOCER DESDE ANTES QUE DICHOS DAÑOS ERAN POSIBLES. ALGUNOS ESTADOS NO PERMITEN LA EXCLUSIÓN O LIMITACIÓN DE DAÑOS RESULTANTES O ACCIDENTALES, DE MODO QUE LA LIMITACIÓN O EXCLUSIÓN ANTERIORES PUEDEN NO APLICARSE A SU CASO.

EN NINGÚN CASO, LA RESPONSABILIDAD DEL GARANTE EXCEDERÁ EL PRECIO DE COMPRA DEL PRODUCTO O SU REEMPLAZO.

Esta garantía le otorga derechos legales y también puede contar con otros derechos que varían de estado a estado.

ADVERTENCIA

Cuando esté en uso y por varios minutos luego del uso, la chimenea puede calentarse. Mantenga a los niños alejados de la chimenea en todo momento para evitar quemaduras, choques, daños severos o la muerte. Supervise siempre a los niños para asegurarse de que no jueguen ni toquen la chimenea. Consulte la Guía del usuario de la chimenea para obtener información adicional importante sobre las advertencias e instrucciones.

PROCEDIMIENTO DE RECLAMOS

Para obtener servicios de garantía, el comprador original debe cumplir los requisitos de este Procedimiento de reclamo.

Contacte al vendedor autorizado del Signature Design by Ashley a quien le compró la chimenea para obtener el servicio de garantía. Todos los reclamos deben incluir la boleta de venta original, el número de serie del producto y se deben presentar dentro del periodo de garantía aplicable. El Garante se reserva el derecho de solicitar la devolución de las partes defectuosas. Usted debe coordinar con el vendedor los detalles del transporte de la chimenea o de las partes desde su hogar hasta el vendedor o desde el vendedor hasta su hogar. Si el vendedor al que le compró la chimenea ha cerrado, y usted necesita servicio, contacte por escrito a Ashley o por teléfono a nuestro Servicio al Cliente.

Información sobre la Garantía y los vendedores de la marca Signature Design by Ashley

Ashley Furniture Industries, LLC
Attn: Warranty Department
One Ashley Way
Arcadia, WI 54612
Numero de telefono del servicio al cliente: 800-477-1117

© Octubre 2013, Ashley Furniture Industries, LLC.

Todos los derechos reservados.
Signature Design by Ashley es una marca registrada de Ashley Furniture Industries, LLC.