
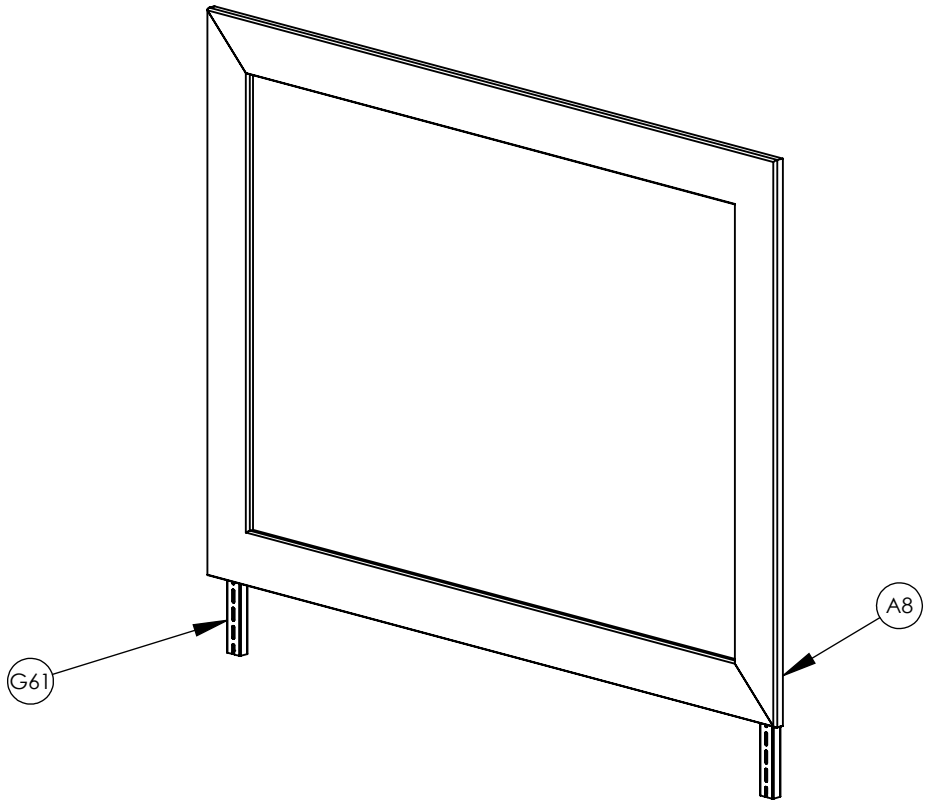
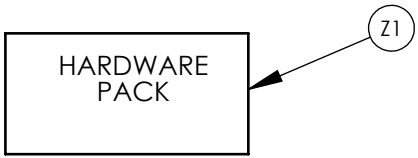
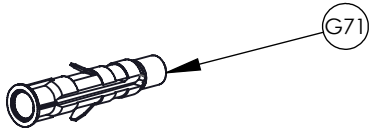
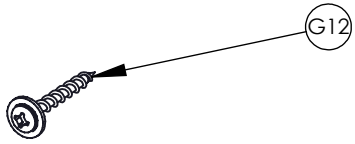



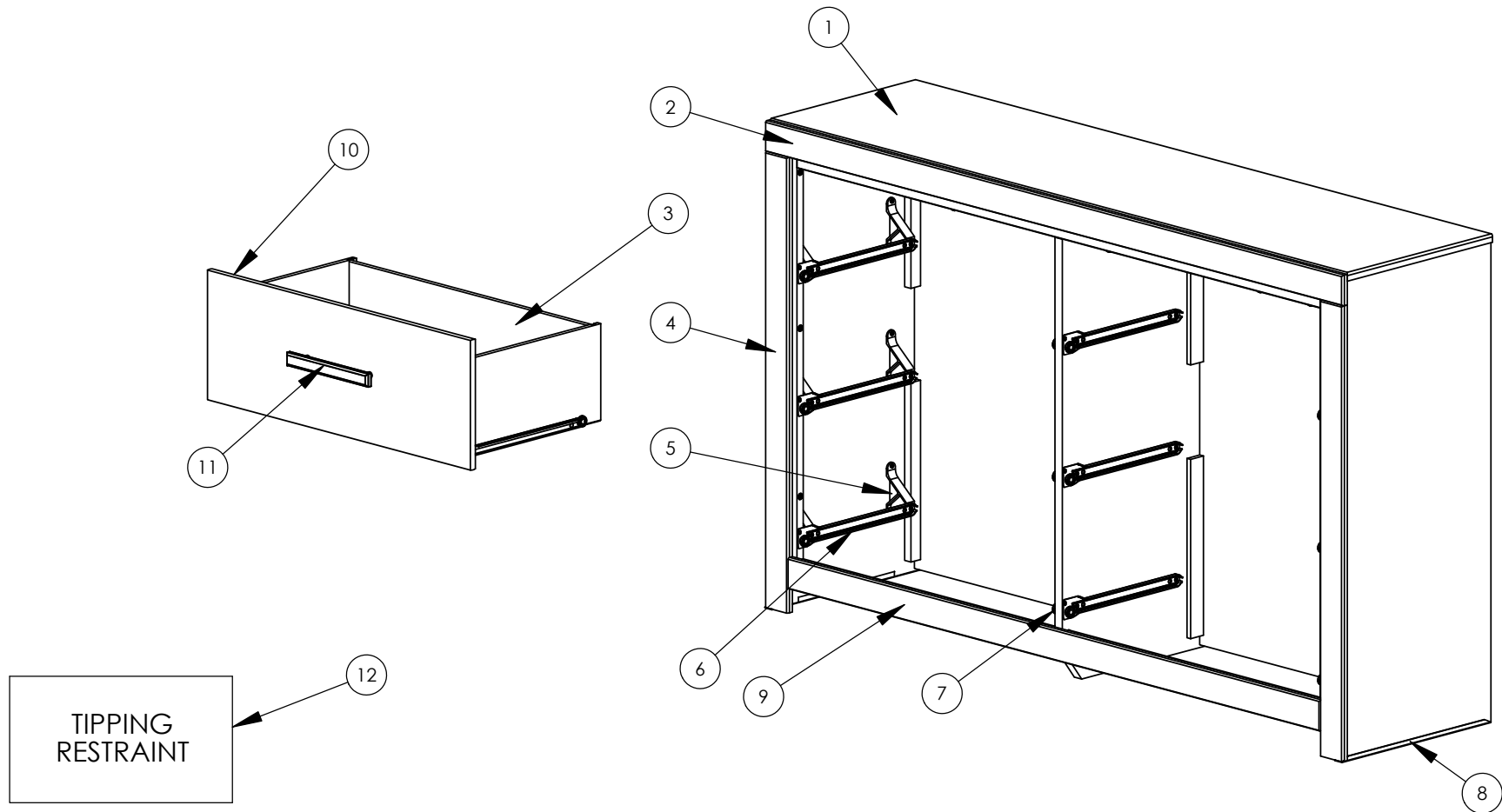
Item#	Qty	Description	MATERIAL
A8	4	(A8) 8 X 5/8 PH SCREW	METAL
G12	4	(G12) 8 X 1 1/4 WH SCREW	METAL
G61	2	(G61) METAL MIRROR BRACKET	METAL
G71	4	(G71) PLASTIC DRYWALL ANCHOR	PLASTIC
Z1	1	(Z1) HARDWARE PACK	METAL,PLASTIC

Dwg#: 35327			
Scale: 1:10		TOLERANCES ARE: METRIC:..... +.5 / -.5mm DECIMAL:..... 0 / -.005" FRACTIONAL:..... +0 / -1/32" (UNLESS OTHERWISE SPECIFIED)	
Date: 10/16/2019		Desc: Mirror CS	
Rev.	Description	Date	Cad/Eng



Item#	Qty	Description	MATERIAL
1	1	TOP	WOOD
2	1	MOULDING ASSEMBLY	WOOD
3	6	DRAWER ASSEMBLY	WOOD, METAL
4	2	PILASTER	WOOD
5	12	GLIDE SPACER	PLASTIC
6	6	LEFT CABINET GLIDE	METAL, PLASTIC
7	6	RIGHT CABINET GLIDE	METAL, PLASTIC
8	2	CHANNEL MOULDING	PLASTIC
9	1	BASESTRIP ASSEMBLY	WOOD
10	12	BLACK FELT PAD	FABRIC
11	6	HANDLE	METAL
12	1	TIPPING RESTRAINT	PLASTIC

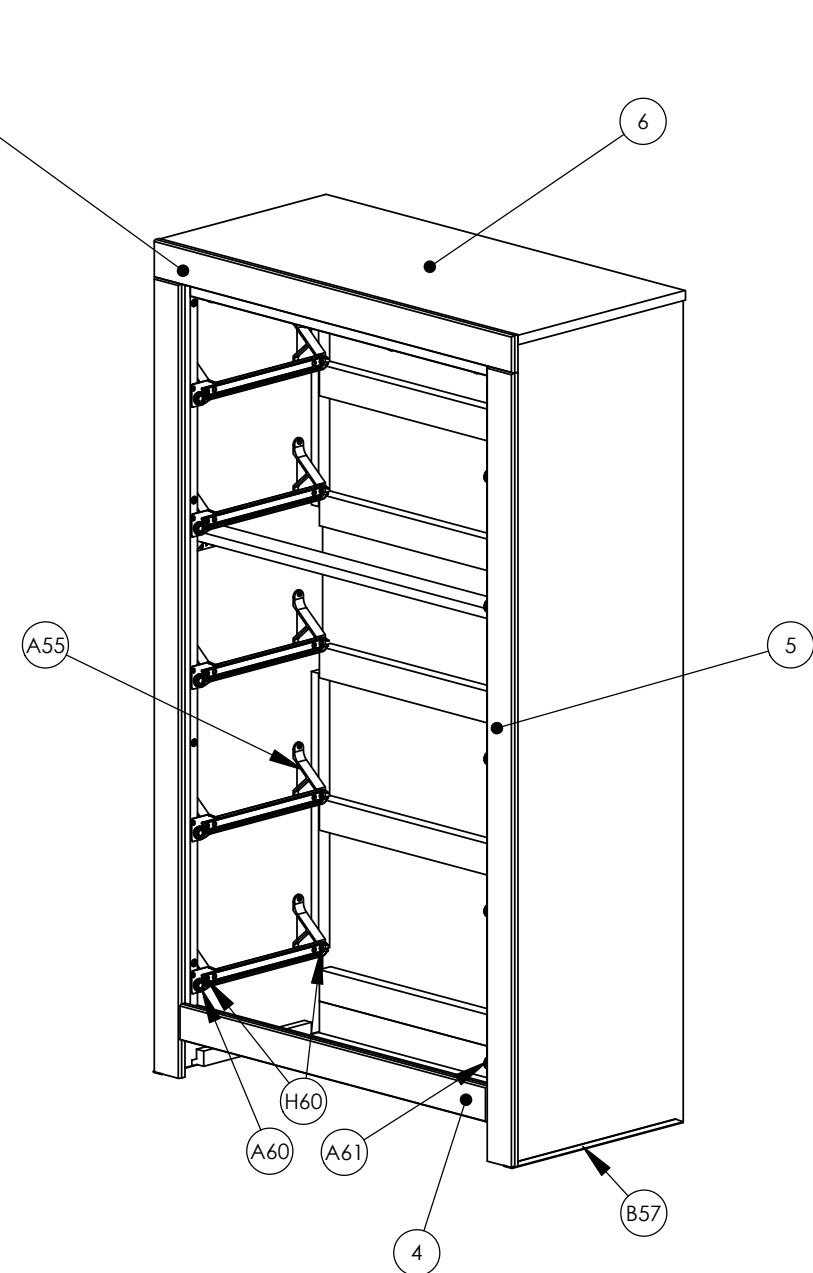
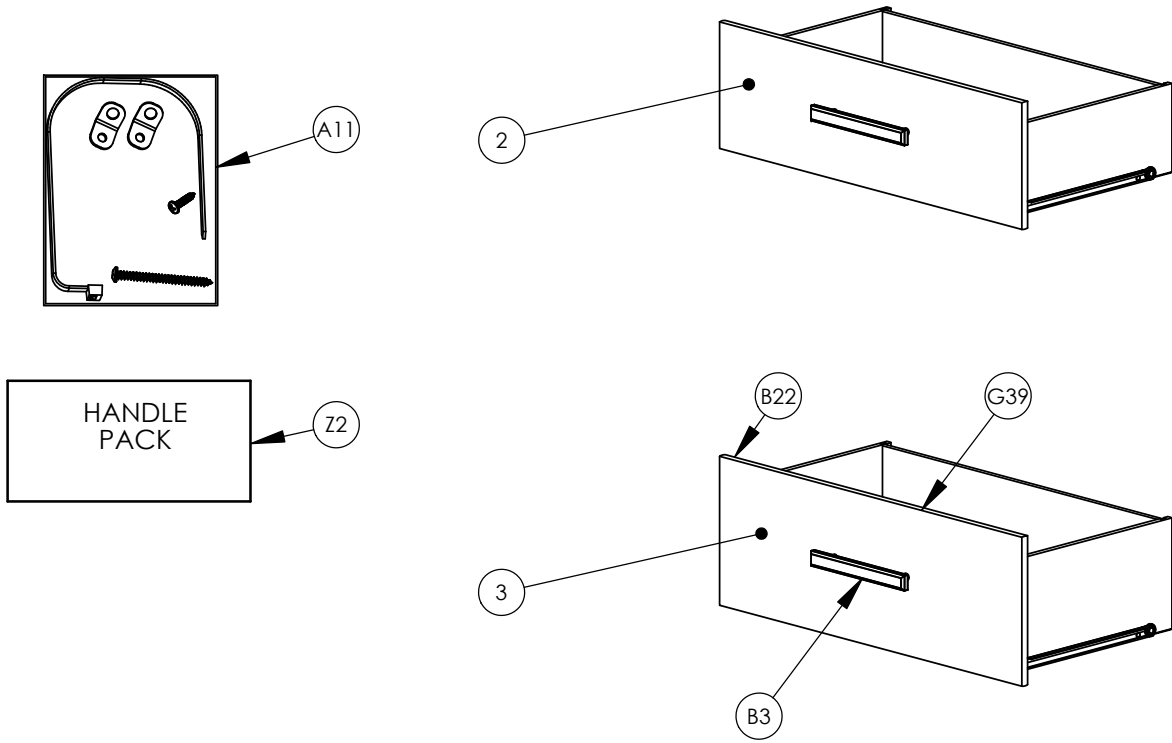
Dwg#: <b>35853</b>			
Scale: <b>1:12</b>		TOLERANCES ARE: METRIC:.....+.5 / -.5mm DECIMAL:.....0 / -.005" FRACTIONAL:.....+0 / -1/32" (UNLESS OTHERWISE SPECIFIED)	
Date: <b>8/24/2023</b>			
Desc: <b>Dresser CS</b>			
Rev.	Description	Date	Cad/Eng




Item#	Qty	Description	MATERIAL
1	1	MOULDING ASSEMBLY	WOOD
2	2	TOP DRAWER ASSEMBLY	WOOD/METAL
3	3	BOTTOM DRAWER ASSEMBLY	WOOD/METAL
4	1	BASESTRIP ASSEMBLY	WOOD
5	2	PILASTER	WOOD
6	1	TOP	WOOD
A11	1	(A11) TIPPING RESTRAINT	METAL/PLASTIC
A55	20	(A55) 52MM AUTO GLIDE SPACER	PLASTIC/METAL
A60	5	(A60) LF CAB MEMBER 300MM	METAL/PLASTIC
A61	5	(A61) RT CAB MEMBER 300MM	METAL/PLASTIC
B22	10	(B22) WHITE FELT PAD	FABRIC
B3	5	(B3) PLASTIC HANDLE	PLASTIC
B57	2	(B57) CHANNEL MOULDING 384MM	PLASTIC
G39	10	(G39) 8-32 X 1 TH SCREW	METAL
H60	20	(H60) 10MM EURO SCREW	METAL
Z2	1	(Z2) HANDLE PACK	PLASTIC/METAL

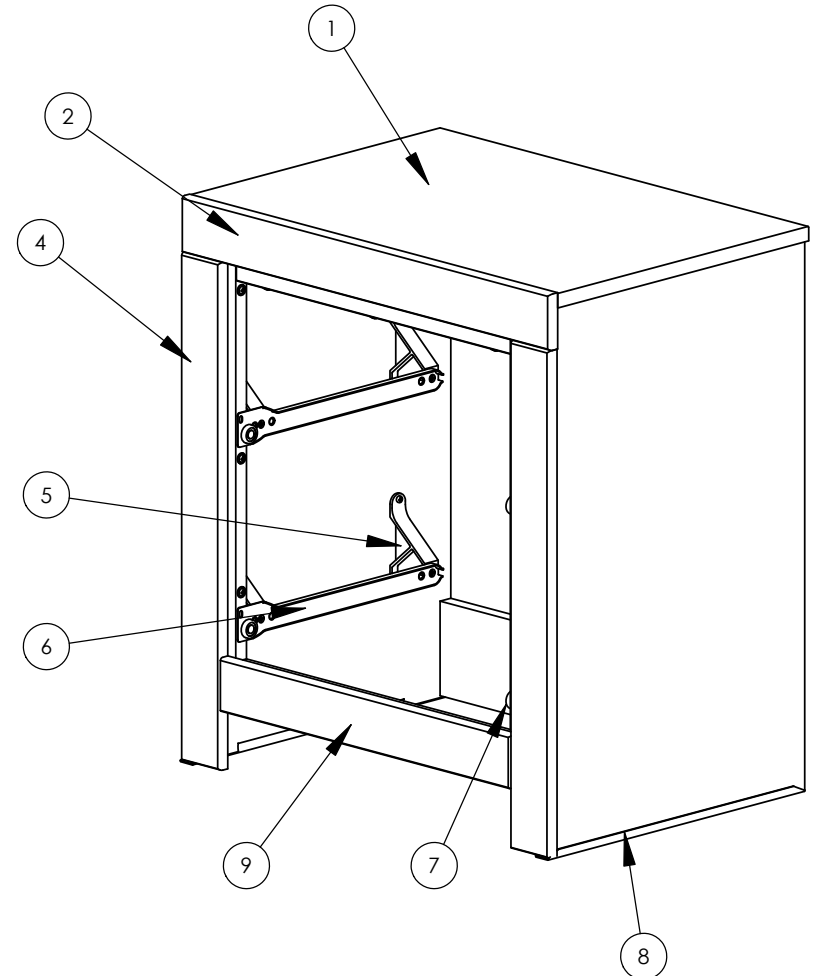
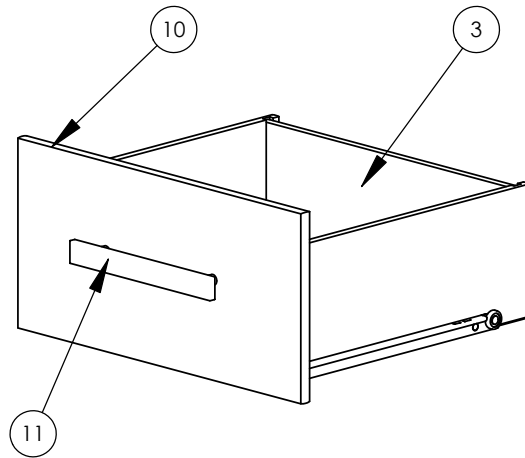
A

Dwg#: <b>35854</b>			
Scale: <b>1:12</b>	TOLERANCES ARE: METRIC: +.5 / -.5mm DECIMAL: 0 / -.005" FRACTIONAL: +0 / -1/32" (UNLESS OTHERWISE SPECIFIED)		
Date: <b>7/5/2023</b>	Desc: <b>Chest CS</b>		
Rev.	Description	Date	Cad/Eng
A	TOP WAS TOP ASSY	1/16/2024	DW



Item#	Qty	Description	MATERIAL
1	1	TOP ASSEMBLY	WOOD
2	1	MOULDING ASSEMBLY	WOOD
3	2	DRAWER ASSEMBLY	WOOD, METAL
4	2	PILASTER	WOOD
5	8	GLIDE SPACER	PLASTIC
6	2	LEFT CABINET GLIDE	METAL, PLASTIC
7	2	RIGHT CABINET GLIDE	METAL PLASTIC
8	2	CHANNEL MOULDING	PLASTIC
9	1	BASESTRIP ASSEMBLY	WOOD
10	4	BLACK FELT PAD	FABRIC
11	2	HANDEL	PLASTIC

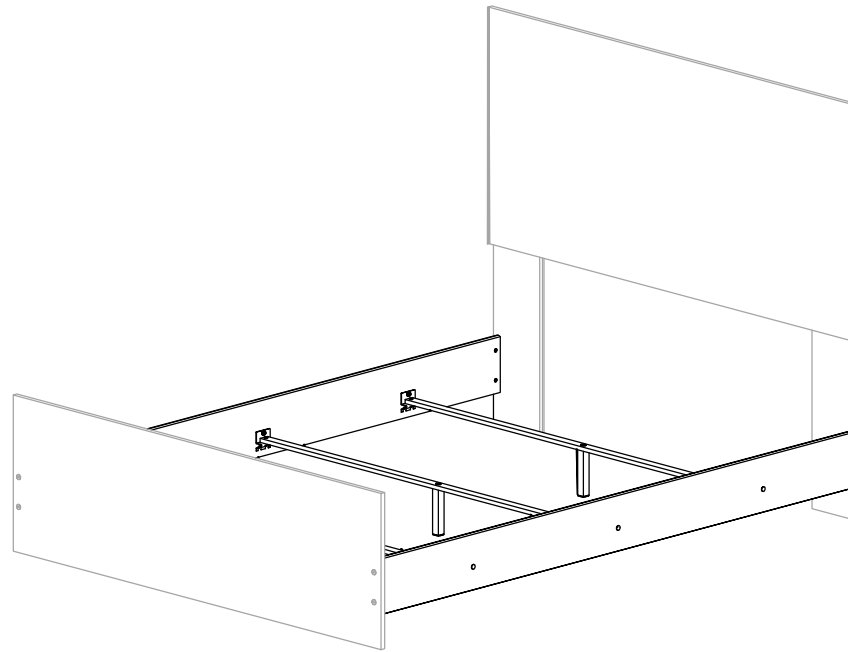
Dwg#: <b>35857</b>			
Scale: <b>1:10</b>		TOLERANCES ARE: METRIC:..... +.5 / -.5mm DECIMAL:..... 0 / -.005" FRACTIONAL:..... +0 / -1/32" (UNLESS OTHERWISE SPECIFIED)	
Date: <b>7/11/2023</b>		Desc: <b>Nightstand CS</b>	
Rev.	Description	Date	Cad/Eng



Assembly instructions for:

# Bolt On Bed Rails

Part # 134917 (02/21/23)



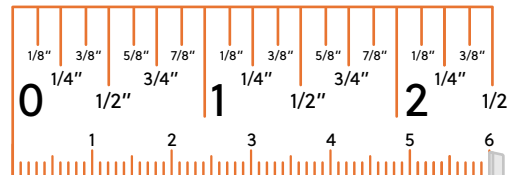
Scan Code for  
Video Tutorial

WATCH NOW



Life doesn't come with  
instructions, but this does

## HARDWARE



This bag contains small parts that present a choking hazard for children under 3 years of age. These parts are for adult assembly only and should be permanently affixed to the furniture. Any unused parts should be discarded properly.

Esta bolsa contiene piezas pequeñas que presentan un peligro de asfixia para niños menores de 3 años. Estas piezas son para adultos, montaje solamente y debe fijarse permanentemente a la muebles. Las piezas no utilizadas deben desecharse correctamente.

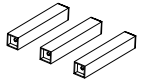
Ce sac contient de petites pièces qui présentent un risque d'étouffement pour les enfants de moins de 3 ans. Ces pièces sont pour adultes montage uniquement et doit être fixé de façon permanente au meubles. Toutes les pièces inutilisées doivent être jetées correctement.

Deze tas bevat kleine onderdelen die verstikkingsgevaar opleveren voor kinderen onder de 3 jaar. Deze onderdelen zijn voor volwassen montage alleen en moet permanent worden bevestigd aan de meubilair. Alle ongebruikte onderdelen moeten op de juiste manier worden weggegooid.

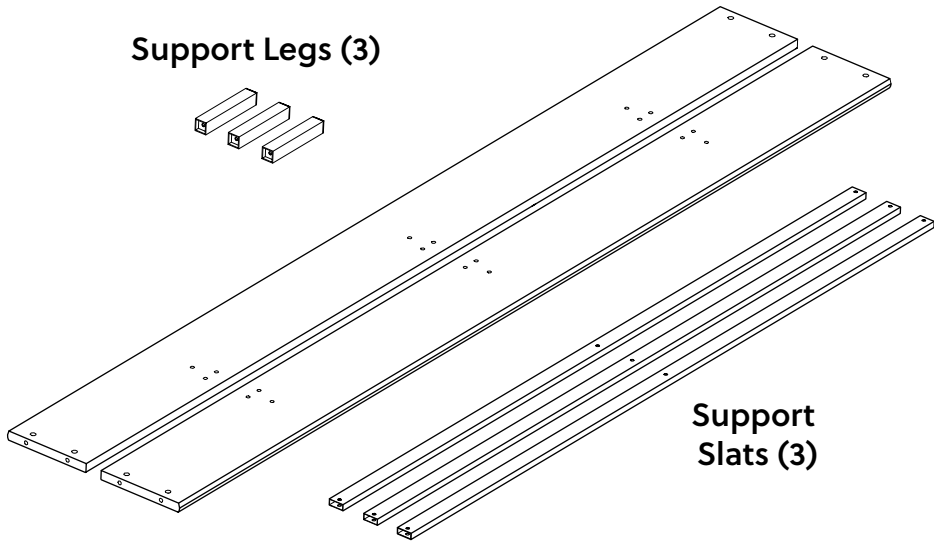
# COMPONENTS

Bed Rails (2)

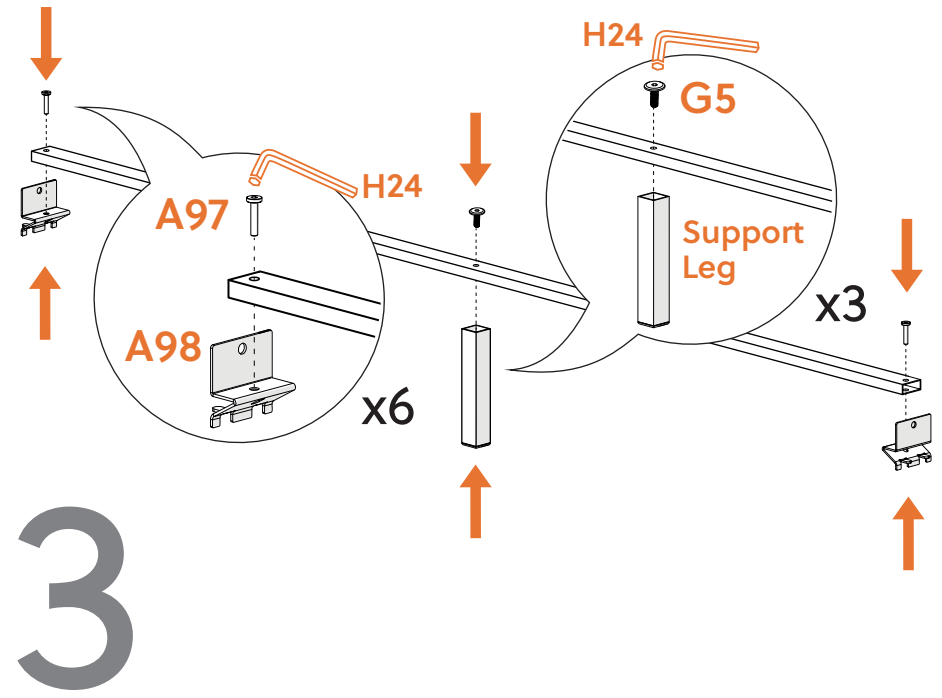
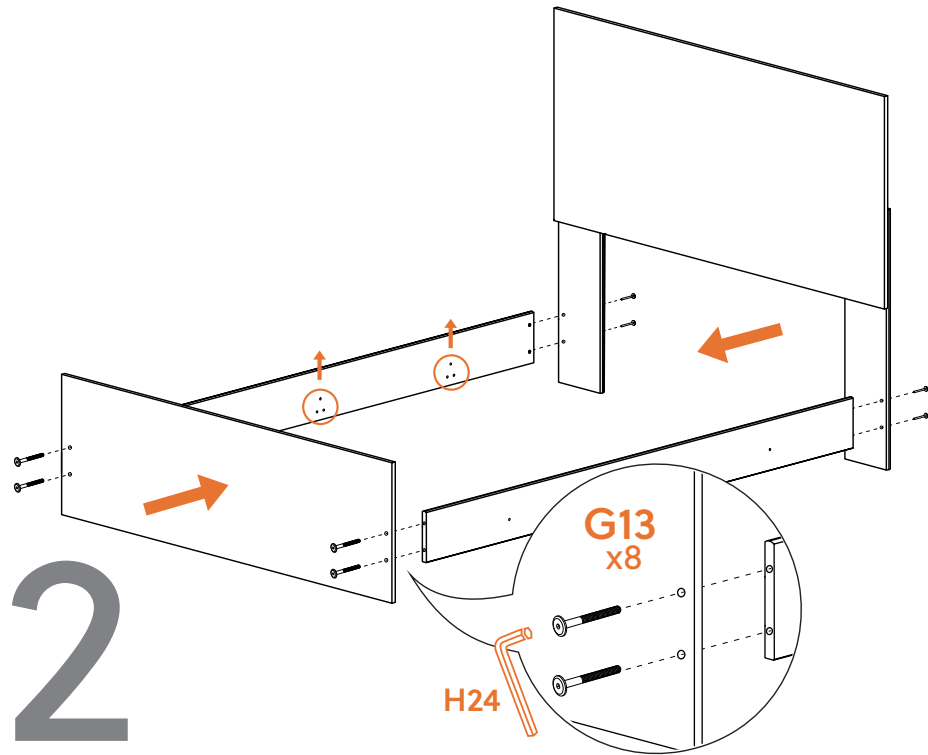
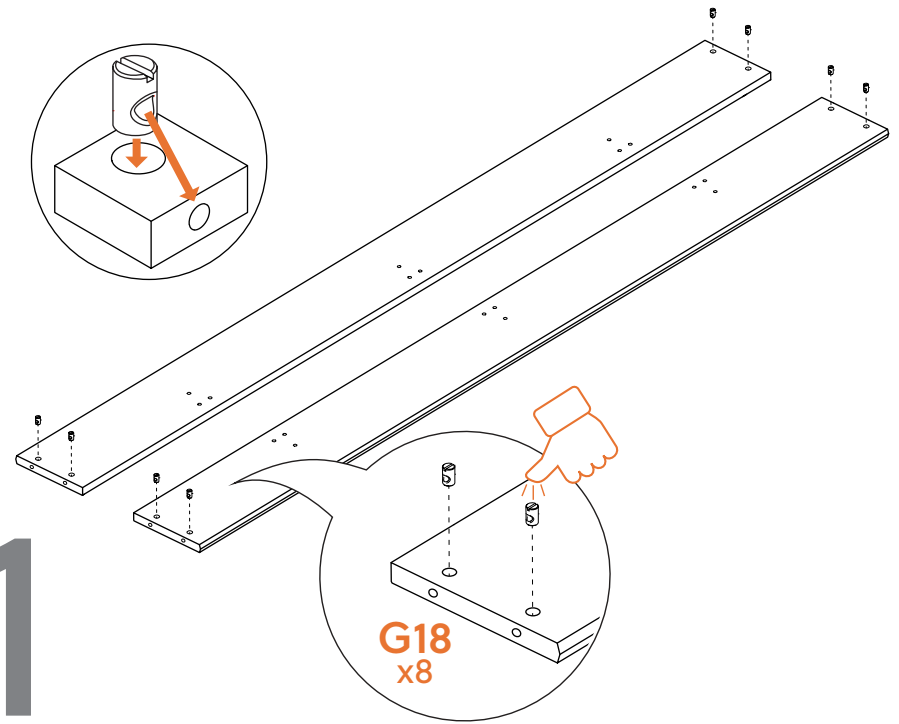
Support Legs (3)

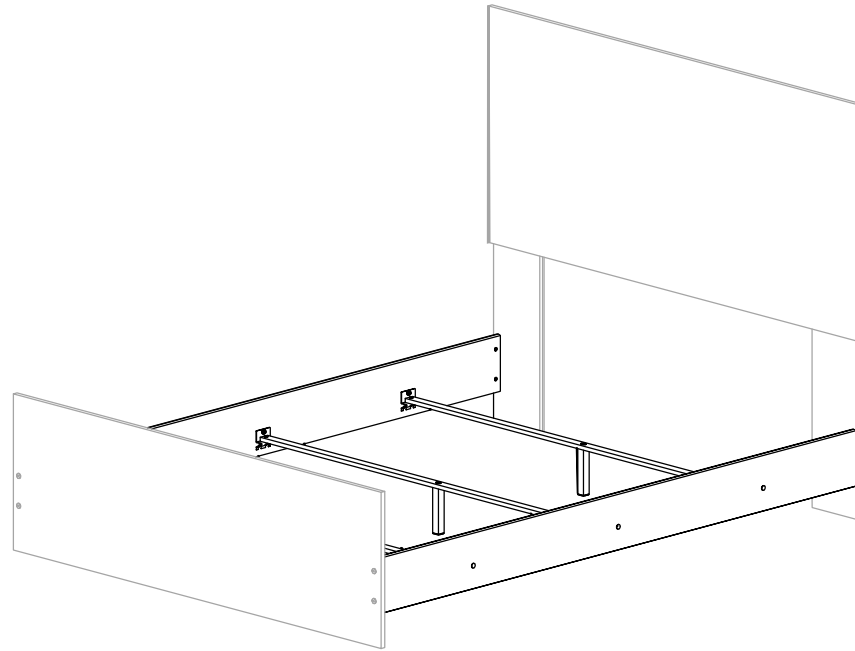
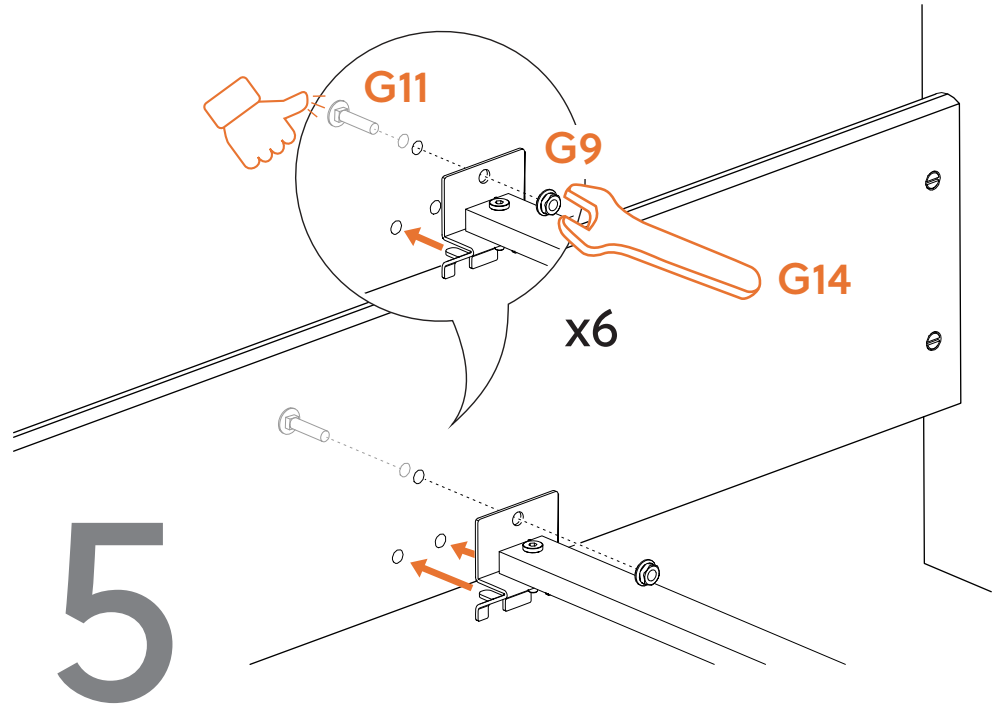
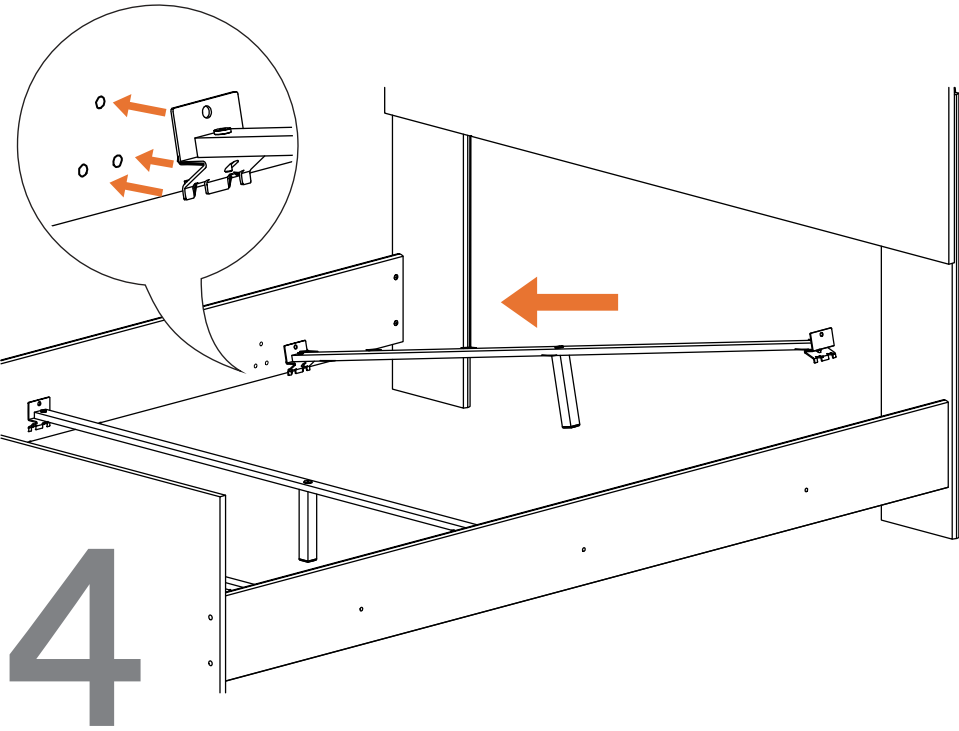


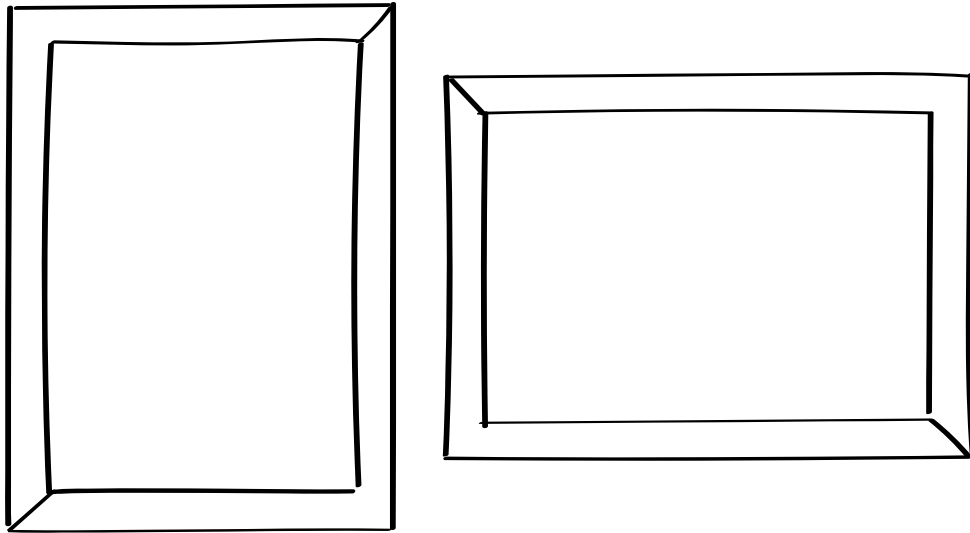
Support Slats (3)



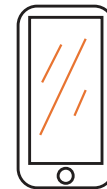
1







Assembly instructions for:  
**The Mirror**



Scan Code for  
Video Tutorial

**WATCH NOW**



*Life doesn't come with  
instructions, but this does*

Part # 10020307 (06/05/24)

## HEADS UP

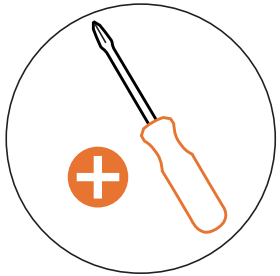


| TIME

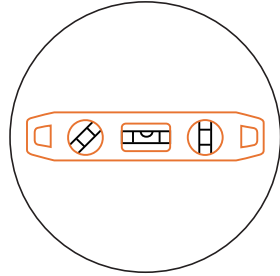


| EFFORT SCALE  
(you've got this)

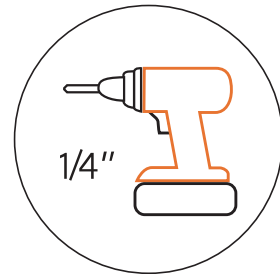
## BUST OUT



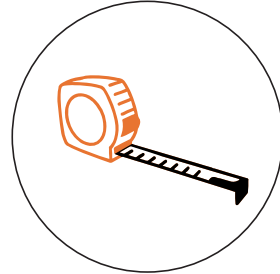
| REQUIRED TOOL



| RECOMMENDED  
TOOL



| RECOMMENDED  
TOOL

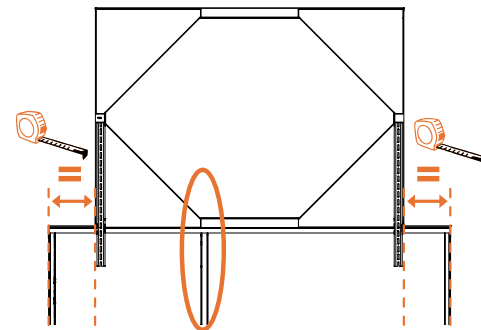
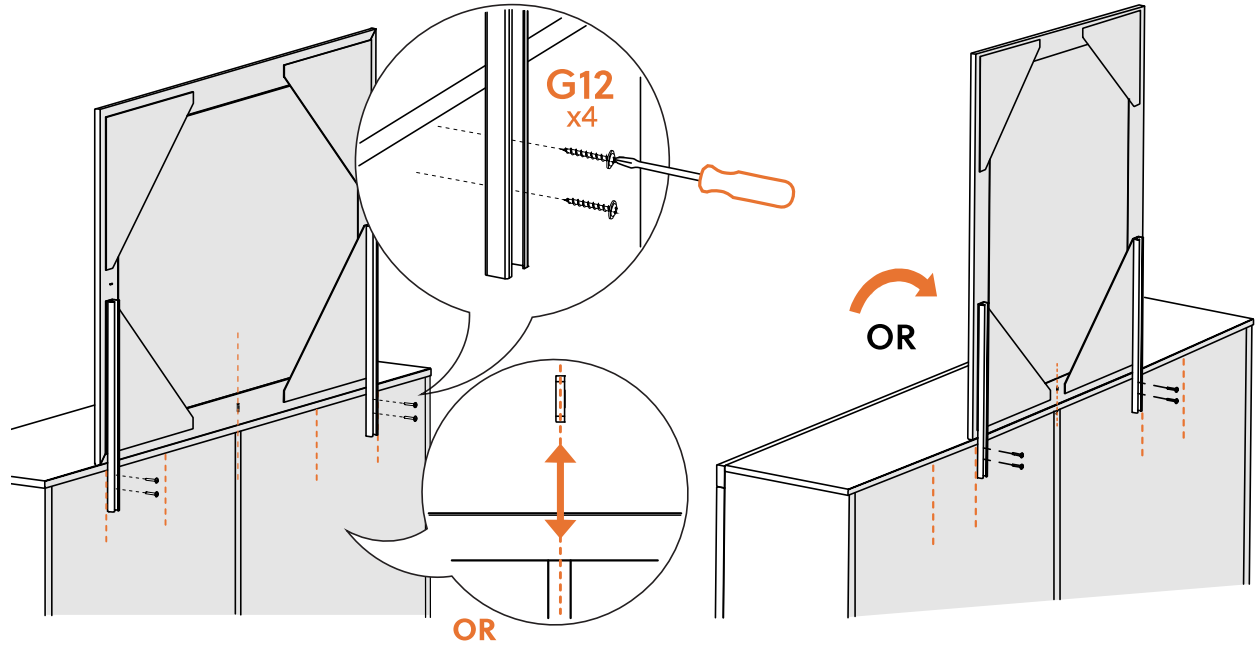
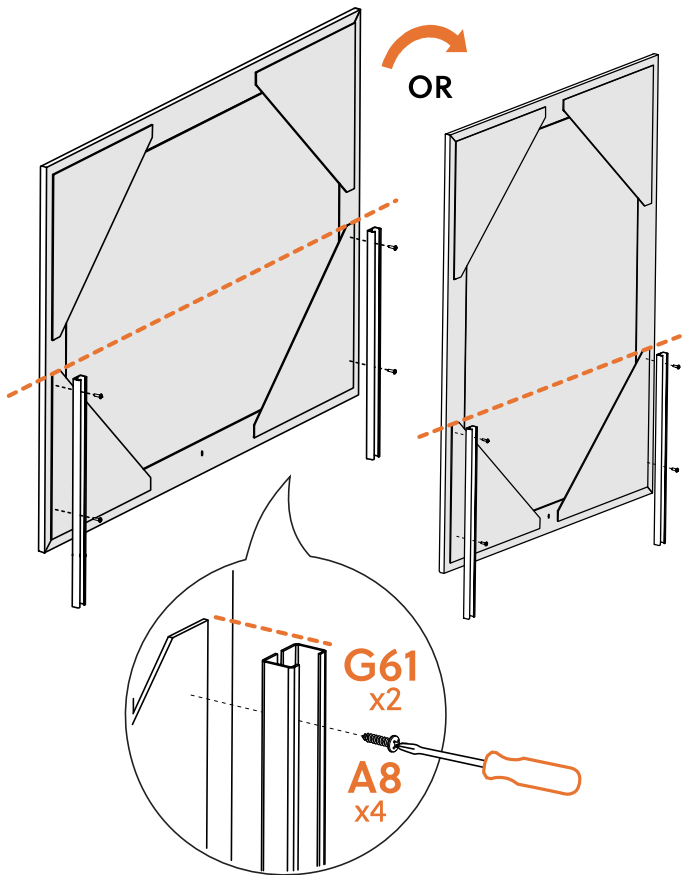
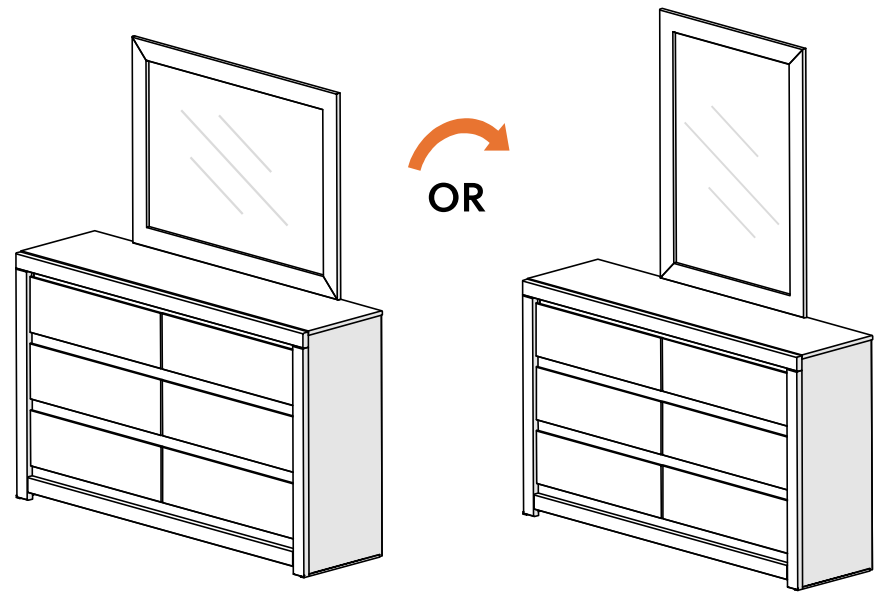


| RECOMMENDED  
TOOL

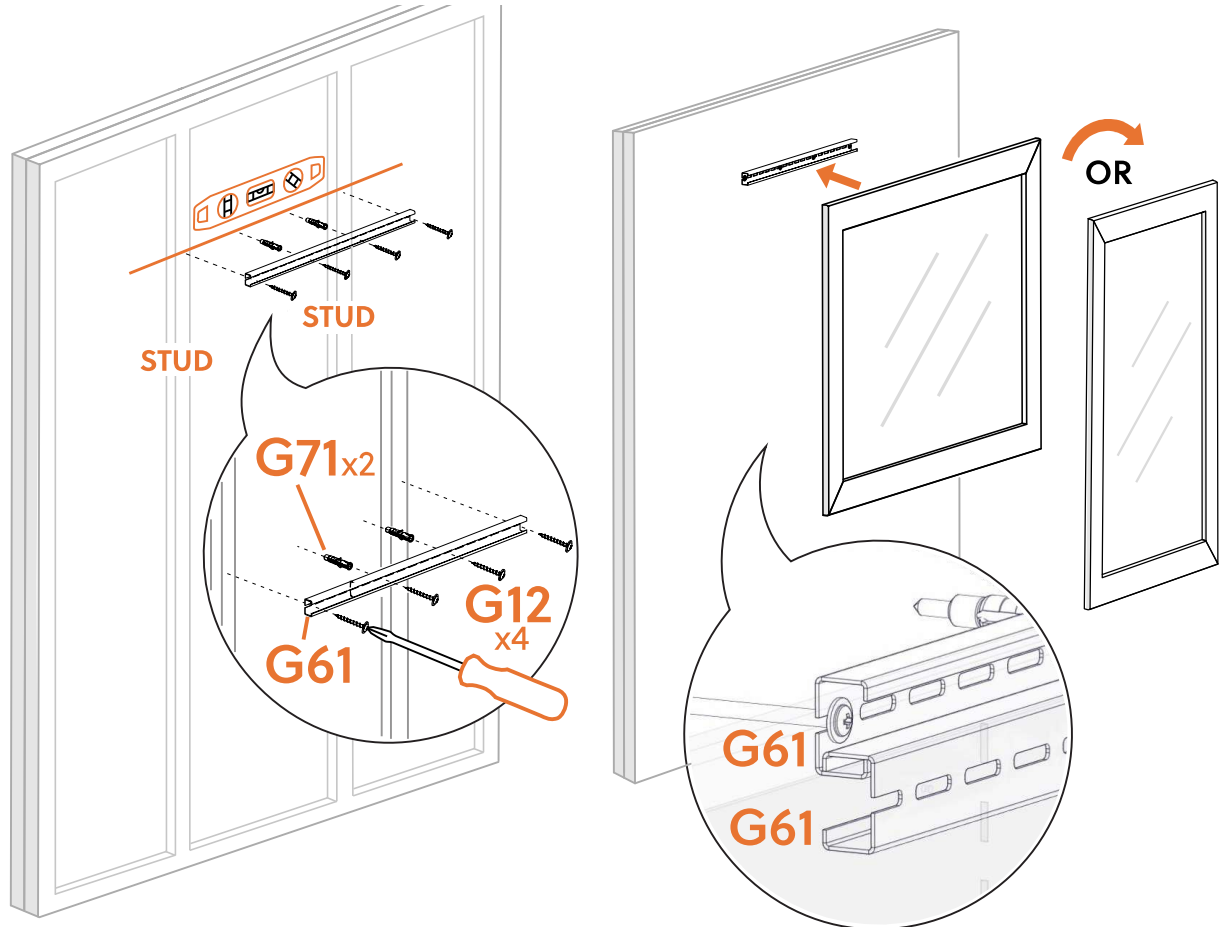
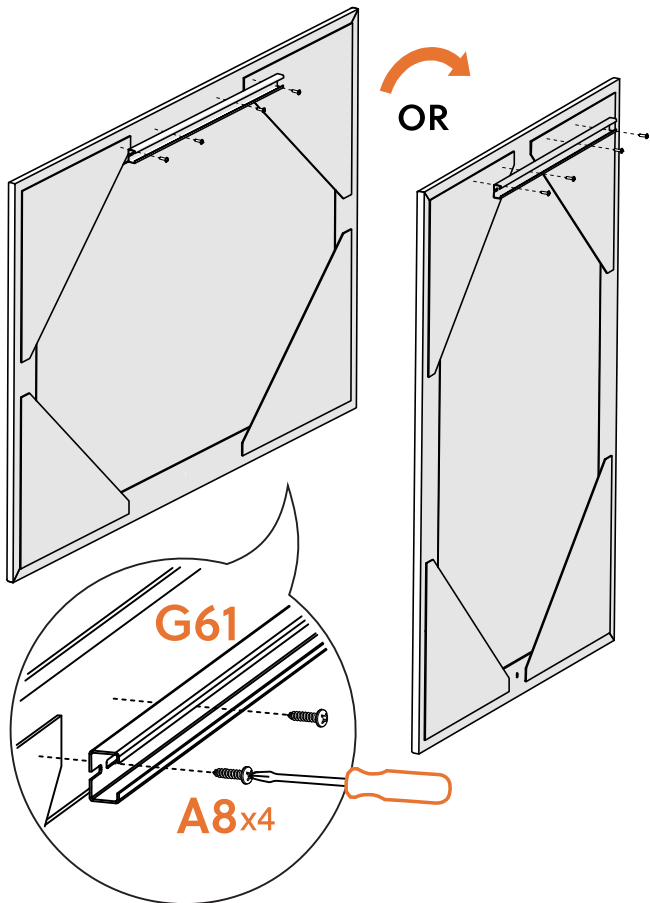
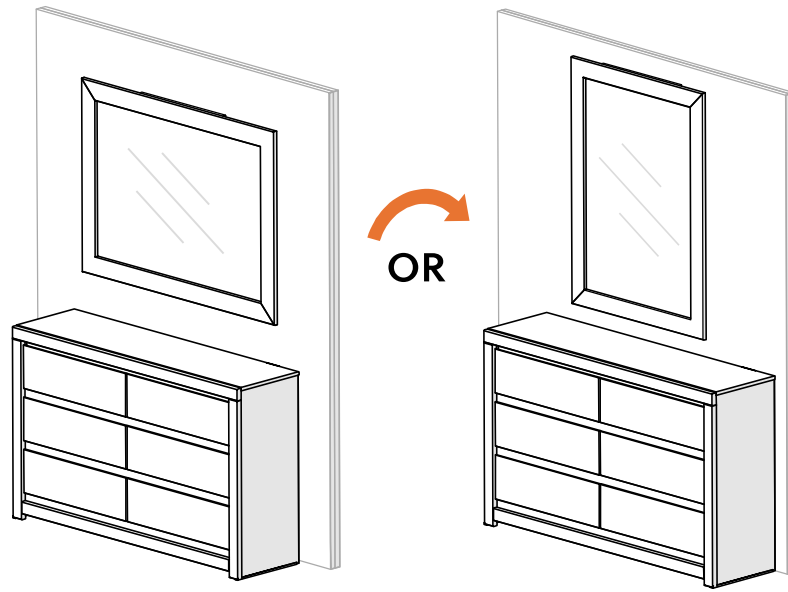
# HARDWARE



# 1 | OPTION ONE: DRESSER MOUNT



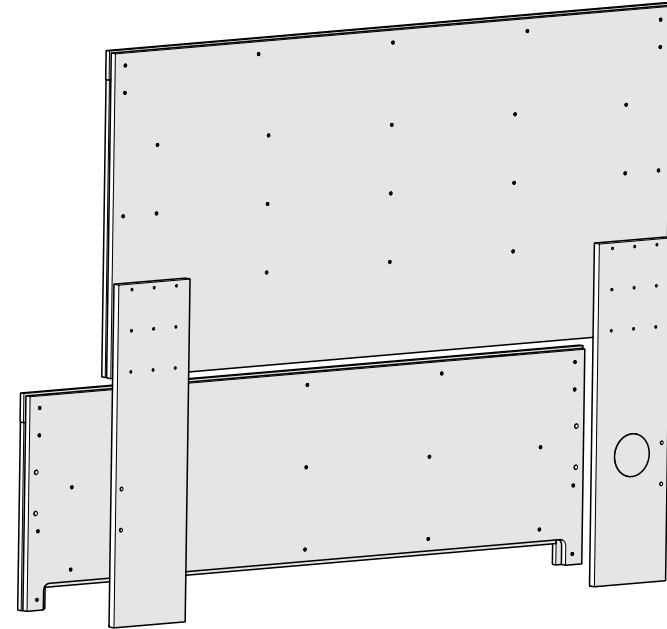
# 2 | OPTION TWO: WALL MOUNT



Assembly instructions for:

# Headboard & Footboard

Part # 10038721 (09/28/23)

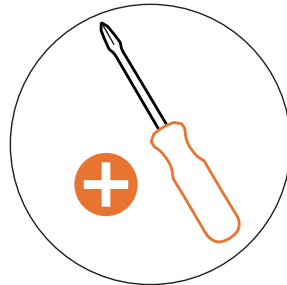


Life doesn't come with instructions, but this does

## HARDWARE



### BUST OUT



### REQUIRED TOOL



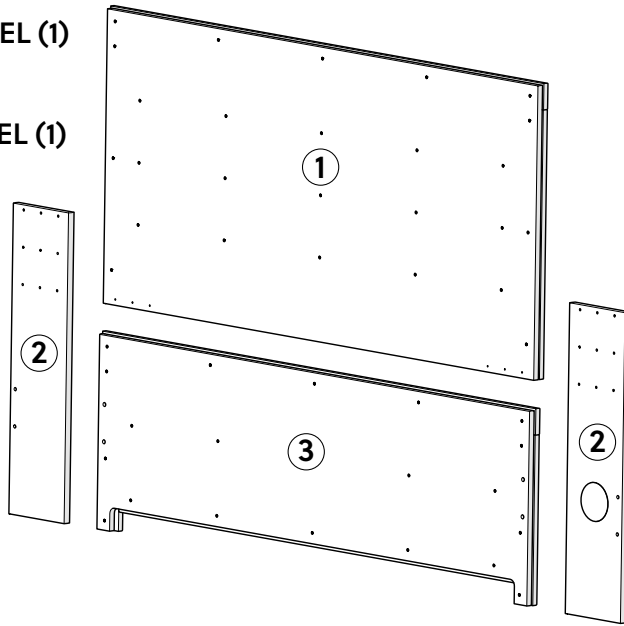
This bag contains small parts that present a choking hazard for children under 3 years of age. These parts are for adult assembly only and should be permanently affixed to the furniture. Any unused parts should be discarded properly.

Esta bolsa contiene piezas pequeñas que presentan un peligro de asfixia, para niños menores de 3 años. Estas piezas son para adultos, montaje solamente y debe fijarse permanentemente a la muebles. Las piezas no utilizadas deben desecharse correctamente.

Ce sac contient de petites pièces qui présentent un risque d'étouffement pour les enfants de moins de 3 ans. Ces pièces sont pour adultes montage uniquement et doit être fixé de façon permanente au meubles. Toutes les pièces inutilisées doivent être jetées correctement.

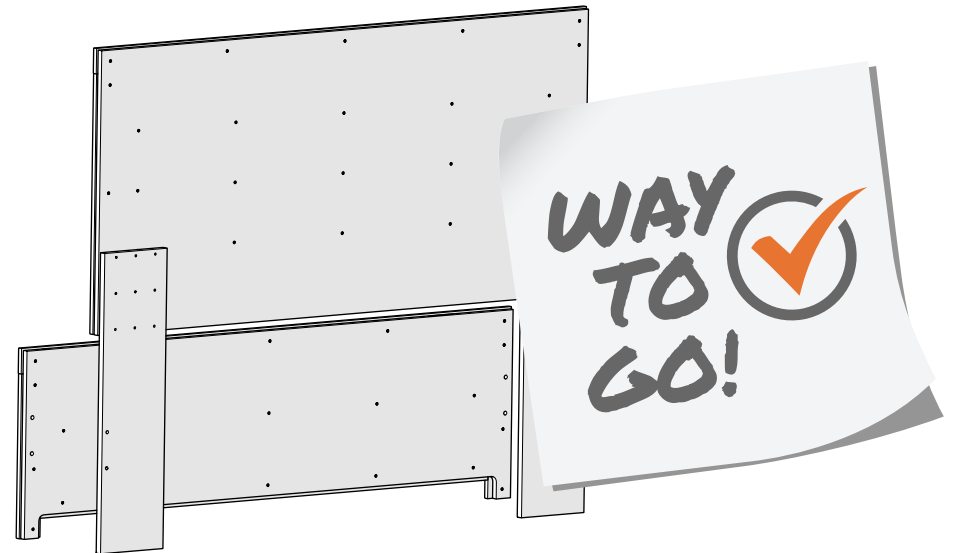
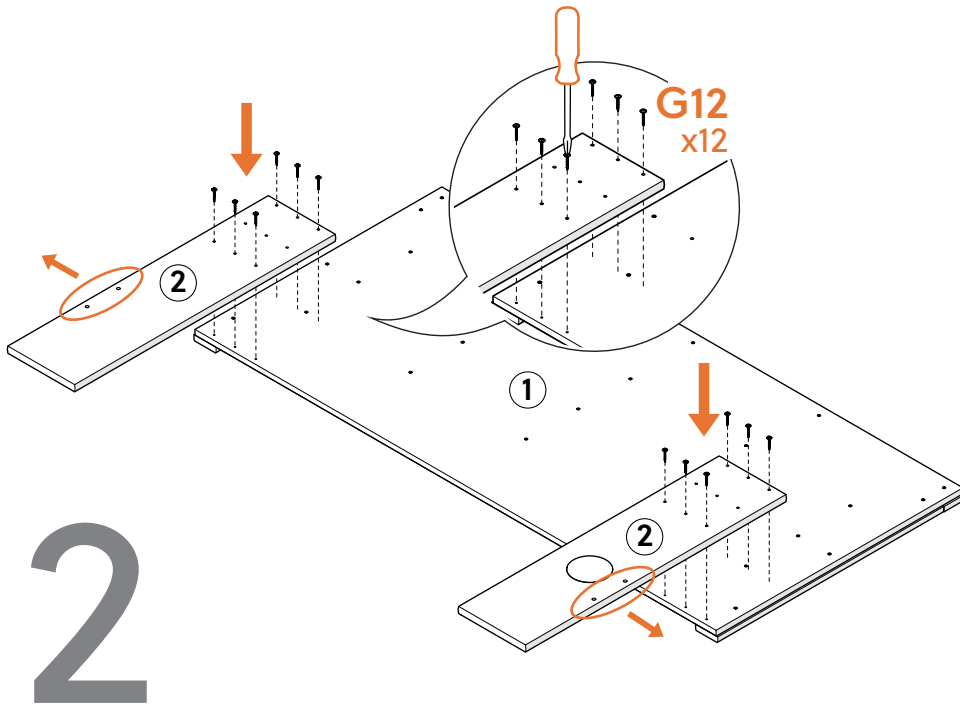
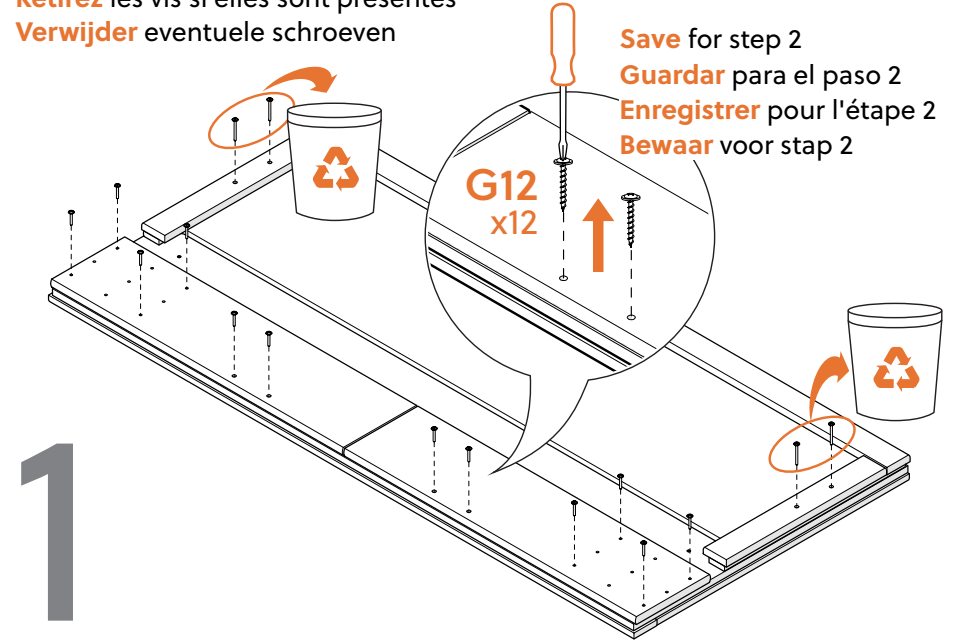
Deze tas bevat kleine onderdelen die verstikkingsgevaar opleveren voor kinderen onder de 3 jaar. Deze onderdelen zijn voor volwassen montage alleen en moet permanent worden bevestigd aan de meubilair. Alle ongebruikte onderdelen moeten op de juiste manier worden weggegooid.

- ① HEADBOARD PANEL (1)
- ② LEGS (2)
- ③ FOOTBOARD PANEL (1)



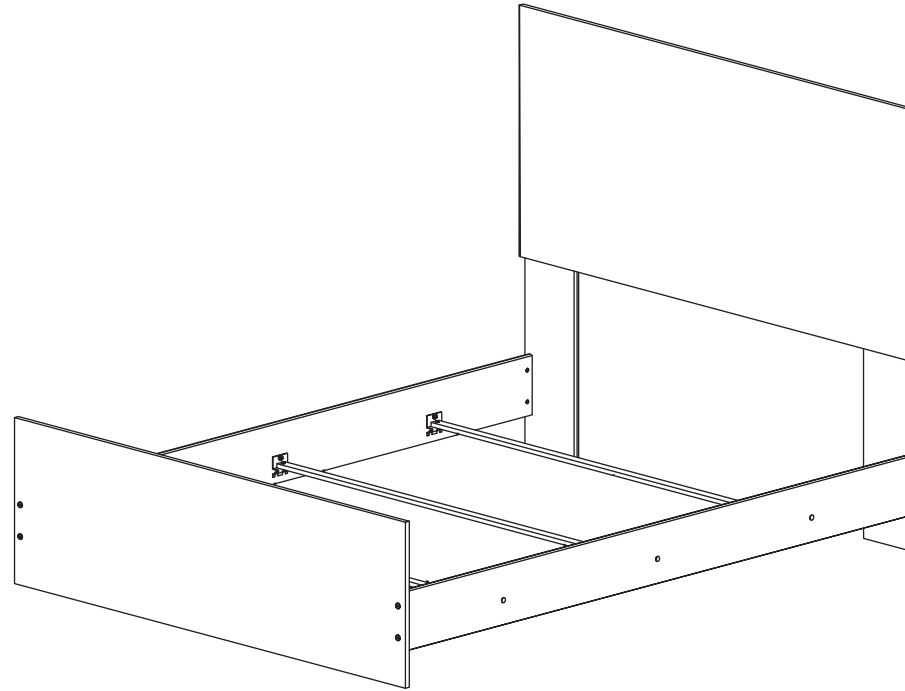
# COMPONENTS

Remove screws if present  
 Retire los tornillos si están presentes  
 Retirez les vis si elles sont présentes  
 Verwijder eventuele schroeven



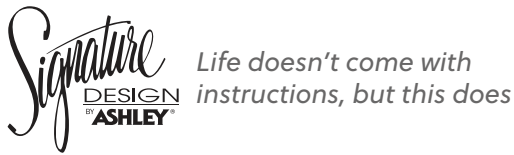
Assembly instructions for:  
**Bed Rails**

Part # 10039660 (10/17/22)

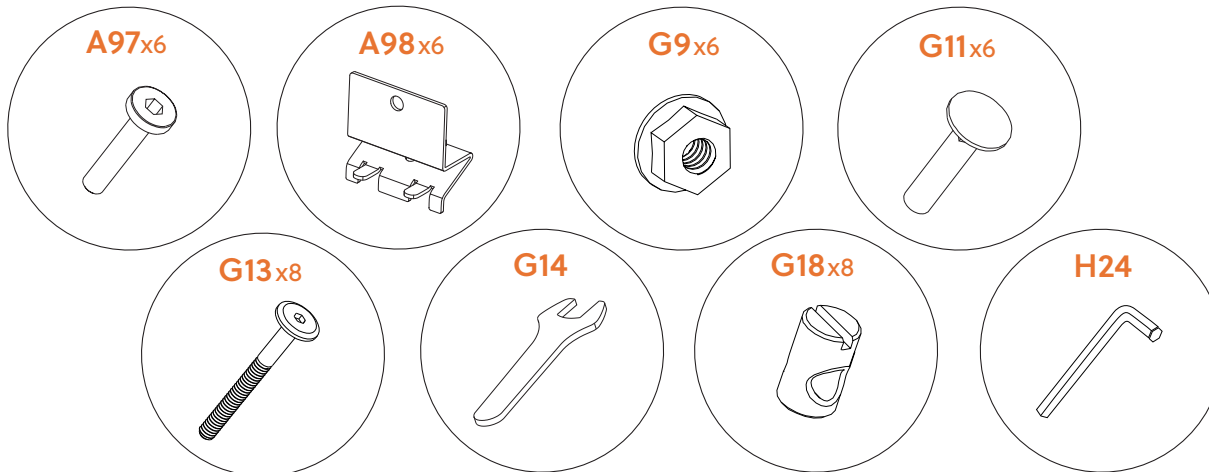
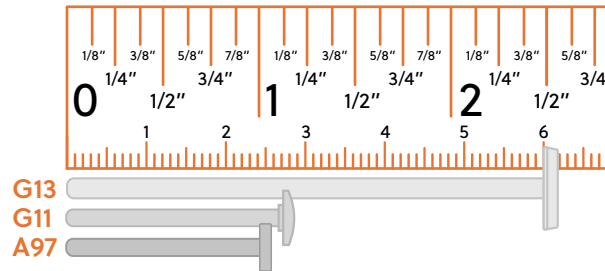


Scan Code for  
**Video Tutorial**

**WATCH NOW**



# HARDWARE

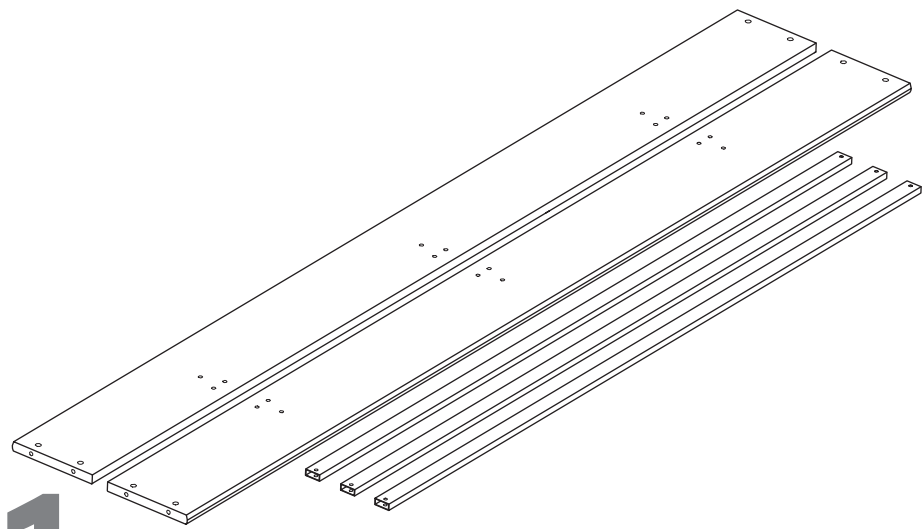


This bag contains small parts that present a choking hazard for children under 3 years of age. These parts are for adult assembly only and should be permanently affixed to the furniture. Any unused parts should be discarded properly.

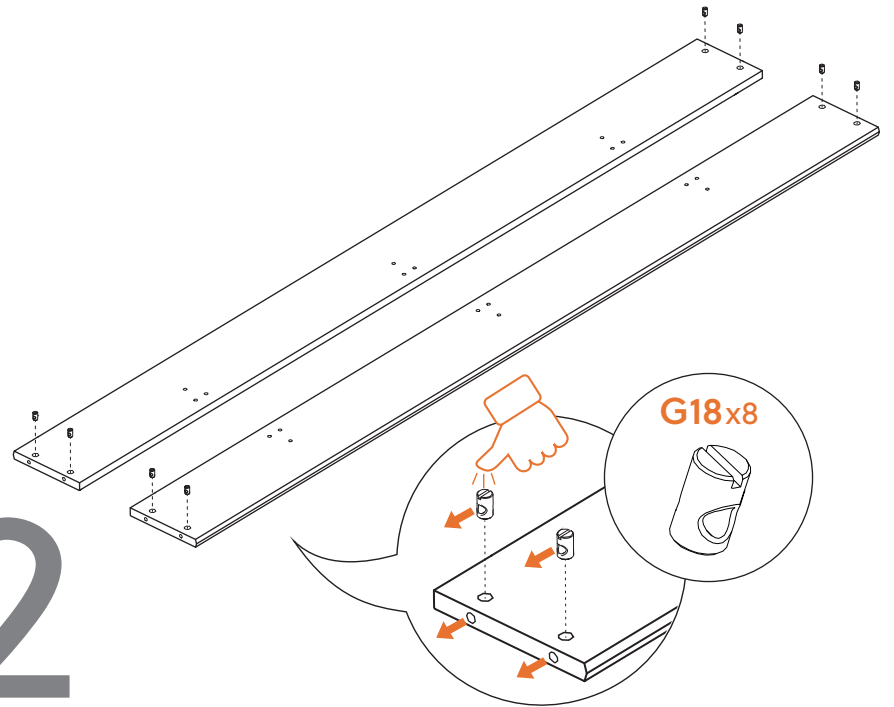
Esta bolsa contiene piezas pequeñas que presentan un peligro de asfixia, para niños menores de 3 años. Estas piezas son para adultos, montaje solamente y debe fijarse permanentemente a la muebles. Las piezas no utilizadas deben desecharse correctamente.

Ce sac contient de petites pièces qui présentent un risque d'étouffement pour les enfants de moins de 3 ans. Ces pièces sont pour adultes montage uniquement et doit être fixé de façon permanente au meubles. Toutes les pièces inutilisées doivent être jetées correctement.

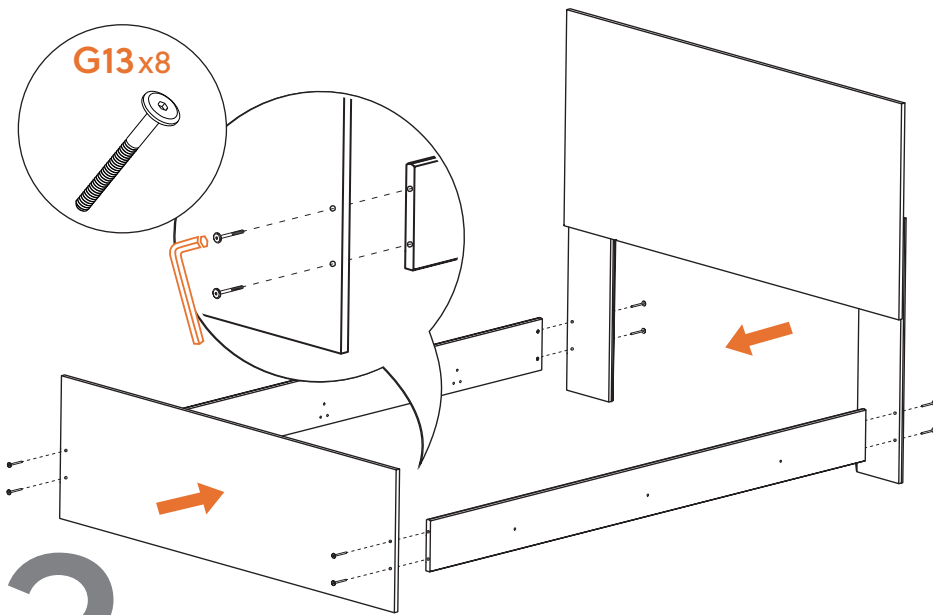
Deze tas bevat kleine onderdelen die verstikkingsgevaar opleveren voor kinderen onder de 3 jaar. Deze onderdelen zijn voor volwassen montage alleen en moet permanent worden bevestigd aan de meubilair. Alle ongebruikte onderdelen moeten op de juiste manier worden weggegooid.



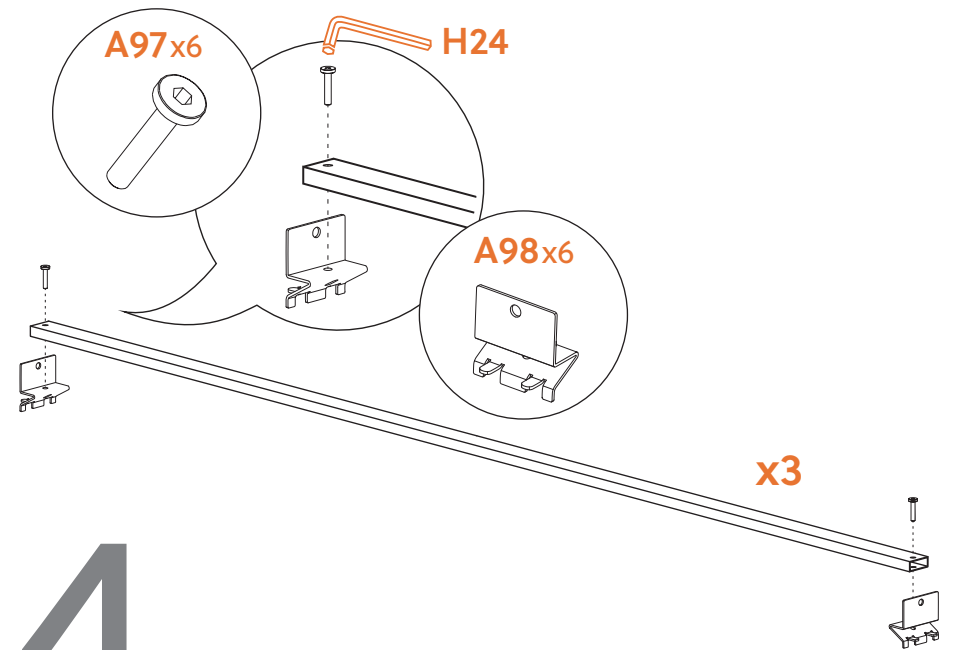
1



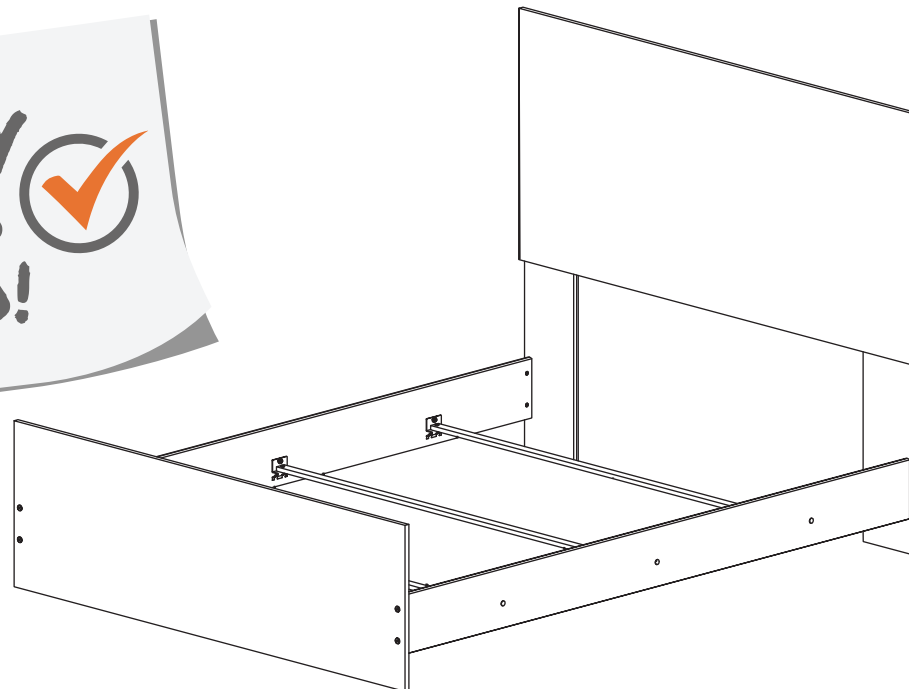
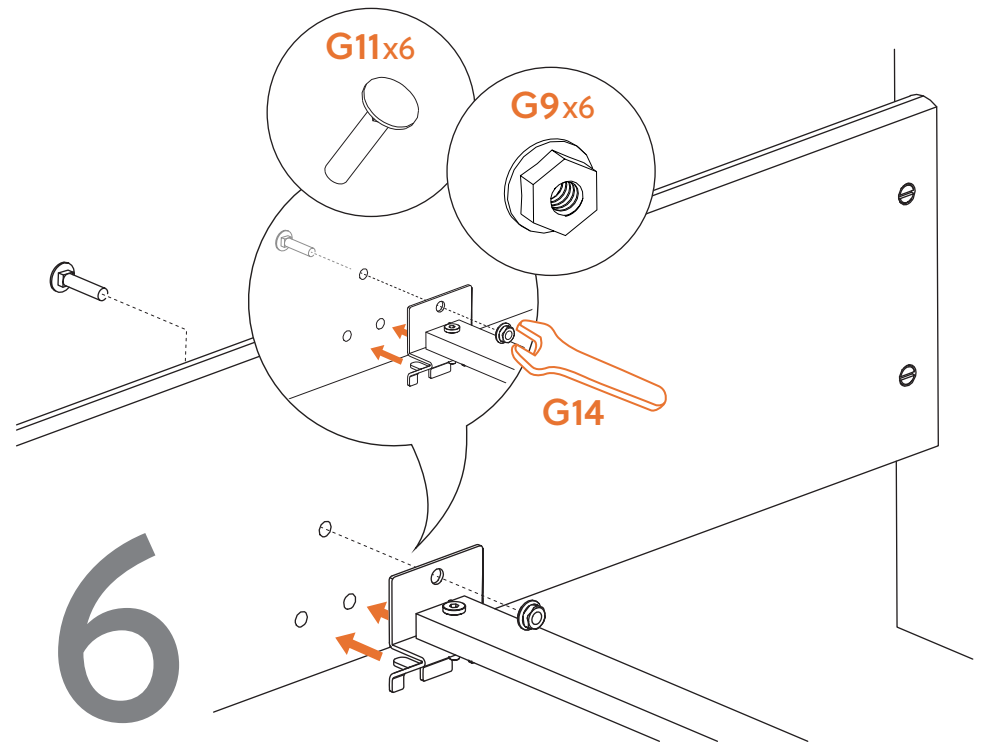
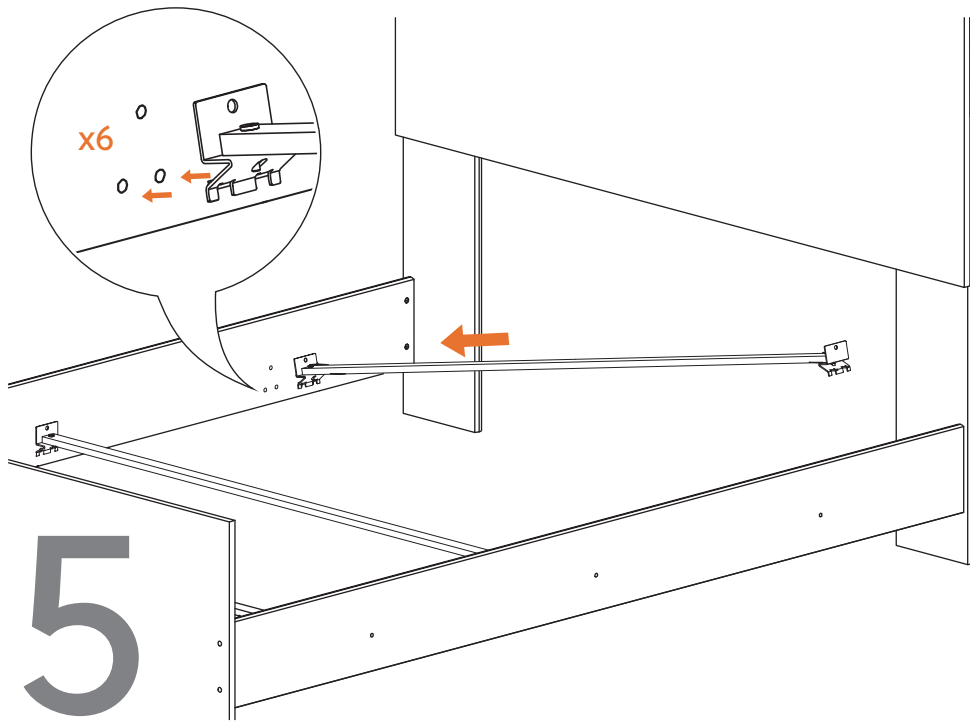
2



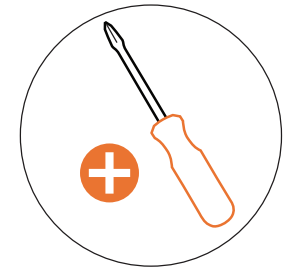
3



4



BUST OUT



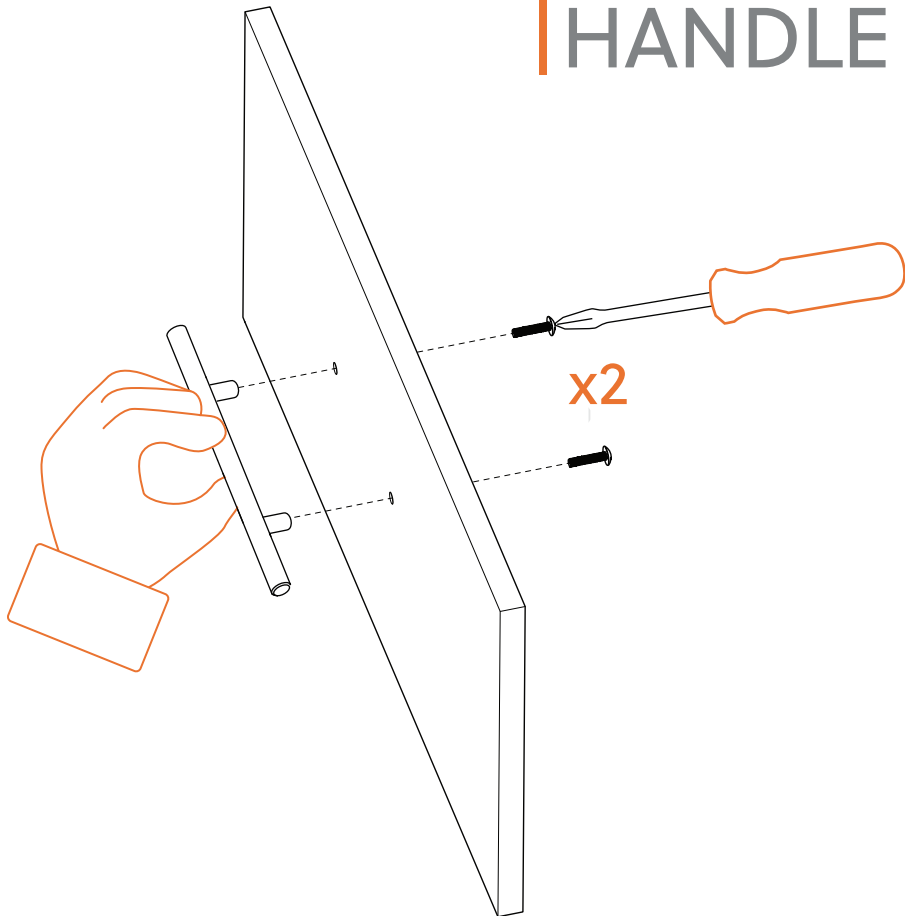
REQUIRED TOOL

Assembly instructions for:

# Handles & Knobs

Part # 10549174 (04/30/25)

HANDLE



KNOB

