
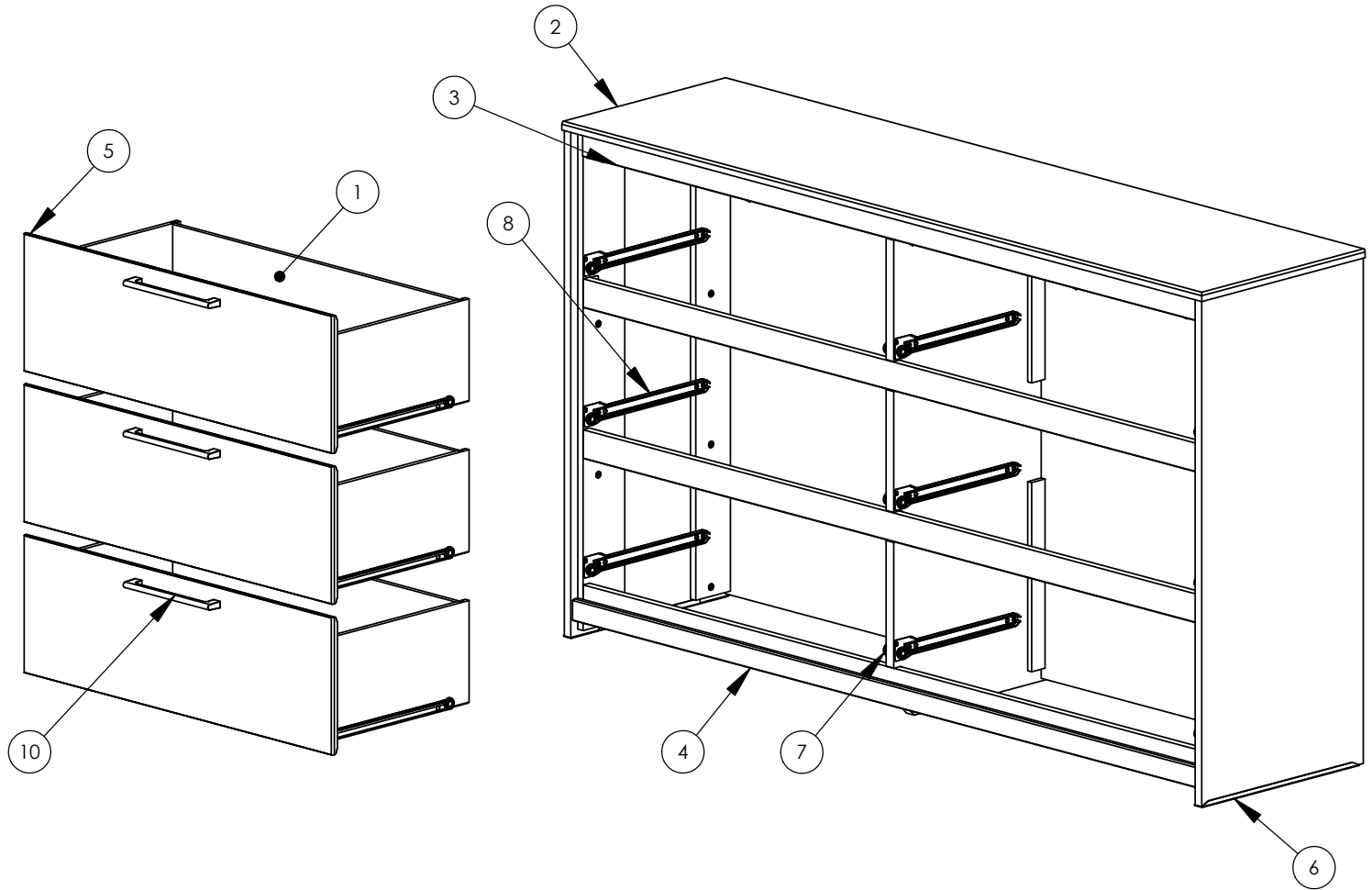



Item#	Qty	Description	MATERIAL
1	6	DRAWER ASSEMBLY	WOOD/METAL
2	1	TOP	WOOD
3	1	TOP FRONT RAIL	WOOD
4	1	BASESTRIP	WOOD
5	12	FELT PAD	FIBER
6	2	CHANNEL MOULDING	PLASTIC
7	6	RIGHT CABINET GLIDE	METAL
8	6	LEFT CABINET GLIDE	METAL
9	1	TIPPING RESTRAINT	PLASTIC
10	6	HANDLE	METAL

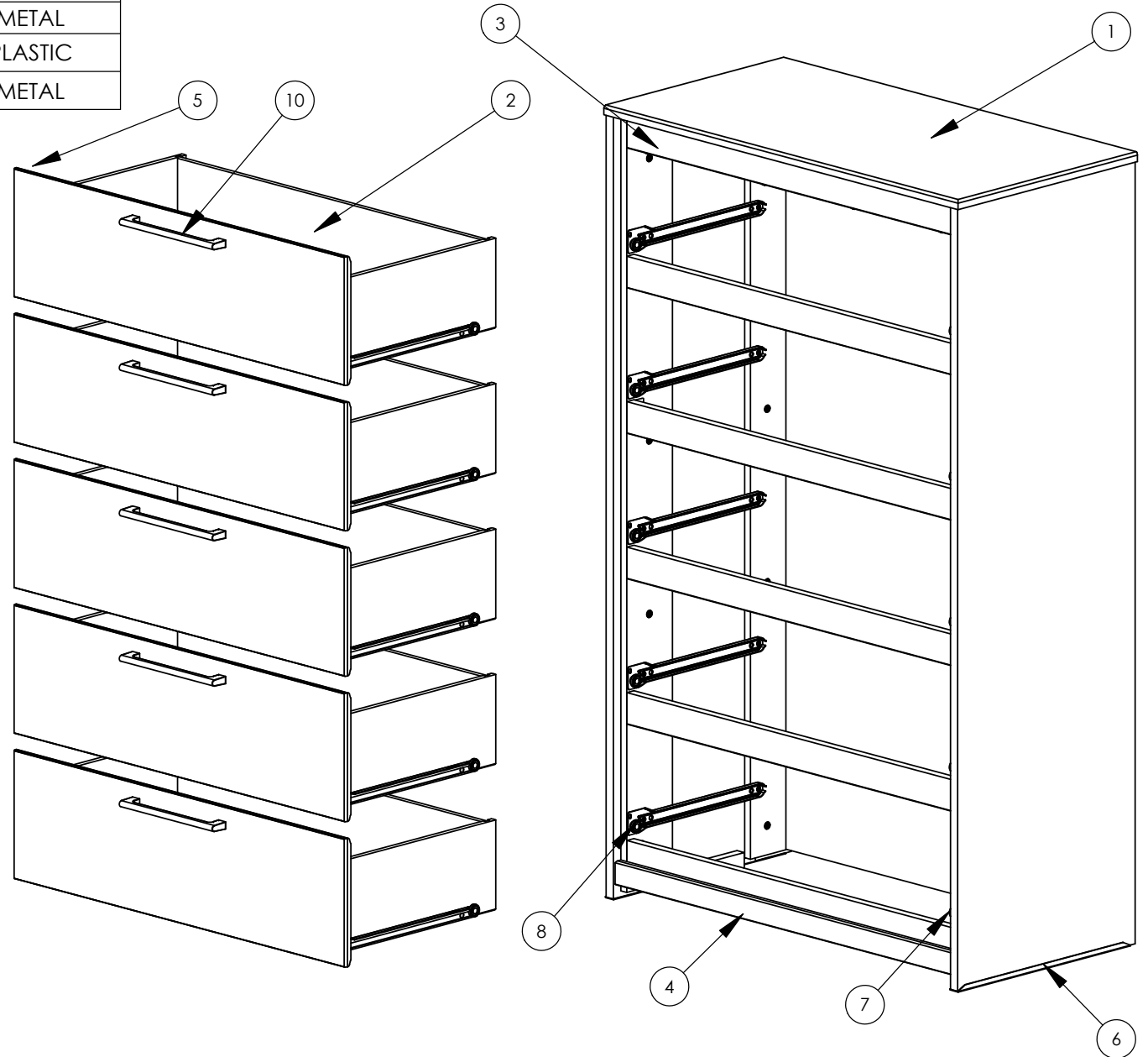
Dwg#: 34909			
Scale: 1:20		TOLERANCES ARE: METRIC:..... +.5 / -.5mm DECIMAL:..... 0 / -.005" FRACTIONAL:..... +0 / -.1/32" (UNLESS OTHERWISE SPECIFIED)	
Date: 5/9/2017		Desc: Dresser CS	
Rev.	Description	Date	Cad/Eng



TIPPING RESTRAINT

Item#	Qty	Description	MATERIAL
1	1	TOP ASSEMBLY	WOOD
2	5	DRAWER ASSEMBLY	WOOD/METAL
3	1	TOP FRONT RAIL	WOOD
4	1	BASESTRIP	WOOD
5	10	FELT PAD	FABRIC
6	2	CHANNEL MOULDING	PLASTIC
7	5	RIGHT CABINET GLIDE	METAL
8	5	LEFT CABINET GLIDE	METAL
9	1	TIPPING RESTRAINT	PLASTIC
10	5	HANDLE	METAL

Dwg#: 34910			
Scale: 1:15		TOLERANCES ARE: METRIC: +.5 / -.5mm DECIMAL: 0 / -.005" FRACTIONAL: +0 / -.1/32" (UNLESS OTHERWISE SPECIFIED)	
Date: 5/9/2017		Desc: Chest CS	
Rev.	Description	Date	Cad/Eng

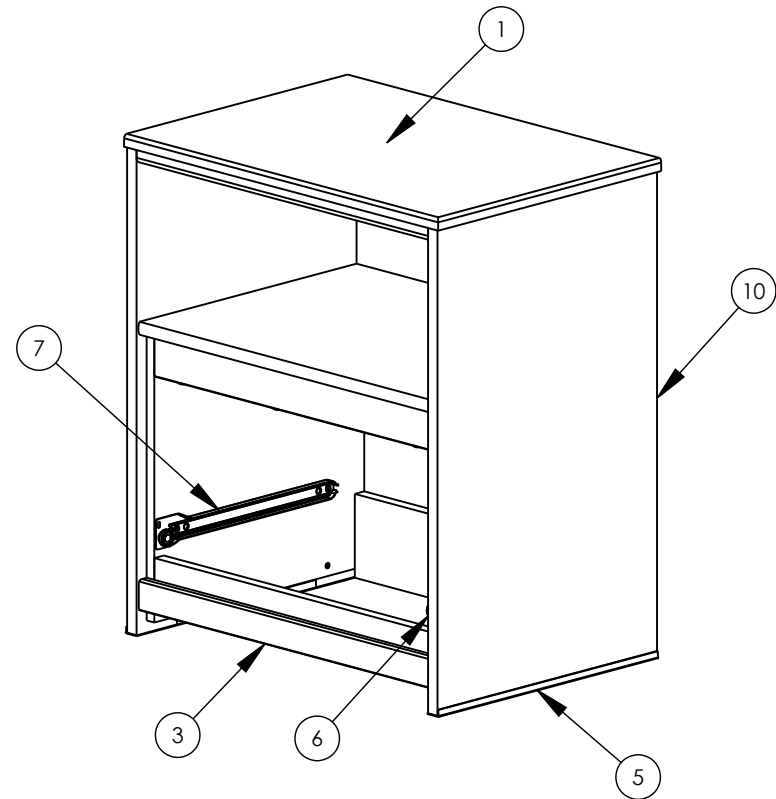
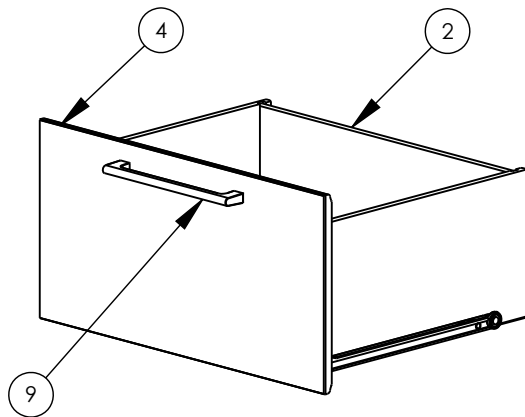


ITEM #	QTY.	DESCRIPTION	MATERIAL
1	1	TOP ASSEMBLY	WOOD, METAL
2	1	DRAWER ASSEMBLY	WOOD, METAL
3	1	BASESTRIP*	WOOD
4	2	FELT PAD	FABRIC
5	2	CHANNEL MOULDING	PLASTIC
6	1	RIGHT CABINET GLIDE	METAL, PLASTIC
7	1	LEFT CABINET GLIDE	METAL, PLASTIC
8	1	USB CHARGING KIT	METAL/PLASTIC
9	1	HANDLE	METAL
10	1	UNIT BACK	WOOD

A


*B221 - USE BASESTRIP #153173 BEFORE 10/25/2019

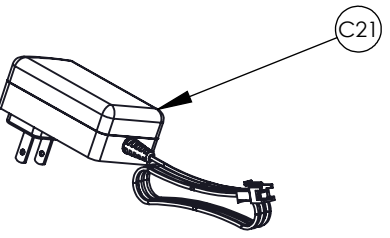
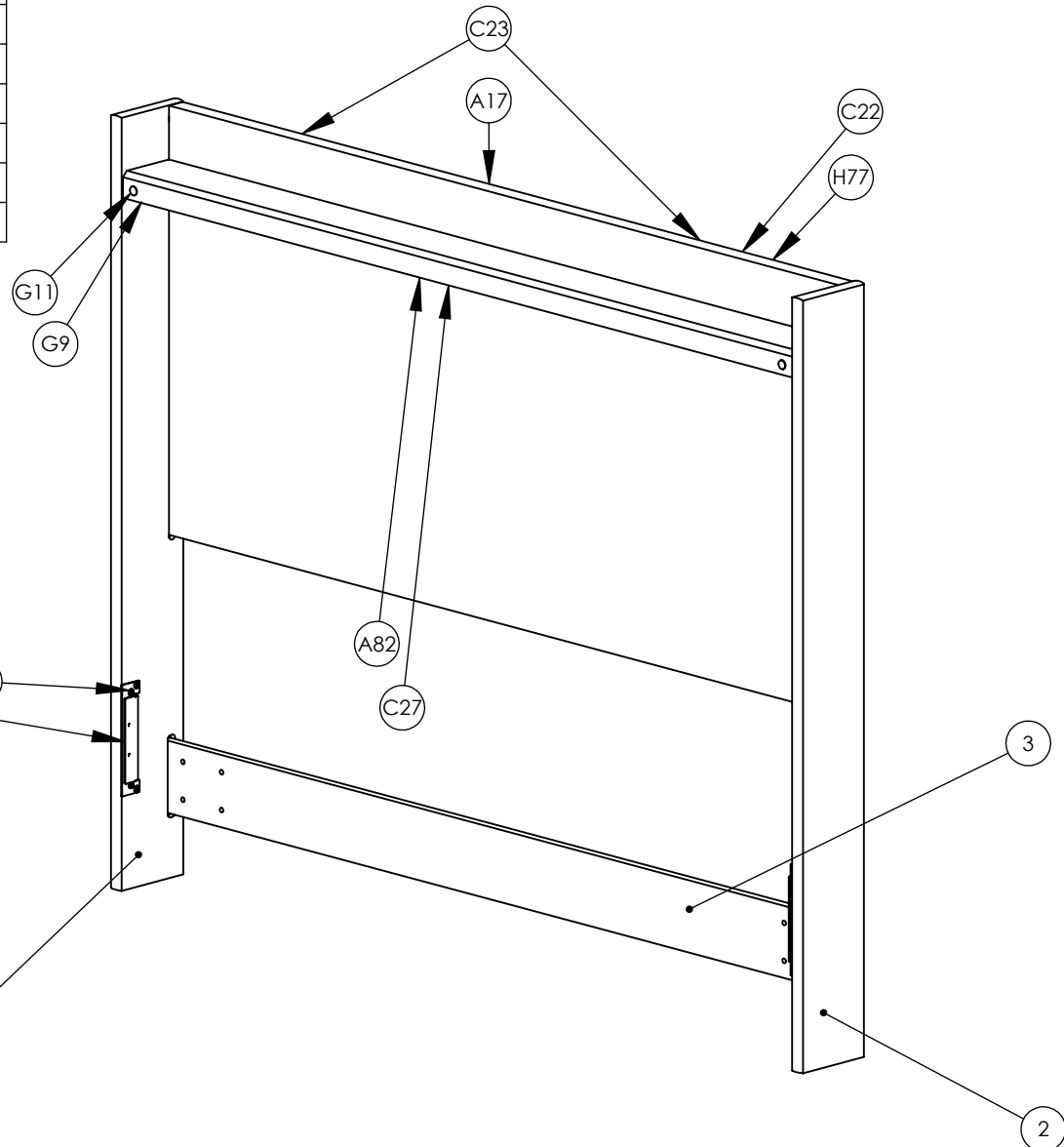
*B221 - USE BASESTRIP #144625 AFTER 10/25/2019




Dwg#: 34912			
Scale: 1:9		TOLERANCES ARE: METRIC..... +.5 / -.5mm DECIMAL..... 0 / -.005" FRACTIONAL..... +0/ - 1/32" (UNLESS OTHERWISE SPECIFIED)	
Date: 7/26/2016			
Desc: Nightstand			
Rev.	Description	Date	Cad/Eng
A	USB CHARGING KIT WAS TRANSFORMER AND HUB	12/28/2017	CEH/JR

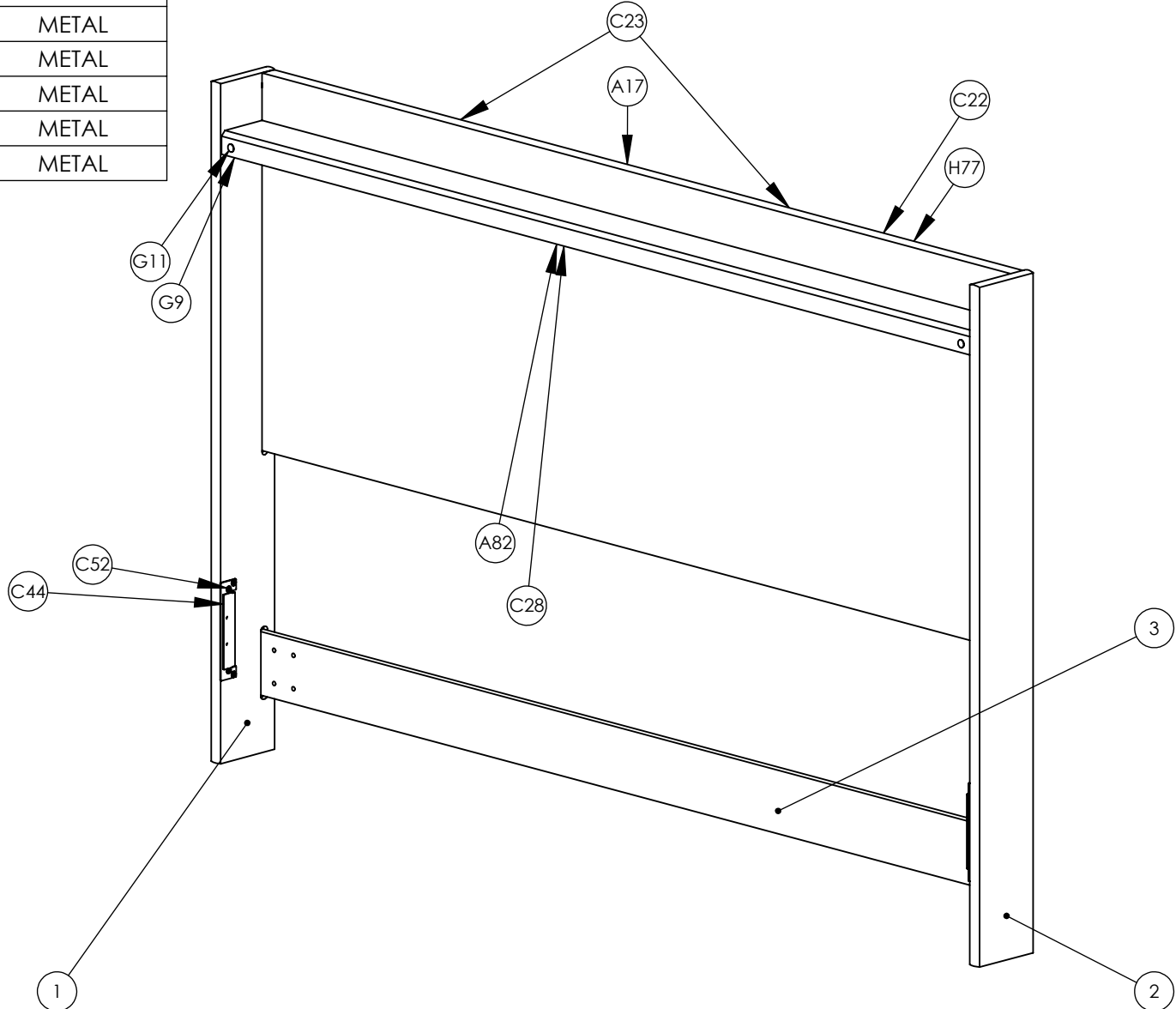
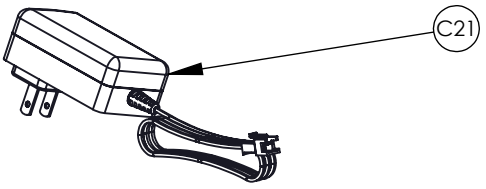
Item#	Qty	Description	MATERIAL
1	1	LEFT LEG	WOOD
2	1	RIGHT LEG	WOOD
3	1	HEADBOARD SUP RAIL	WOOD
A17	1	(A17) PLASTIC 6" WIRE CABLE TIE	METAL
A82	4	(A82) LED SUPPORT PIN CLIP	PLASTIC
C21	1	(C21) LED POWER SOURCE	PLASTIC/METAL
C22	1	(C22) LED TOUCH JUNCTION BOX	PLASTIC/METAL
C23	2	(C23) LED TOUCH CABLE LEAD 950	PLASTIC/METAL
C27	1	(C27) LED LIGHT STRIP 1400	PLASTIC/METAL
C44	2	(C44) MITERED BEDPOST BRACKET	METAL
C52	8	(C52) 8 X 7/8 WH SCREW	METAL
G11	2	(G11) 1/4-20 X 1 1/8 CARRIAGE BOLT	METAL
G9	2	(G9) 1/4-20 SERRATED FLANGE NUT	METAL
H77	3	(H77) 8 X 5/8 PH SCREW	METAL

Dwg#: 34917			
Scale: 1:10		TOLERANCES ARE: METRIC:..... +.5 / -.5mm DECIMAL:..... 0 / -.005" FRACTIONAL:..... +0 / -1/32" (UNLESS OTHERWISE SPECIFIED)	
Date: 6/8/2017		Desc: Headboard CS	
Rev.	Description	Date	Cad/Eng



Item#	Qty	Description	MATERIAL
1	1	LEFT LEG	WOOD
2	1	RIGHT LEG	WOOD
3	1	HEADBOARD SUP RAIL	WOOD
A17	1	(A17) PLASTIC 6" WIRE CABLE TIE	PLASTIC
A82	5	(A82) LED SUPPORT PIN CLIP	PLASTIC
C21	1	(C21) LED POWER SOURCE	PLASTIC/METAL
C22	1	(C22) LED TOUCH JUNCTION BOX	PLASTIC/METAL
C23	2	(C23) LED TOUCH CABLE LEAD 950	PLASTIC/METAL
C28	1	(C28) LED LIGHT STRIP 1900	PLASTIC/METAL
C44	2	(C44) MITERED BEDPOST BRACKET	METAL
C52	8	(C52) 8 X 7/8 WH SCREW	METAL
G11	2	(G11) 1/4-20 X 1 1/8 CARRIAGE BOLT	METAL
G9	2	(G9) 1/4-20 SERRATED FLANGE NUT	METAL
H77	3	(H77) 8 X 5/8 PH SCREW	METAL


Dwg#: 34918			
Scale: 1:10	TOLERANCES ARE: METRIC:..... +.5 / -.5mm DECIMAL:..... 0 / -.005" FRACTIONAL:..... +0 / -1/32" (UNLESS OTHERWISE SPECIFIED)		
Date: 6/8/2017	Desc: Headboard CS		
Rev.	Description	Date	Cad/Eng

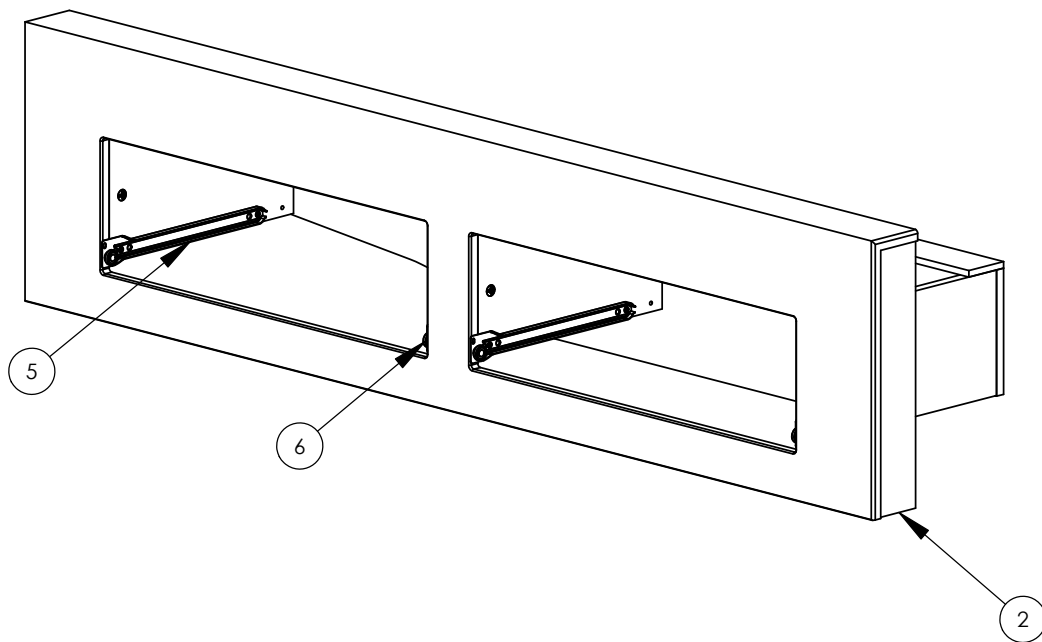
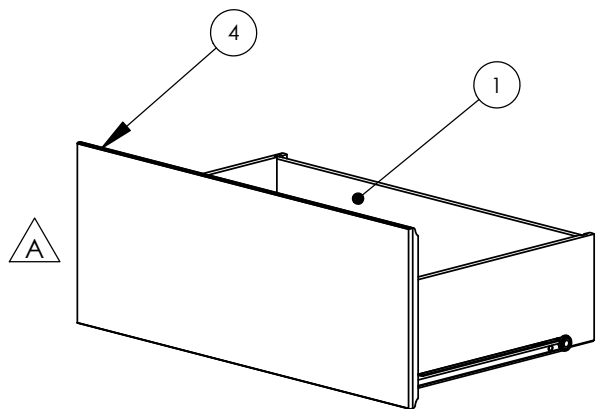


Item #	Qty	Description	Material
1	2	DRAWER ASSEMBLY***	WOOD/METAL
2	2	MTR VERT RAIL	WOOD
3	2	MTR BEDPOST BRACKET	METAL
4	4	FELT PAD	FABRIC
5	2	LEFT DRAWER GLIDE	METAL
6	2	RIGHT DRAWER GLIDE	METAL

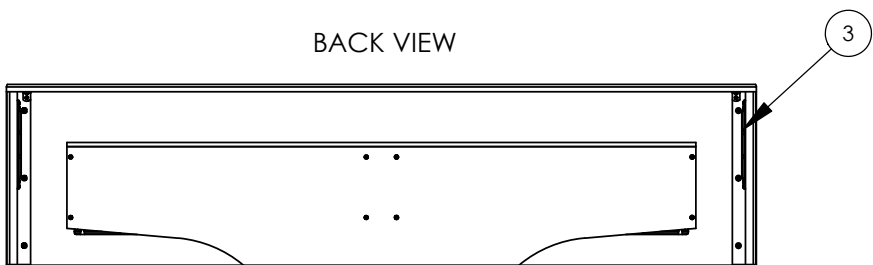
***-USE DRAWER ASSEMBLY BEFORE 1/5/2019

***-USE DRAWER ASSEMBLY B AFTER 1/5/2019


Dwg#: 34931			
Scale: 1:20		TOLERANCES ARE: METRIC:.....+ .5 / - .5mm DECIMAL:.....0 / - .005" FRACTIONAL:.....+0 / -1/32" (UNLESS OTHERWISE SPECIFIED)	
Date: 6/20/2017		Desc: Footboard Storage	
Rev.	Description	Date	Cad/Eng
A	CHANGED DRAWER ASSEMBLY	12/13/2018	BM

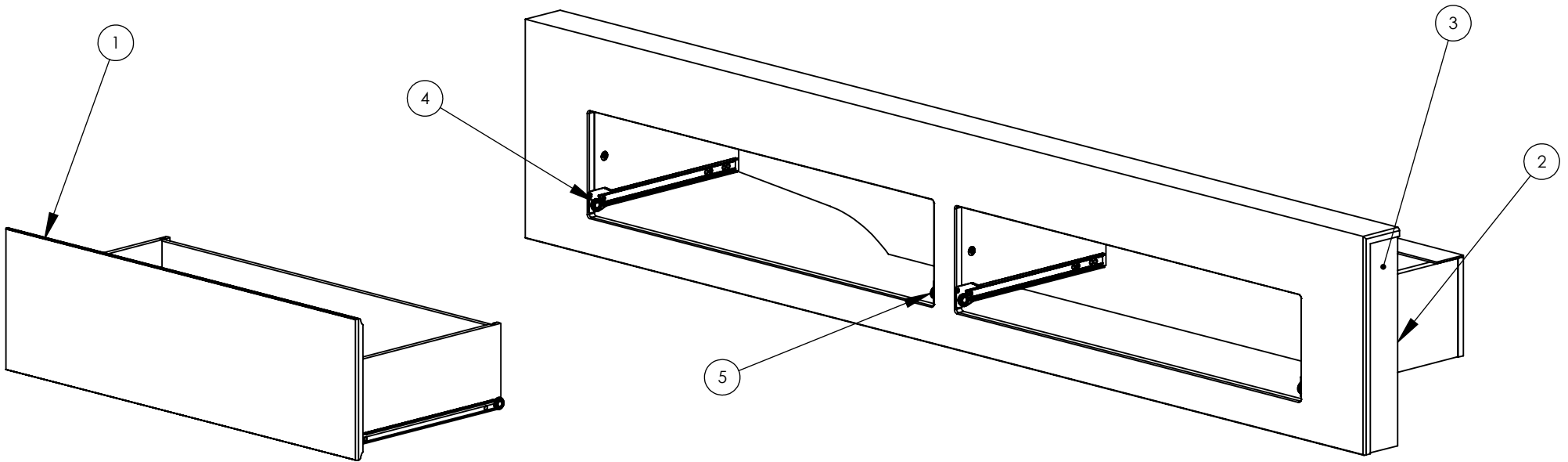


BACK VIEW




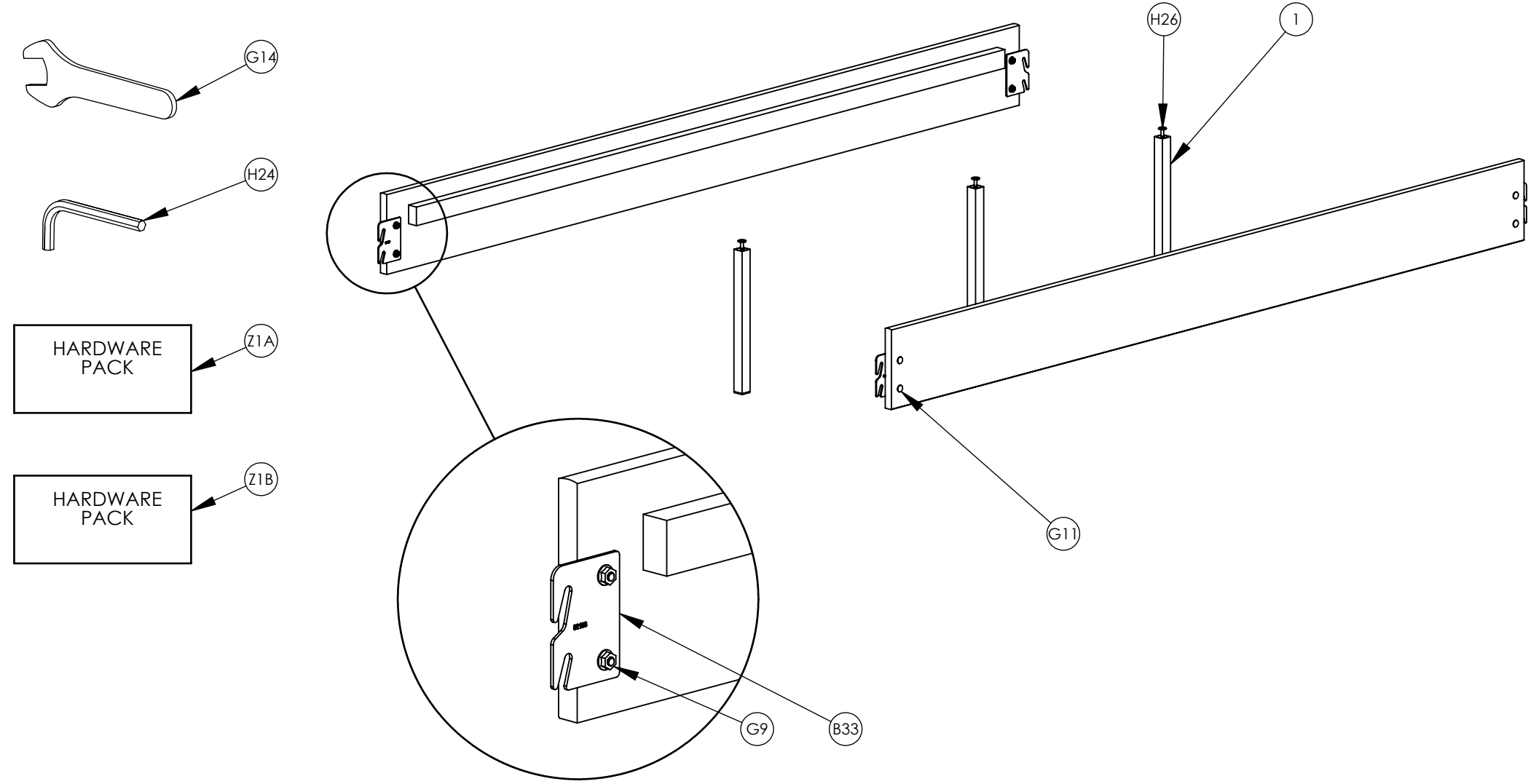
Item #	Qty	Description	Material
1	2	DRAWER KIT	WOOD/METAL
2	2	MTR VERT RAIL	WOOD
3	2	MTR BEDPOST BRACKET	METAL
4	2	LEFT DRAWER GLIDE	METAL
5	2	RIGHT DRAWER GLIDE	METAL

Dwg#: 34932			
Scale: 1:20	TOLERANCES ARE: METRIC..... +.5 / -.5mm DECIMAL..... 0 / -.005" FRACTIONAL..... +0 / -1/32" (UNLESS OTHERWISE SPECIFIED)		
Date: 4/13/2015	Desc: Footboard Storage		
Rev.	Description	Date	Cad/Eng




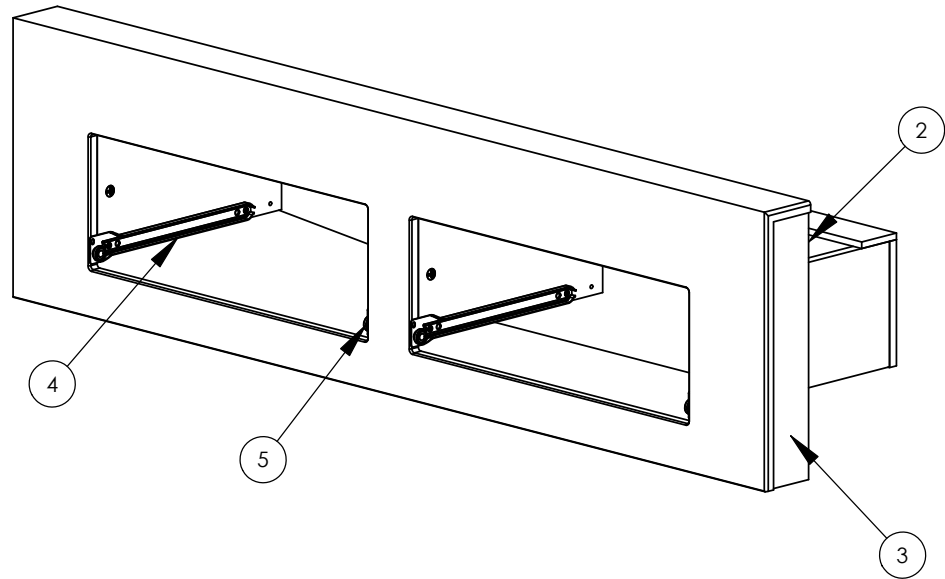
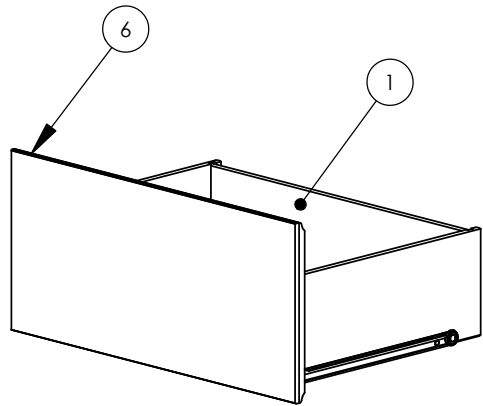
Item#	Qty	Description	MATERIAL
1	3	METAL CENTER SUPPORT 325MM	METAL
B33	4	(B33) METAL BOLT ON BED HOOK	METAL
G11	8	(G11) 1/4-20 X 1 1/8 CAR BOLT	METAL
G14	1	(G14) 7/16 METAL WRENCH	METAL
G9	8	(G9) 1/4-20 SERRATED FLANGE NUT	METAL
H24	1	(H24) ALLEN WRENCH	METAL
H26	3	(H26) 1/4-20X45MM JOINT CONNECTOR	METAL
Z1A	1	(Z1A) BED RAIL BOLT PACK (8-CB)	METAL
Z1B	1	(Z1B) HARDWARE PACK	METAL

Dwg#: 34936			
Scale: 1:10	TOLERANCES ARE: METRIC..... +.5 / -.5mm DECIMAL..... 0 / -.005" FRACTIONAL..... +0 / -.1/32" (UNLESS OTHERWISE SPECIFIED)		
Date: 9/27/2011	Desc: Qn-Kg Bed Rails (325) CS		
Rev.	Description	Date	Cad/Eng




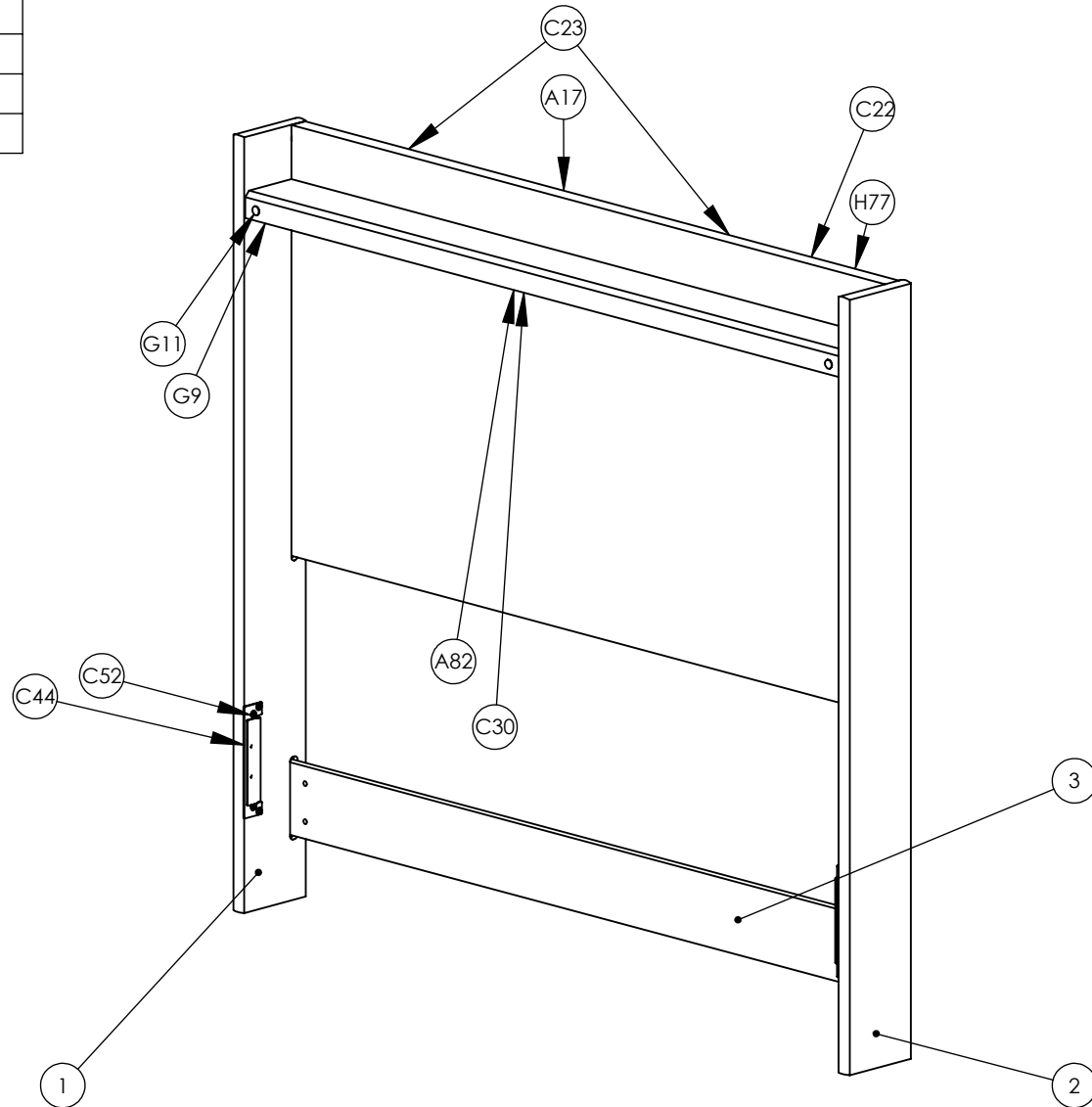
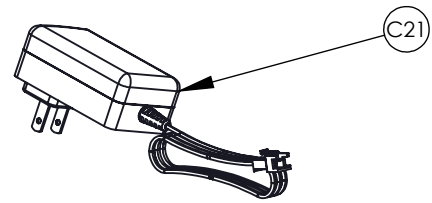
Item #	Qty	Description	Material
1	2	DRAWER ASSEMBLY	WOOD/METAL
2	2	MTR VERT RAIL	WOOD
3	2	MTR BEDPOST BRACKET	METAL
4	2	LF CABINET GLIDE	METAL,PLASTIC
5	2	RT CABINET GLIDE	METAL,PLASTIC
6	4	FELT PAD	FIBER

Dwg#: 35183			
Scale: 1:20		TOLERANCES ARE: METRIC:..... +.5 / -.5mm DECIMAL:..... 0 / -.005" FRACTIONAL:..... +0 / -1/32" (UNLESS OTHERWISE SPECIFIED)	
Date: 8/10/2018		Desc: Footboard Storage	
Rev.	Description	Date	Cad/Eng




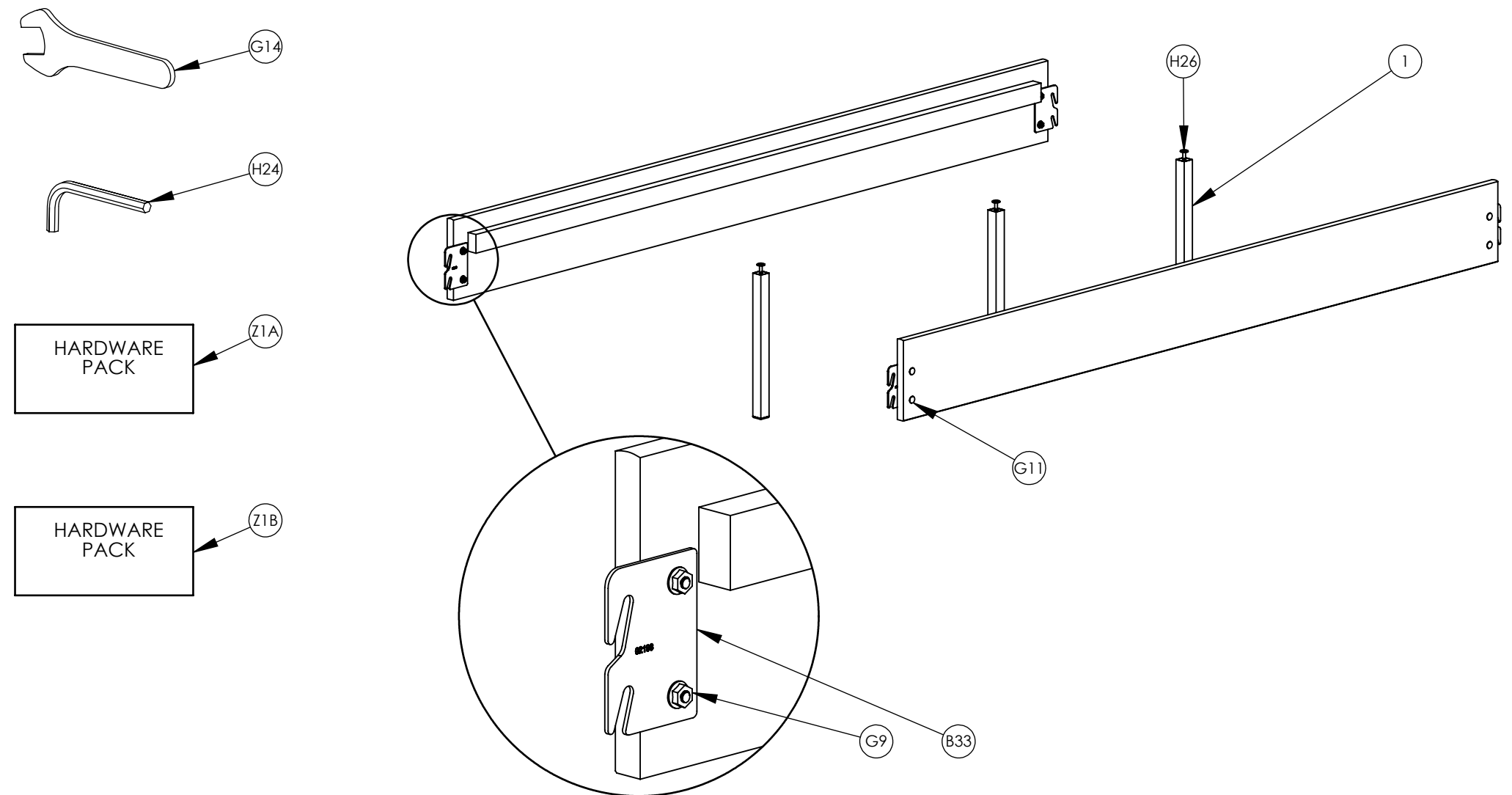
Item#	Qty	Description	MATERIAL
1	1	LEFT LEG	WOOD
2	1	RIGHT LEG	WOOD
3	1	HEADBOARD SUP RAIL	WOOD
A17	1	(A17) PLASTIC 6" WIRE CABLE TIE	PLASTIC
A82	3	(A82) LED SUPPORT PIN CLIP	PLASTIC
C21	1	(C21) LED POWER SOURCE	PLASTIC/METAL
C22	1	(C22) LED TOUCH JUNCTION BOX	PLASTIC/METAL
C23	2	(C23) LED TOUCH CABLE LEAD 950	PLASTIC/METAL
C30	1	(C30) LED LIGHT STRIP 1300	PLASTIC/METAL
C44	2	(C44) MITERED BEDPOST BRACKET	METAL
C52	8	(C52) 8 X 7/8 WH SCREW	METAL
G11	2	(G11) 1/4-20 X 1 1/8 CARRIAGE BOLT	METAL
G9	2	(G9) 1/4-20 SERRATED FLANGE NUT	METAL
H77	3	(H77) 8 X 5/8 PH SCREW	METAL

Dwg#: 35184			
Scale: 1:10	TOLERANCES ARE: METRIC: +.5 / -.5mm DECIMAL: 0 / -.005" FRACTIONAL: +0 / -1/32" (UNLESS OTHERWISE SPECIFIED)		
Date: 8/15/2018	Desc: Headboard CS		
Rev.	Description	Date	Cad/Eng




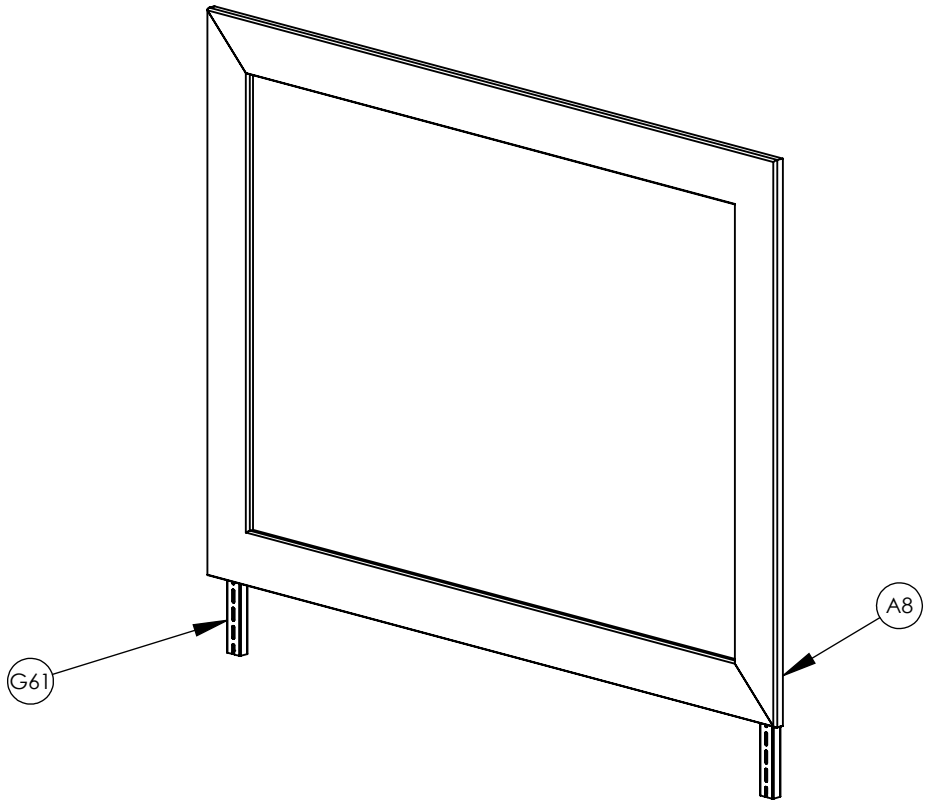
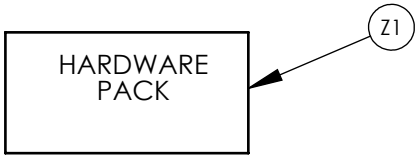
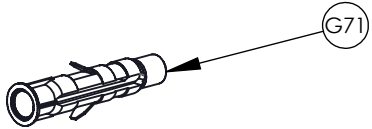
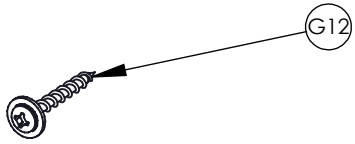
Item#	Qty	Description	MATERIAL
1	3	METAL CENTER SUPPORT 325MM	METAL
B33	4	(B33) METAL BOLT ON BED HOOK	METAL
G11	8	(G11) 1/4-20 X 1 1/8 CAR BOLT	METAL
G14	1	(G14) 7/16 METAL WRENCH	METAL
G9	8	(G9) 1/4-20 SERRATED FLANGE NUT	METAL
H24	1	(H24) ALLEN WRENCH	METAL
H26	3	(H26) 1/2-20X45MM JOINT CONNECTOR	METAL
Z1A	1	(Z1A) BED RAIL BOLT PACK (8-CB)	METAL
Z1B	1	(Z1B) HARDWARE PACK	METAL

Dwg#: 35185			
Scale: 1:10		TOLERANCES ARE: METRIC..... +.5 / -.5mm DECIMAL..... 0 / -.005" FRACTIONAL..... +0 / -.1/32" (UNLESS OTHERWISE SPECIFIED)	
Date: 8/21/2018			
Desc: Tw-Fl Bed Rails (325) CS			
Rev.	Description	Date	Cad/Eng



Item#	Qty	Description	MATERIAL
A8	4	(A8) 8 X 5/8 PH SCREW	METAL
G12	4	(G12) 8 X 1 1/4 WH SCREW	METAL
G61	2	(G61) METAL MIRROR BRACKET	METAL
G71	4	(G71) PLASTIC DRYWALL ANCHOR	PLASTIC
Z1	1	(Z1) HARDWARE PACK	METAL,PLASTIC

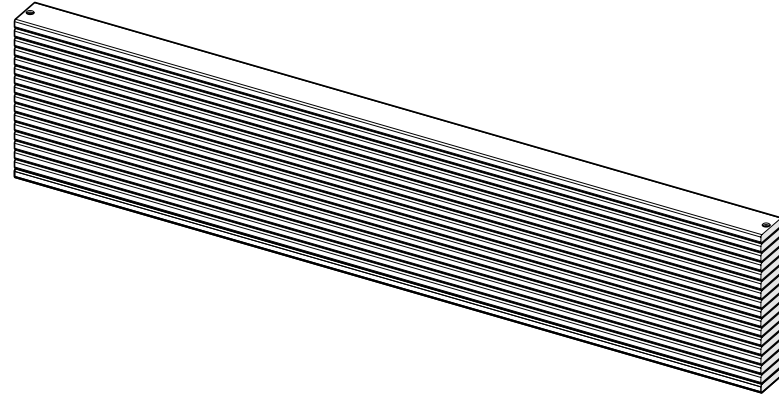
Dwg#: 35327			
Scale: 1:10		TOLERANCES ARE: METRIC:..... +.5 / -.5mm DECIMAL:..... 0 / -.005" FRACTIONAL:..... +0 / -1/32" (UNLESS OTHERWISE SPECIFIED)	
Date: 10/16/2019		Desc: Mirror CS	
Rev.	Description	Date	Cad/Eng



Assembly instructions for:

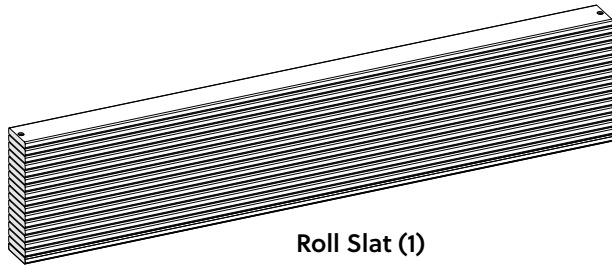
Full Roll Slat System

Part # 141635 (12/22/22)

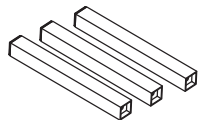


Life doesn't come with instructions, but this does

COMPONENTS



Components needed from your bed rail box:



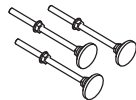
Support Legs (3)



H26 (3)



H24



Optional High Position Extensions (3)

HARDWARE



This bag contains small parts that present a choking hazard for children under 3 years of age. These parts are for adult assembly only and should be permanently affixed to the furniture. Any unused parts should be discarded properly.

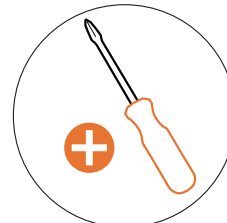
Esta bolsa contiene piezas pequeñas que presentan un peligro de asfixia. para niños menores de 3 años. Estas piezas son para adultos. montaje solamente y debe fijarse permanentemente a la muebles. Las piezas no utilizadas deben desecharse correctamente.

Ce sac contient de petites pièces qui présentent un risque d'étouffement pour les enfants de moins de 3 ans. Ces pièces sont pour adultes montage uniquement et doit être fixé de façon permanente au meubles. Toutes les pièces inutilisées doivent être jetées correctement.

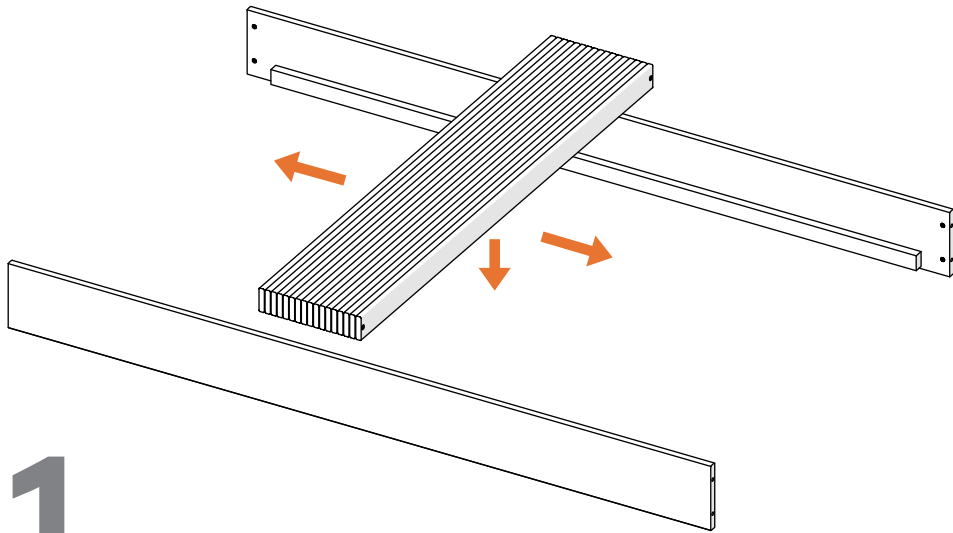
Deze tas bevat kleine onderdelen die verstikkingsgevaar opleveren voor kinderen onder de 3 jaar. Deze onderdelen zijn voor volwassen montage alleen en moet permanent worden bevestigd aan de meubilair. Alle ongebruikte onderdelen moeten op de juiste manier worden weggegooid.



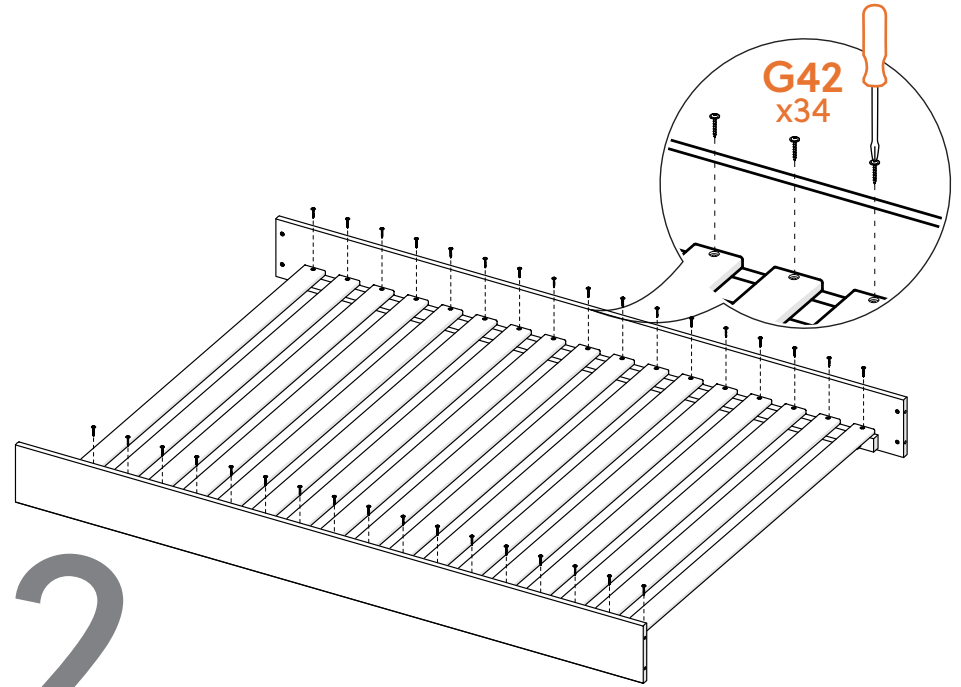
BUST OUT



REQUIRED TOOL

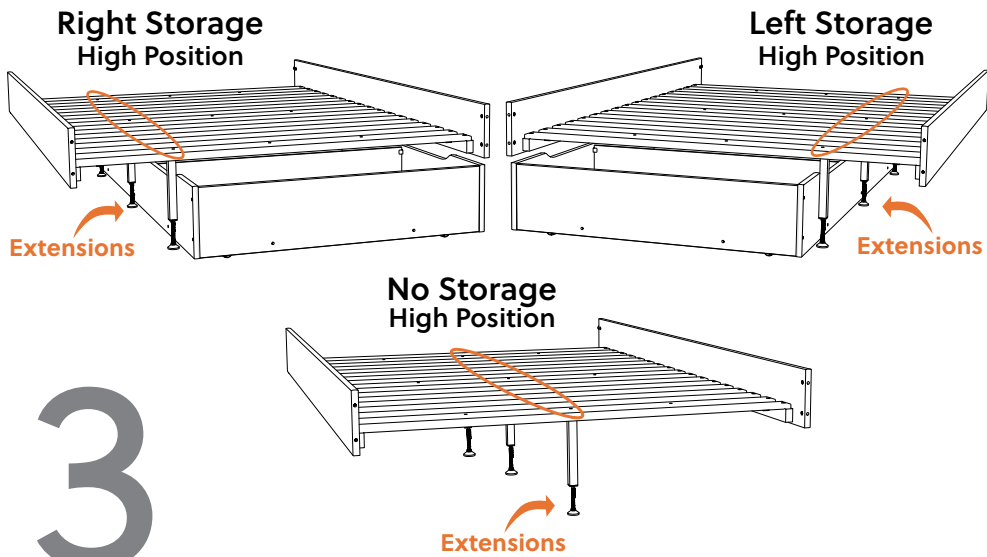


1



2

Choose your Scenario



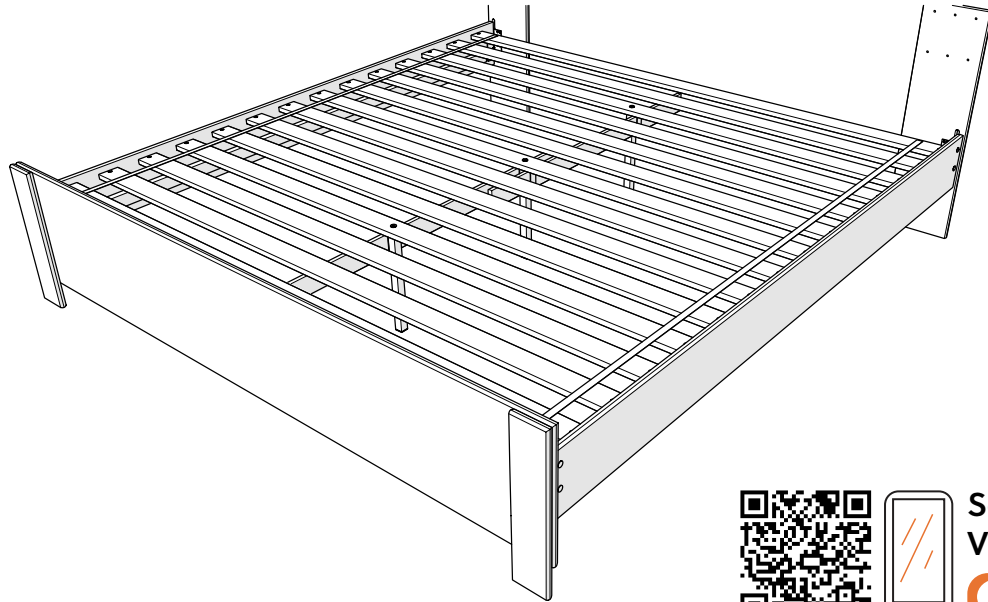
3



4

Assembly instructions for: Bed Rails

Part # 144544 (2/18/25)



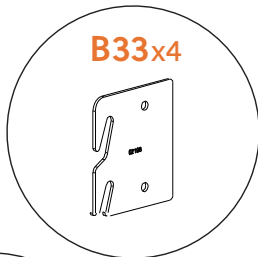
Life doesn't come with instructions, but this does



Scan Code for Video Tutorial

WATCH NOW

HARDWARE



BUST OUT



This bag contains small parts that present a choking hazard for children under 3 years of age. These parts are for adult assembly only and should be permanently affixed to the furniture. Any unused parts should be discarded properly.

Esta bolsa contiene piezas pequeñas que presentan un peligro de asfixia, para niños menores de 3 años. Estas piezas son para adultos, montaje solamente y debe fijarse permanentemente a la muebles. Las piezas no utilizadas deben desecharse correctamente.

REQUIRED TOOL

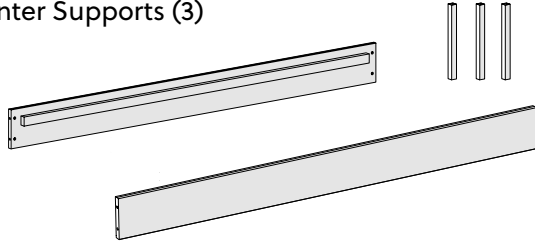


Ce sac contient de petites pièces qui présentent un risque d'étouffement pour les enfants de moins de 3 ans. Ces pièces sont pour adultes montage uniquement et doit être fixé de façon permanente au meubles. Toutes les pièces inutilisées doivent être jetées correctement.

Deze tas bevat kleine onderdelen die verstikkingsgevaar opleveren voor kinderen onder de 3 jaar. Deze onderdelen zijn voor volwassen montage alleen en moet permanent worden bevestigd aan de meubilair. Alle ongebruikte onderdelen moeten op de juiste manier worden weggegooid.

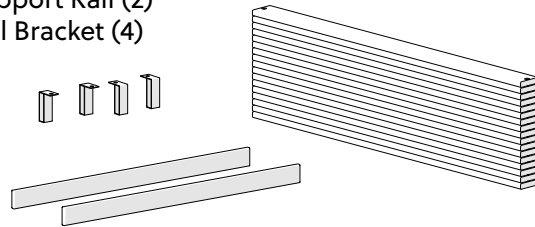
Side Rail Box

- Side Rails (2)
- Center Supports (3)

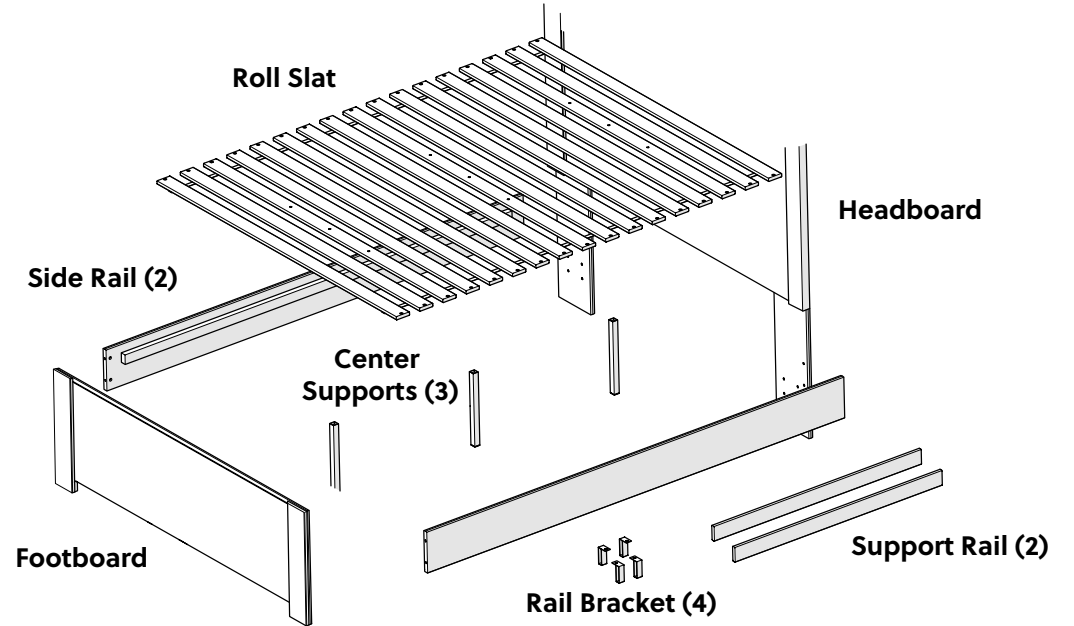


Roll Slat Box

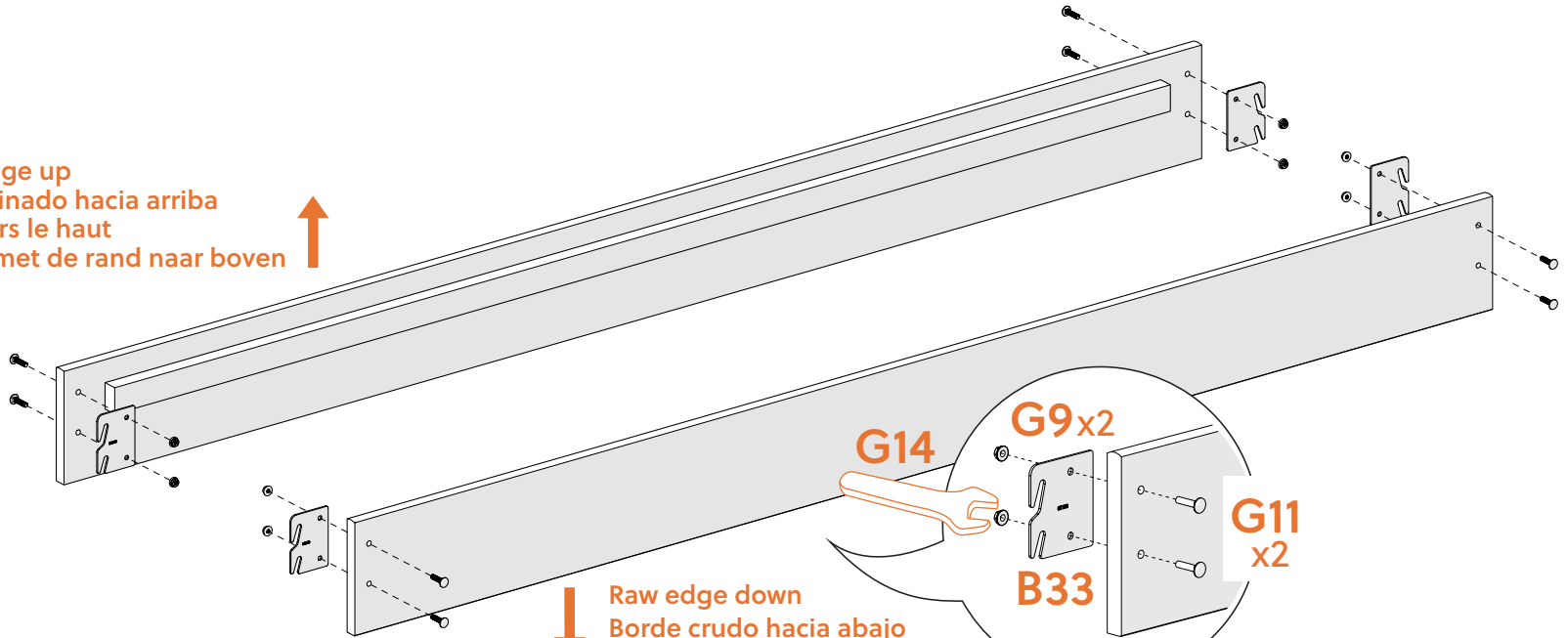
- Slat Roll
- Support Rail (2)
- Rail Bracket (4)



COMPONENTS



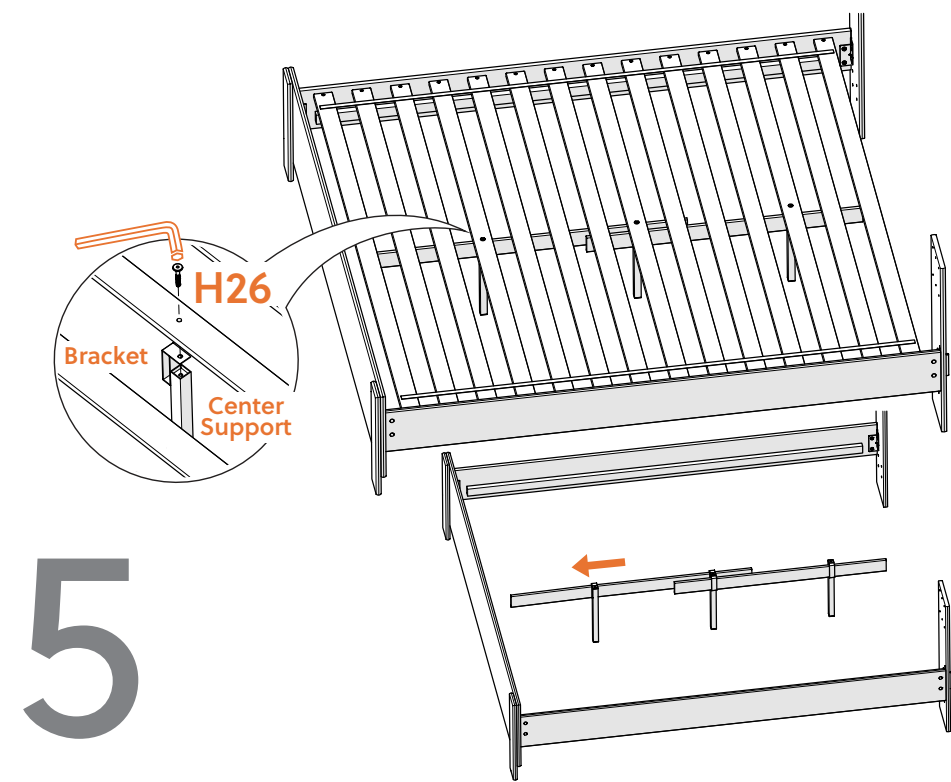
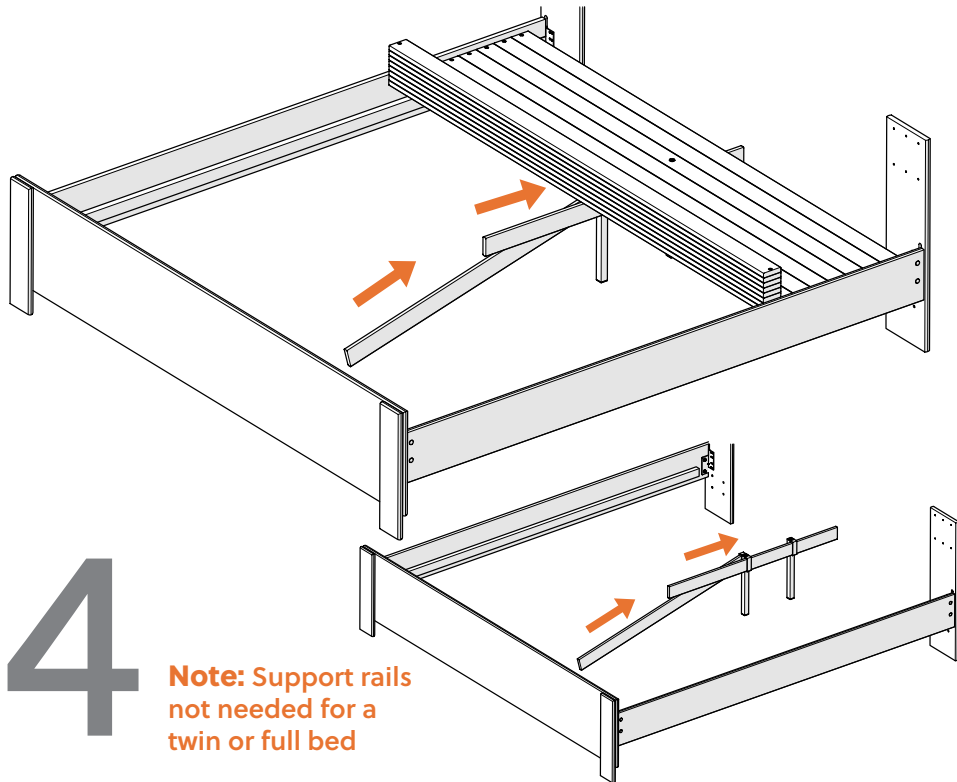
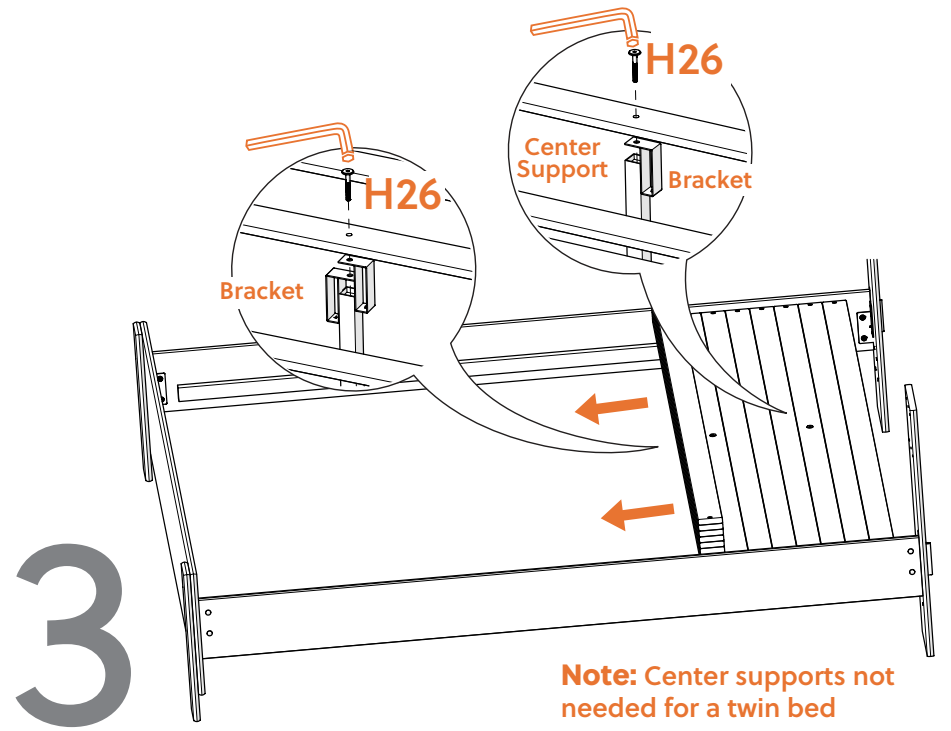
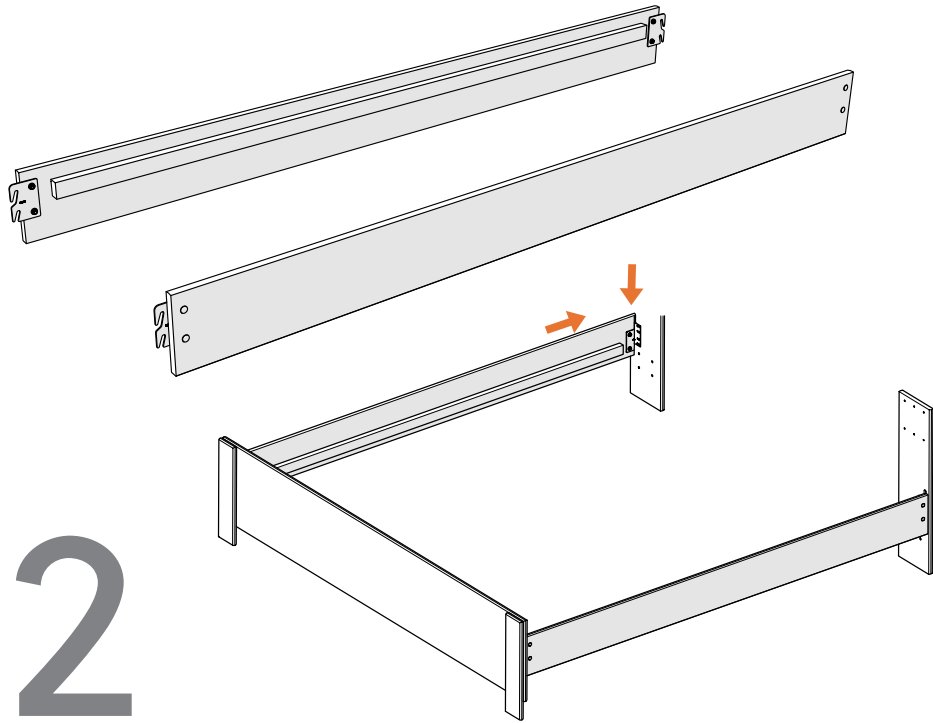
Finished edge up
Borde terminado hacia arriba
Bord fini vers le haut
Afgewerkt met de rand naar boven

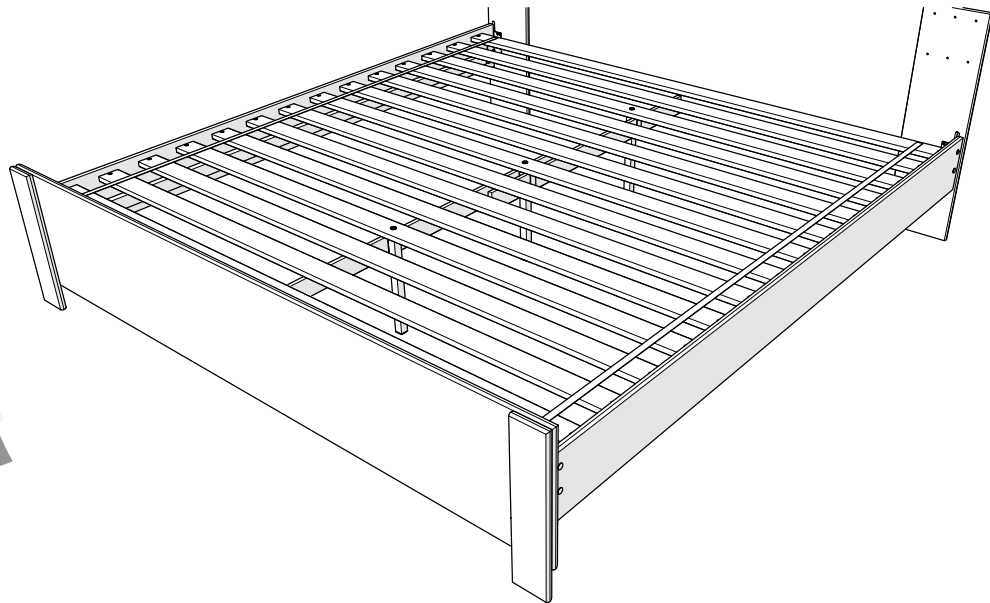
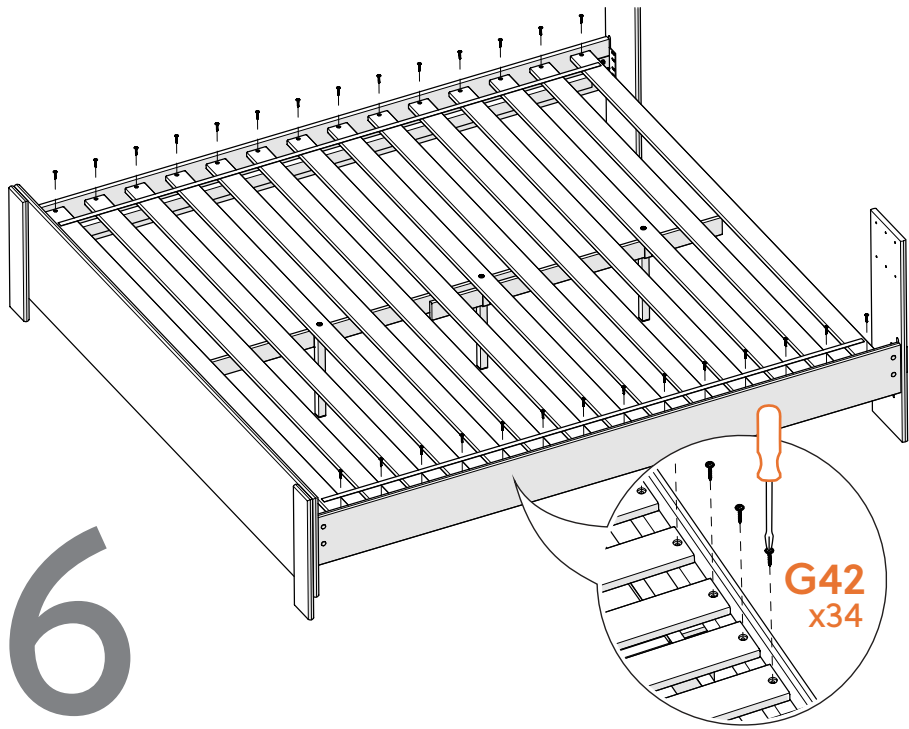


Raw edge down
Borde crudo hacia abajo
Bord brut vers le bas
Ruwe rand naar beneden



1

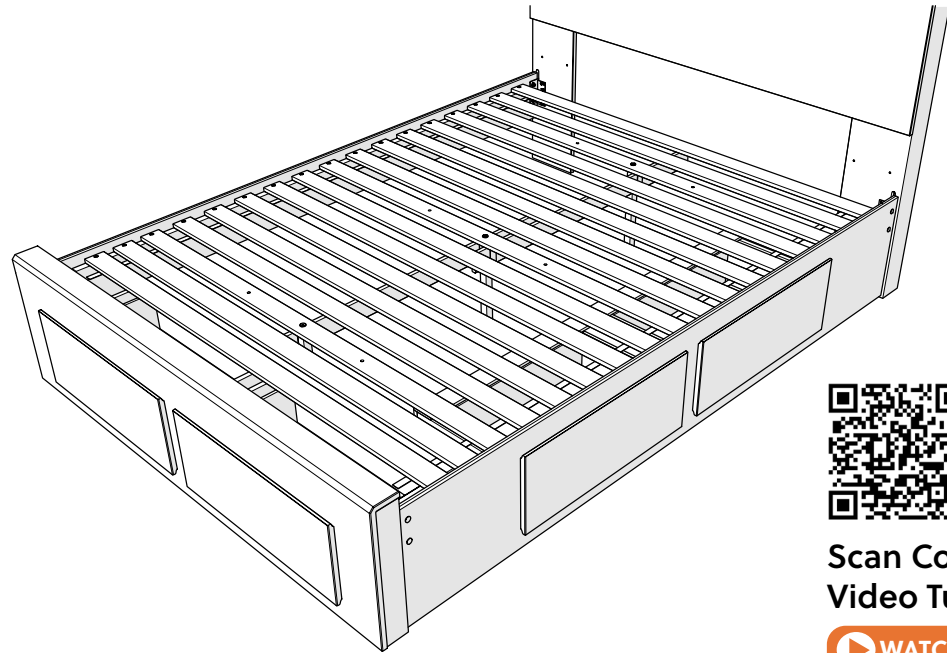




Assembly instructions for:

Underbed Storage

Part # 153557 (03/05/25)



Scan Code for Video Tutorial

[WATCH NOW](#)

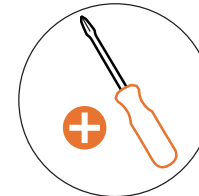


Life doesn't come with instructions, but this does

HARDWARE



BUST OUT



This bag contains small parts that present a choking hazard for children under 3 years of age. These parts are for adult assembly only and should be permanently affixed to the furniture. Any unused parts should be discarded properly.

Esta bolsa contiene piezas pequeñas que presentan un peligro de asfixia. para niños menores de 3 años. Estas piezas son para adultos. montaje solamente y debe fijarse permanentemente a la muebles. Las piezas no utilizadas deben desecharse correctamente.

REQUIRED TOOL

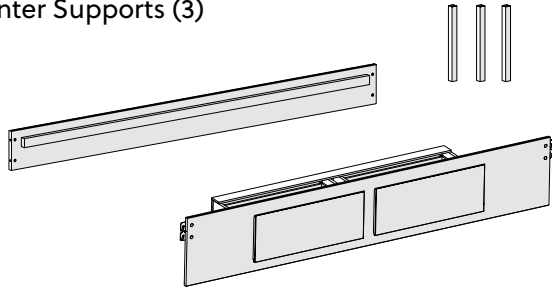


Ce sac contient de petites pièces qui présentent un risque d'étouffement pour les enfants de moins de 3 ans. Ces pièces sont pour adultes montage uniquement et doit être fixé de façon permanente au meubles. Toutes les pièces inutilisées doivent être jetées correctement.

Deze tas bevat kleine onderdelen die verstikkingsgevaar opleveren voor kinderen onder de 3 jaar. Deze onderdelen zijn voor volwassen montage alleen en moet permanent worden bevestigd aan de meubilair. Alle ongebruikte onderdelen moeten op de juiste manier worden weggegooid.

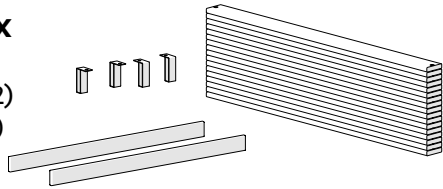
Underbed Storage/Side Rail Box

- Underbed Storage Unit
- Side Rails (2)
- Center Supports (3)

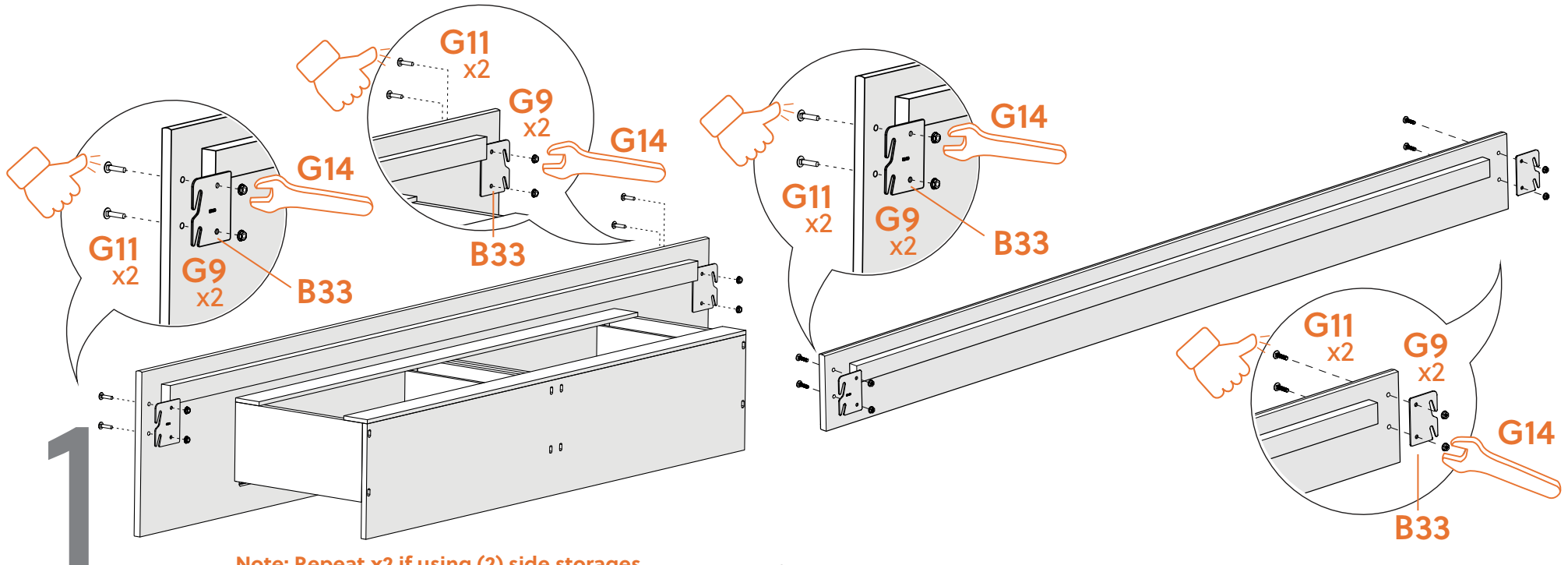
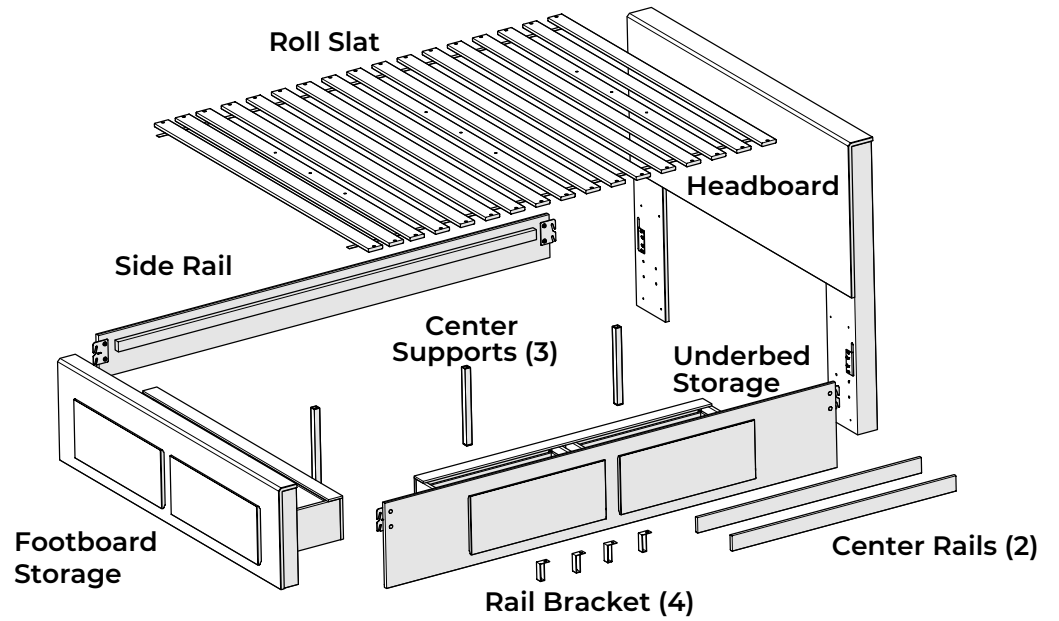


Roll Slat Box

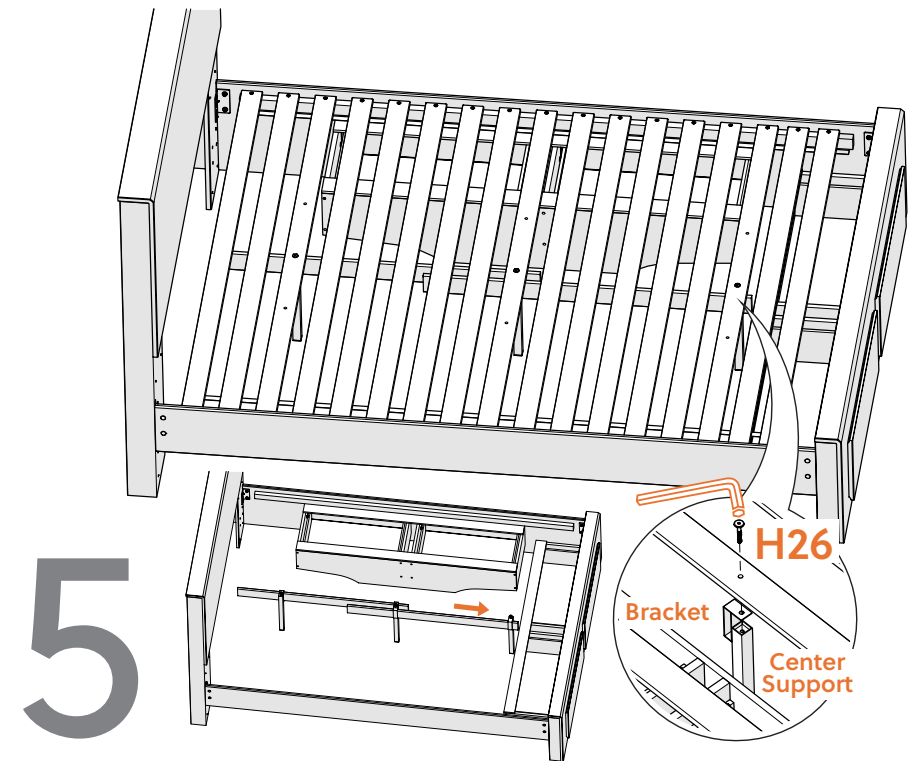
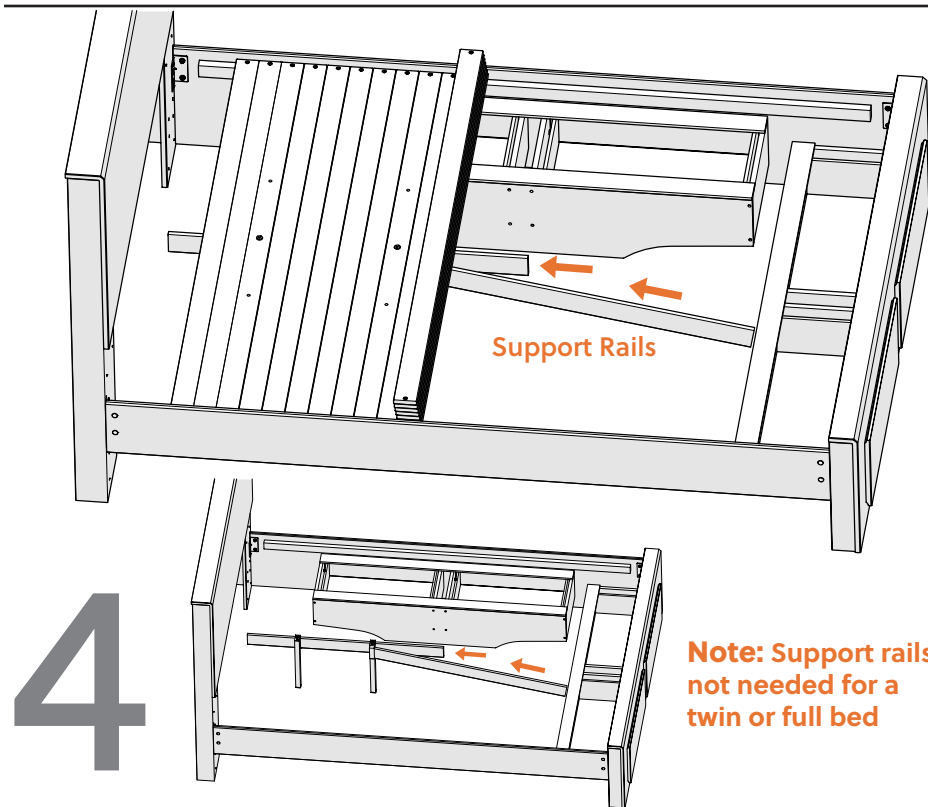
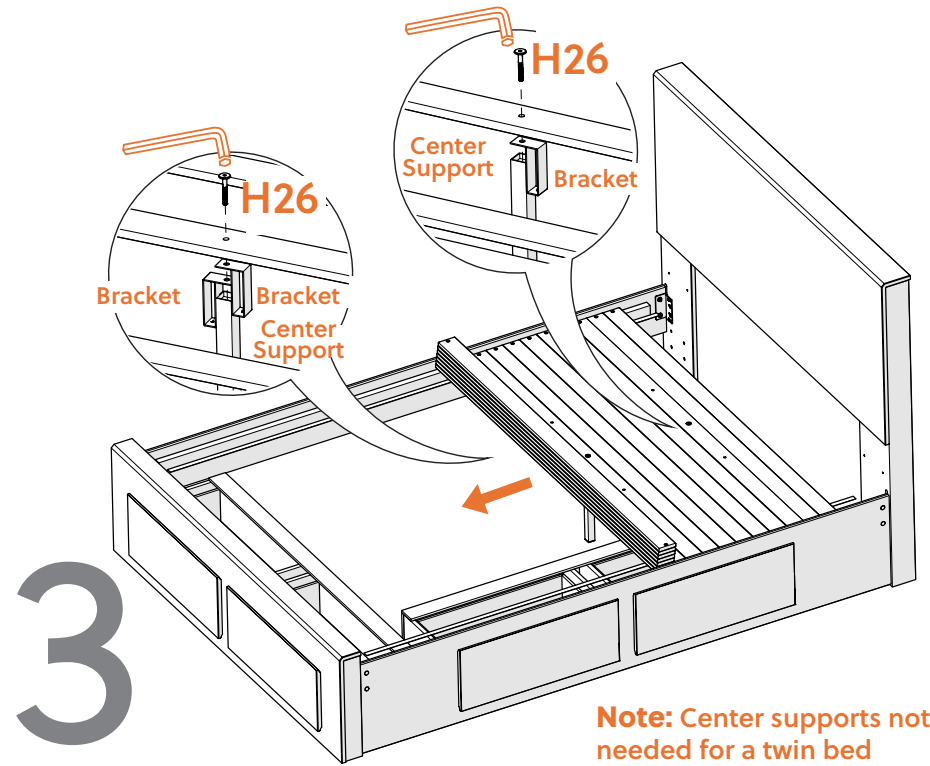
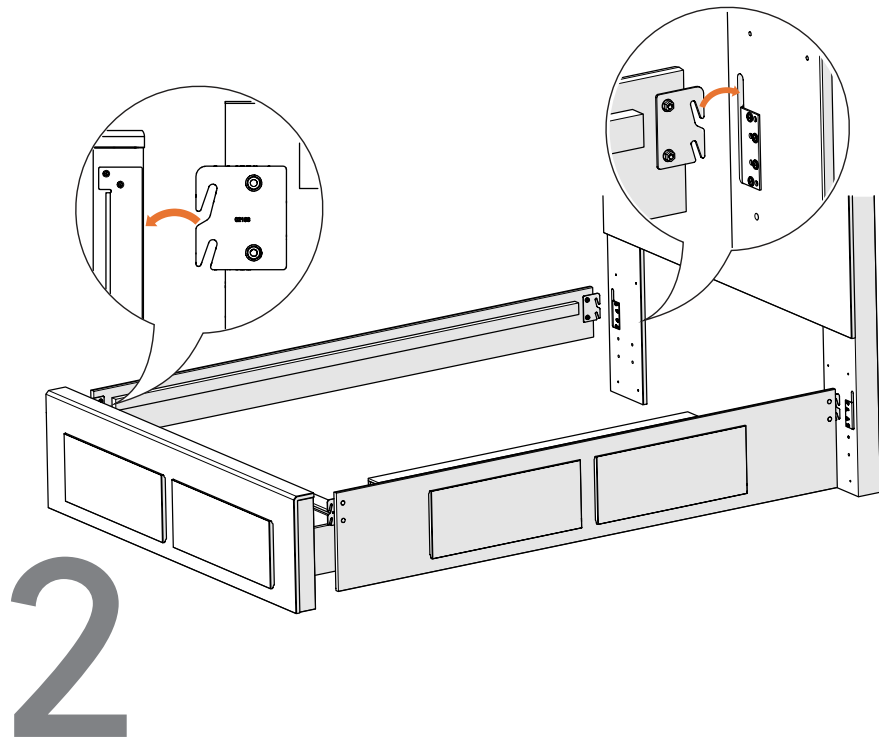
- Slat Roll
- Support Rail (2)
- Rail Bracket (4)

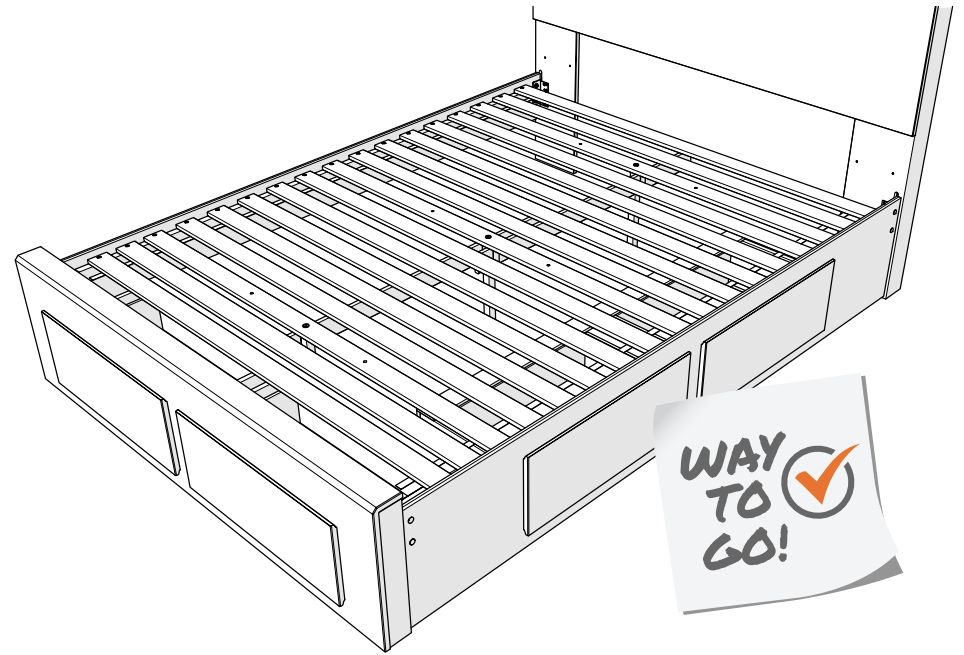
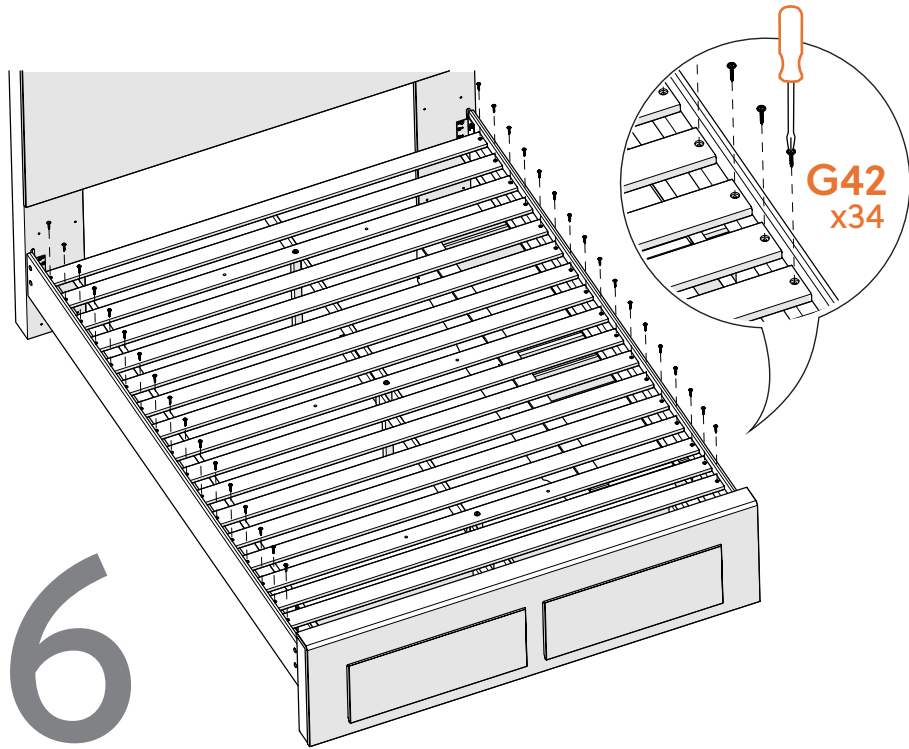


COMPONENTS



Note: Repeat x2 if using (2) side storages

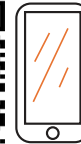
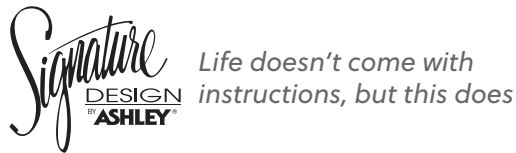
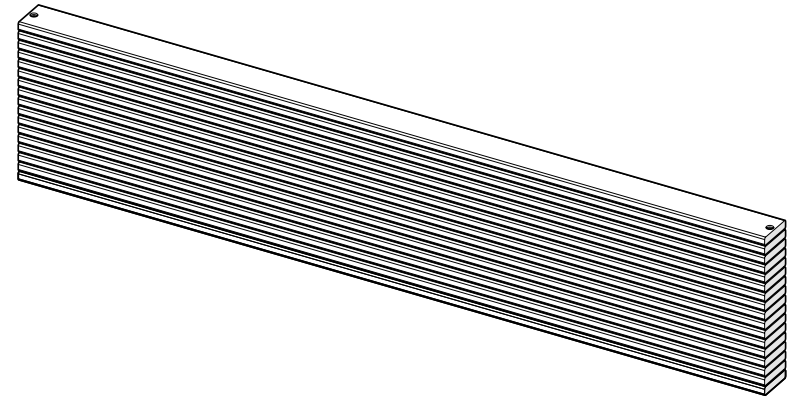




Assembly instructions for:

Queen/King Roll Slat System

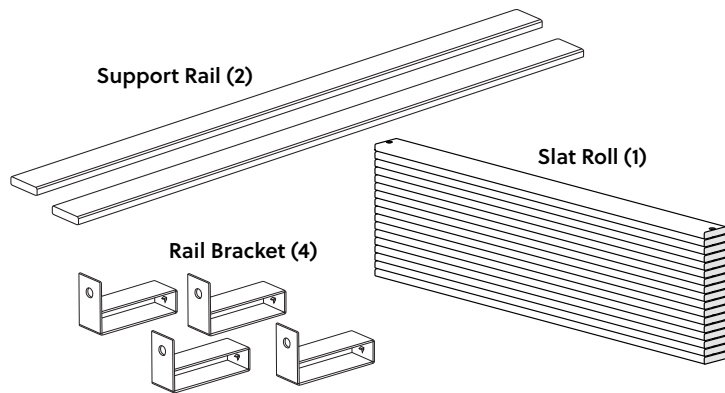
Part # 190663 (09/05/24)



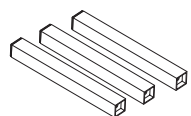
Scan Code for
Video Tutorial

WATCH NOW

COMPONENTS



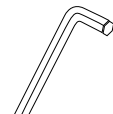
Components needed from your bed rail box:



Support Legs (3)



H26 (3)



H24

HARDWARE



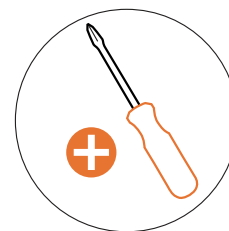
This bag contains small parts that present a choking hazard for children under 3 years of age. These parts are for adult assembly only and should be permanently affixed to the furniture. Any unused parts should be discarded properly.

Esta bolsa contiene piezas pequeñas que presentan un peligro de asfixia para niños menores de 3 años. Estas piezas son para adultos. El montaje solamente y debe fijarse permanentemente a los muebles. Las piezas no utilizadas deben desecharse correctamente.

Ce sac contient de petites pièces qui présentent un risque d'étouffement pour les enfants de moins de 3 ans. Ces pièces sont pour adultes montage uniquement et doit être fixé de façon permanente au meubler. Toutes les pièces inutilisées doivent être jetées correctement.

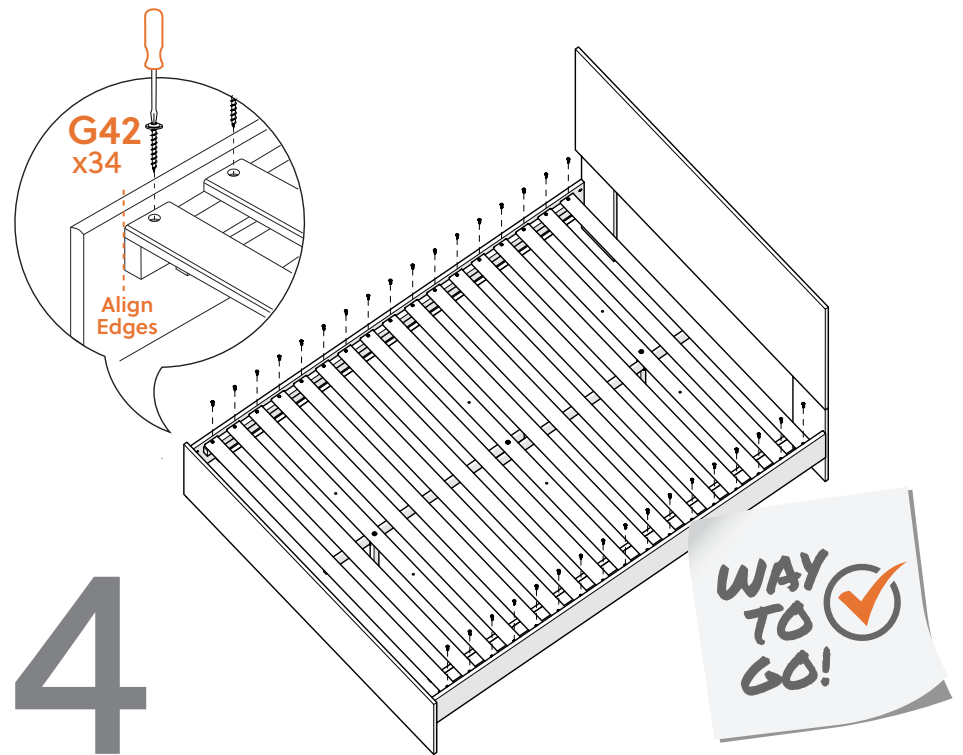
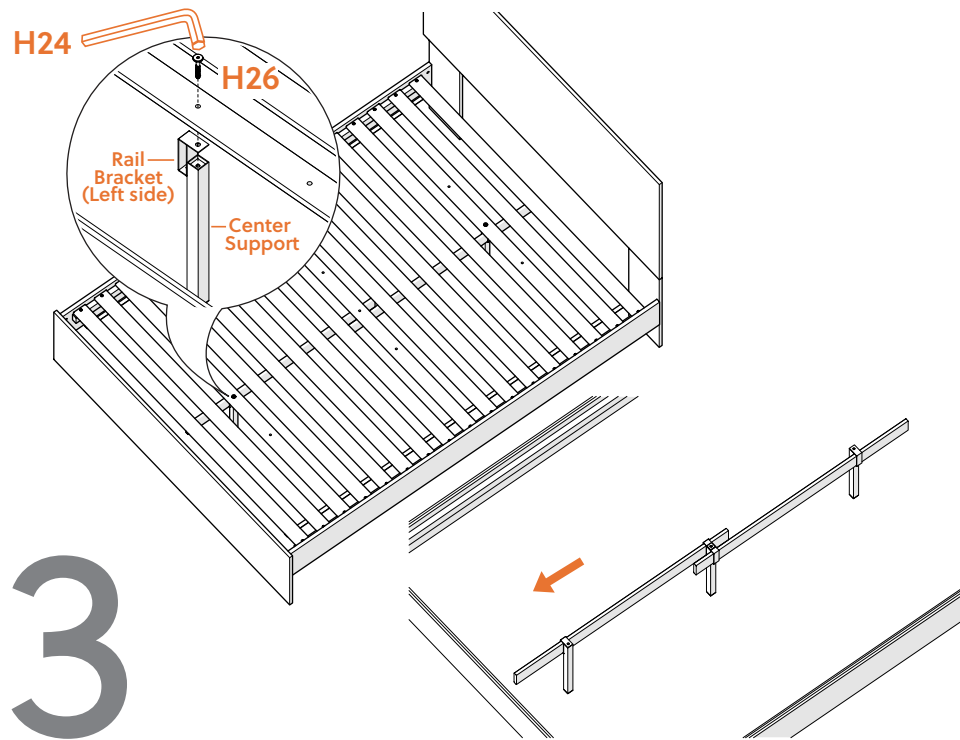
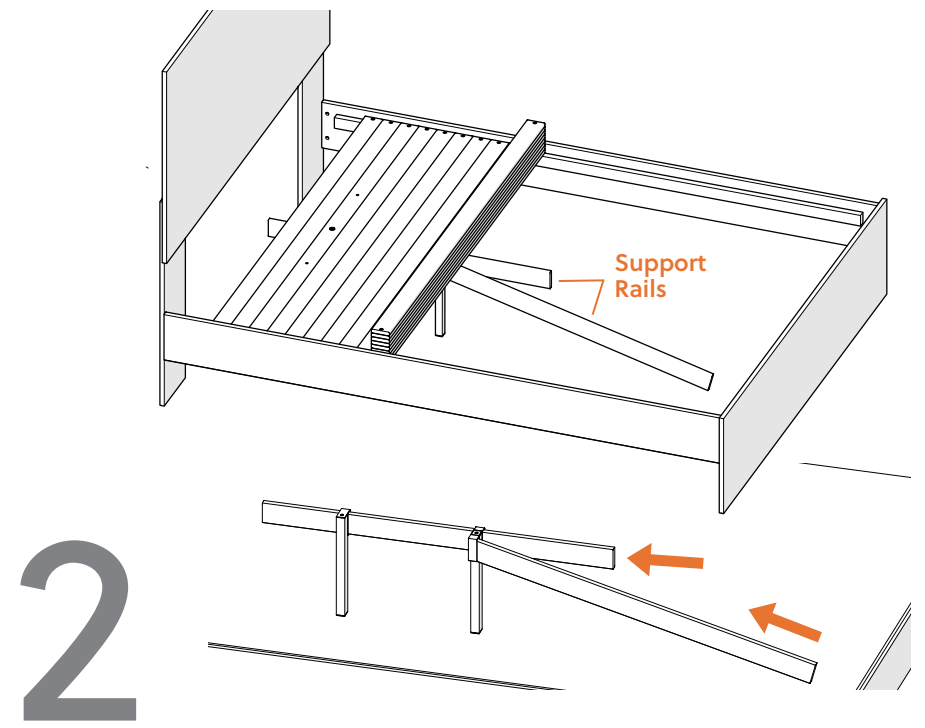
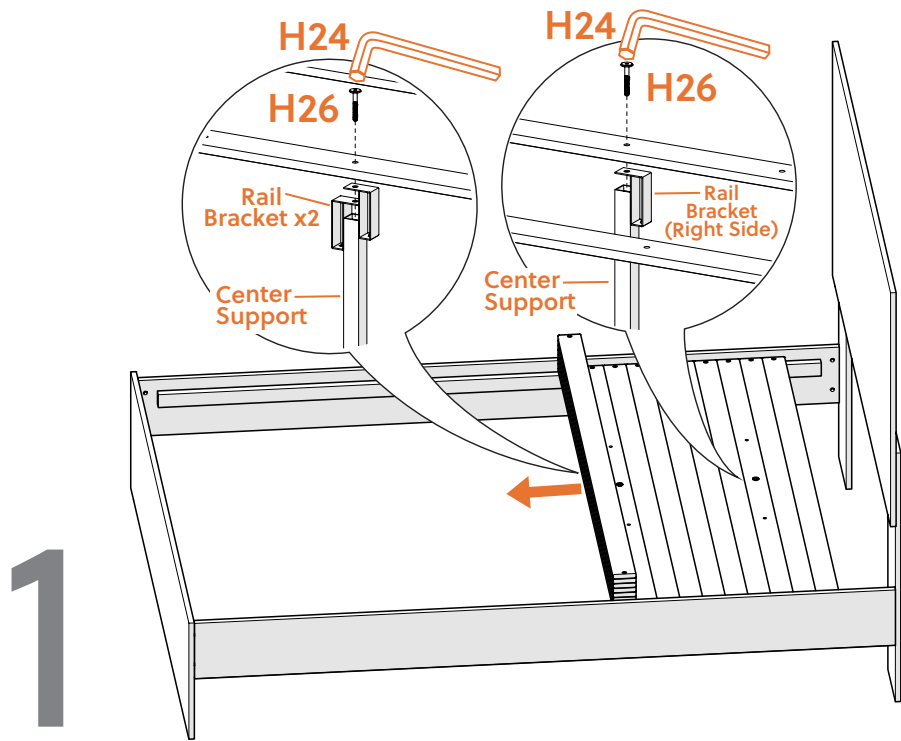
Deze tas bevat kleine onderdelen die verstikkingsgevaar opleveren voor kinderen onder de 3 jaar. Deze onderdelen zijn voor volwassen montage alleen en moet permanent worden bevestigd aan de meubilair. Alle ongebruikte onderdelen moeten op de juiste manier worden weggegooid.

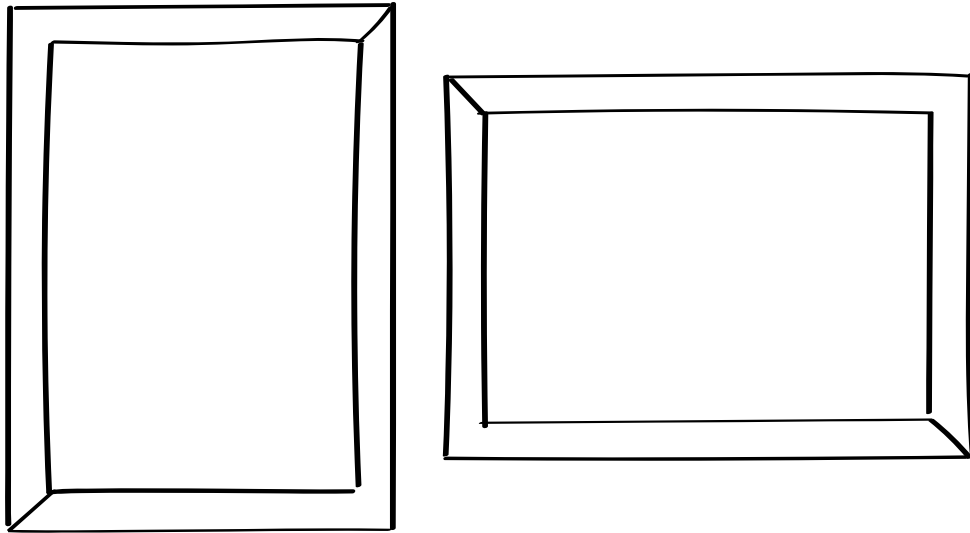
BUST OUT



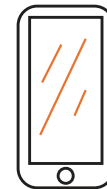
1

REQUIRED TOOL





Assembly instructions for:
The Mirror



Scan Code for
Video Tutorial

[WATCH NOW](#)



*Life doesn't come with
instructions, but this does*

Part # 10020307 (06/05/24)

HEADS UP

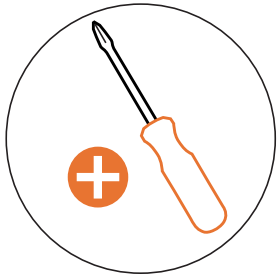


| TIME

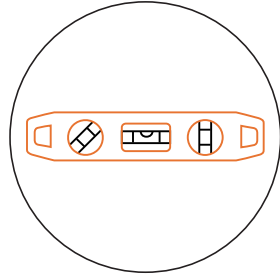


| EFFORT SCALE
(you've got this)

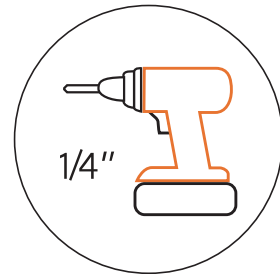
BUST OUT



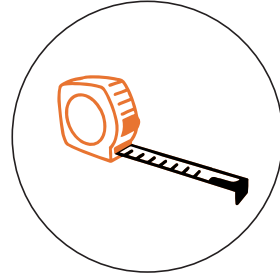
| REQUIRED TOOL



| RECOMMENDED
TOOL



| RECOMMENDED
TOOL

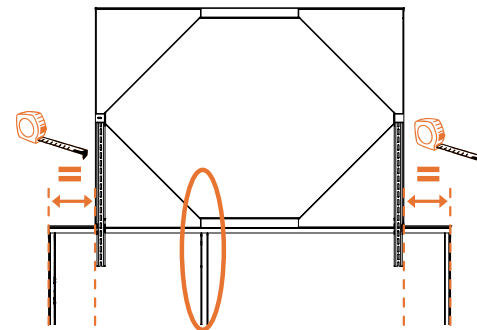
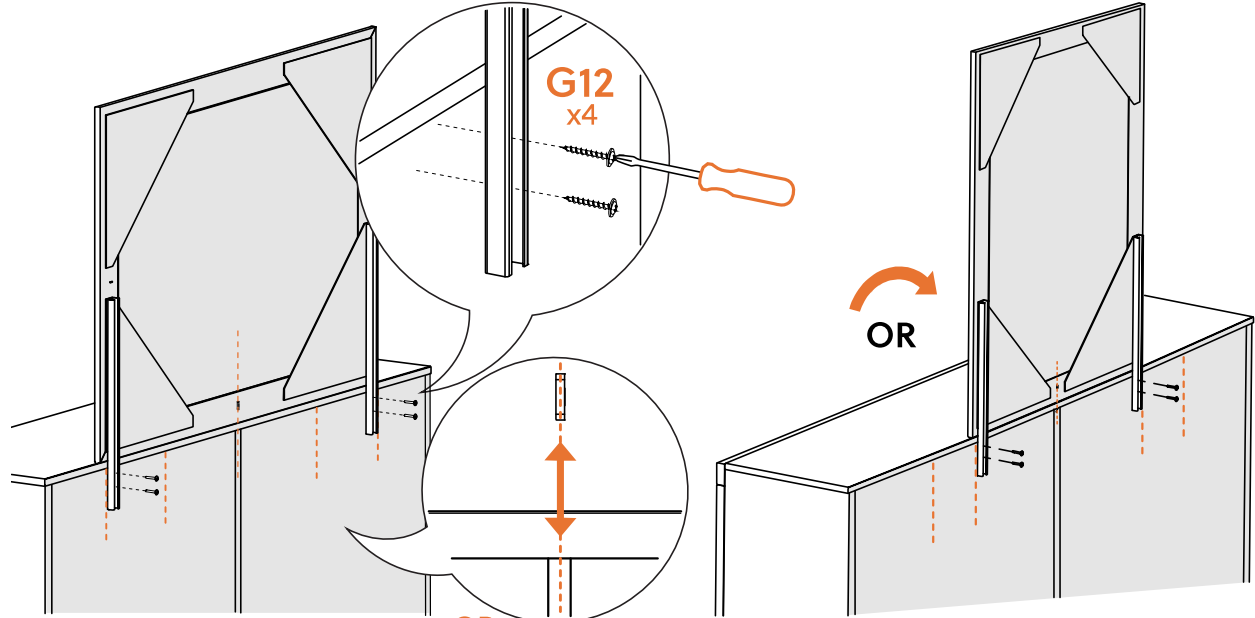
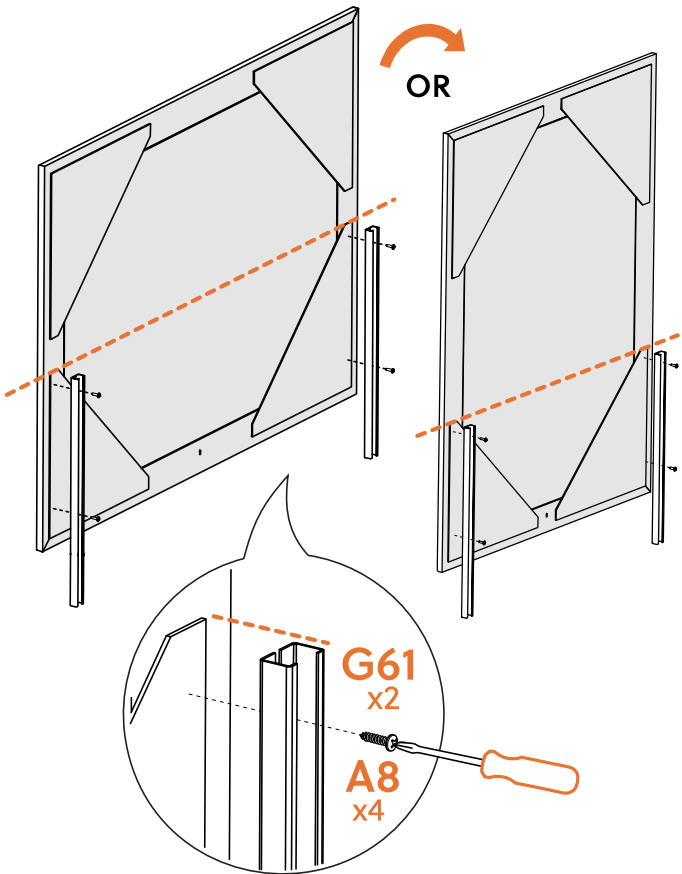
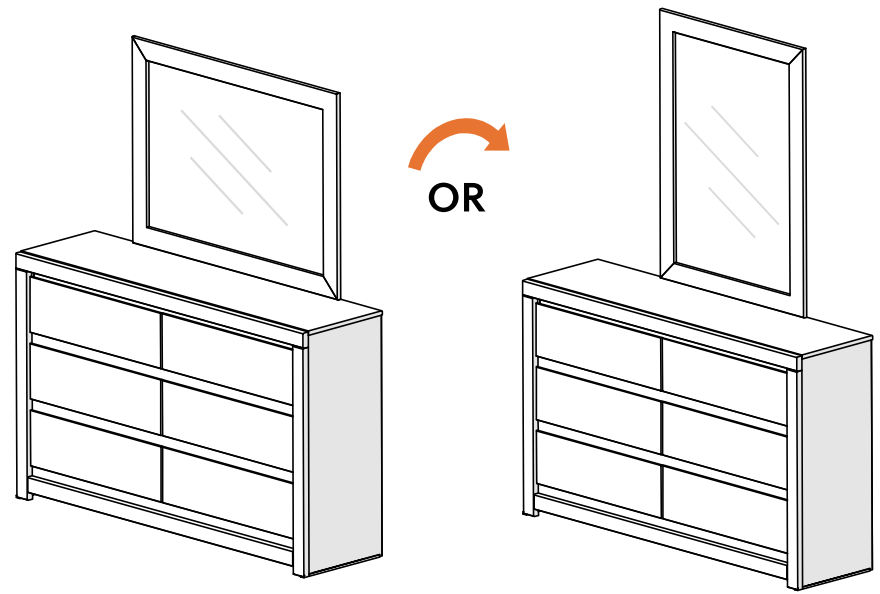


| RECOMMENDED
TOOL

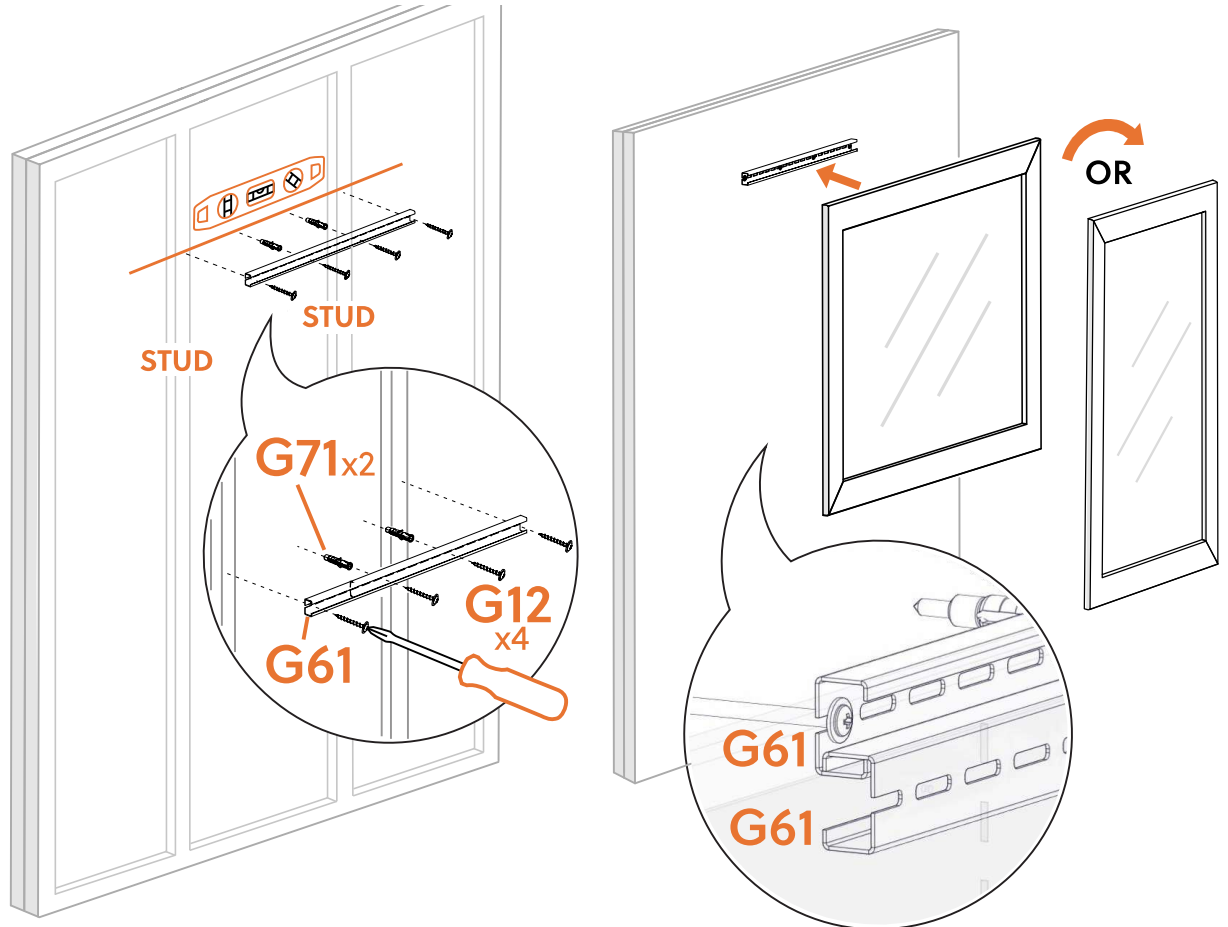
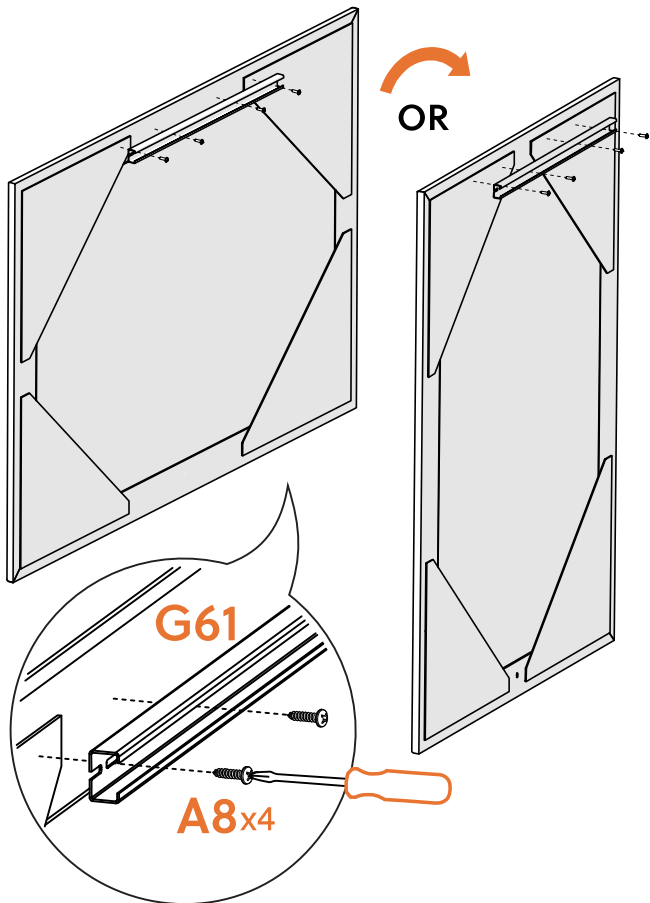
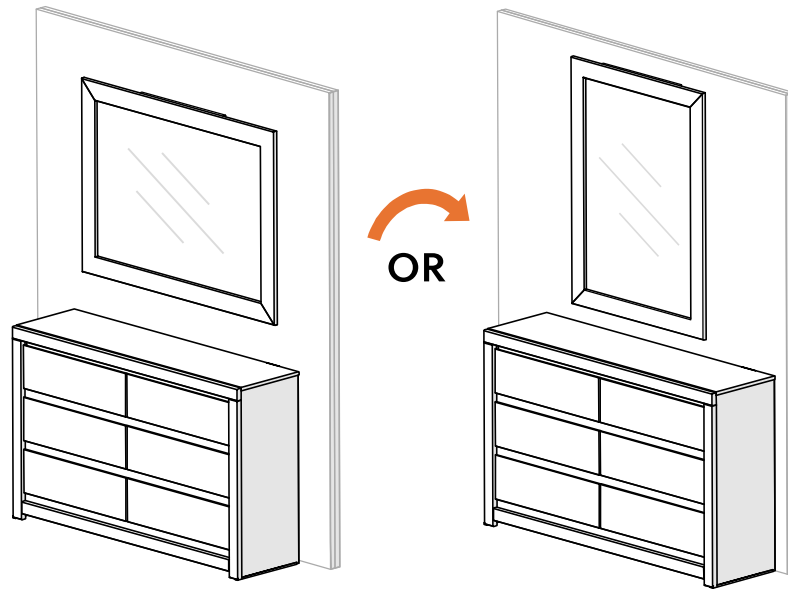
HARDWARE



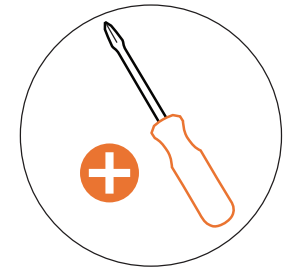
1 | OPTION ONE: DRESSER MOUNT



2 | OPTION TWO: WALL MOUNT



BUST OUT



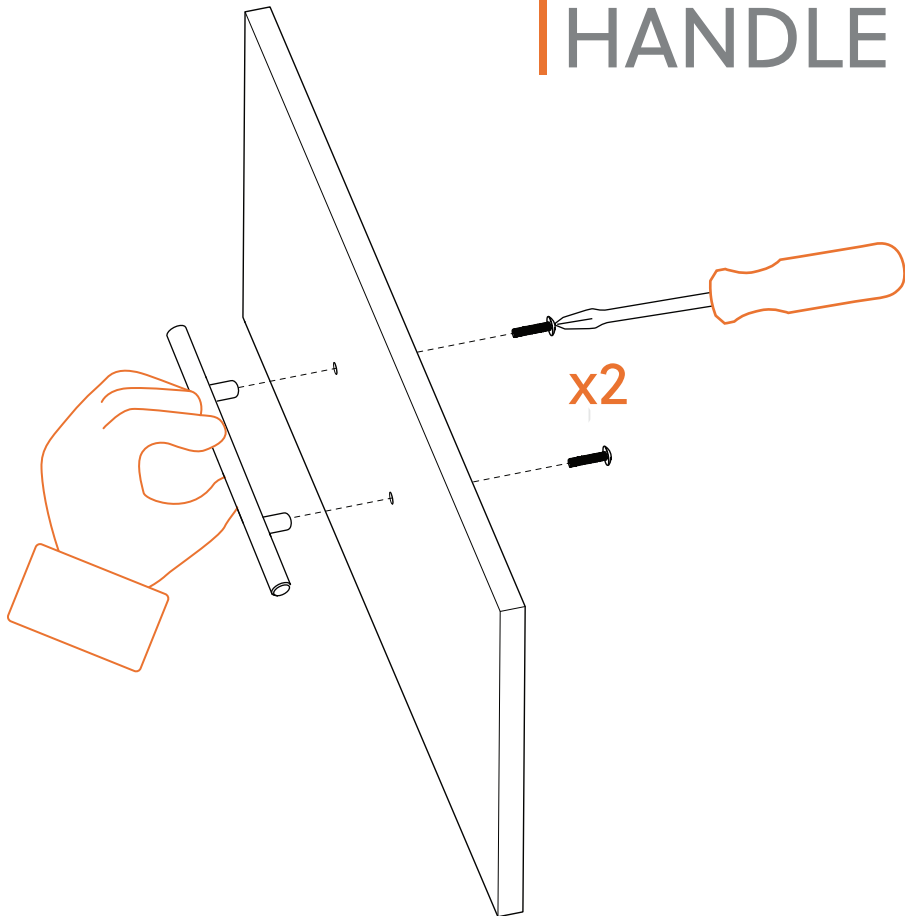
REQUIRED TOOL

Assembly instructions for:

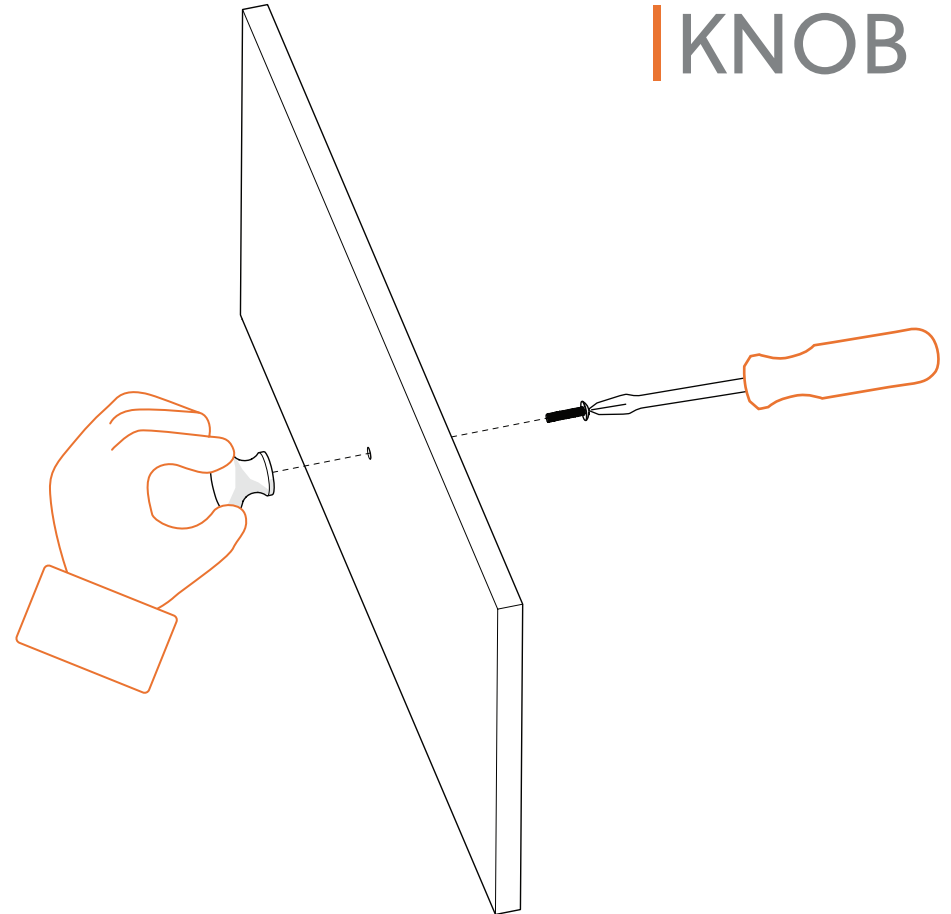
Handles & Knobs

Part # 10549174 (04/30/25)

HANDLE



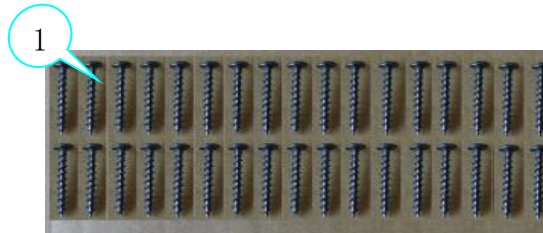
KNOB



REPLACEMENT PART DESCRIPTION FORM

MODEL #: B100-11/12

PART #	DESCRIPTION	USED ON:	MRP#		MATERIAL	QTY.	FACTORY USE ONLY!!	
							PACK	P/M
1	Hardware Pack	B100-11/12	R66235		#8x28mm Screw (34)	1	G	P



REPLACEMENT PART DESCRIPTION FORM

MODEL #: B100-13/14

PART#	DESCRIPTION	USED ON:	MRP#		MATERIAL	QTY.	FACTORY USE ONLY!!	
							PACK	P/M
1	Bracket Pack	B100-13/14	R66236		Metal	1	G	P
2	Hardware Pack	B100-13/14	R66235		#8x28mm Screw (34)	1	G	P



LED Trouble Shooting

In the event the LED lights of a bedroom set are not functioning correctly, follow these steps.

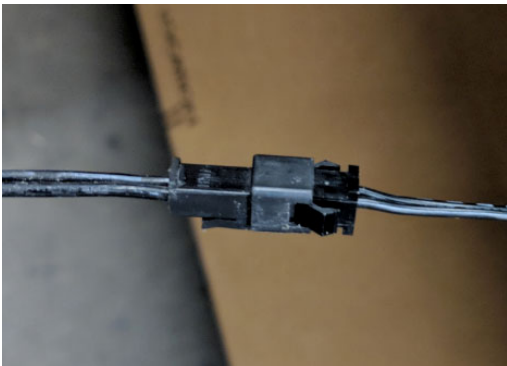
- Check to ensure LED light strip and junction box are connected. Reconnect if this connection has become disconnected during shipping. If the wires or connectors have become broke, contact Ashley Furniture for a replacement part.



- Check to make sure power supply is plugged into an active outlet



- Check the connection from the power supply to the junction box. If this connection has become broken, contact Ashley Furniture for a replacement part.



- Check the white connections of the lead wires to the junction box to see if they have become disconnected or broken. Reconnect if this connection has become disconnected during shipping. If the wires or connectors have become broken, contact Ashley Furniture for a replacement part.



- Loosen and retighten the nut located on the back side of the headboard shelf.

