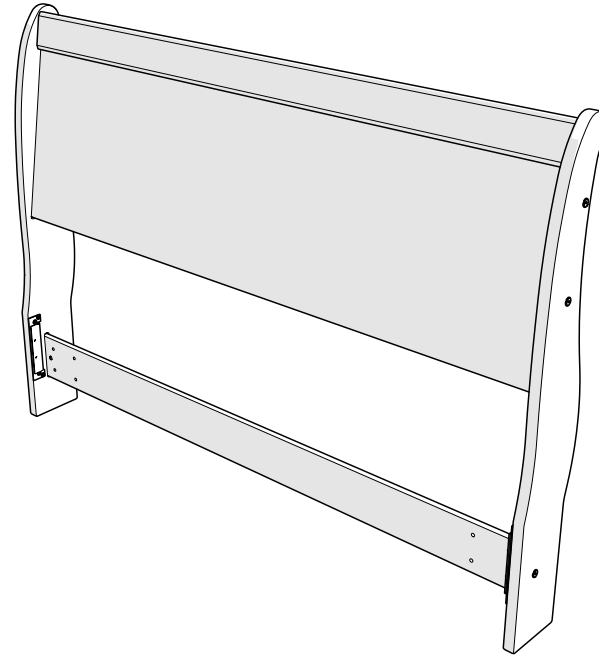


Assembly instructions for:
Headboard

Part # 150880 (05/09/24)

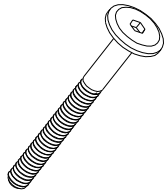


Life doesn't come with
instructions, but this does

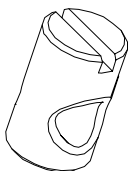
HARDWARE



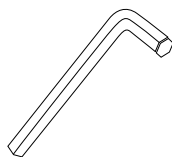
G13x6



G18x2



H24

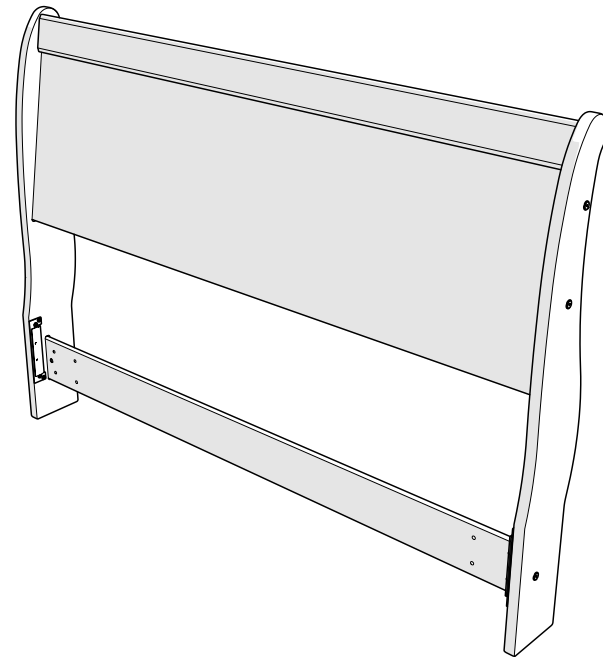
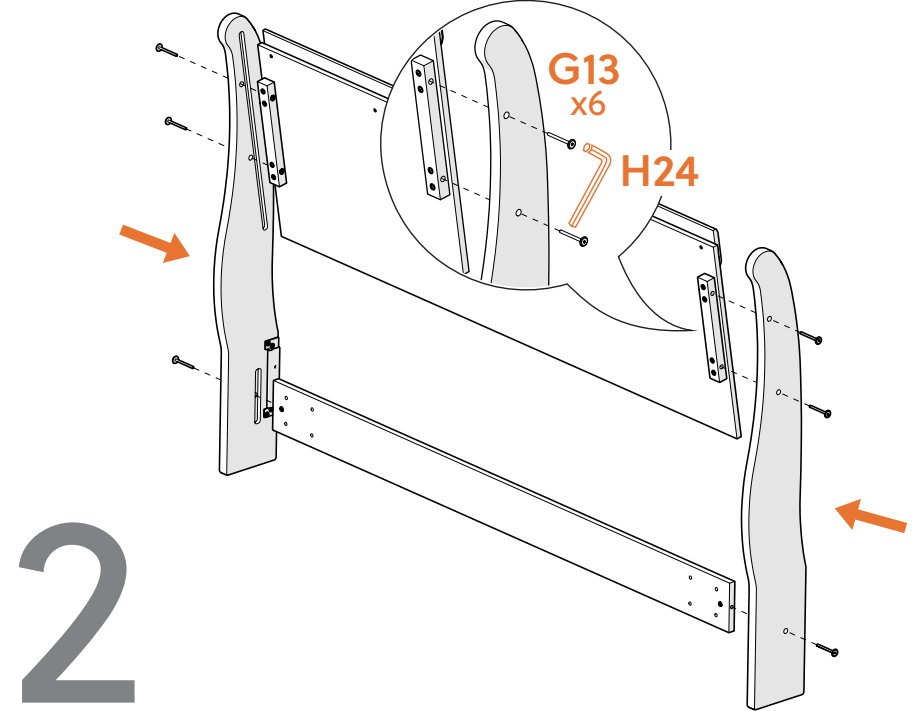
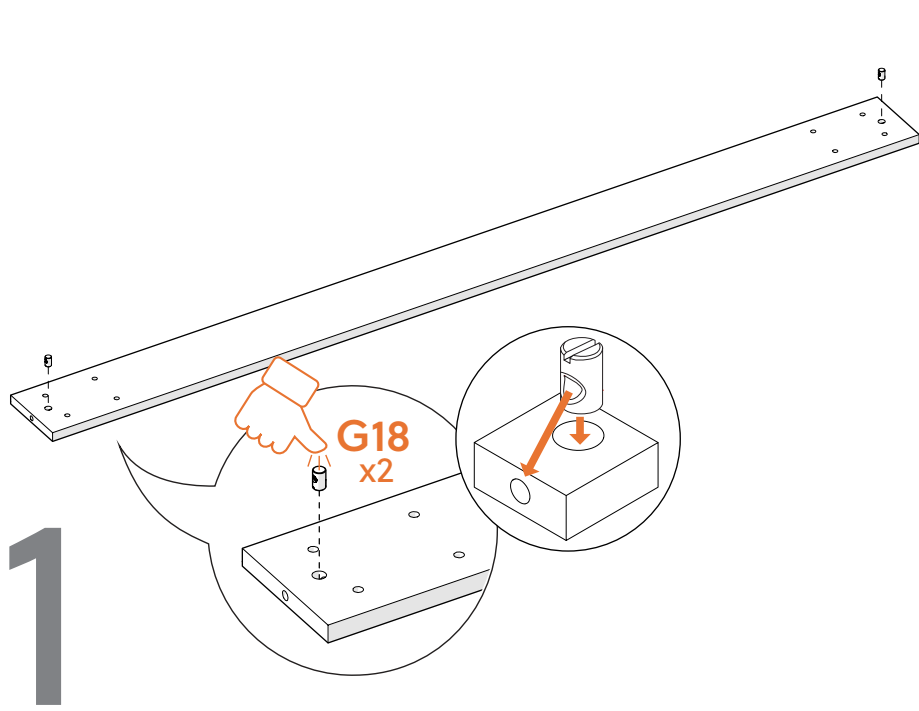


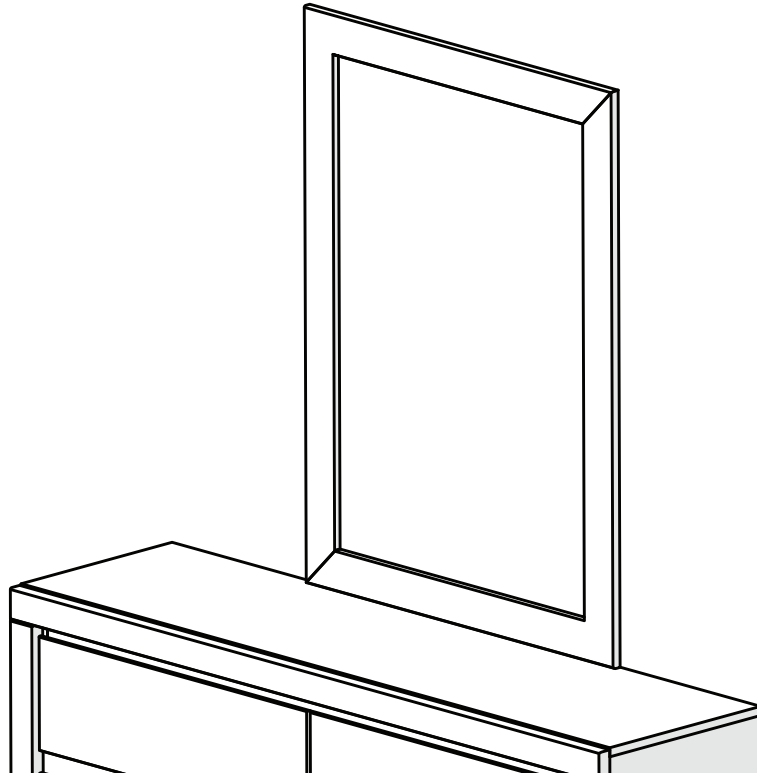
This bag contains small parts that present a choking hazard for children under 3 years of age. These parts are for adult assembly only and should be permanently affixed to the furniture. Any unused parts should be discarded properly.

Esta bolsa contiene piezas pequeñas que presentan un peligro de asfixia. para niños menores de 3 años. Estas piezas son para adultos. montaje solamente y debe fijarse permanentemente a la muebles. Las piezas no utilizadas deben desecharse correctamente.

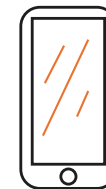
Ce sac contient de petites pièces qui présentent un risque d'étouffement pour les enfants de moins de 3 ans. Ces pièces sont pour adultes montage uniquement et doit être fixé de façon permanente au meubles. Toutes les pièces inutilisées doivent être jetées correctement.

Deze tas bevat kleine onderdelen die verstikkingsgevaar opleveren voor kinderen onder de 3 jaar. Deze onderdelen zijn voor volwassen montage alleen en moet permanent worden bevestigd aan de meubilair. Alle ongebruikte onderdelen moeten op de juiste manier worden weggegooid.





Assembly instructions for:
The Mirror



Scan Code for
Video Tutorial

 **WATCH NOW**



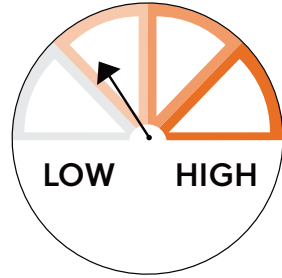
*Life doesn't come with
instructions, but this does*

Part # 10528045 (12/05/23)

HEADS UP

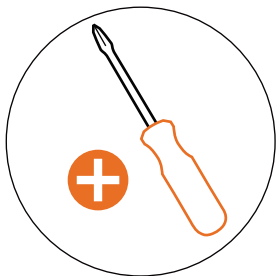


TIME

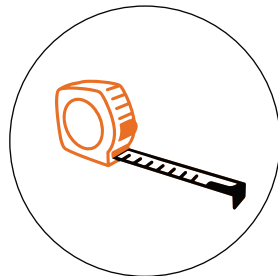


EFFORT SCALE
(you've got this)

BUST OUT



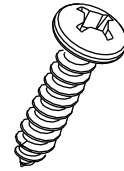
REQUIRED TOOL



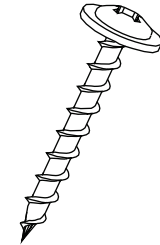
RECOMMENDED TOOL

HARDWARE

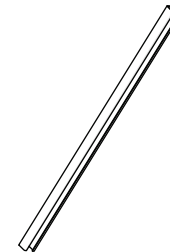
A8x4

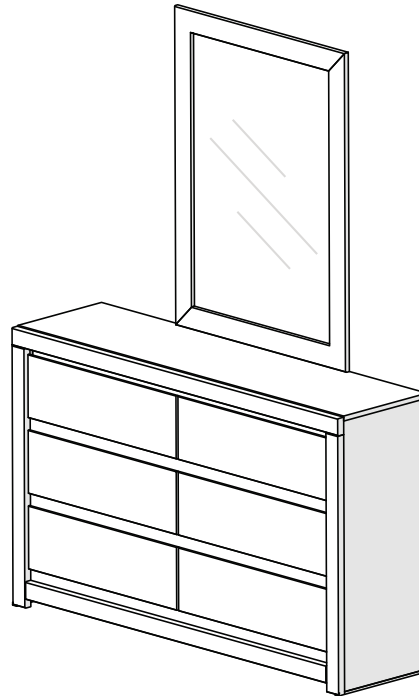
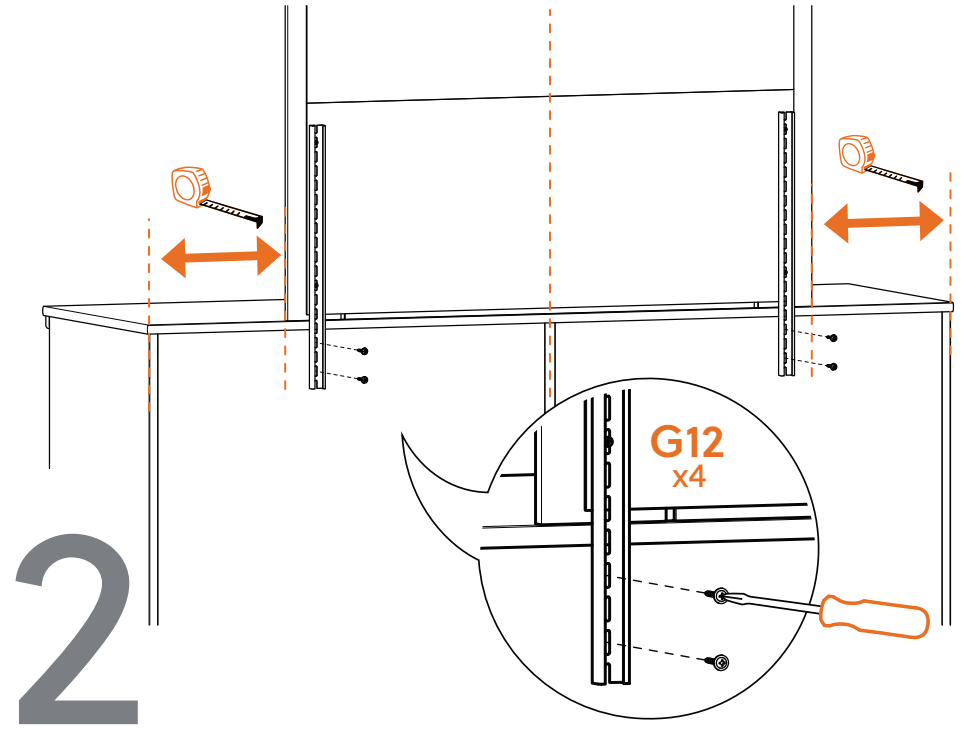
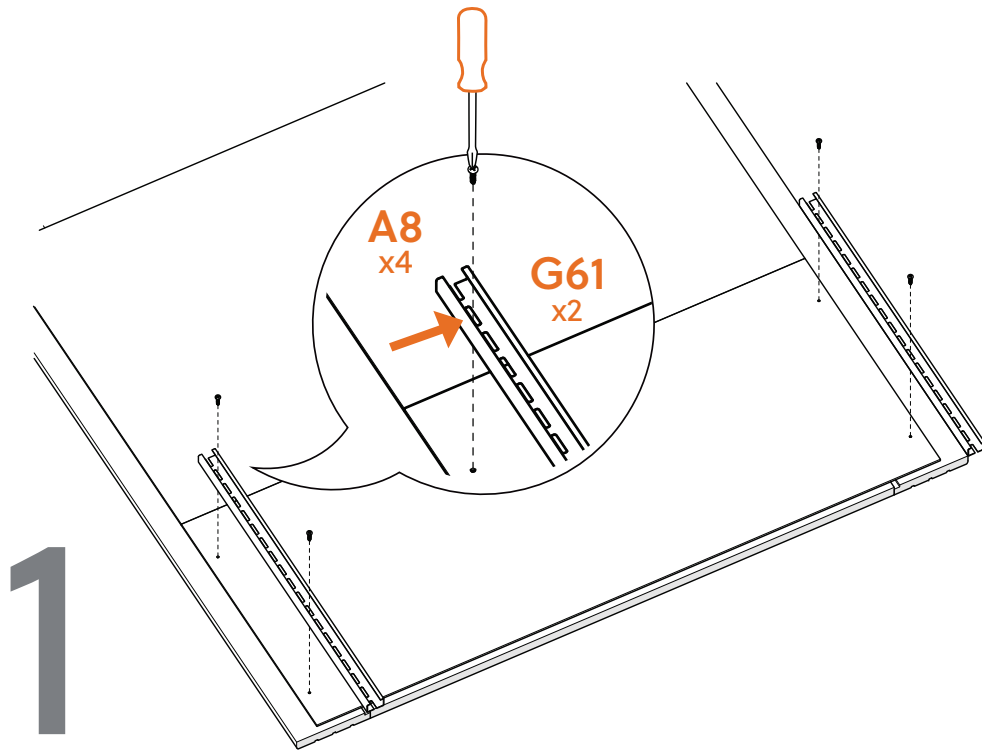


G12x4

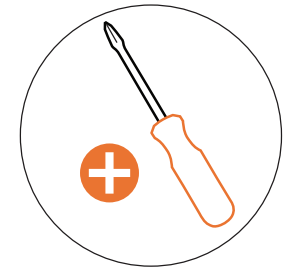


G61x2





BUST OUT



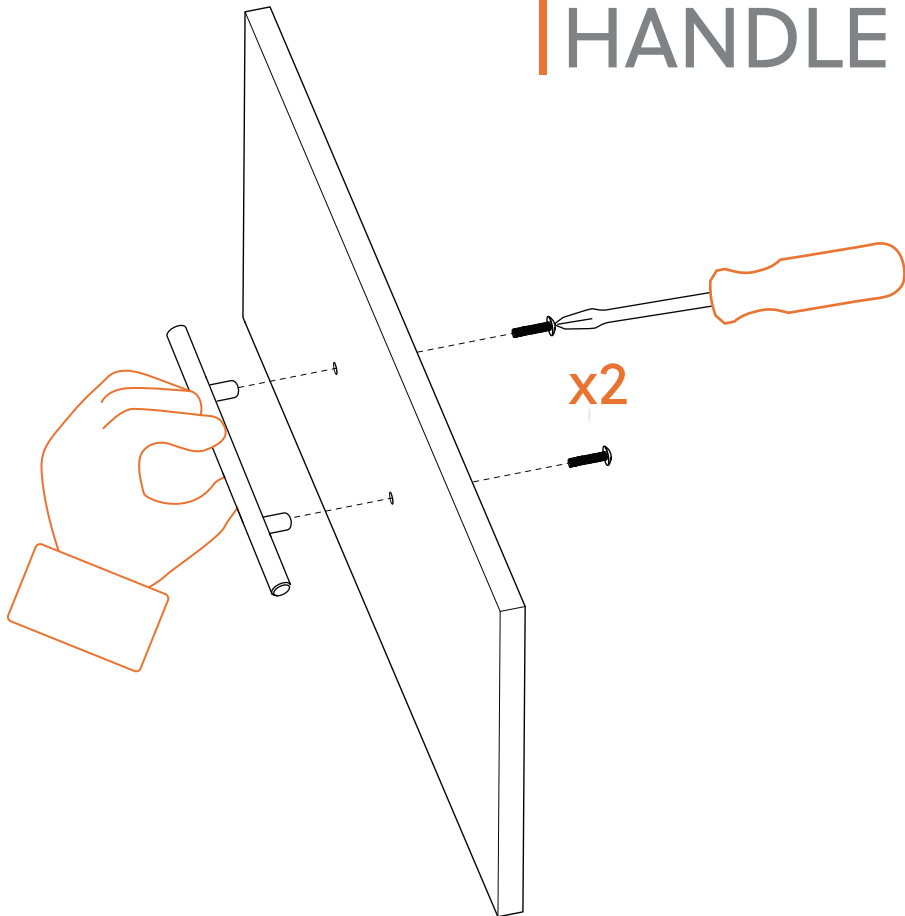
REQUIRED TOOL

Assembly instructions for:

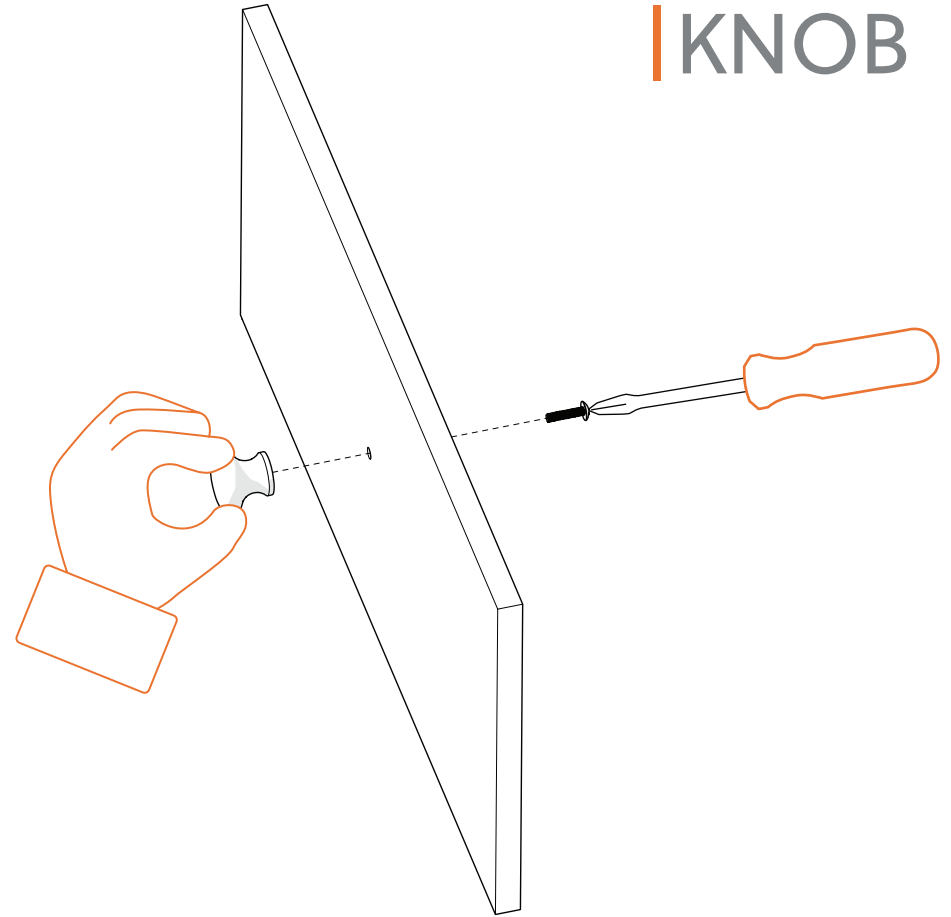
Handles & Knobs

Part # 10549174 (04/30/25)

HANDLE

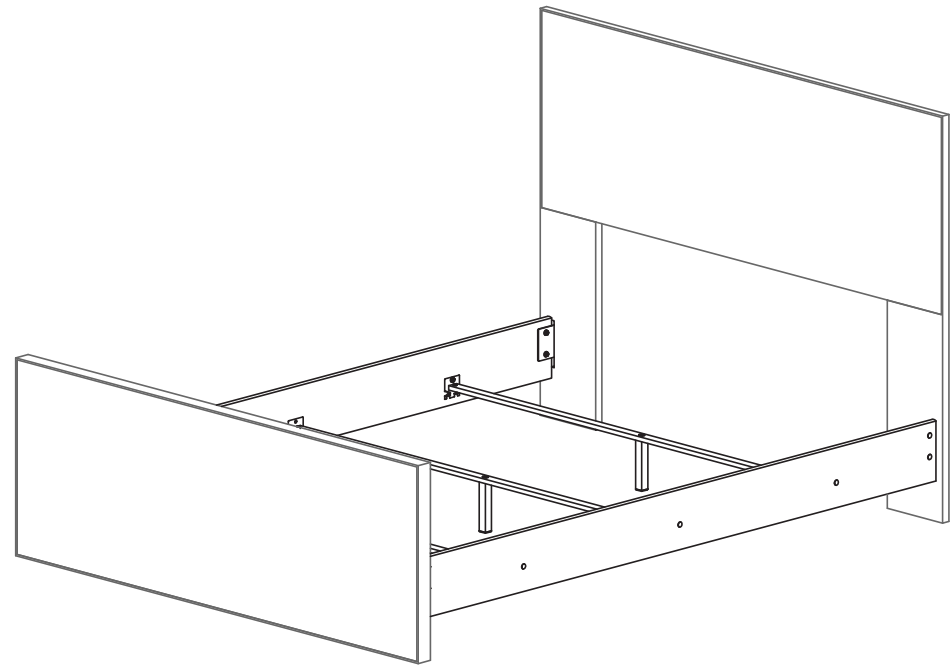


KNOB



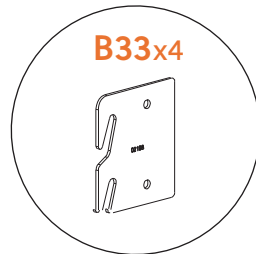
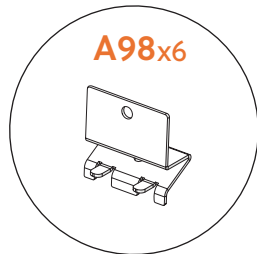
Assembly instructions for: **Bed Rails**

Part # 161649 (06/07/23)



Life doesn't come with instructions, but this does

HARDWARE

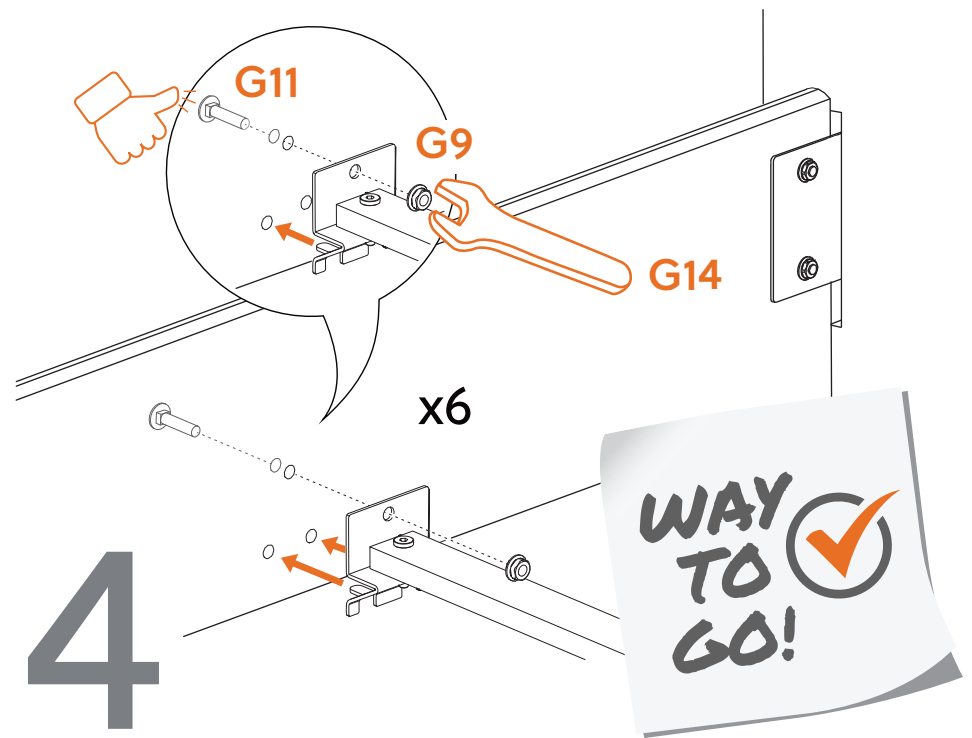
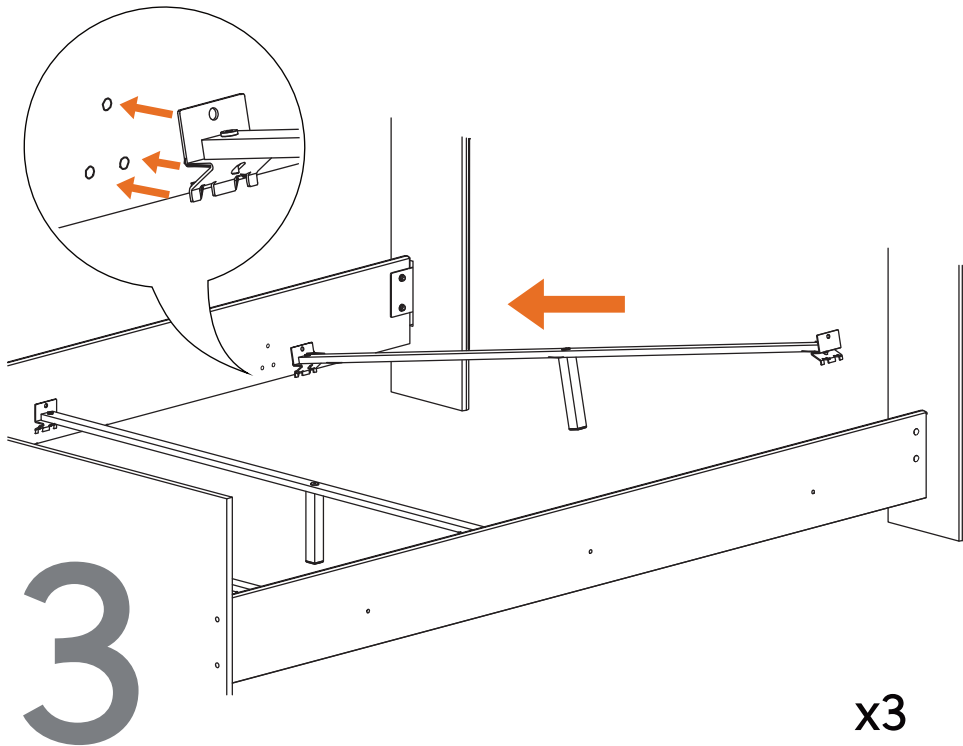
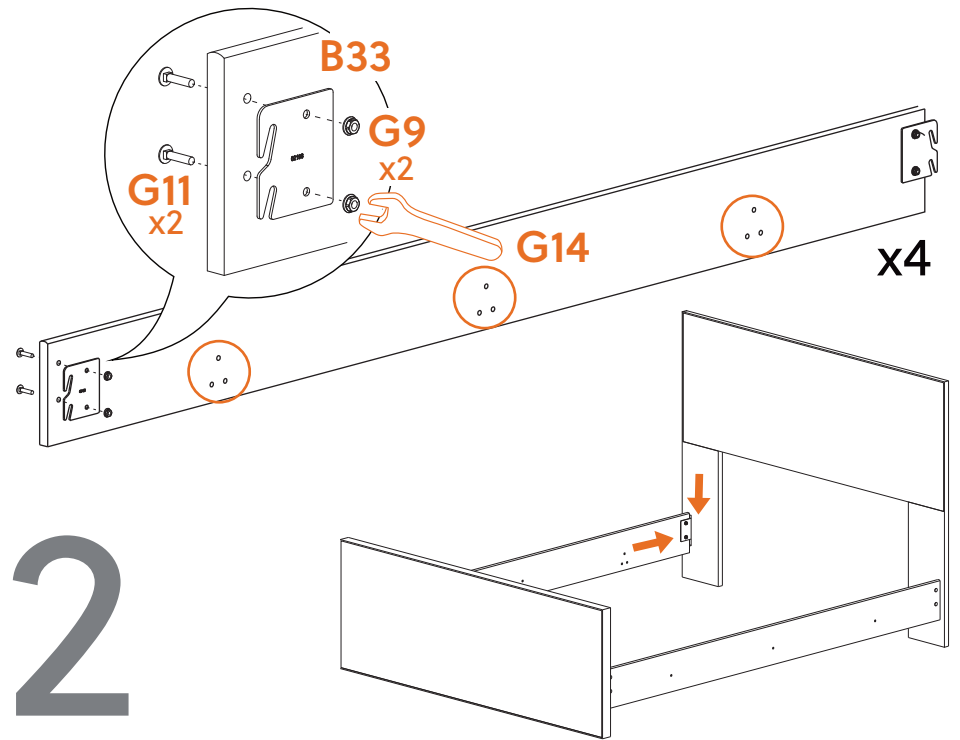
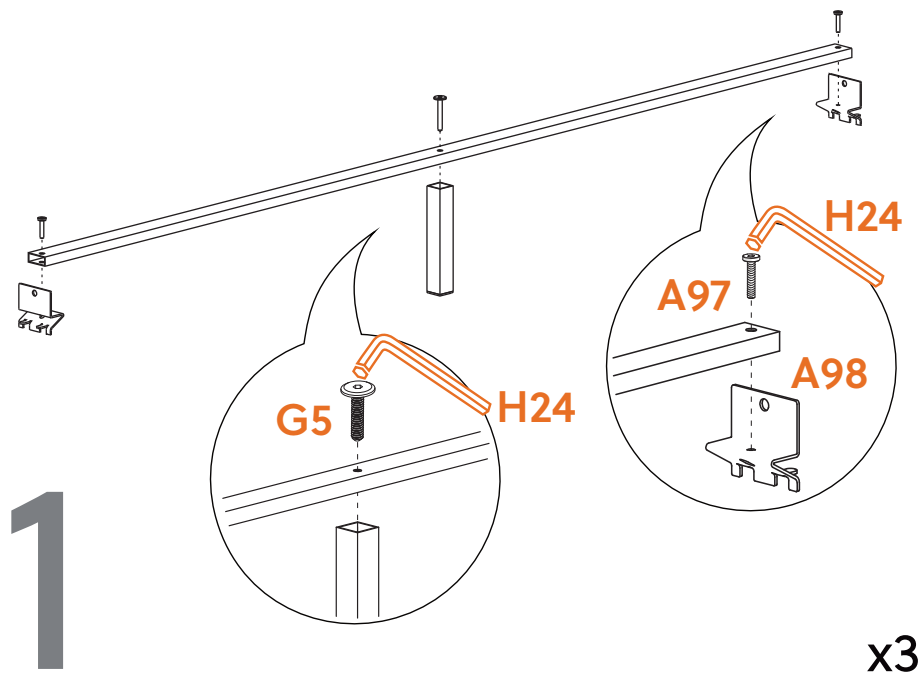


This bag contains small parts that present a choking hazard for children under 3 years of age. These parts are for adult assembly only and should be permanently affixed to the furniture. Any unused parts should be discarded properly.

Esta bolsa contiene piezas pequeñas que presentan un peligro de asfixia para niños menores de 3 años. Estas piezas son para adultos, montaje solamente y debe fijarse permanentemente a la muebles. Las piezas no utilizadas deben desecharse correctamente.

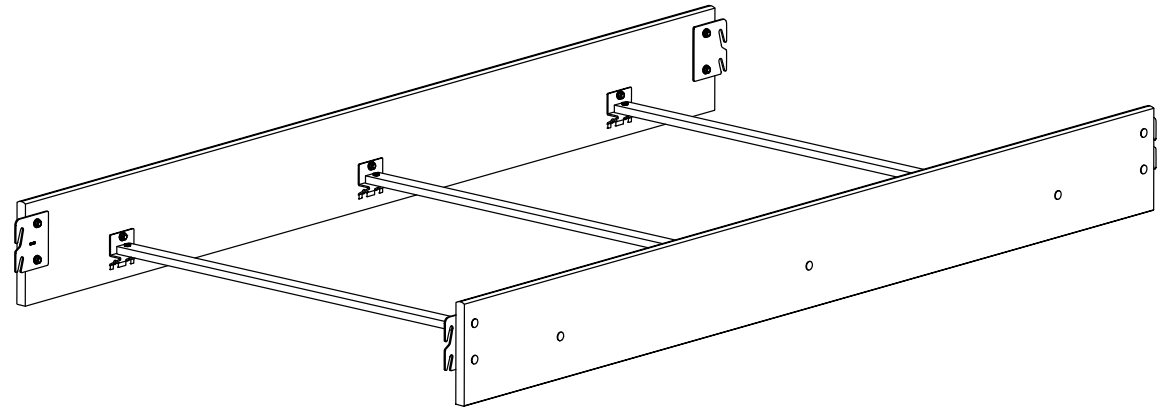
Ce sac contient de petites pièces qui présentent un risque d'étouffement pour les enfants de moins de 3 ans. Ces pièces sont pour adultes montage uniquement et doit être fixé de façon permanente au meubles. Toutes les pièces inutilisées doivent être jetées correctement.

Deze tas bevat kleine onderdelen die verstikkingsgevaar opleveren voor kinderen onder de 3 jaar. Deze onderdelen zijn voor volwassen montage alleen en moet permanent worden bevestigd aan de meubilair. Alle ongebruikte onderdelen moeten op de juiste manier worden weggegooid.



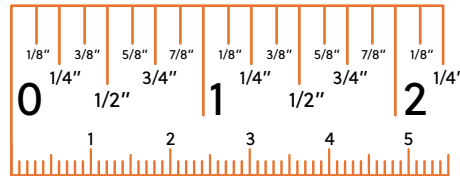
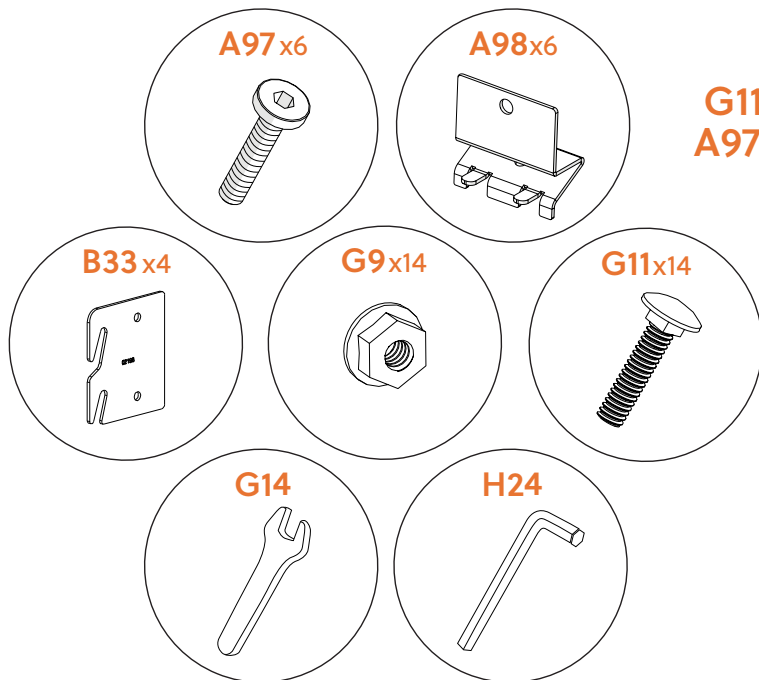
Assembly instructions for: Bed Rails

Part # 151160 (05/01/24)



Life doesn't come with instructions, but this does

HARDWARE



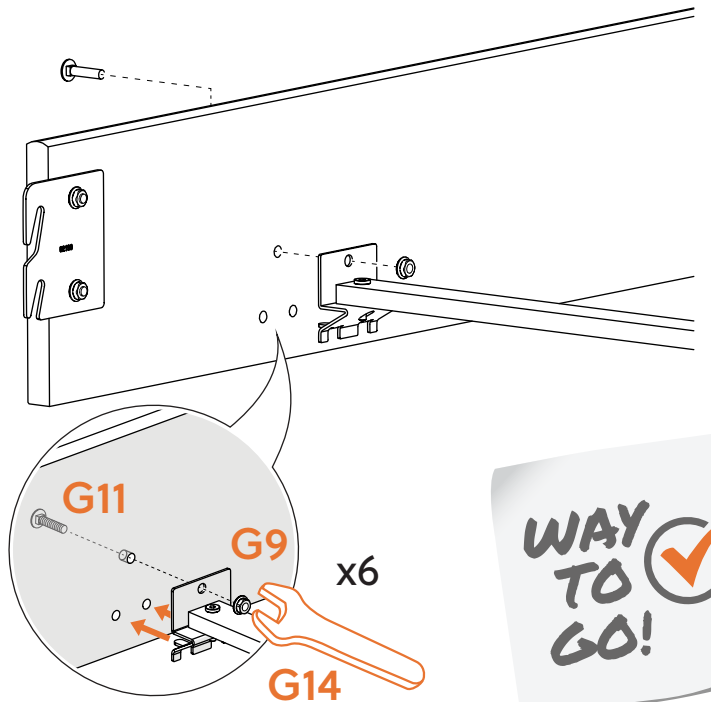
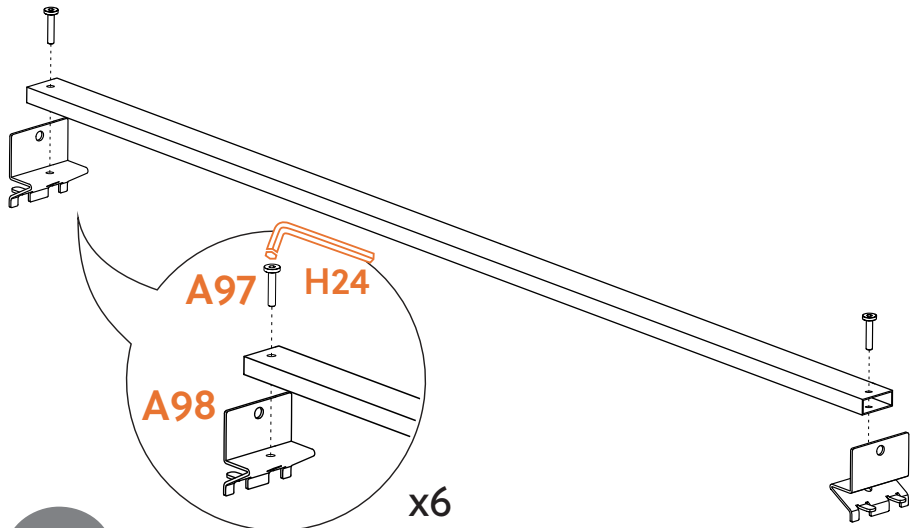
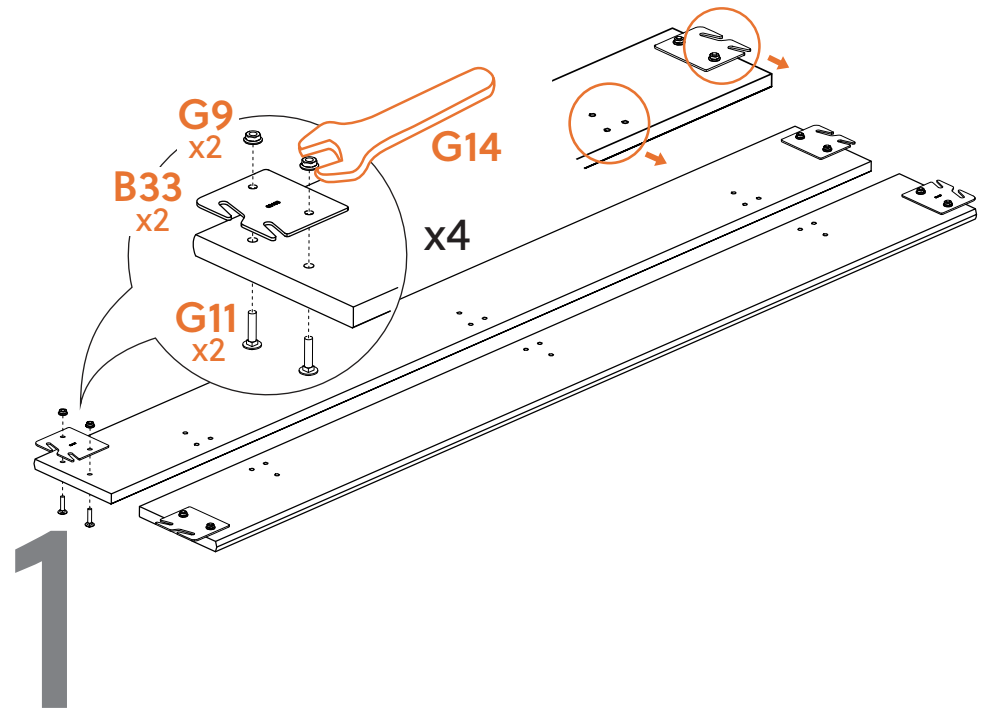
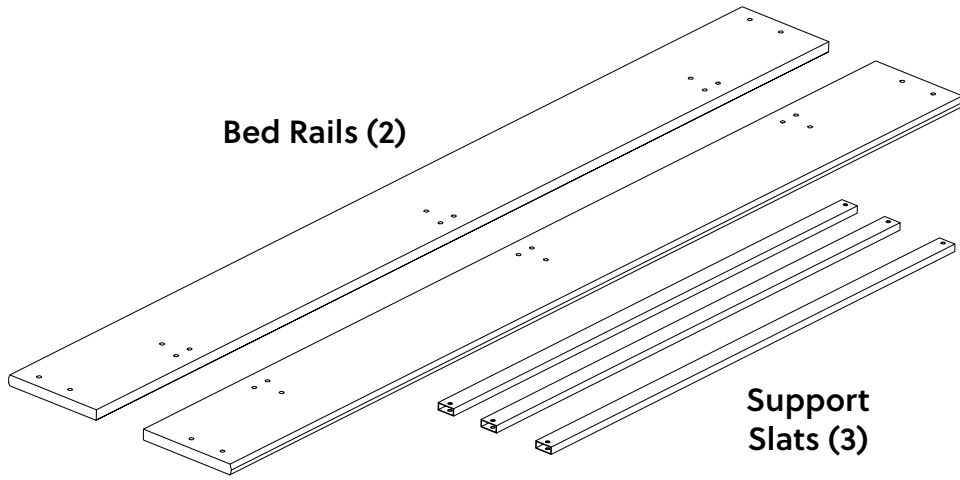
This bag contains small parts that present a choking hazard for children under 3 years of age. These parts are for adult assembly only and should be permanently affixed to the furniture. Any unused parts should be discarded properly.

Esta bolsa contiene piezas pequeñas que presentan un peligro de asfixia para niños menores de 3 años. Estas piezas son para adultos, montaje solamente y debe fijarse permanentemente a la muebles. Las piezas no utilizadas deben desecharse correctamente.

Ce sac contient de petites pièces qui présentent un risque d'étouffement pour les enfants de moins de 3 ans. Ces pièces sont pour adultes montage uniquement et doit être fixé de façon permanente au meubles. Toutes les pièces inutilisées doivent être jetées correctement.

Deze tas bevat kleine onderdelen die verstikkingsgevaar opleveren voor kinderen onder de 3 jaar. Deze onderdelen zijn voor volwassen montage alleen en moet permanent worden bevestigd aan de meubilair. Alle ongebruikte onderdelen moeten op de juiste manier worden weggegooid.

COMPONENTS



| Item# | Qty | Description | MATERIAL |
|-------|-----|---------------------|----------------|
| 1 | 1 | RAIL ASSEMBLY | WOOD |
| 2 | 6 | DRAWER ASSEMBLY | WOOD, METAL |
| 3 | 1 | BASESTRIP | WOOD |
| 4 | 12 | BLACK FELT PAD | FABRIC |
| 5 | 2 | CHANNEL MOULDING | PLASTIC |
| 6 | 4 | FLANGE INSERT | METAL |
| 7 | 6 | RIGHT CABINET GLIDE | METAL, PLASTIC |
| 8 | 6 | LEFT CABINET GLIDE | METAL, PLASTIC |
| 9 | 1 | TIPPING RESTRAINT | PLASTIC |
| 10 | 6 | HANDLE | METAL |
| 11 | 1 | TOP | WOOD |

A


G

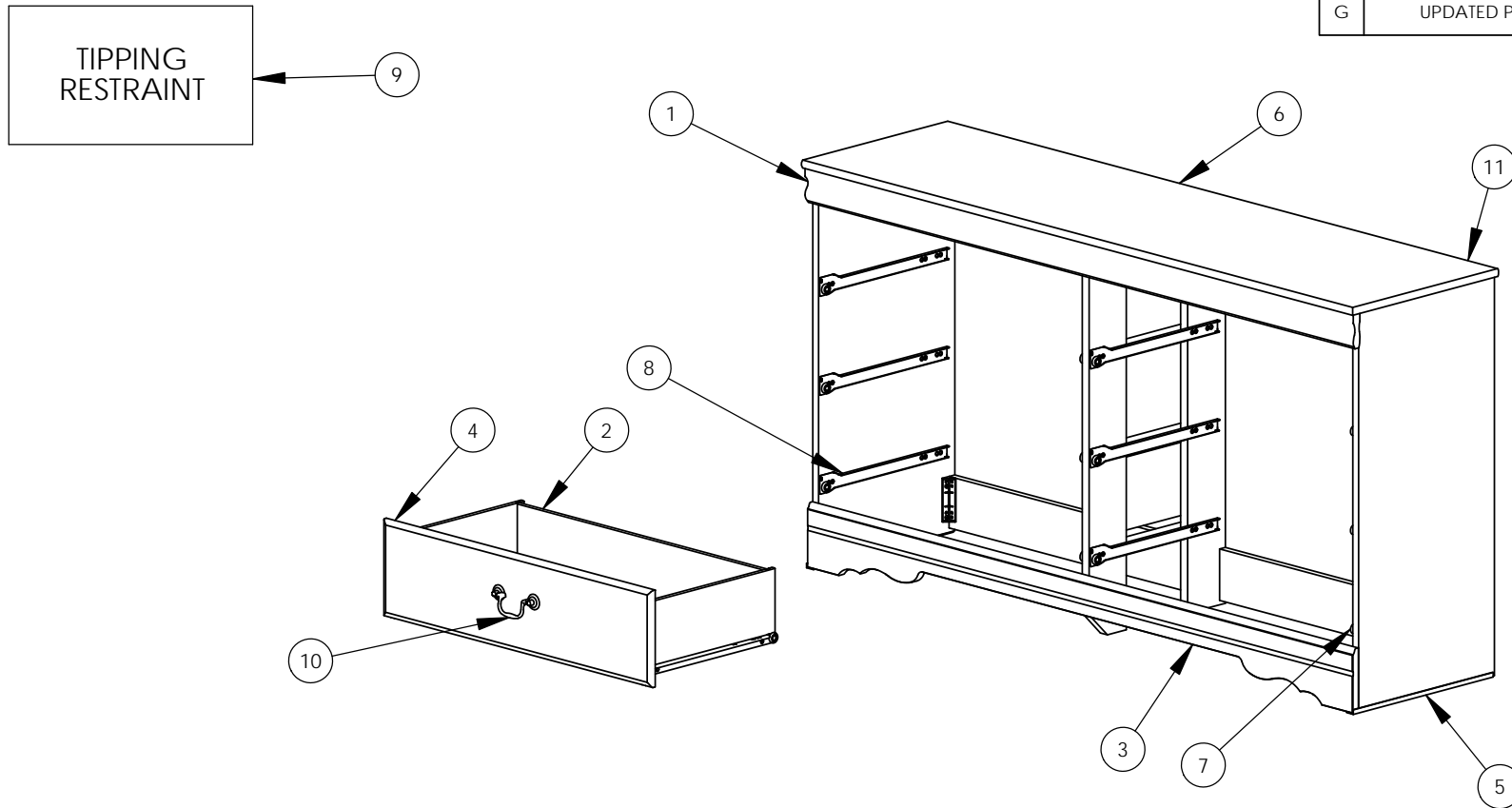
B C

F

D

E

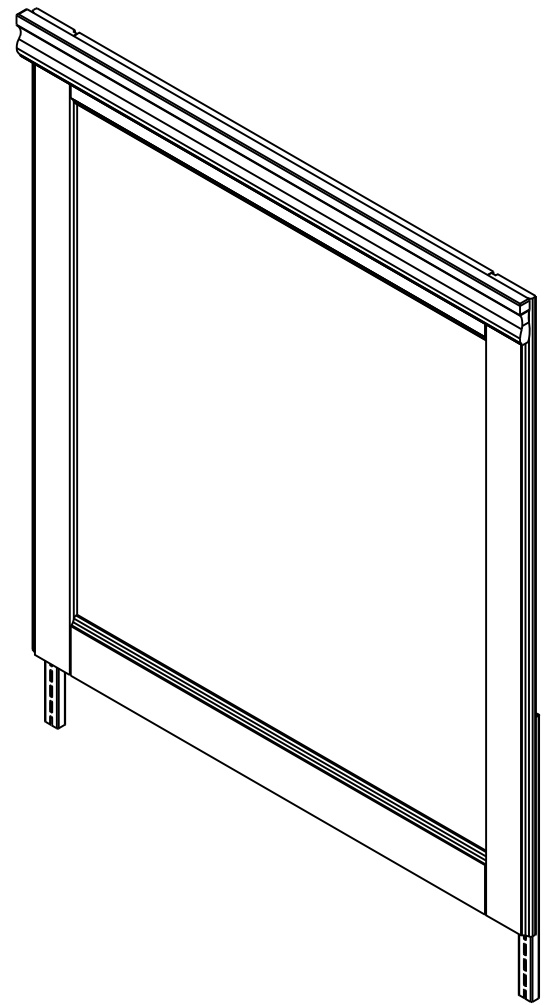
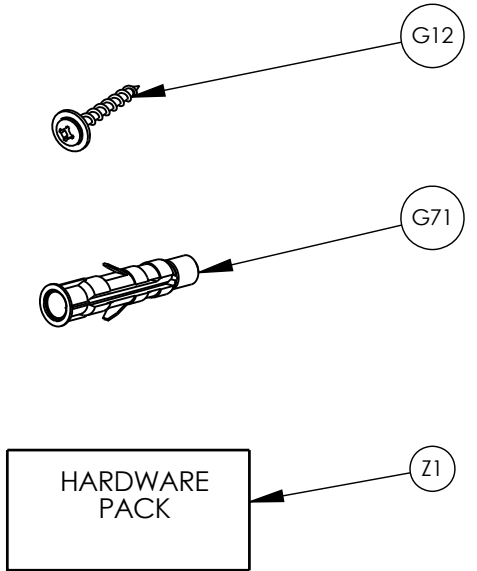
| Dwg#: 33080 | |  | |
|--------------------|---|---|---------|
| Scale: 1:33.3 | | TOLERANCES ARE: METRIC: +.5 / -.5mm DECIMAL: 0 / -.008" FRACTIONAL: 0 / -1/32" (UNLESS OTHERWISE SPECIFIED) | |
| Date: 9/20/2012 | | | |
| Desc: Dresser | | | |
| Rev. | Description | Date | Cad/Eng |
| A | REMOVED TOP ASSY, ADDED RAIL ASSY & TOP PARTS | 8/14/2009 | DOM/JF |
| B | REMOVED BEIGE TACK (8488) | 12/27/2010 | TH/CE |
| C | REMOVED UNIT BACL | 1/6/2012 | MAP/JF |
| D | ADDED DRAWER FRONT NOTES | 9/20/2012 | BJB |
| E | UPDATED PRINT, REMOVED NOTE | 7/1/2014 | NP/JR |
| F | CABINET GLIDE WAS DRAWER GLIDE AND UPDATED PARTS LIST | 5/27/2016 | LB/TH |
| G | UPDATED PARTS CALLOUT | 11/29/2016 | JRP/TH |




| Item # | Qty | Description | Material |
|--------|-----|------------------------------|---------------|
| 1 | 1 | WRAPPED TOP MOULDING | WOOD |
| A8 | 4 | (A8) 8 X 5/8 PH SCREW | METAL |
| G12 | 4 | (G12) 8 X 1 1/4 WH SCREW | METAL |
| G61 | 2 | (G61) METAL MIRROR BRACKET | METAL |
| G71 | 4 | (G71) PLASTIC DRYWALL ANCHOR | PLASTIC |
| Z1 | 1 | (Z1) HARDWARE PACK | METAL,PLASTIC |

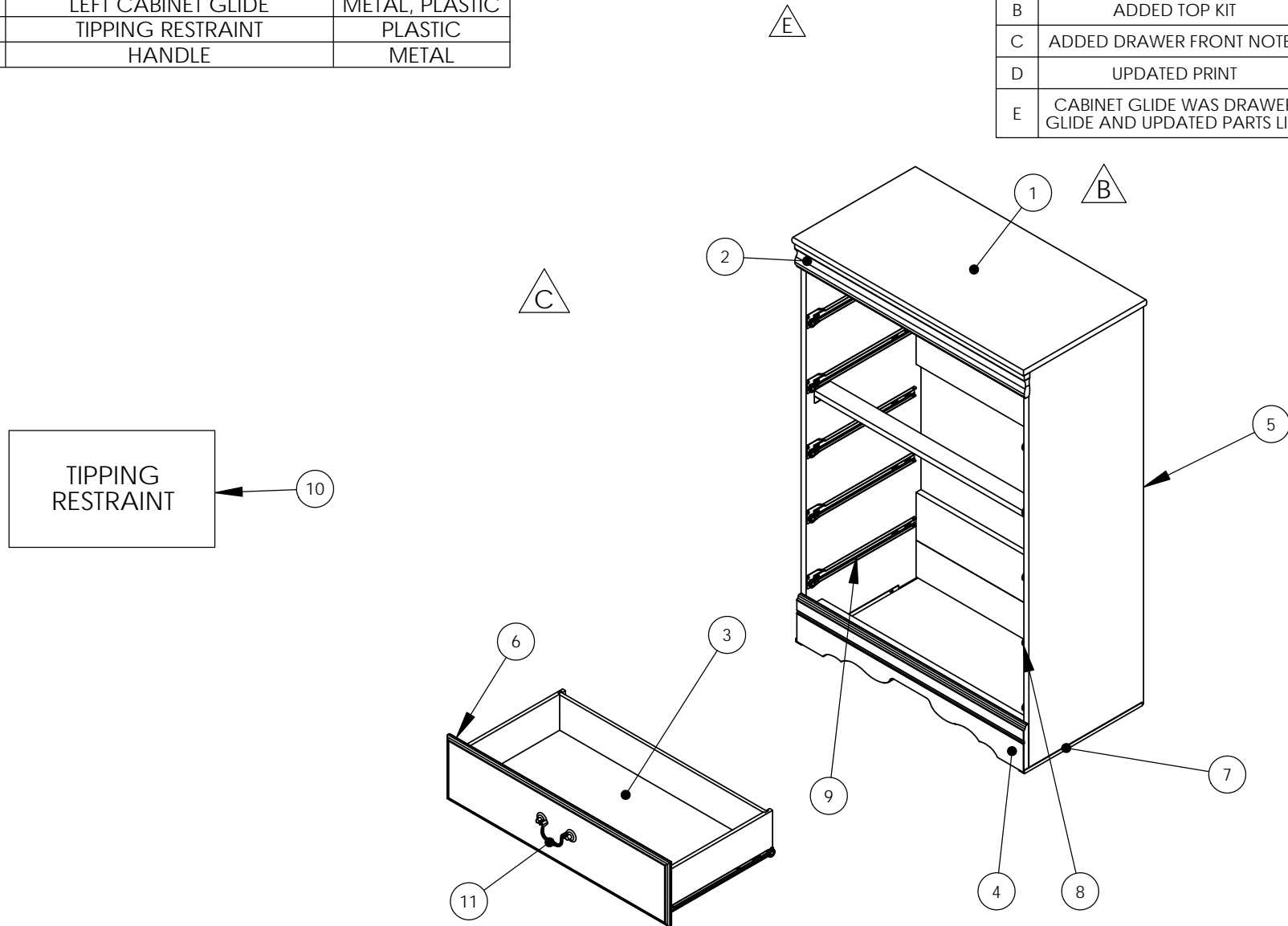


| Dwg#: 33081 | | | |
|-----------------|--|-----------|---------|
| Scale: 1:20 | TOLERANCES ARE: METRIC..... +.5 / -.5mm DECIMAL..... 0 / -.005" FRACTIONAL..... +0/ - 1/32" (UNLESS OTHERWISE SPECIFIED) | | |
| Date: 3/25/2013 | Desc: Mirror CS | | |
| Rev. | Description | Date | Cad/Eng |
| B | UPDATED PRINT | 11/9/2016 | TH |
| C | MIRROR CHANGED TO METAL MIRROR BRACKET | 3/6/2024 | VS |



| ITEM # | QTY. | DESCRIPTION | MATERIAL |
|--------|------|---------------------|----------------|
| 1 | 1 | TOP ASSEMBLY | WOOD |
| 2 | 1 | RAIL ASSEMBLY | WOOD |
| 3 | 5 | DRAWER ASSEMBLY | WOOD, METAL |
| 4 | 1 | BASESTRIP | WOOD |
| 5 | 1 | UNIT BACK | WOOD |
| 6 | 10 | BLACK FELT PAD | FABRIC |
| 7 | 2 | CHANNEL MOULDING | PLASTIC |
| 8 | 5 | RIGHT CABINET GLIDE | METAL, PLASTIC |
| 9 | 5 | LEFT CABINET GLIDE | METAL, PLASTIC |
| 10 | 1 | TIPPING RESTRAINT | PLASTIC |
| 11 | 5 | HANDLE | METAL |

| Dwg#: 33083 | |  | |
|--------------------|---|--|---------|
| Scale: 1:33.3 | | TOLERANCES ARE: METRIC:..... +.5 / -.5mm DECIMAL:..... 0 / -.008" FRACTIONAL:..... +0/ -1/32" (UNLESS OTHERWISE SPECIFIED) | |
| Date: 2/28/2008 | | | |
| Desc: Chest | | | |
| Rev. | Description | Date | Cad/Eng |
| A | REMOVED TOP ASSY, ADDED RAIL ASSY & TOP PARTS | 8/13/2009 | DOM/JF |
| B | ADDED TOP KIT | 2/9/2010 | ANT/CE |
| C | ADDED DRAWER FRONT NOTES | 9/18/2012 | BJB |
| D | UPDATED PRINT | 6/30/2014 | NP/JR |
| E | CABINET GLIDE WAS DRAWER GLIDE AND UPDATED PARTS LIST | 6/6/2016 | LB/TH |




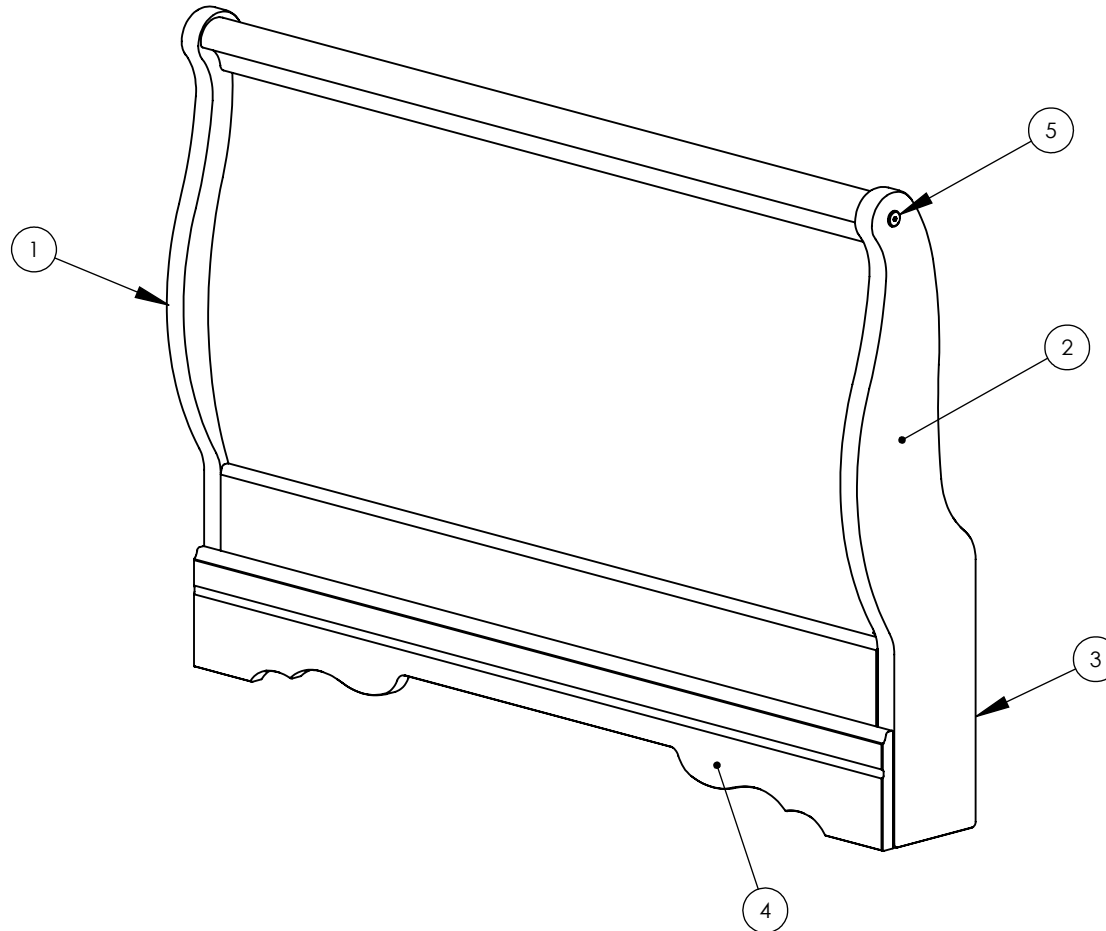
| Item# | Qty | Description | MATERIAL |
|-------|-----|-------------------------|----------|
| 1 | 1 | LEFT SLEIGH LEG | WOOD |
| 2 | 1 | RIGHT SLEIGH LEG | WOOD |
| 3 | 2 | MITERED BEDPOST BRACKET | METAL |
| 4 | 1 | BASESTRIP | WOOD |
| 5 | 2 | M7 JOINT CONNECTOR | METAL |

△ B


△ C

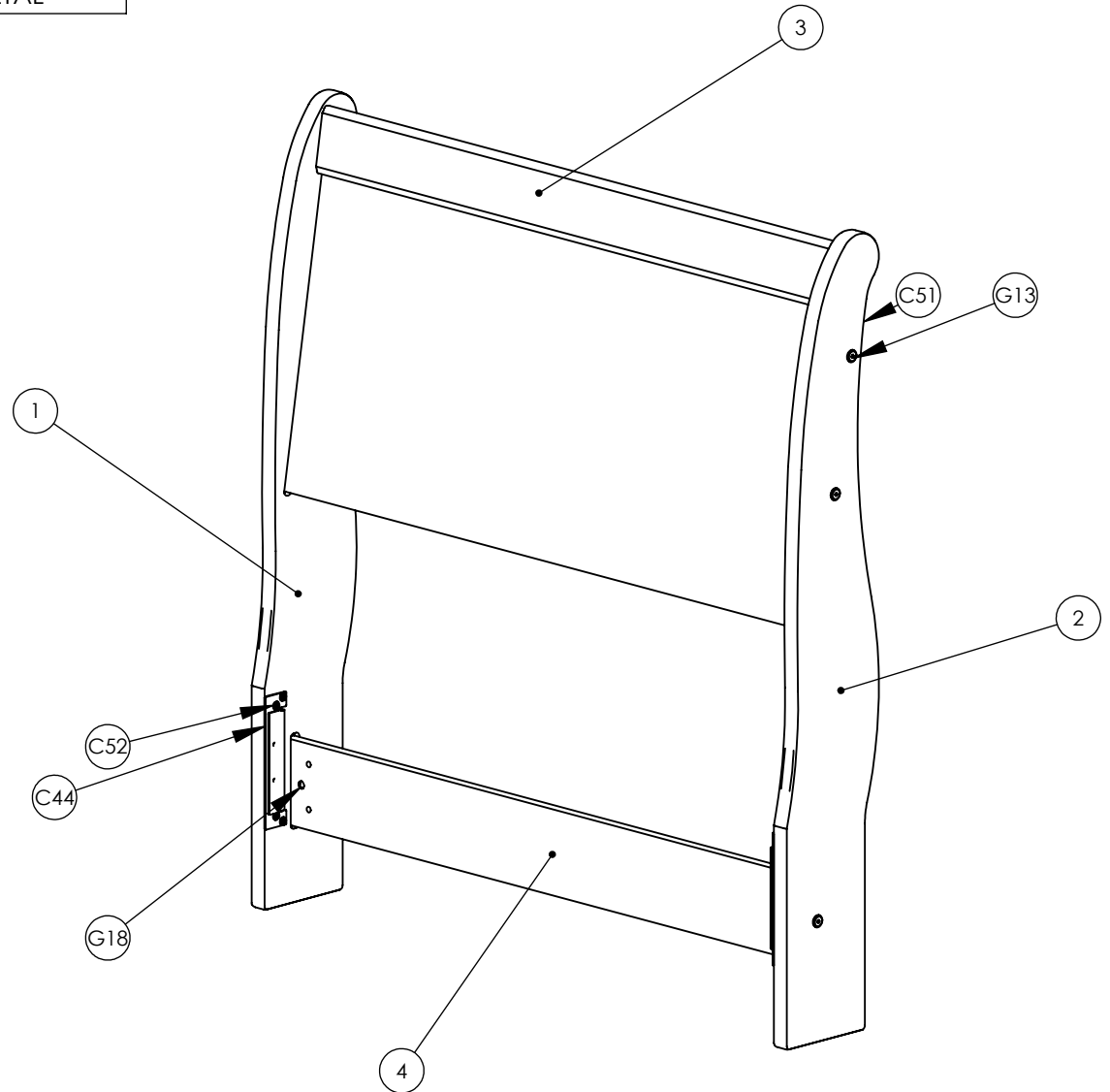
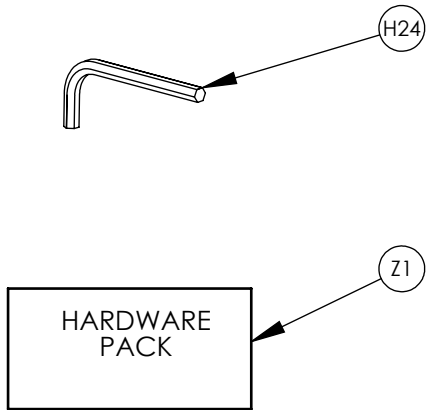
△ A

| Dwg#: 33084 |  | | |
|--------------------|---|------------|---------|
| Scale: 1:10 | TOLERANCES ARE: METRIC..... +.5 / -.5mm DECIMAL..... 0 / -.005" FRACTIONAL..... +0 / -.1/32" (UNLESS OTHERWISE SPECIFIED) | | |
| Date: 3/22/2008 | Desc: Footboard | | |
| Rev. | Description | Date | Cad/Eng |
| A | UPDATED PRINT | 11/14/2016 | TH |
| B | ADDED DETAIL 3 TO ITEM LIST | 11/30/2016 | JRP/TH |
| C | UPDATED PARTS LIST | 12/1/2016 | JPR/TH |




| Item# | Qty | Description | MATERIAL |
|-------|-----|-----------------------------------|----------|
| 1 | 1 | LEFT SLEIGH LEG | WOOD |
| 2 | 1 | RIGHT SLEIGH LEG | WOOD |
| 3 | 1 | TOP RAIL | WOOD |
| 4 | 1 | SUPPORT RAIL | WOOD |
| C44 | 2 | (C44) MITERED BEDPOST BRACKET | METAL |
| C51 | 4 | (51) 1/4-20X1/2 FLANGE INSERT REV | METAL |
| C52 | 8 | (C52) 8 X 7/8 WH SCREW | METAL |
| G13 | 6 | (G13) 1/4-20X60MM JOINT CONNECTOR | METAL |
| G18 | 2 | (G18) 1/4-20 X 16 CROSS DOWEL | METAL |
| H24 | 1 | (H24) ALLEN WRENCH | METAL |
| Z1 | 1 | (Z1) HARDWARE PACK | METAL |

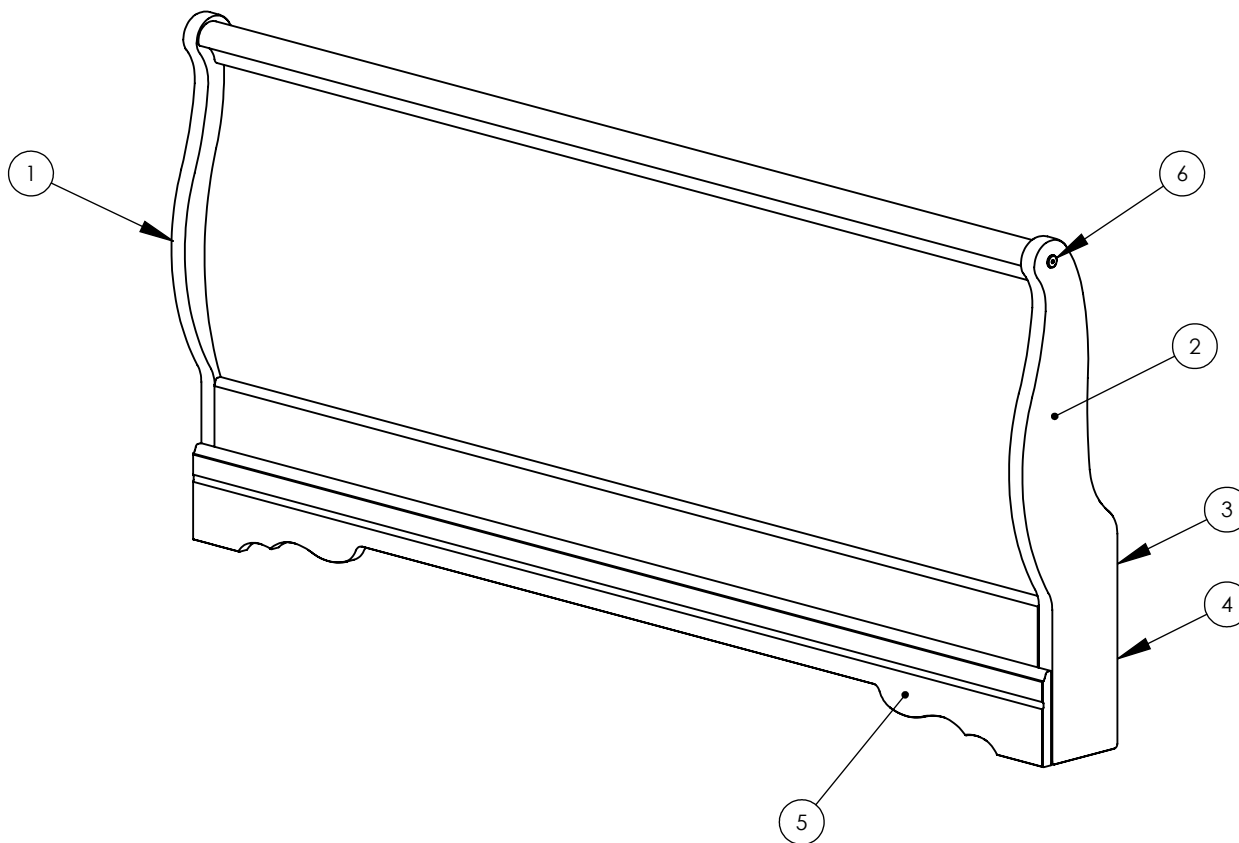
| | | | |
|----------------|--|------|---------|
| Dwg#: 33085 |  | | |
| Scale: 1:10 | TOLERANCES ARE: METRIC..... +.5 / -.5mm DECIMAL..... 0 / -.005" FRACTIONAL..... +0 / -1/32" (UNLESS OTHERWISE SPECIFIED) | | |
| Date: 4/3/2008 | Desc: Headboard CS | | |
| Rev. | Description | Date | Cad/Eng |




| Item# | Qty | Description | MATERIAL |
|-------|-----|-------------------------|----------|
| 1 | 1 | LEFT SLEIGH LEG | WOOD |
| 2 | 1 | RIGHT SLEIGH LEG | WOOD |
| 3 | 1 | HORIZONTAL RAIL | WOOD |
| 4 | 2 | MITERED BEDPOST BRACKET | METAL |
| 5 | 1 | BASESTRIP | WOOD |
| 6 | 2 | M7 JOINT CONNECTOR | METAL |

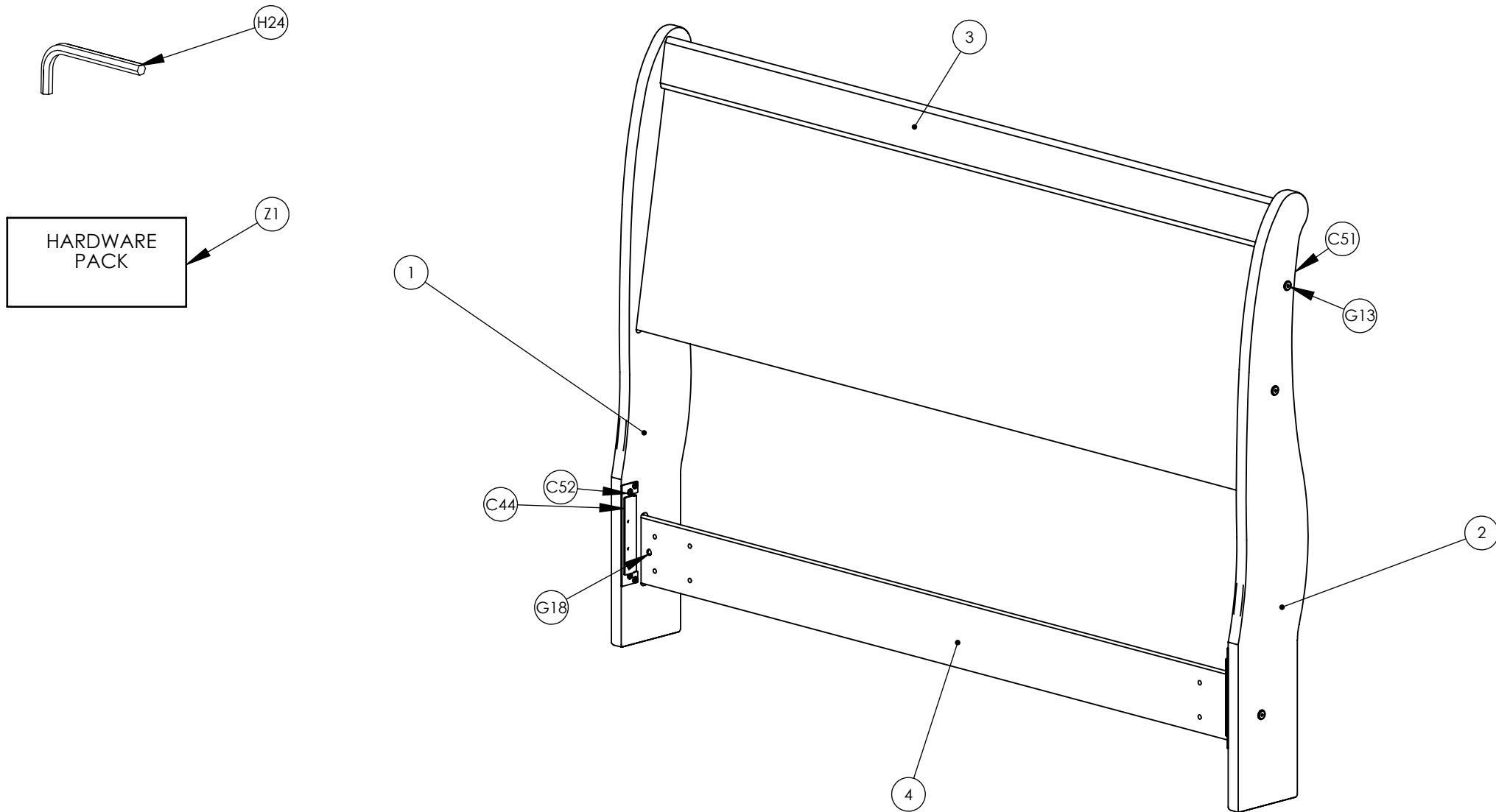
A

| Dwg#: 33086 |  | | |
|--------------------|---|-----------|---------|
| Scale: 1:10 | TOLERANCES ARE: METRIC..... +.5 / -.5mm DECIMAL..... 0 / -.005" FRACTIONAL..... +0 / -.1/32" (UNLESS OTHERWISE SPECIFIED) | | |
| Date: 4/3/2008 | Desc: Footboard | | |
| Rev. | Description | Date | Cad/Eng |
| A | ADDED PARTS LIST | 12/1/2016 | JRP/TH |




| ITEM # | QTY. | DESCRIPTION | MATERIAL |
|--------|------|------------------------------------|----------|
| 1 | 1 | LEFT SLEIGH LEG | WOOD |
| 2 | 1 | RIGHT SLEIGH LEG | WOOD |
| 3 | 1 | TOP RAIL | WOOD |
| 4 | 1 | SUPPORT RAIL | WOOD |
| C44 | 2 | (C44) MITERED BEDPOST BRACKET | METAL |
| C51 | 4 | (C51) 1/4-20X1/2 FLANGE INSERT REV | METAL |
| C52 | 8 | (C52) 8 X 7/8 WH SCREW | METAL |
| G13 | 6 | (G13) 1/4-20X60MM JOINT CONNECTOR | METAL |
| G18 | 2 | (G18) 1/4-20 X 16 CROSS DOWEL | METAL |
| H24 | 1 | (H24) ALLEN WRENCH | METAL |
| Z1 | 1 | (Z1) HARDWARE PACK | METAL |

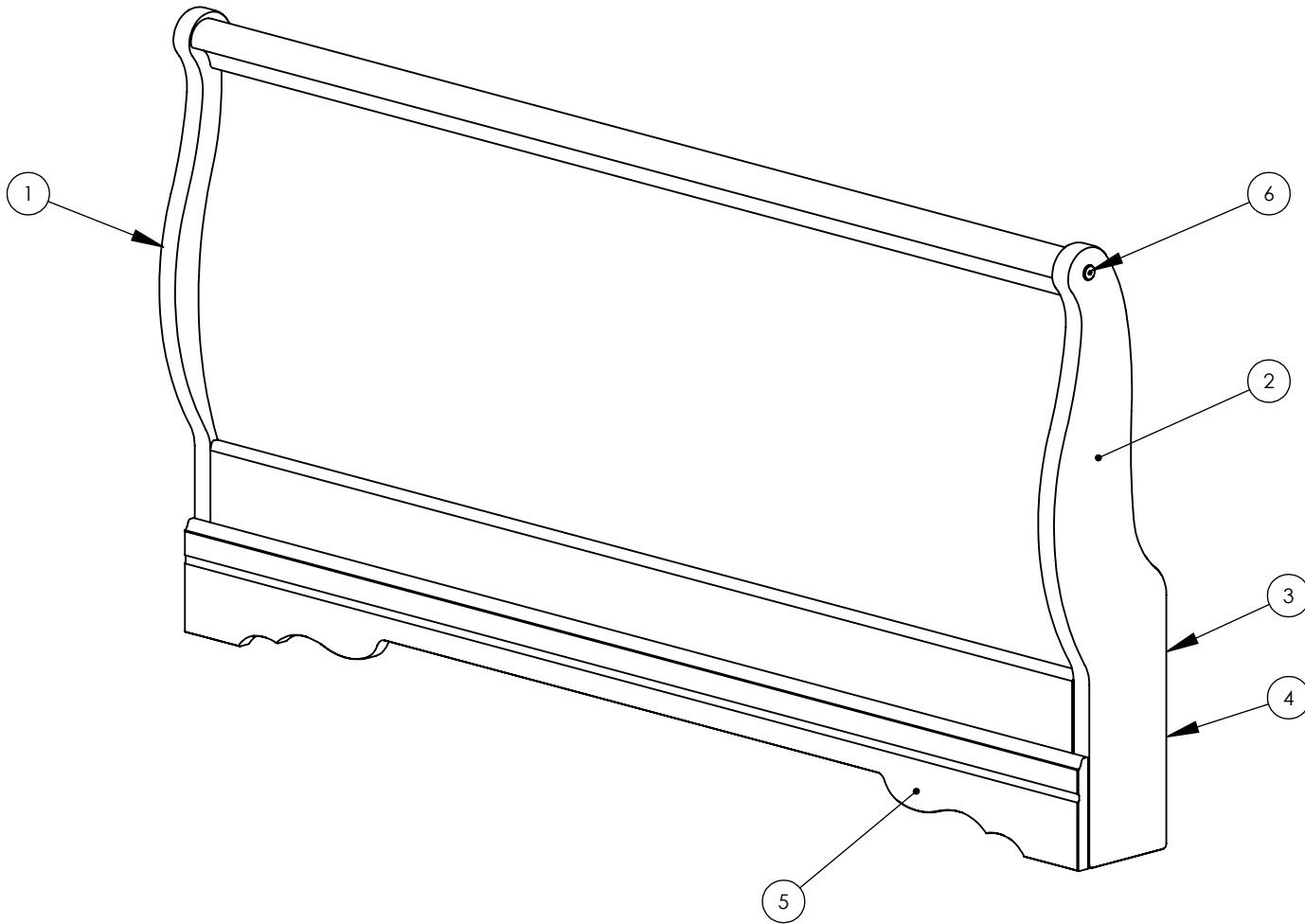
| | | | |
|----------------|--|------|---------|
| Dwg#: 33087 |  | | |
| Scale: 1:10 | TOLERANCES ARE: METRIC..... +.5 / -.5mm DECIMAL..... 0 / -.005" FRACTIONAL..... +0 / -1/32" (UNLESS OTHERWISE SPECIFIED) | | |
| Date: 4/3/2008 | Desc: Headboard CS | | |
| Rev. | Description | Date | Cad/Eng |




| Item# | Qty | Description | MATERIAL |
|-------|-----|-------------------------|----------|
| 1 | 1 | LEFT SLEIGH LEG | WOOD |
| 2 | 1 | RIGHT SLEIGH LEG | WOOD |
| 3 | 1 | HORIZONTAL RAIL | WOOD |
| 4 | 2 | MITERED BEDPOST BRACKET | METAL |
| 5 | 1 | BASESTRIP | WOOD |
| 6 | 2 | M7 JOINT CONNECTOR | METAL |

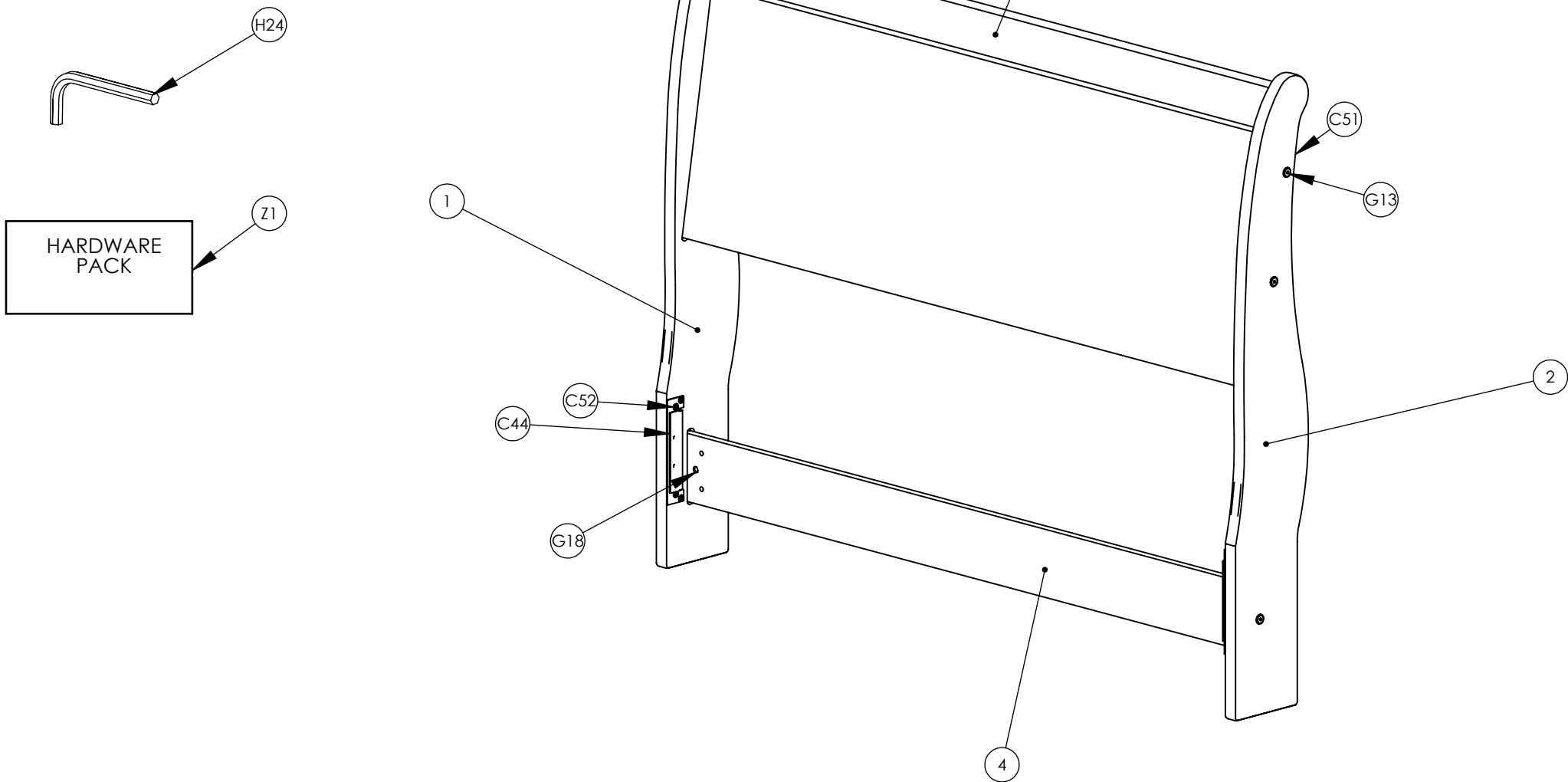


| Dwg#: 33089 | |  | |
|--------------------|--------------------|--|---------|
| Scale: 1:10 | | TOLERANCES ARE: METRIC: +.5 / -.5mm DECIMAL: 0 / -.005" FRACTIONAL: +0 / -1/32" (UNLESS OTHERWISE SPECIFIED) | |
| Date: 4/3/2008 | | Desc: Footboard CS | |
| Rev. | Description | Date | Cad/Eng |
| A | UPDATED PARTS LIST | 12/1/2016 | JRP/TH |



| Item# | Qty | Description | MATERIAL |
|-------|-----|------------------------------------|----------|
| 1 | 1 | LEFT SLEIGH LEG | WOOD |
| 2 | 1 | RIGHT SLEIGH LEG | WOOD |
| 3 | 1 | TOP RAIL | WOOD |
| 4 | 1 | SUPPORT RAIL | WOOD |
| C44 | 2 | (C44) MITERED BEDPOST BRACKET | METAL |
| C51 | 4 | (C51) 1/4-20X1/2 FLANGE INSERT REV | METAL |
| C52 | 8 | (C52) 8 X 7/8 WH SCREW | METAL |
| G13 | 6 | (G13) 1/4-20X60MM JOINT CONNECTOR | METAL |
| G18 | 2 | (G18) 1/4-20 X 16 CROSS DOWEL | METAL |
| H24 | 1 | (H24) ALLEN WRENCH | METAL |
| Z1 | 1 | (Z1) HARDWARE PACK | METAL |

| | | | |
|-----------------|--|------|---------|
| Dwg#: 33090 |  | | |
| Scale: 1:10 | TOLERANCES ARE: METRIC..... +.5 / -.5mm DECIMAL..... 0 / -.005" FRACTIONAL..... +0 / -1/32" (UNLESS OTHERWISE SPECIFIED) | | |
| Date: 3/22/2008 | Desc: Headboard CS | | |
| Rev. | Description | Date | Cad/Eng |




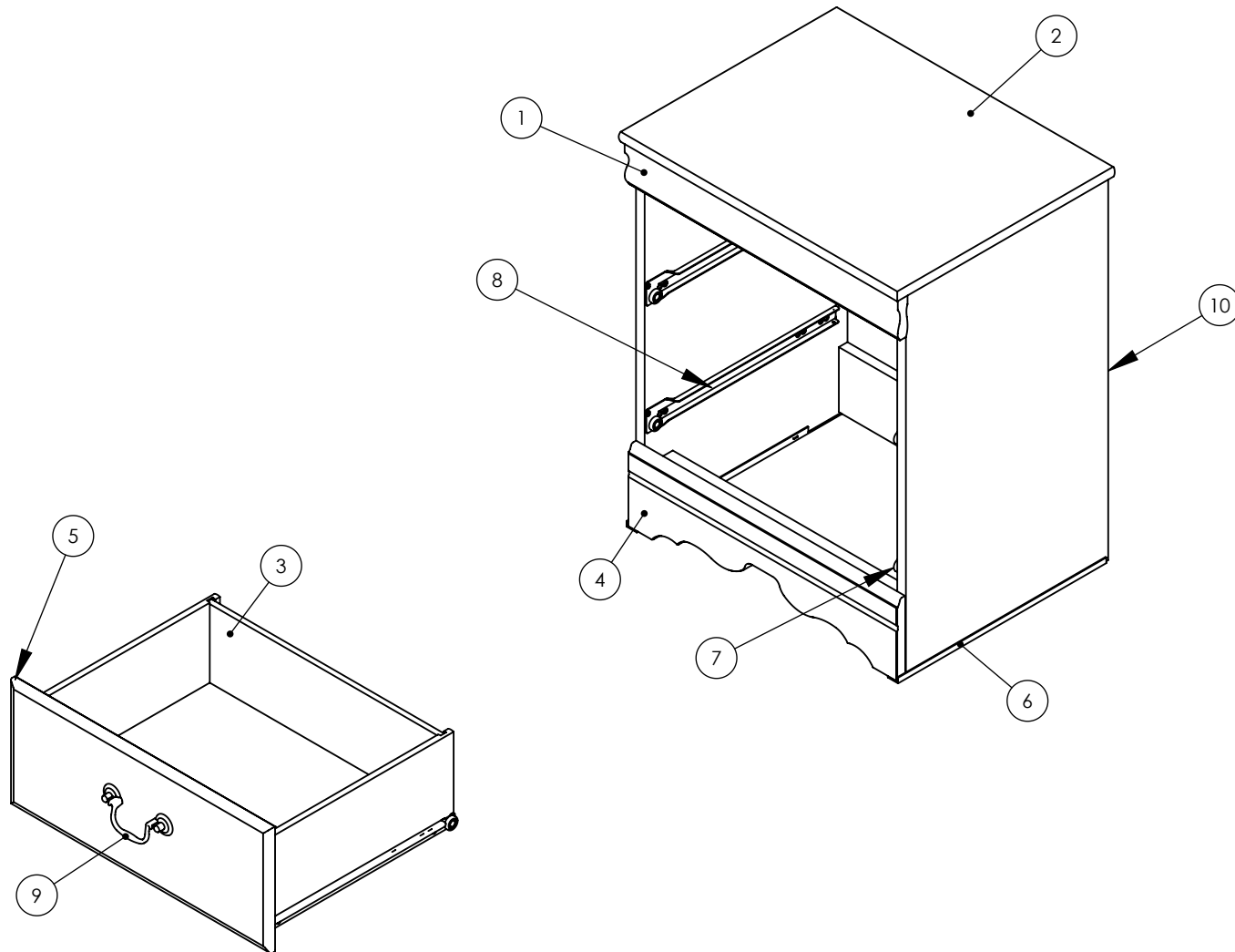
| Item# | Qty | Description | MATERIAL |
|-------|-----|---------------------|----------------|
| 1 | 1 | RAIL ASSEMBLY | WOOD |
| 2 | 1 | TOP ASSEMBLY | WOOD |
| 3 | 2 | DRAWER ASSEMBLY | WOOD, METAL |
| 4 | 1 | BASESTRIP | WOOD |
| 5 | 4 | BLACK FELT PAD | FABRIC |
| 6 | 2 | CHANNEL MOULDING | PLASTIC |
| 7 | 2 | RIGHT CABINET GLIDE | METAL, PLASTIC |
| 8 | 2 | LEFT CABINET GLIDE | METAL, PLASTIC |
| 9 | 2 | HANDLE | METAL |
| 10 | 1 | UNIT BACK | WOOD |

△E


△G

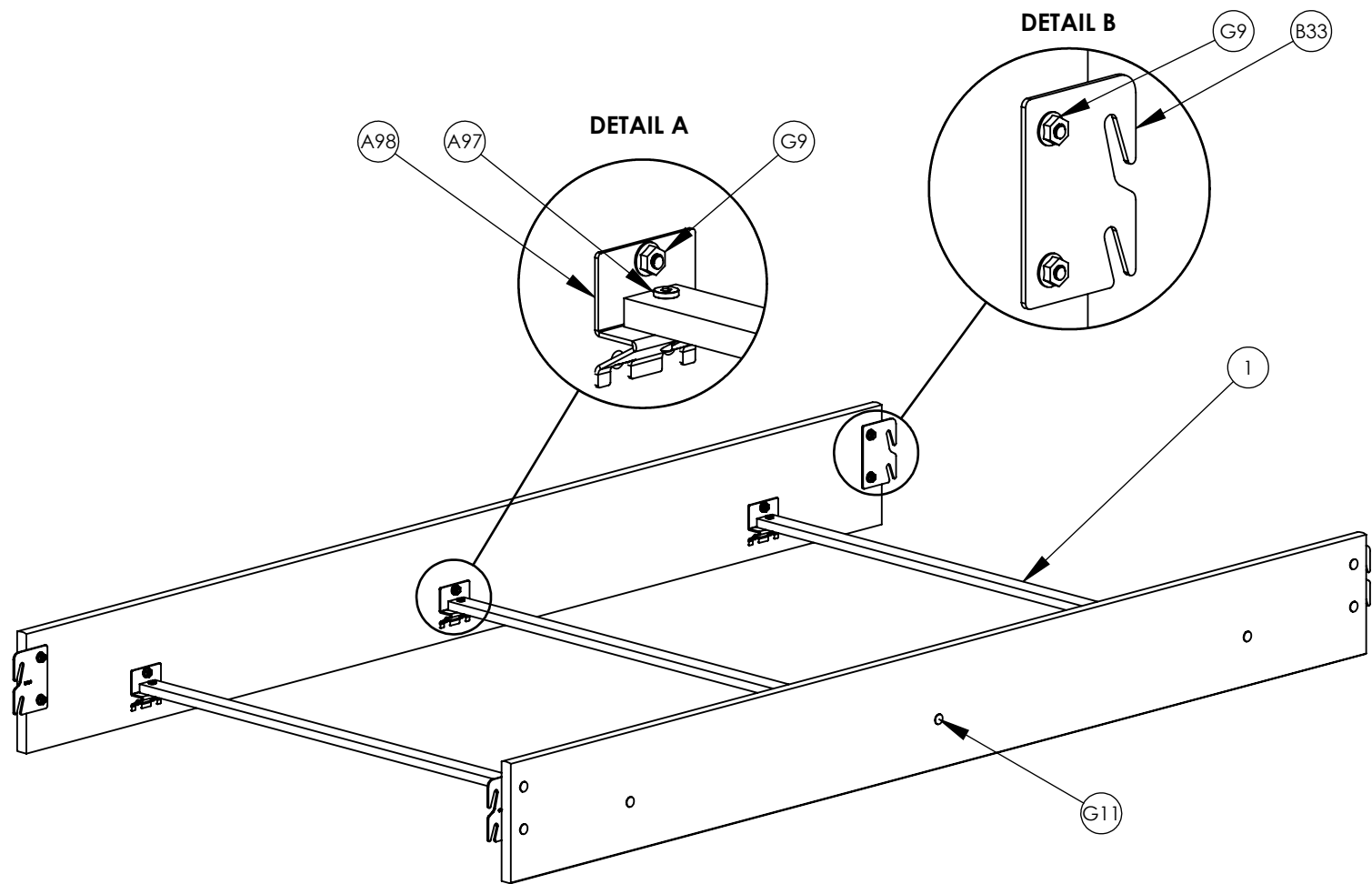
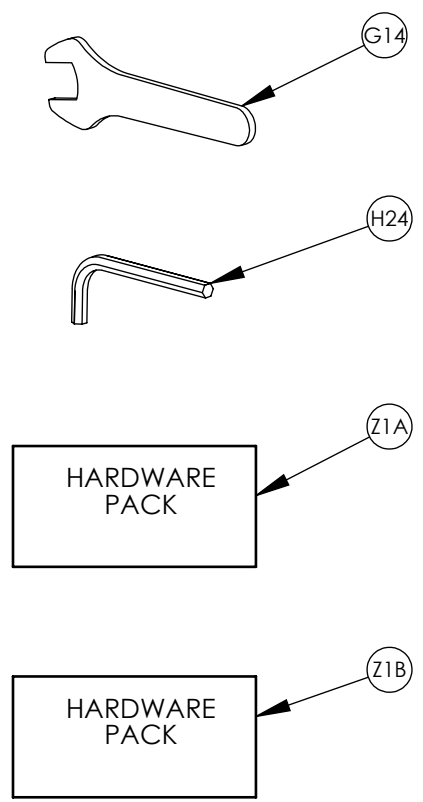
△F

| Dwg#: 33092 | |  | |
|--------------------|---|--|---------|
| Scale: 1:33.3 | | TOLERANCES ARE: METRIC..... +.5 / -.5mm DECIMAL..... 0 / -.005" FRACTIONAL..... +0 / -1/32" (UNLESS OTHERWISE SPECIFIED) | |
| Date: 2/28/2008 | | | |
| Desc: Nightstand | | | |
| Rev. | Description | Date | Cad/Eng |
| E | CABINET GLIDE WAS DRAWER GLIDE AND UPDATED PARTS LIST | 6/6/2016 | LB/TH |
| F | UPDATED PRINT AND REMOVED OLD REVISIONS | 11/22/2016 | TH |
| G | ADDED ITEM 10 & UPDATED PARTS LIST | 12/2/2016 | JRP/TH |




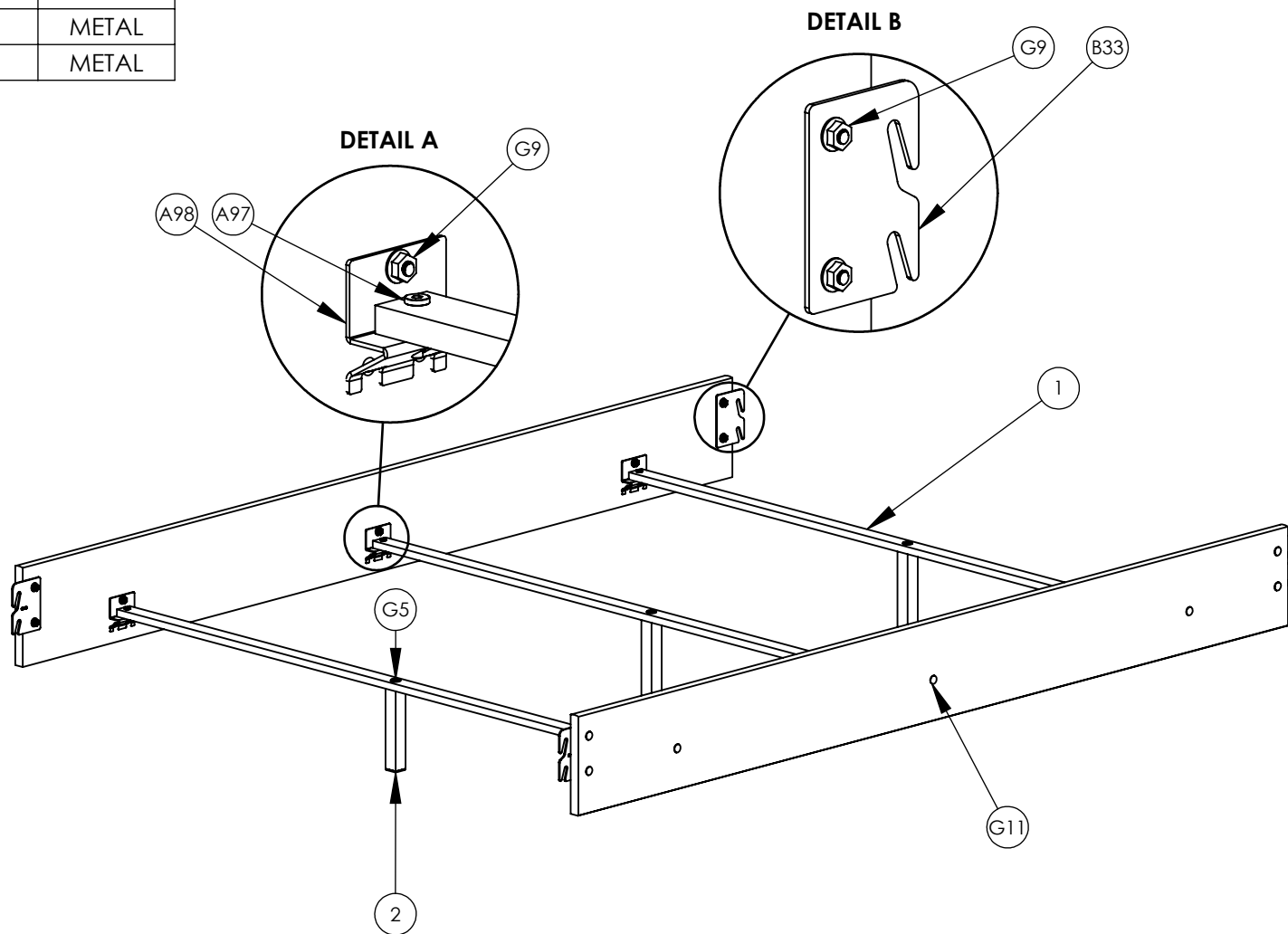
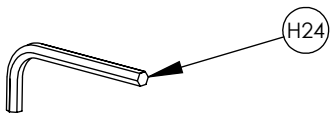
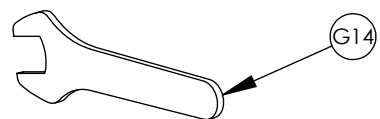
| Item# | Qty | Description | MATERIAL |
|-------|-----|----------------------------------|----------|
| 1 | 3 | TWIN METAL CROSS SLAT | METAL |
| A97 | 6 | (A97) 1/4-20 X 25 Z BRACKET BOLT | METAL |
| A98 | 6 | (A98) METAL BED RAIL Z BRACKET | METAL |
| B33 | 4 | (B33) METAL BOLT ON BED HOOK | METAL |
| G11 | 14 | (G11) 1/4-20 X 1 1/8 CAR BOLT | METAL |
| G14 | 1 | (G14) 7/16 METAL WRENCH | METAL |
| G9 | 14 | (G9) 1/4-20 SERRATED FLANGE NUT | METAL |
| H24 | 1 | (H24) ALLEN WRENCH | METAL |
| Z1A | 1 | (Z1A) BED RAIL BOLT PACK (14-CB) | METAL |
| Z1B | 1 | (Z1B) HARDWARE PACK | METAL |

| | | | |
|------------------|--|------|---------|
| Dwg#: 33378 |  | | |
| Scale: 1:20 | TOLERANCES ARE: METRIC.....+ .5 / -.5mm DECIMAL.....0 / -.005" FRACTIONAL.....+0 / -1/32" (UNLESS OTHERWISE SPECIFIED) | | |
| Date: 10/24/2007 | Desc: Tw Bed Rails CS | | |
| Rev. | Description | Date | Cad/Eng |




| Item# | Qty | Description | MATERIAL |
|-------|-----|----------------------------------|----------|
| 1 | 3 | FULL METAL CROSS SLAT | METAL |
| 2 | 3 | METAL CENTER SUPPORT LEG 150MM | METAL |
| A97 | 6 | (A97) 1/4-20 X 25 Z BRACKET BOLT | METAL |
| A98 | 6 | (A98) METAL BED RAIL Z BRACKET | METAL |
| B33 | 4 | (B33) METAL BOLT ON BED HOOK | METAL |
| G11 | 14 | (G11) 1/4-20 X 1 1/8 CAR BOLT | METAL |
| G14 | 1 | (G14) 7/16 METAL WRENCH | METAL |
| G5 | 3 | (G5) 1/4-20X30MM JOINT CONNECTOR | METAL |
| G9 | 14 | (G9) 1/4-20 SERRATED FLANGE NUT | METAL |
| H24 | 1 | (H24) ALLEN WRENCH | METAL |
| Z1A | 1 | (Z1A) BED RAIL BOLT PACK (14-CB) | METAL |
| Z1B | 1 | (Z1B) HARDWARE PACK | METAL |

| | | | |
|------------------|--|------|---------|
| Dwg#: 33379 |  | | |
| Scale: 1:25 | TOLERANCES ARE: METRIC.....+ .5 / - .5mm DECIMAL.....0 / - .005" FRACTIONAL.....+0 / -1/32" (UNLESS OTHERWISE SPECIFIED) | | |
| Date: 12/27/2023 | Desc: FI Bed Rails (150) CS | | |
| Rev. | Description | Date | Cad/Eng |



| Item# | Qty | Description | MATERIAL |
|-------|-----|----------------------------------|----------|
| 1 | 3 | QUEEN METAL CROSS SLAT | METAL |
| 2 | 3 | METAL CENTER SUPPORT LEG 150MM | METAL |
| A97 | 6 | (A97) 1/4-20 X 25 Z BRACKET BOLT | METAL |
| A98 | 6 | (Z98) METAL BED RAIL Z BRACKET | METAL |
| B33 | 4 | (B33) METAL BOLT ON BED HOOK | METAL |
| G11 | 14 | (G11) 1/4-20 X 1 1/8 CAR BOLT | METAL |
| G14 | 1 | (G14) 7/16 METAL WRENCH | METAL |
| G5 | 3 | (G5) 1/4-20X30MM JOINT CONNECTOR | METAL |
| G9 | 14 | (G9) 1/4-20 SERRATED FLANGE NUT | METAL |
| H24 | 1 | (H24) ALLEN WRENCH | METAL |
| Z1A | 1 | (Z1A) BED RAIL BOLT PACK (14-CB) | METAL |
| Z1B | 1 | (Z1B) HARDWARE PACK | METAL |

| | | | |
|------------------------------------|-------------|---|---------|
| Dwg#: 33380 | |  | |
| Scale: 1:25 | | TOLERANCES ARE: METRIC:.....+ .5 / -.5mm DECIMAL:.....0 / -.005" FRACTIONAL:.....+0 / -1/32" (UNLESS OTHERWISE SPECIFIED) | |
| Date: 12/28/2023 | | | |
| Desc: Qn Bed Rails (150) CS | | | |
| Rev. | Description | Date | Cad/Eng |

