
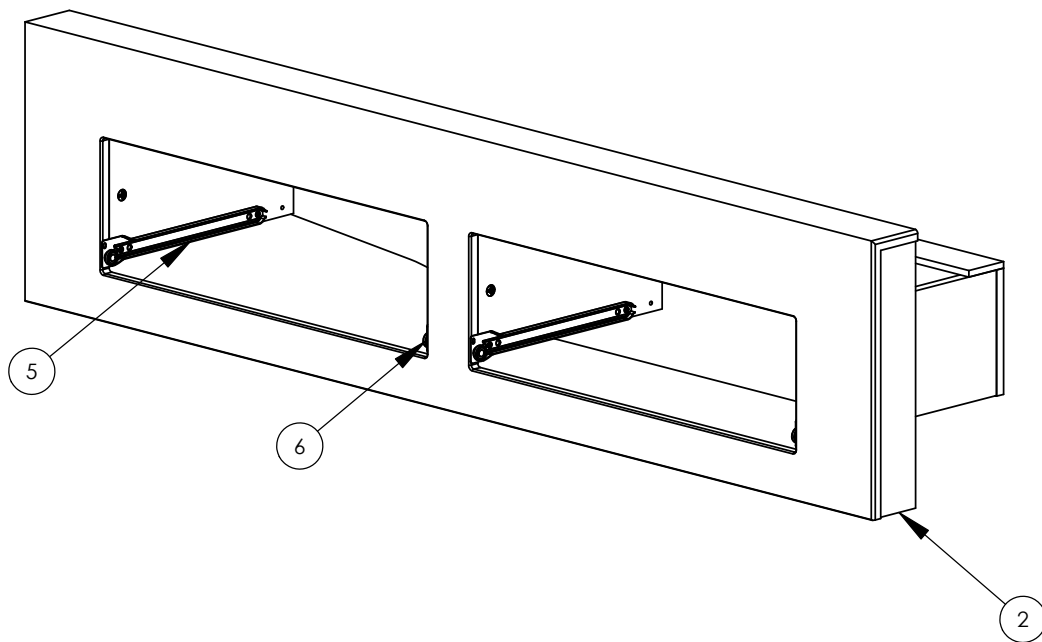
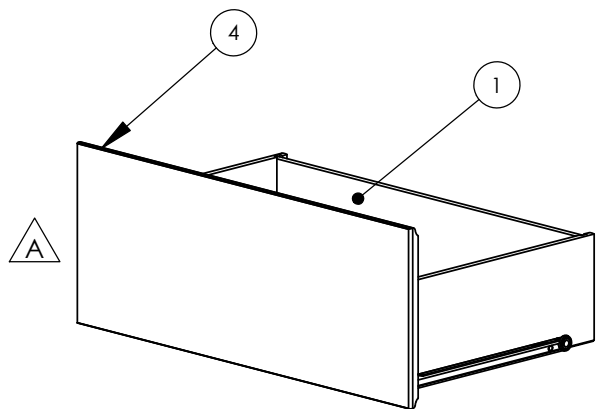


Item #	Qty	Description	Material
1	2	DRAWER ASSEMBLY***	WOOD/METAL
2	2	MTR VERT RAIL	WOOD
3	2	MTR BEDPOST BRACKET	METAL
4	4	FELT PAD	FABRIC
5	2	LEFT DRAWER GLIDE	METAL
6	2	RIGHT DRAWER GLIDE	METAL

***-USE DRAWER ASSEMBLY BEFORE 1/5/2019

***-USE DRAWER ASSEMBLY B AFTER 1/5/2019

Dwg#: 34931			
Scale: 1:20		TOLERANCES ARE: METRIC.....+ .5 / - .5mm DECIMAL.....0 / - .005" FRACTIONAL.....+0 / - 1/32" (UNLESS OTHERWISE SPECIFIED)	
Date: 6/20/2017		Desc: Footboard Storage	
Rev.	Description	Date	Cad/Eng
A	CHANGED DRAWER ASSEMBLY	12/13/2018	BM



BACK VIEW

