

CUBIC

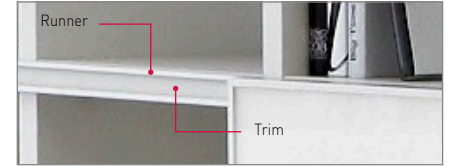
— By Actiu —



■ FEATURES



Runners which includes the trim with the same finish as the storage. They are use with anodized aluminium doors.



MFC board 1 1/4" thickness

Back MFC board 3/8" thickness

Optional security glass doors 1/4" thickness and anodized aluminium profile
Optional MFC doors 5/8" thickness. Zamak handle

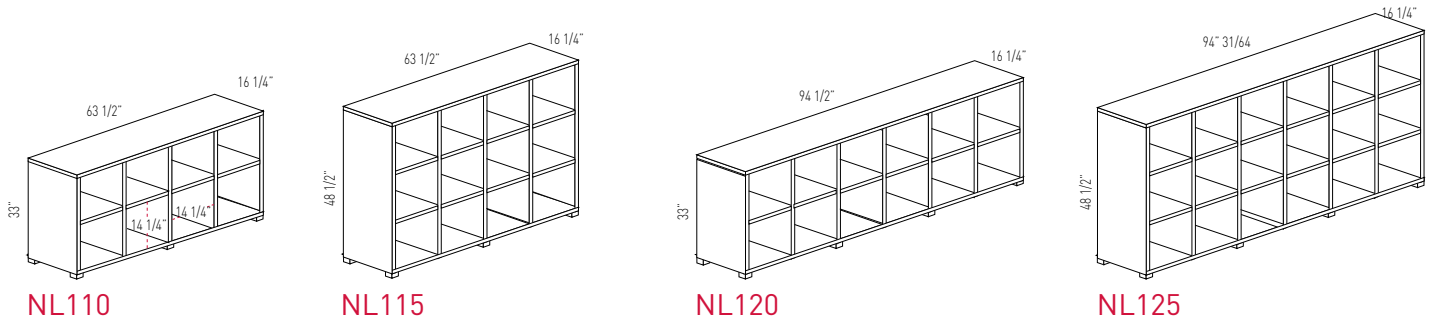


Black polyamide feet



■ MODELS

Modules manufactured by mfc board 1 1/4" thickness



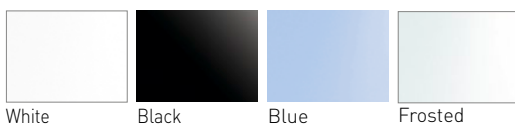
■ MFC FINISHES

(see finishes card)



■ GLASS DOORS FINISHES

(see finishes card)



Aluminium Handle:

- White MFC or Lime Oak: White Handle.
- White MFC / Lime oak: White Handle.
- Rest of MFC finishes: Aluminium Handle



MATERIALS

Maximum use of materials to eliminate and minimize scraps. Use of recyclable and recycled materials in those components that do not affect the functionality and durability.

76,68%
RECYCLED
MATERIALS



PRODUCTION

Maximum optimization of energy use. Minimal environmental impact. Last generation technological systems. Zero discharge of wastewater. No VOC coatings. Processes free of heavy metals, phosphates, OC and COD.

100%
RECYCLABLE
ALUMINIUM, STEEL
& WOOD



TRANSPORT

Detachable systems. Volumes that facilitate the optimization of space. Maximum reduction of energy consumption by transport.

100%
RECYCLABLE
PACKAGE AND THINNER
FREE



USE

Quality and warranty. Long lasting. Replacements available.

EASY
TO CLEAN
AND MAINTAIN



DISPOSAL

Waste reduction. Supplier-manufacturer packaging reuse system. Components are easy to be separated. Inks in packaging are water-based, without solvents.

96,02%
RECYCLABLE
MATERIALS

■ **CERTIFICATES AND REFERENCES**

The different programmes get points in different environmental categories to get the LEED certificate (sustainability, material and resources, water, energy and atmosphere, inner environment quality, innovation and design).



The mark of responsible forestry



PEFC Certificate



EN ISO 14006:2011
ECODESIGN Certificate



UNE-EN ISO 9001:2008
ISO 9001 Certificate



UNE-EN ISO 14001:2004
ISO 14001 Certificate



E1 Certificate
by EN 13986



California 93120
Compliant Formaldehyde Phase 2



ACTIU TECHNOLOGY PARK
LEED® PLATINUM certified by USGBC
Leadership in Energy & Environmental Design
LEED® Gold certified 2011 - LEED® Platinum certified 2017

■ **STANDARDS**

CUBIC has passed tests done in our technical department as well as the tests done in **AIDIMA** the Technological Institute for furniture. The tests correspond to **UNE** standards and Filing system cabinets:

- **UNE: EN14073-2:05.** Office furniture. Tables and desks and storage furniture. Safety requirements.
- **UNE: EN 14073-3:05.** Office furniture. Tables and desks and storage furniture. Test methods for the determination of stability and strength of the structure.
- **UNE: EN 14074:05.** Office furniture. Tables and desks and storage furniture. Test methods for the determination of strength and durability of moving parts.