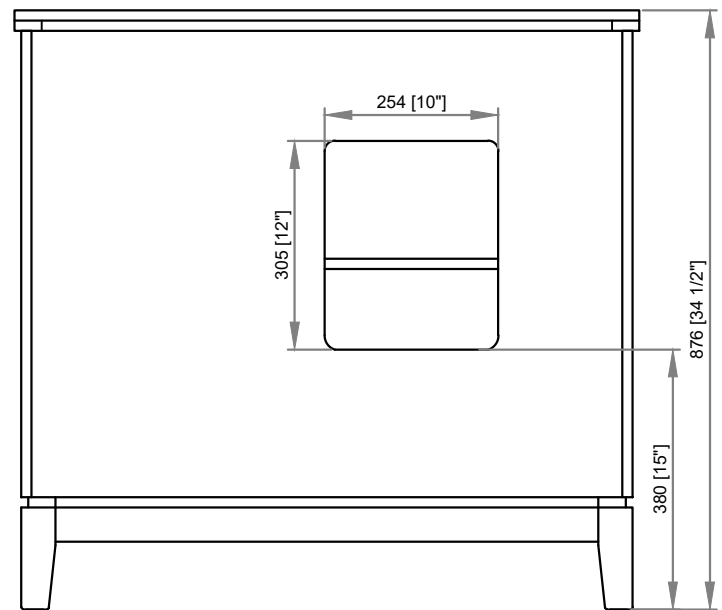
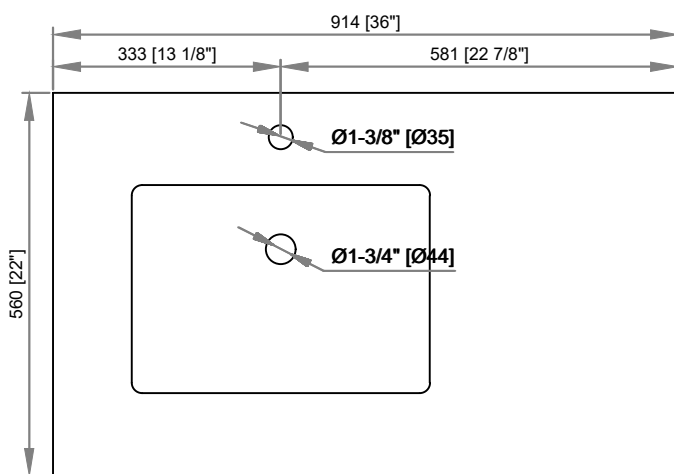
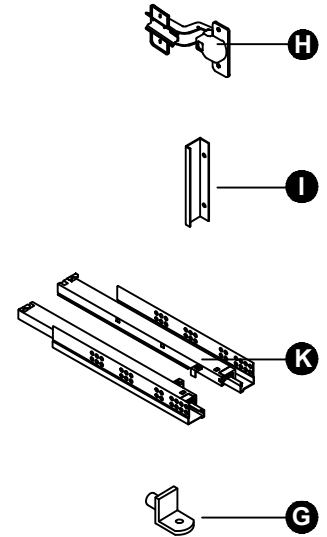
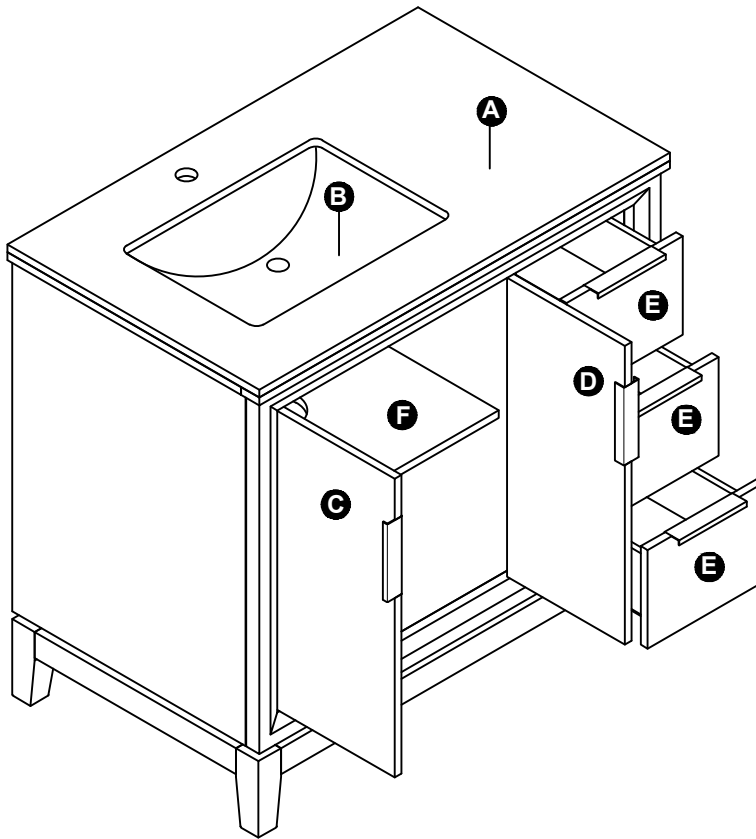


DIMENSIONS



#1

PART LIST



PART #	DESCRIPTION	QUANTITY
A	Countertop	1
B	Basin	1
C	Door (left)	1
D	Door (right)	1
E	Drawer	3
F	Adjustable shelf	1
H	Hinge (door)	4
I	Handle	5
K	Drawer glides	3
G	Shelf holder	4

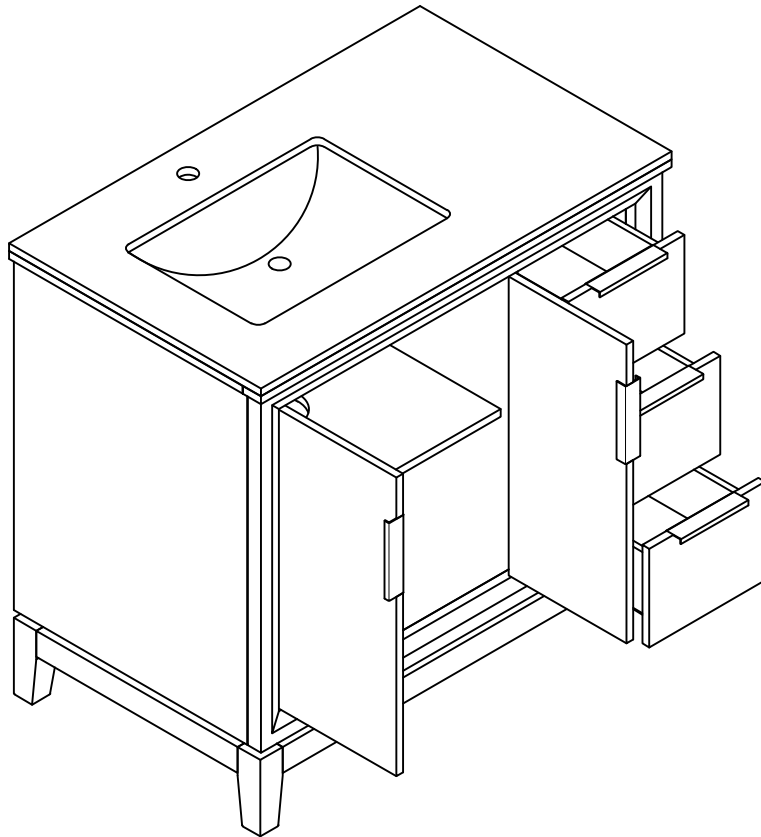
TOOLS REQUIRED (not supplied)



#2

DRAWER

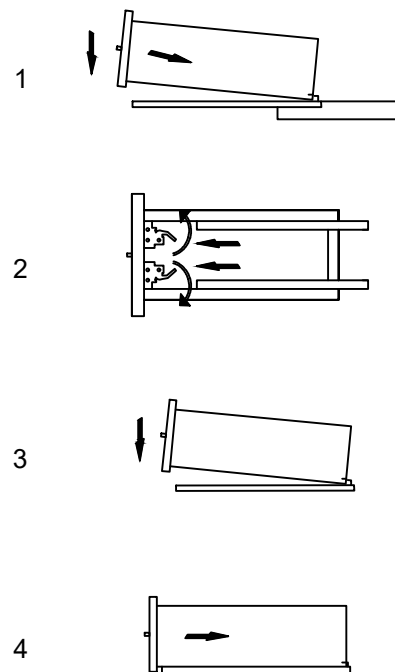
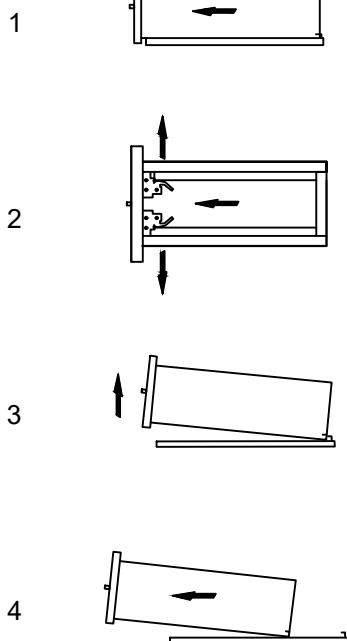
A

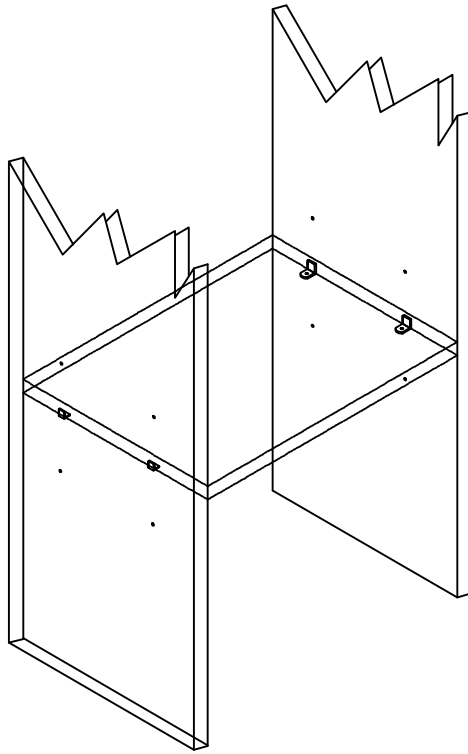


REMOVE

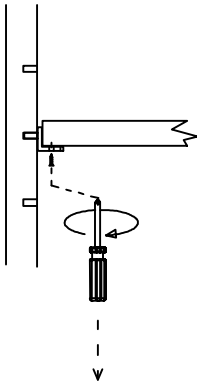
INSTALL

B C

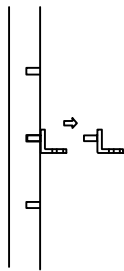




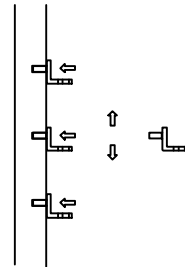
1



2



1



2

