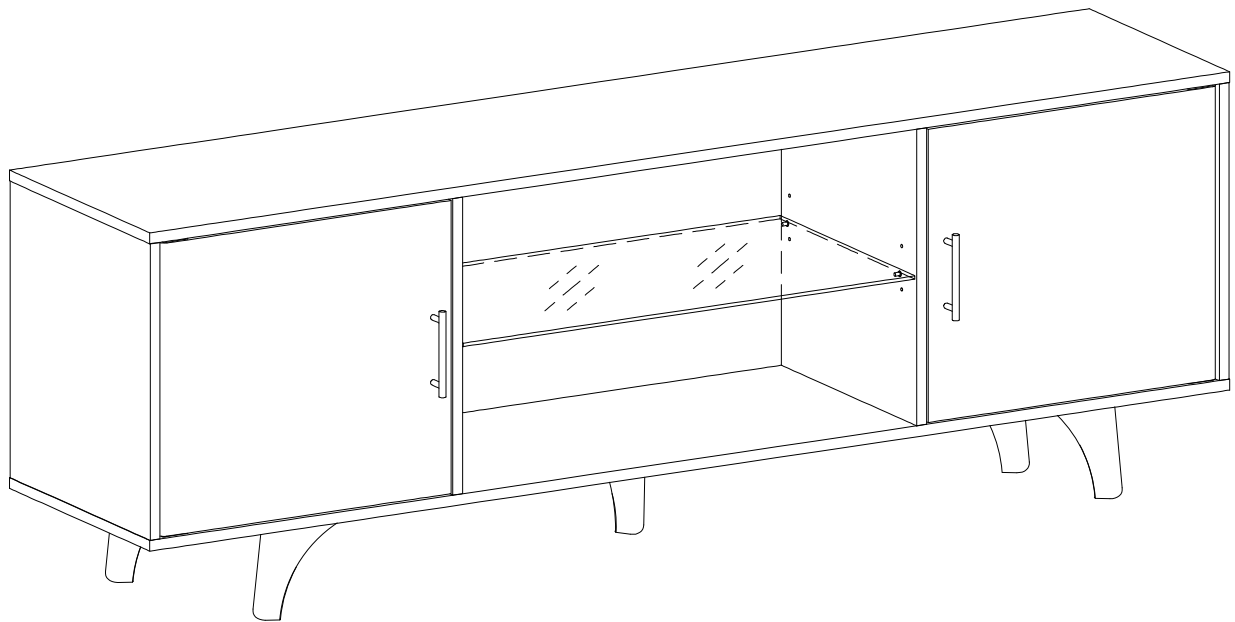


Item Code-FL03-70-110
Assembly Instructions





ATTENTION: Is your product damaged or missing assembly instructions?

DO NOT RETURN!!!PLEASE READ THE FOLLOWING!!!

For Replacement / Missing Parts: www.modarte.com/parts

For Assembly Instructions and Assembly Videos: <https://modarte.com/assembly/>

All other enquiries, please send email to: operations@modarte.com or 973-264-1228

IF YOU ARE MISSING PARTS, OR PARTS ARRIVED DAMAGED:

For fastest service, please contact us and we will mail you replacements parts the next business day. To request replacement parts, please fill out a parts request form on our website at www.modarte.com/parts, or email us at operations@modarte.com. DO NOT RETURN TO THE RETAILER.

CUSTOMER CARE

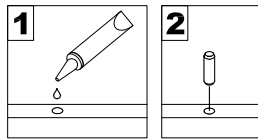
For any other customer service enquiries, please feel free to reach out to us:

operations@modarte.com or 973-264-1228

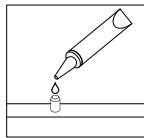
Thank You!

General Assembly Guidelines

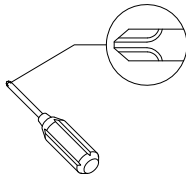
- I. Ensure that all parts and hardware are available before beginning assembly.
- II. Follow each step carefully to ensure the proper assembly of this product.
- III. Two people are recommended for ease in the assembly of this product.
Approximate time : 30 Minutes
- IV. The three main types of hardware used to assemble this product are : wood dowels , screws and bolts.
- V. The provided glue is to secure wood dowels in place . When first inserting dowels , locate the appropriate hole for the dowel , place a small amount of glue in the hole and insert the dowel . Wipe away excess glue immediately.



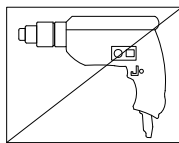
In future assembly steps when dowels are necessary to attach assembly parts together , place a small amount of glue on the end of the dowel before attaching parts together . Wipe away excess glue immediately.



- VI. A Phillips head screwdriver is required for the assembly of this product .


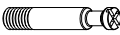






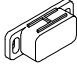

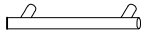
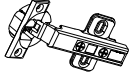

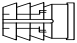
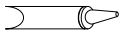


- VII. Power tools should not be used to assemble this product .



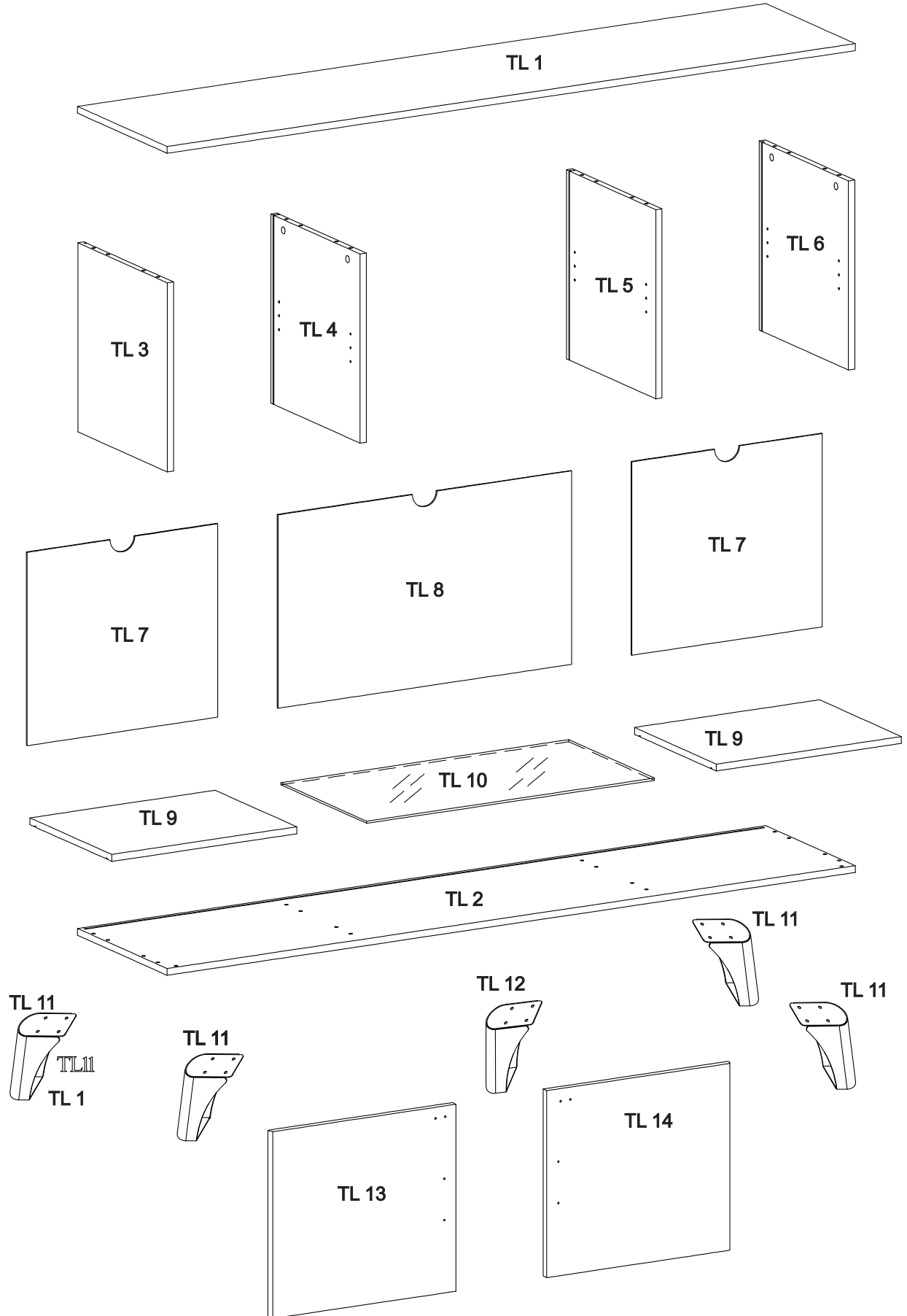
- IX. Surface should be uniform during assembly process.
- X. While door assembly ,ensure gap on all Four sides are equal.
- XI. Mallet can be used to drive in dowel.

HARDWARE LIST

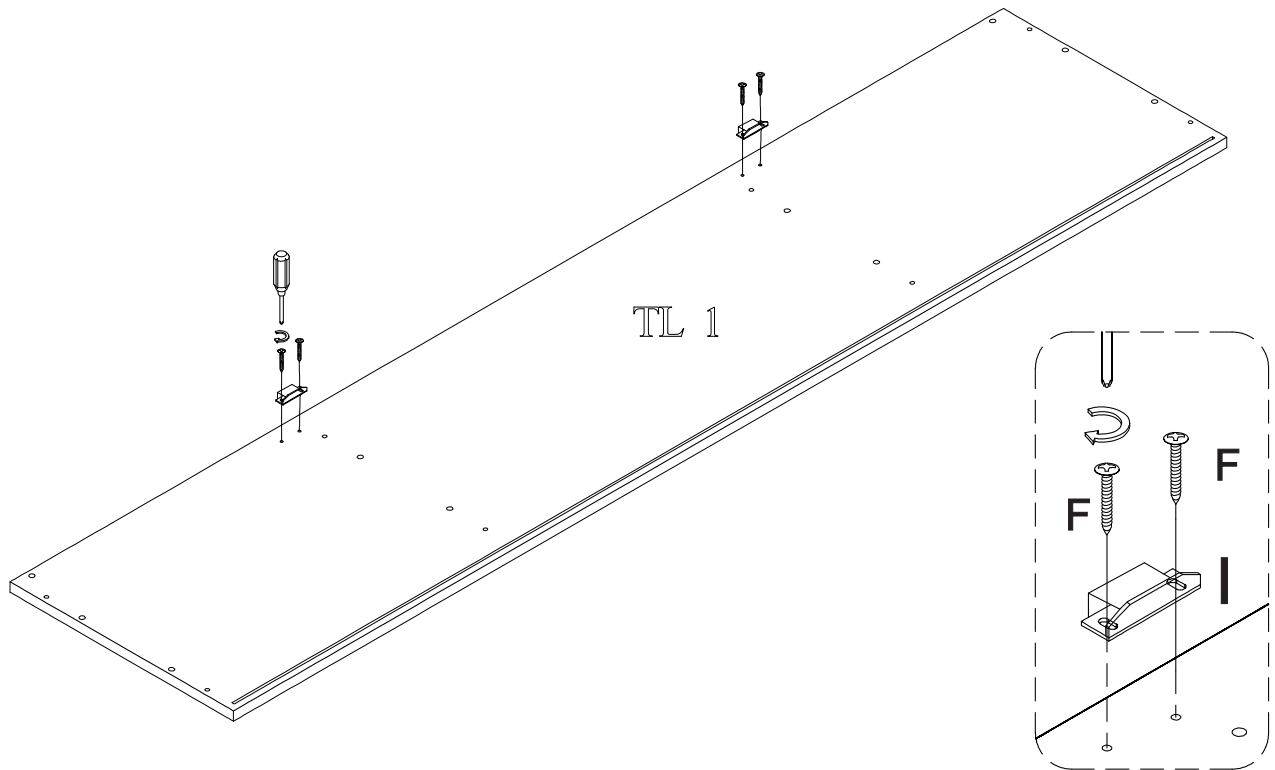
| | | | | |
|---|---|------------|--|--------|
| A |  | Ø8x40mm | Wooden Dowel | 16 pcs |
| B |  | Ø6x35mm | Minifix twister | 8 pcs |
| C |  | Ø15x12mm | Minifix Roster | 8 pcs |
| D |  | Ø15mm | Minifix Cap | 8 pcs |
| E |  | Ø 6x50mm | Shoulder Screw | 8 pcs |
| F |  | Ø 3x16mm | Screw | 44 pcs |
| G |  | Ø 8x5x16mm | Shelf support pins | 8 pcs |
| H |  | Ø 8x5x16mm | Glass Holder | 4 pcs |
| I |  | | Door Magnetic catcher with Removal plate | 2 pcs |
| J |  | Ø 5x25mm | Door Handle Screw | 4 pcs |
| K |  | | Door Handle | 2 pcs |
| L |  | | Door Hinge | 2 Set |
| M |  | Ø5x10mm | PVC Sleeve | 44 pcs |
| N |  | Ø8x13mm | PVC Sleeve | 8 pcs |
| O |  | | Glue tube | 1 pcs |

Note: **PVC SLEEVE AND MINIFIX SOCKET ALREADY FIXED.
IN SOME CASES MINIFIX ROSTER ARE ALREADY FIXED.
SHELF SUPPORT PINS AND GLASS HOLDER ARE SAME (G,H).**

PART LIST

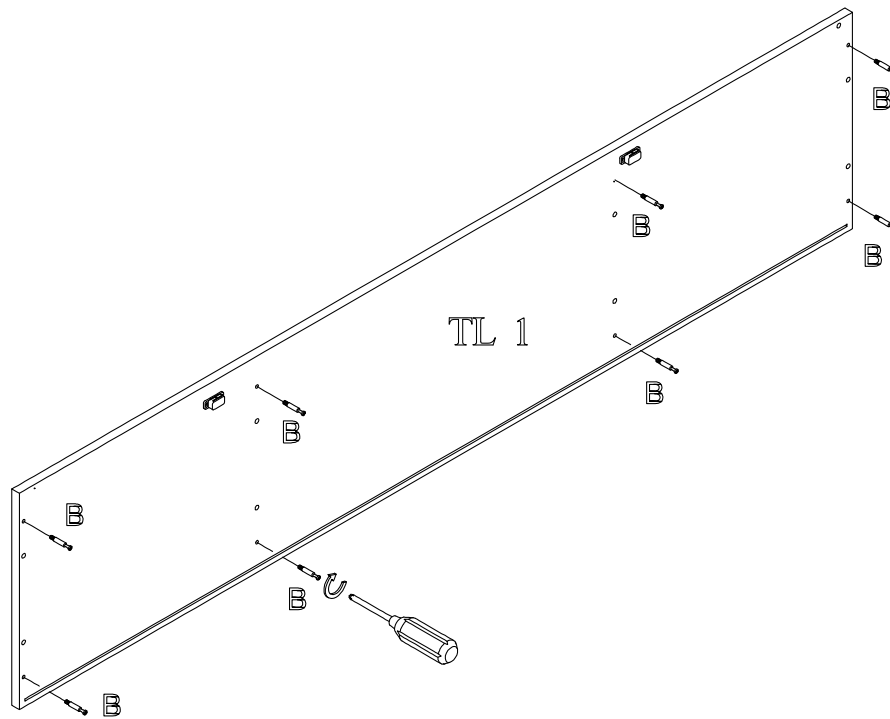


Step 1



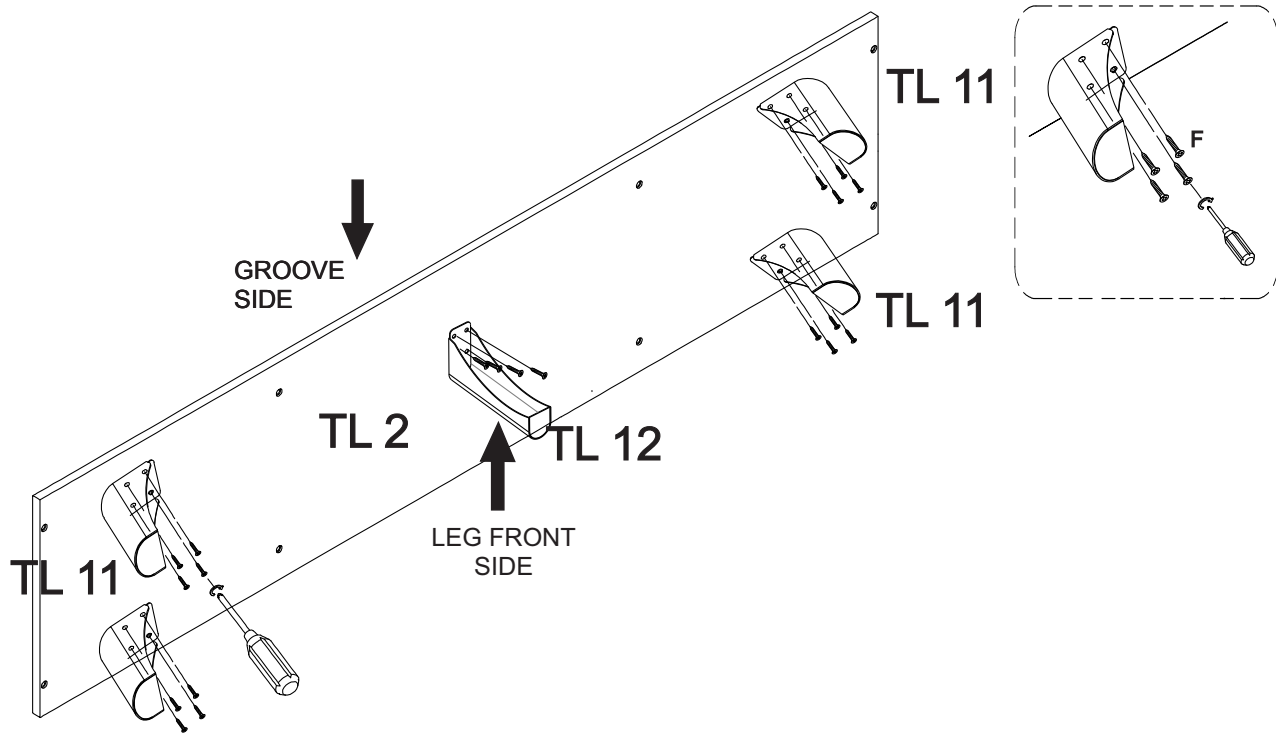
*Attach Door Stopper (I) to part (TL1) using screw (F) with Screw Driver.
Remove magnetic catcher plate for further use.*

Step 2



Attach Minifix Twister(B) to part (TL1) with Screw Driver.

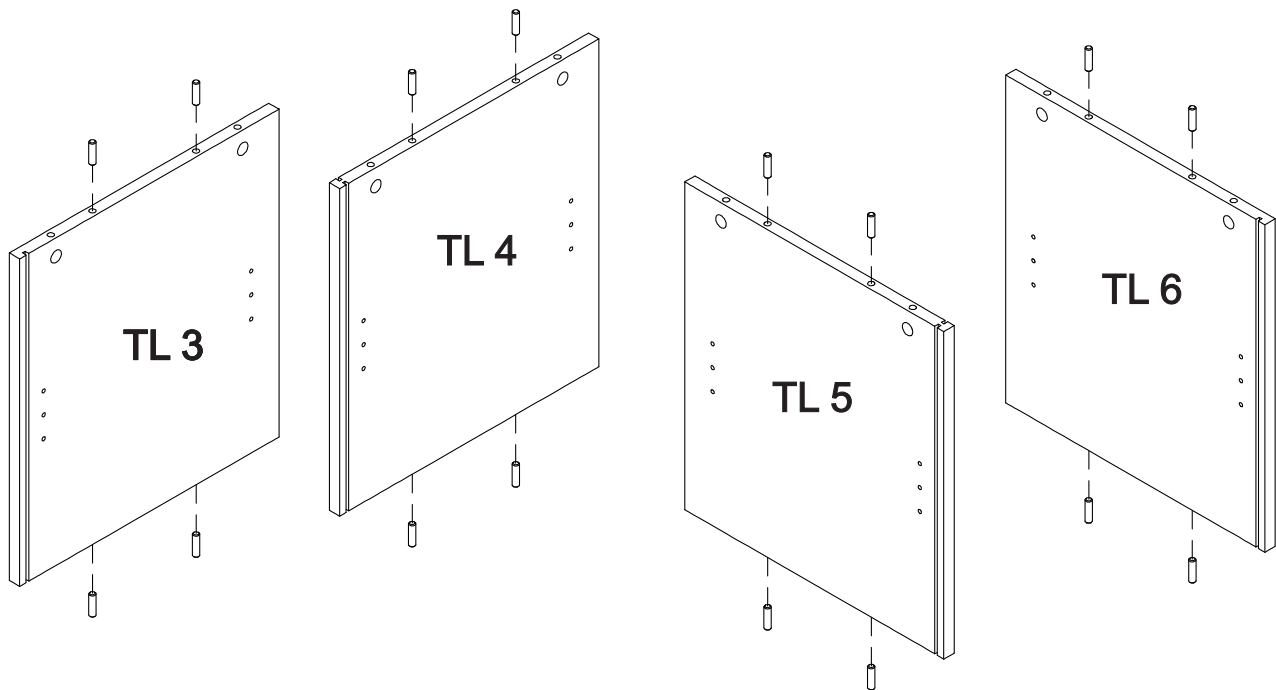
Step 3



TL 11

Check direction of leg while fixing follow the above pic along side and use screw(F) with screw driver.

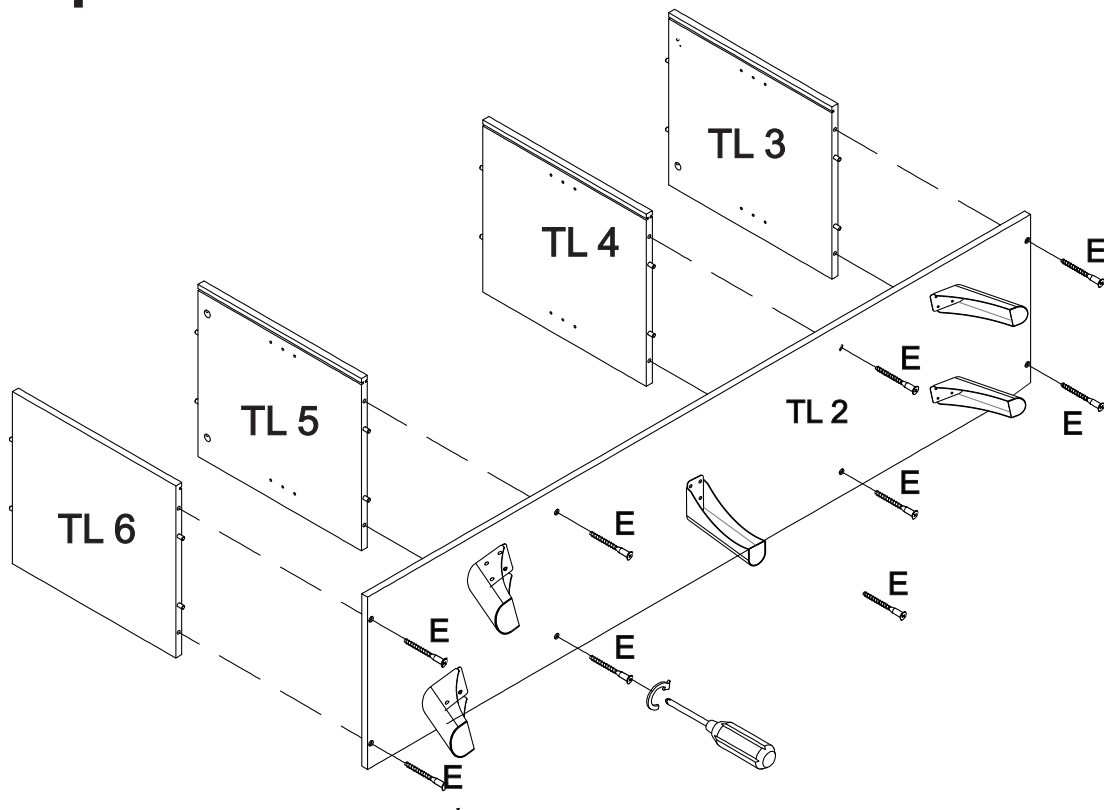
Step 4



Attach Dowel (A) into parts (TL3, TL4, TL5, TL6)

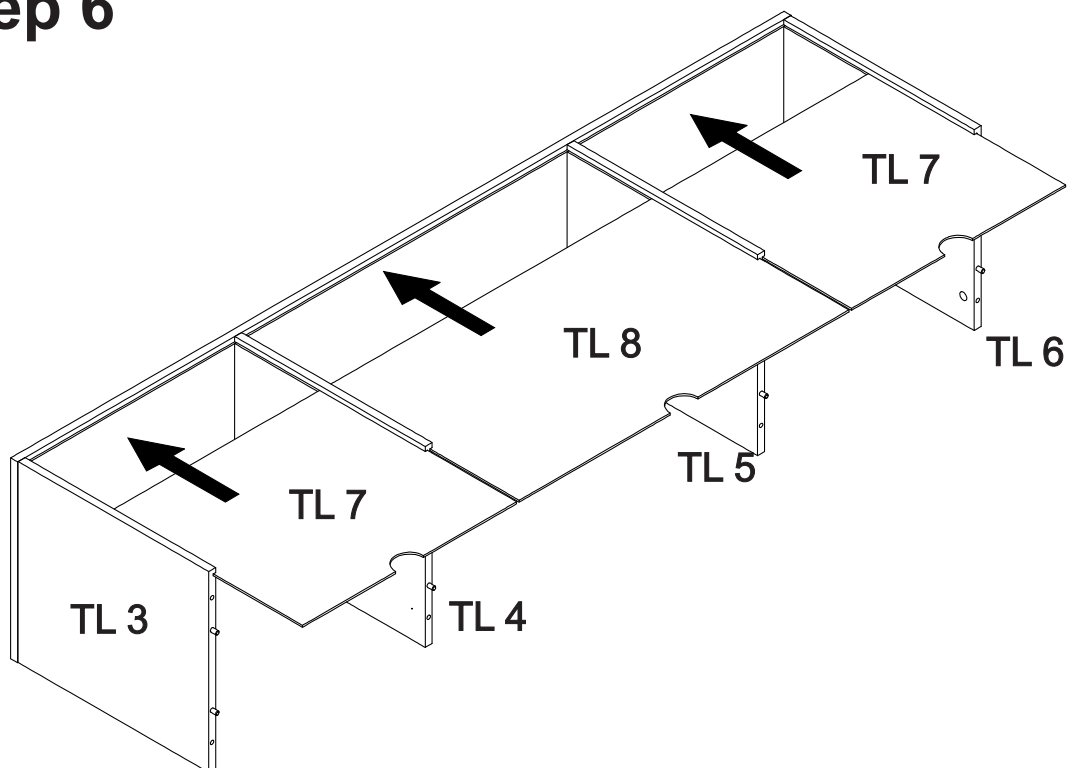
Dowels (A) FIX ONLY IN BLIND HOLES

Step 5



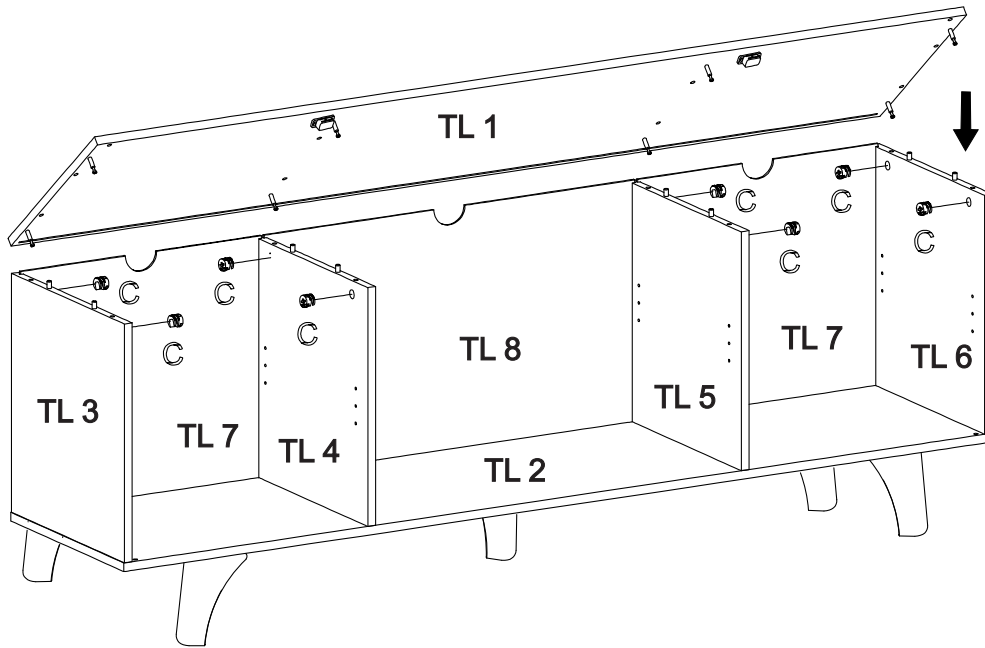
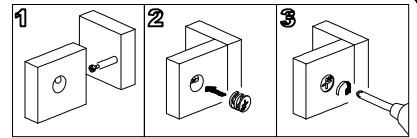
Attach parts (TL3, TL4, TL5, TL6) to part (TL 2) using screw(E).

Step 6



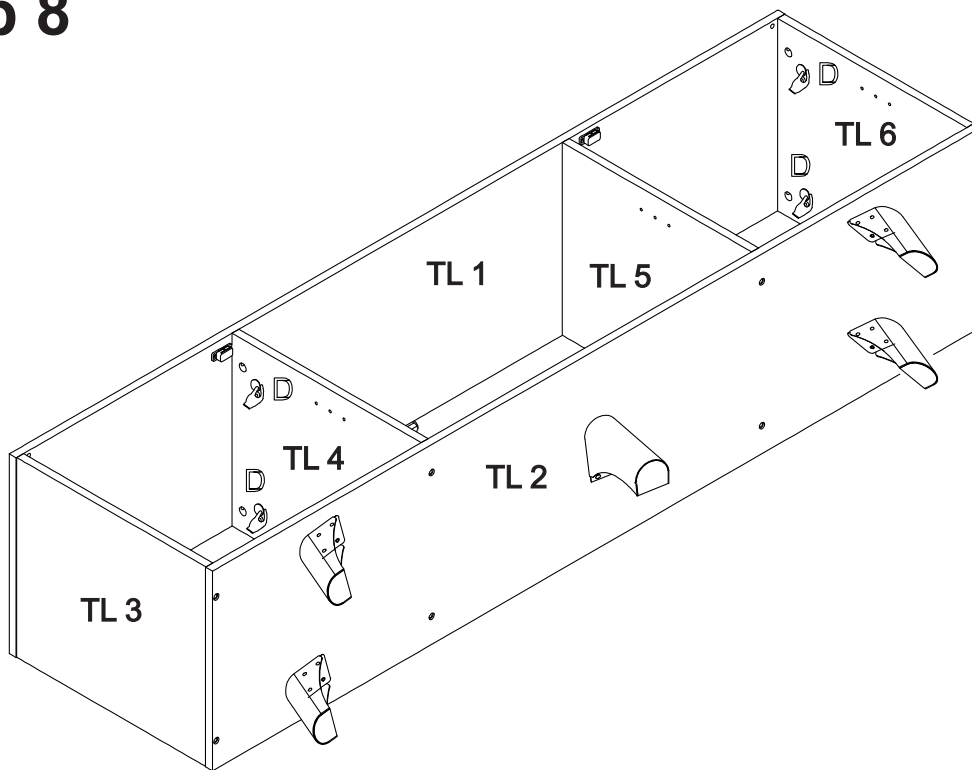
Slide Back Panel (TL7, TL8) into Grooves as per diagram

Step 7



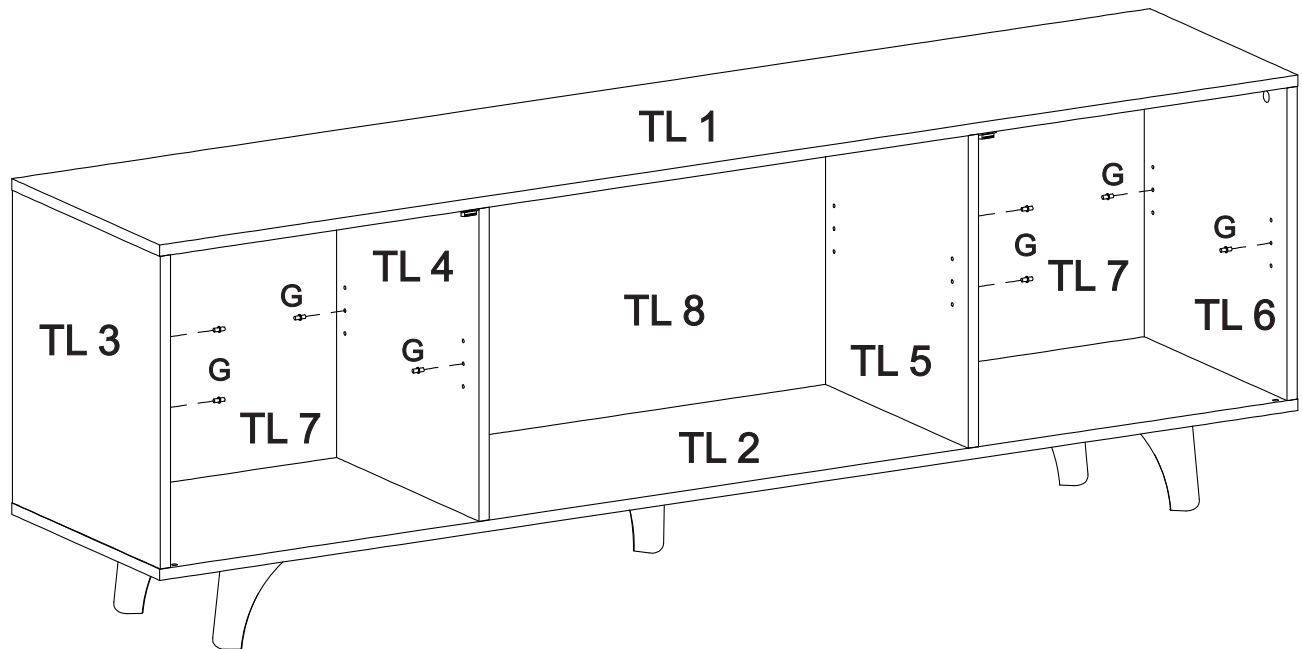
Attach part (TL 1) to parts (TL3,TL4,TL5,TL6) then insert and secure Minifix Roster © to parts (TL3,TL4,TL5,TL6) to lock it.

Step 8



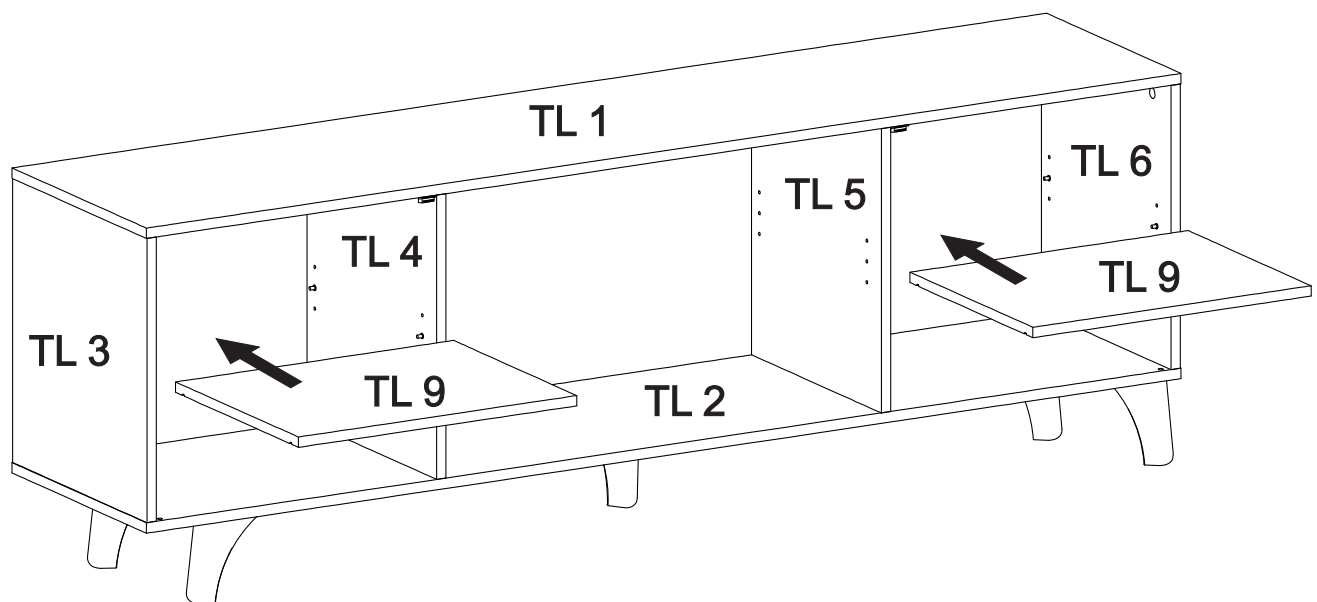
Place sticker(D) to parts (TL3,TL4,TL5,TL6) over holes as per diagram

Step 9



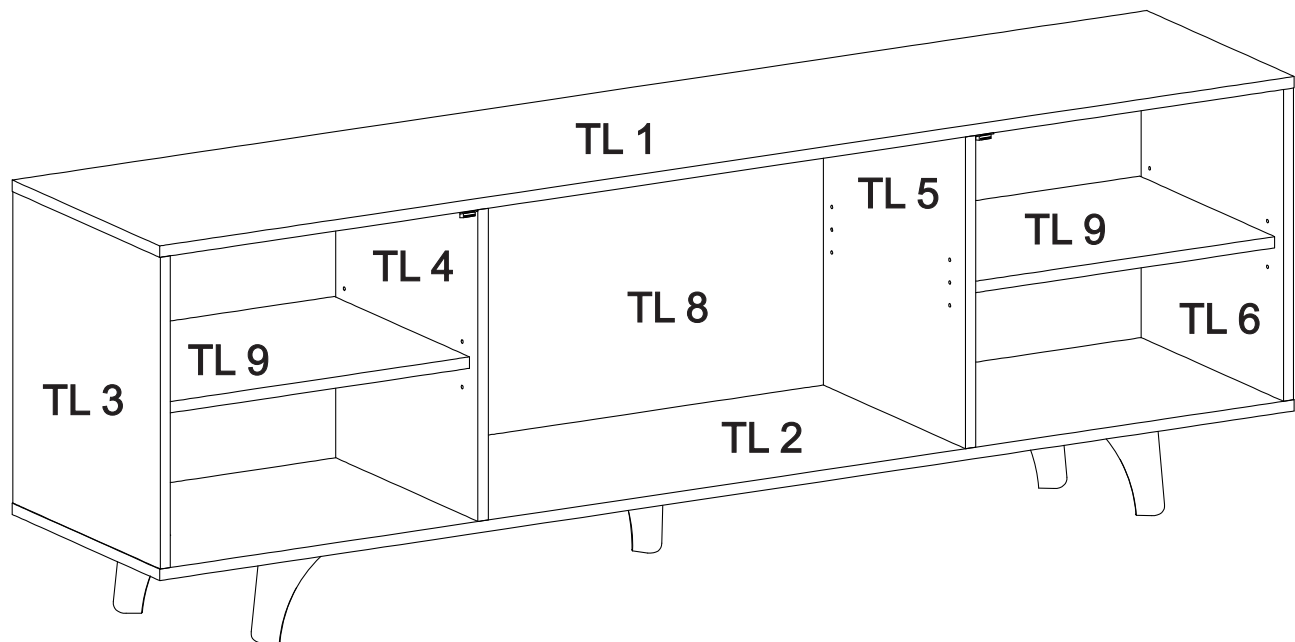
Insert shelf support pins(G) into (TL3,TL4,TL5,TL6) panel.

Step 10



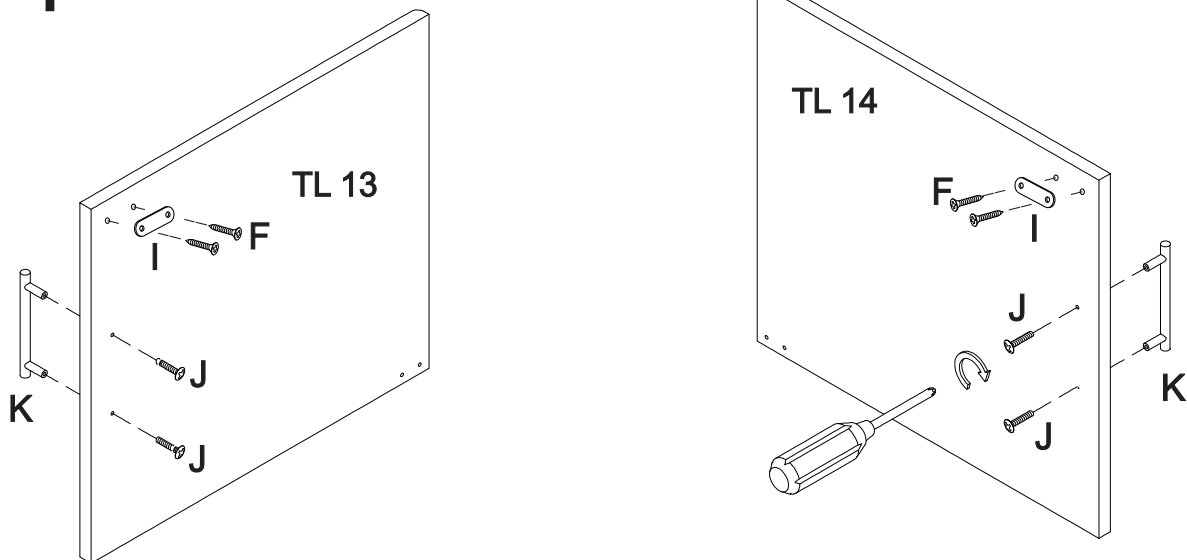
Place shelf on (TL9,) on top of support pins.

Step 11



After shelf placement diagram

Step 12

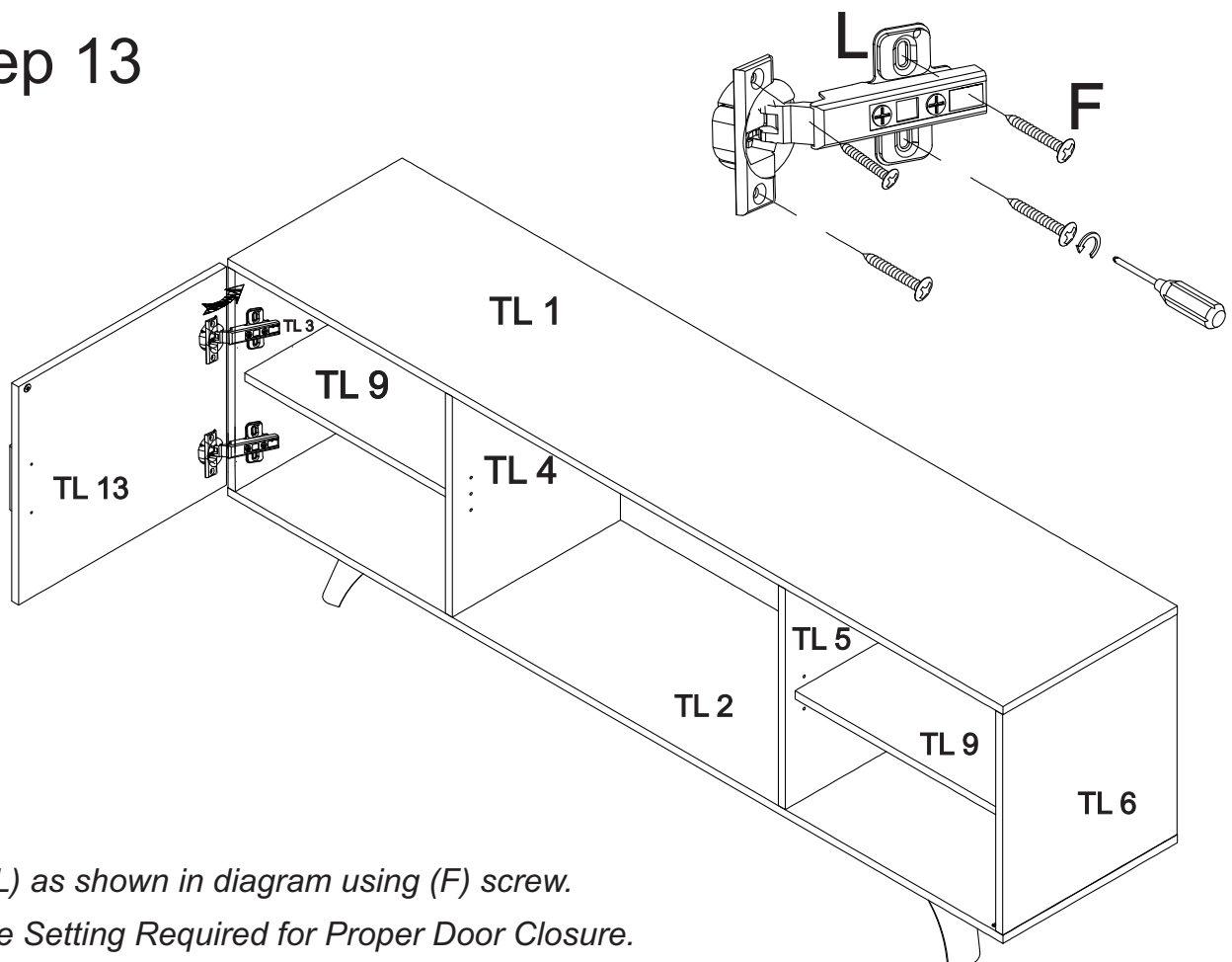


Attach handle (K) to parts (TL13, TL14) using handle screw(J) with screw driver and also magnetic catcher plate (I) with screw (F).

Detail Steps

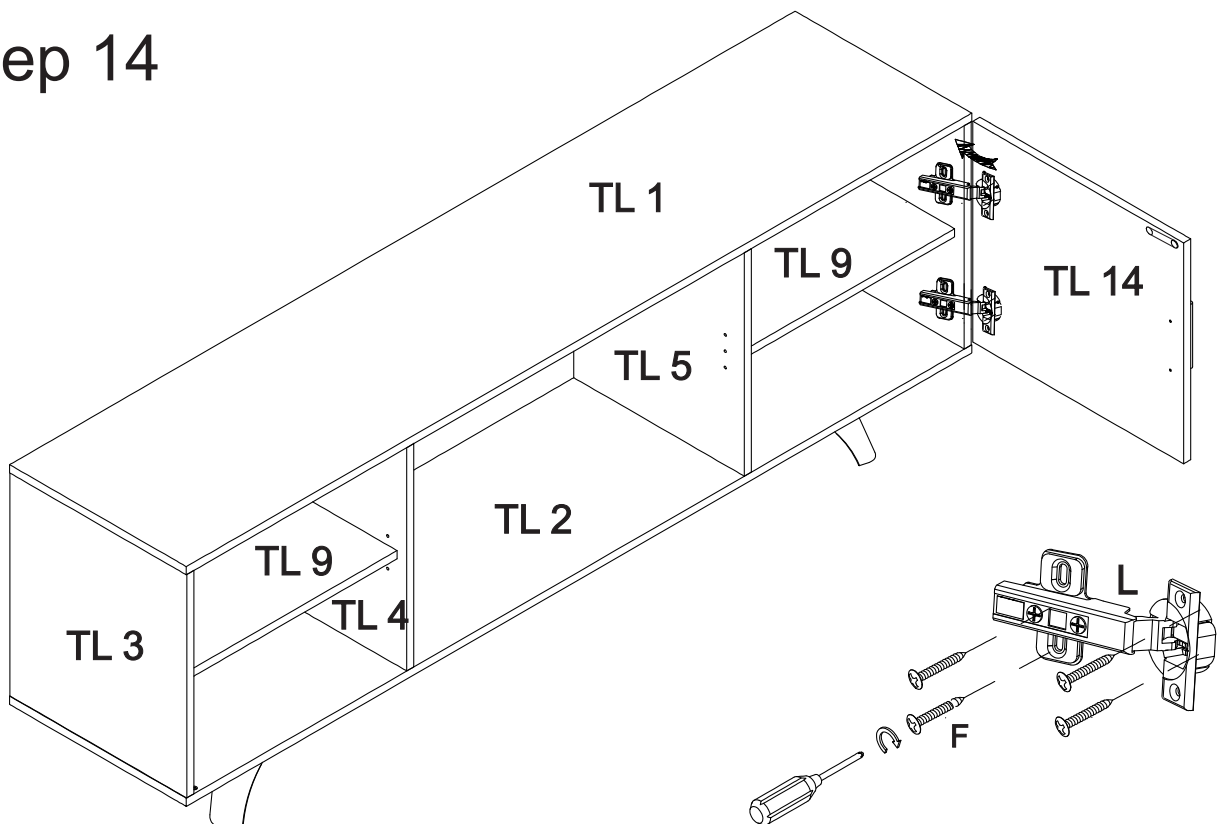
- 1. Insert screw in one of the hole meant for door handle and turn 1-2 thread only.*
- 2. Insert screw in another hole in door, match the hole in handle and turn 1-2 threads in handle.*
- 3. Once both the screw catch the threads in handle tighten both the screws equally to draw both the ends of handle in simultaneously.*

Step 13



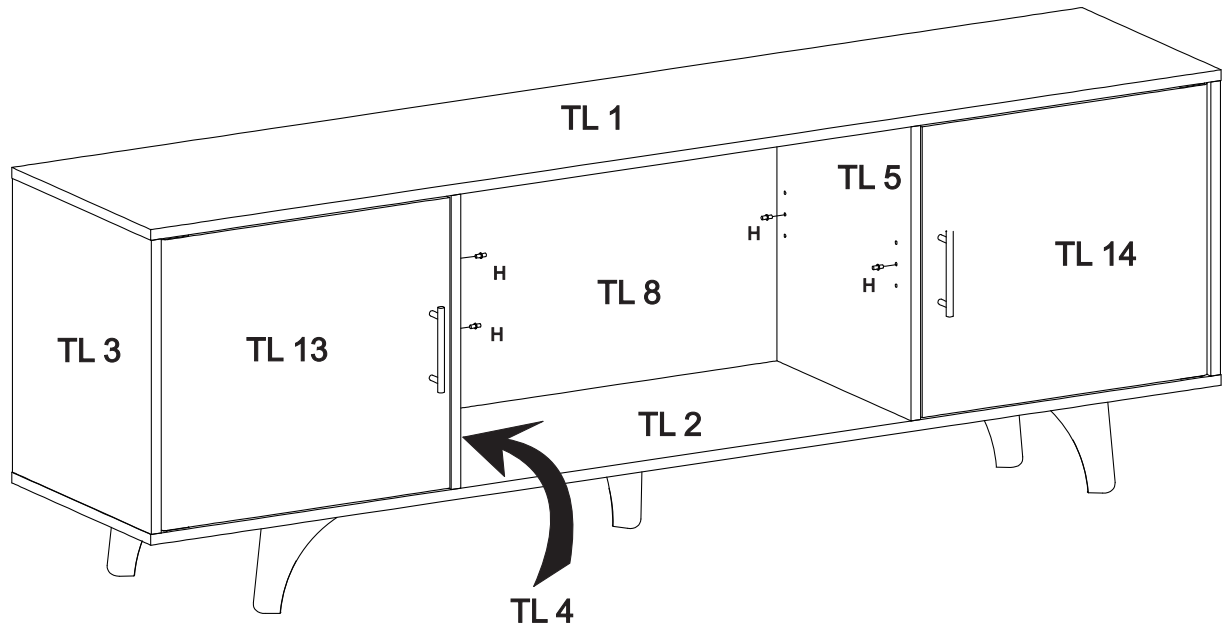
*Fix (L) as shown in diagram using (F) screw.
Hinge Setting Required for Proper Door Closure.*

Step 14



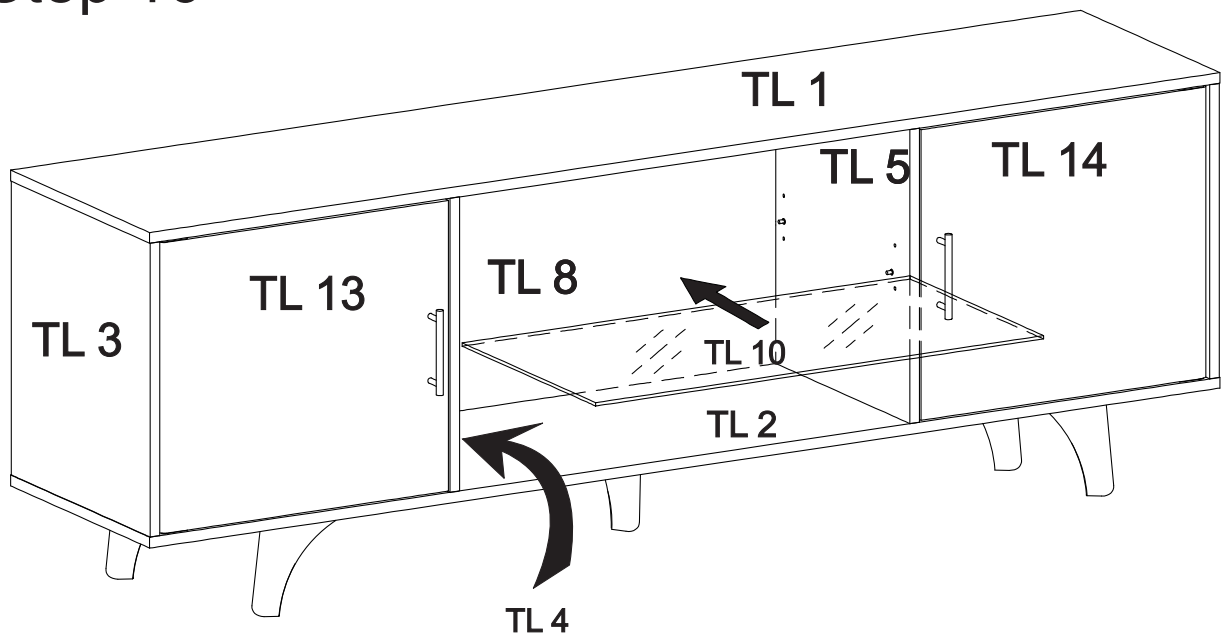
*Fix (L) as shown in diagram using (F) screw.
Hinge Setting Required for Proper Door Closure.*

Step 15



Insert glass holder(H) into part (TL4,TL5)

Step 16



Insert part (TL10) over glass holder (H) into part (TL4,TL5)

Step 17

FINAL ASSEMBLY

